



US00D851189S

(12) **United States Design Patent** (10) **Patent No.:** **US D851,189 S**
Grenestedt (45) **Date of Patent:** **** Jun. 11, 2019**

(54) **SKI SUSPENSION SYSTEM**
(71) Applicant: **Joachim Lennart Grenestedt**,
Hellertown, PA (US)
(72) Inventor: **Joachim Lennart Grenestedt**,
Hellertown, PA (US)
(**) Term: **15 Years**
(21) Appl. No.: **29/554,555**
(22) Filed: **Feb. 12, 2016**
(51) **LOC (11) Cl.** **21-02**
(52) **U.S. Cl.**
USPC **D21/771**
(58) **Field of Classification Search**
USPC D21/230, 668, 670, 671, 685, 686, 694,
D21/698, 760, 761, 762, 763, 764, 765,
D21/766, 769, 771, 772, 773, 775, 776,
D21/801, 802; 441/65, 66, 68, 69, 72,
441/73, 74, 75, 79; D12/1, 6, 9;
280/11.3, 11.31, 28.14, 22.1, 28.15, 230,
280/229, 611, 613, 616, 617, 618, 601,
280/602, 603, 604, 605, 606, 608, 610,
280/629, 631, 632, 628, 623, 625
CPC A63C 5/04
See application file for complete search history.

4,865,572 A * 9/1989 Andes B62B 13/043
441/72
5,083,809 A * 1/1992 Stampacchia A63C 5/02
280/14.21
5,232,241 A * 8/1993 Knott A63C 5/075
280/607

(Continued)

FOREIGN PATENT DOCUMENTS

CA 131160 * 3/2010

OTHER PUBLICATIONS

“NPL 1,” (via nbcolympics.com), available Mar. 14, 2018, [online],
[site visited Aug. 29, 2018]. Video available from internet, <URL:http://
www.nbcolympics.com/video/paralympics-usas-tyler-walker-wins-
giant-slalom-silver> (Year: 2018).*

(Continued)

Primary Examiner — Cathron C Brooks
Assistant Examiner — Katrina N Gonzalez

(57) **CLAIM**

The ornamental design for the ski suspension system, as
shown and described.

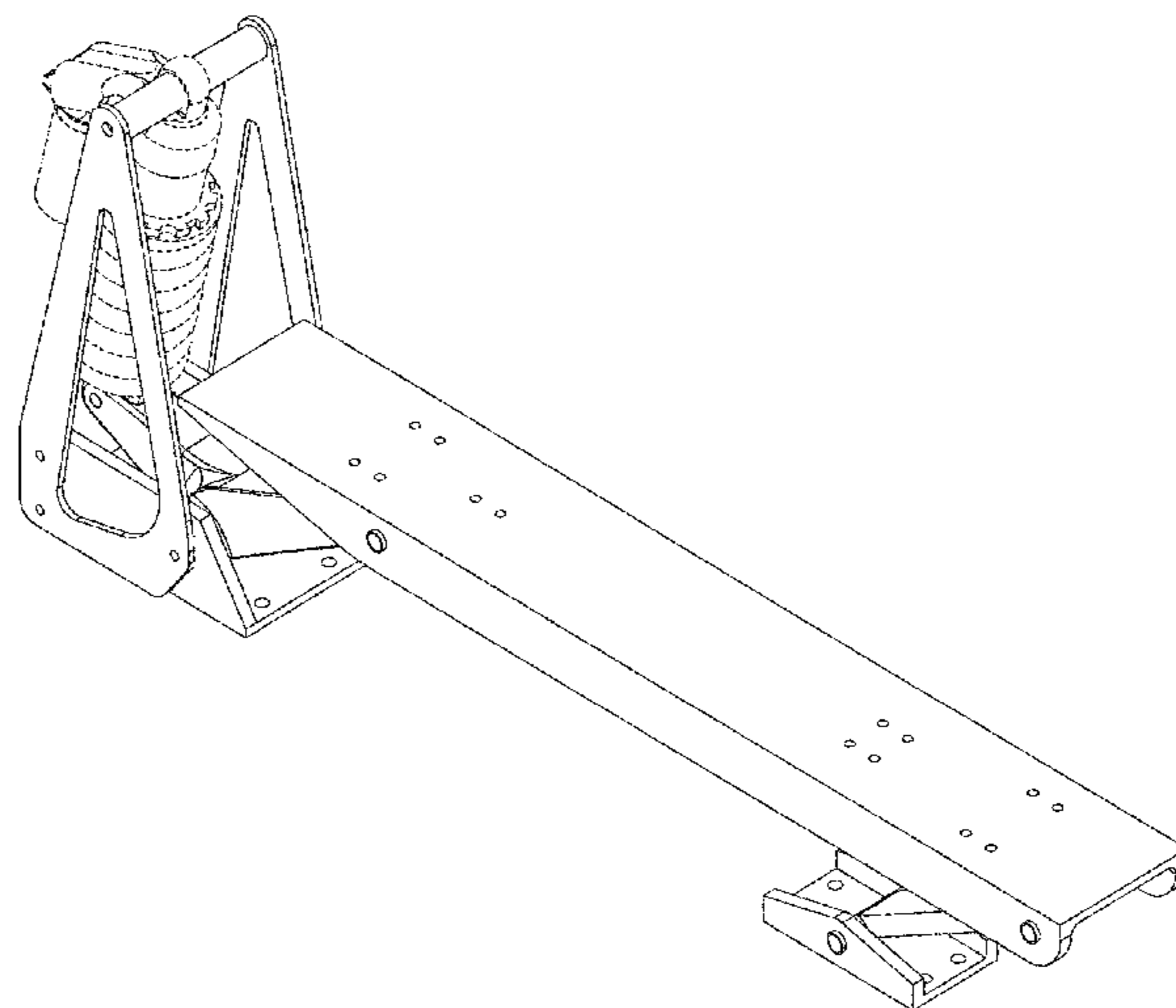
DESCRIPTION

FIG. 1 is a left side perspective view of the ski suspension
system, showing my new design;
FIG. 2 is another left side perspective view thereof;
FIG. 3 is a top plan view thereof;
FIG. 4 is a left side elevational view thereof;
FIG. 5 is a front elevational view thereof;
FIG. 6 is a rear elevational view thereof; and,
FIG. 7 is a left side perspective view thereof, shown with
environmental structure.
The broken lines showing a ski illustrate environmental
structure. All other broken lines illustrate portions of the
claimed design. The broken lines form no part of the claimed
design.

1 Claim, 7 Drawing Sheets

(56) **References Cited**
U.S. PATENT DOCUMENTS

1,509,793 A * 9/1924 Thompson A63B 21/023
482/79
3,317,217 A * 5/1967 Poiger A63C 9/0842
280/632
3,441,286 A * 4/1969 Grood A63C 9/0842
280/628
3,897,077 A * 7/1975 Schweizer A63C 9/086
280/618
D284,784 S * 7/1986 Mermillod D21/773



(56)

References Cited

U.S. PATENT DOCUMENTS

5,687,982 A * 11/1997 Challande A63C 5/07
 280/607
 6,499,761 B1 * 12/2002 Quellais A63C 1/28
 280/11.3
 7,494,134 B2 * 2/2009 Mann A63C 5/02
 280/11.14
 7,537,221 B2 * 5/2009 Lasala B62B 13/04
 280/11.12
 D631,107 S * 1/2011 Gillis D21/685
 D659,779 S * 5/2012 Gray D21/698
 2006/0087088 A1 * 4/2006 Coles A63C 9/02
 280/11.31
 2007/0158935 A1 * 7/2007 Routh A63C 5/035
 280/809
 2008/0116663 A1 * 5/2008 Gyr A63C 9/20
 280/611
 2013/0300089 A1 * 11/2013 Barthel A63C 9/006
 280/631

OTHER PUBLICATIONS

“NPL 2,” available Jul. 3, 2017, [online], [site visited Mar. 14, 2018]. Available from Internet, <URL:https://www.facebook.com/

DynAccessLtd/photos/a.198032980296342/1073570412742590/?type=3&theater> (Year: 2017).*

“NPL 3,” available Feb. 19, 2016, [online], [site visited Aug. 29, 2018]. Available from Internet, <URL:https://www.facebook.com/DynAccessLtd/photos/a.198032980296342/729480590484909/?type=3&theater> (Year: 2016).*

“NPL 4,” available Nov. 30, 2013, [online], [site visited Aug. 29, 2018]. Available from Internet, <URL:https://www.facebook.com/DynAccessLtd/photos/a.429415867158051/429590850473886/?type=3&theater> (Year: 2013).*

“NPL 5,” available Apr. 16, 2013, [online], [site visited Aug. 29, 2018]. Available from Internet, <URL:https://www.facebook.com/DynAccessLtd/photos/a.352466558186316/352467938186178/?type=3&theater> (Year: 2013).*

“NPL 6,” available May 24, 2010, [online], [site visited Sep. 4, 2018]. Available from Internet, <URL:https://gearjunkie.com/suspension-system-skis> (Year: 2010).*

“NPL 7,” available Mar. 13, 2015, [online], [site visited Sep. 4, 2018]. Available from Internet, <URL:http://cs.amsnow.com/sno/b/sno/archive/2015/03/13/new-ezryde-trail-suspension-is-here.aspx> (Year: 2015).*

* cited by examiner

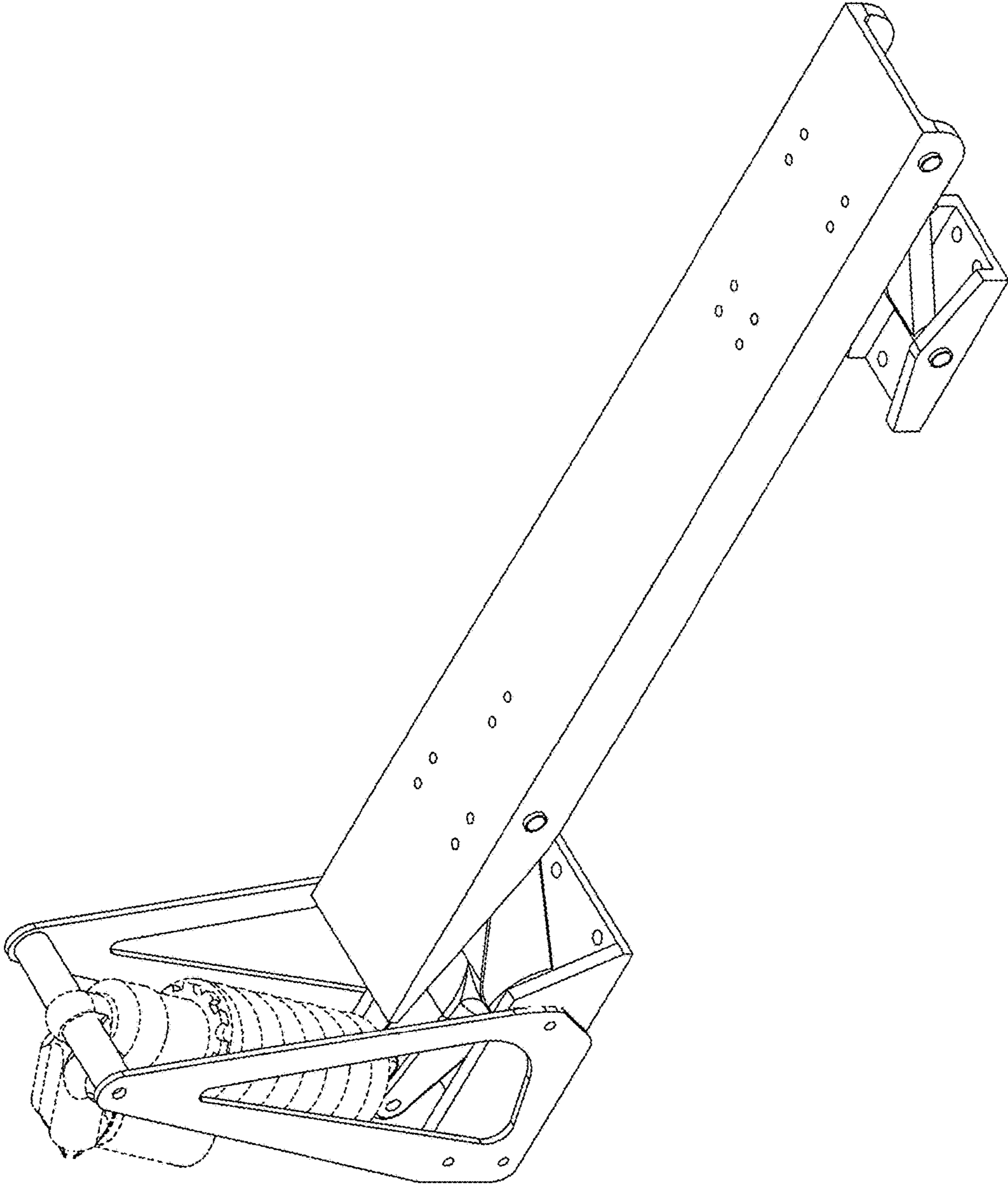


FIG. 1

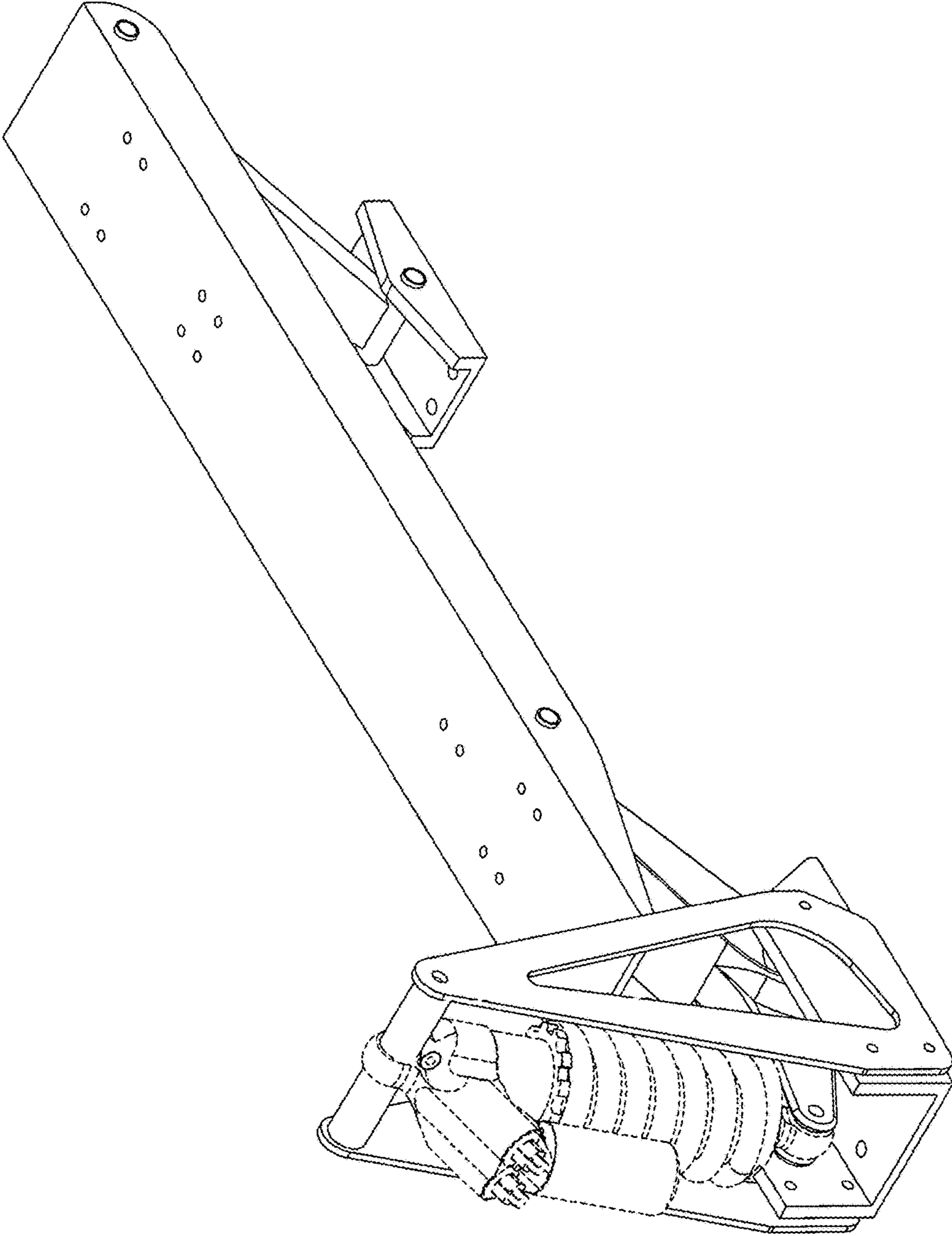


FIG. 2

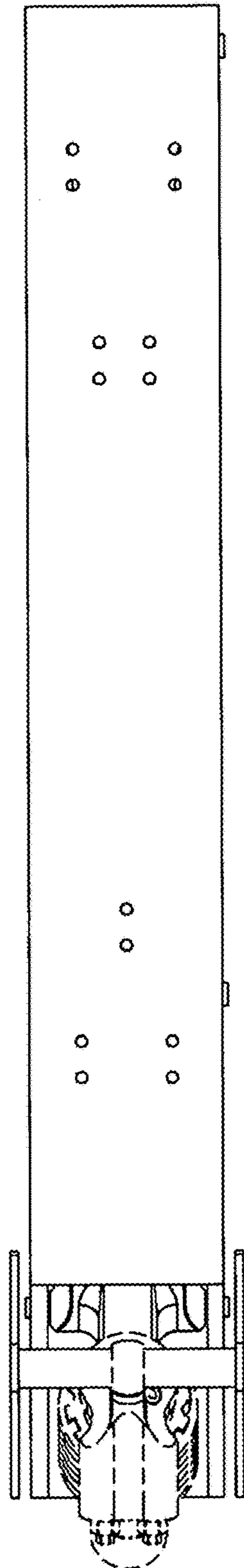


FIG. 3

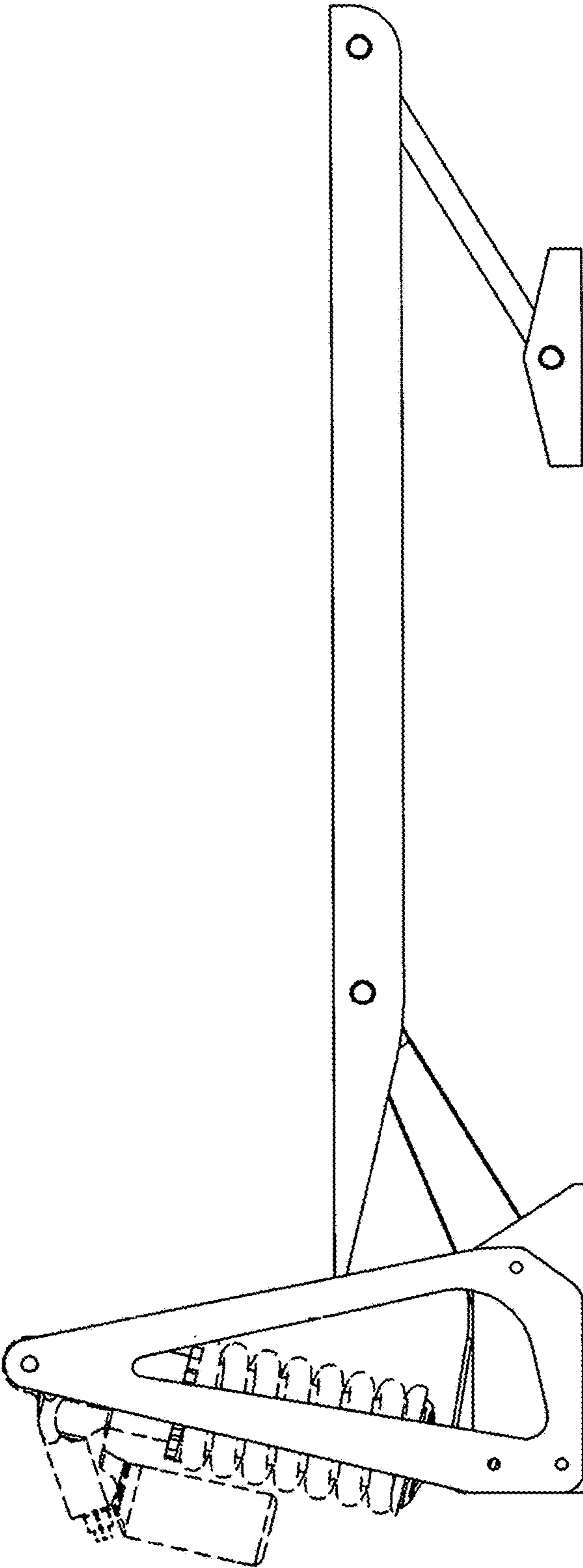


FIG. 4

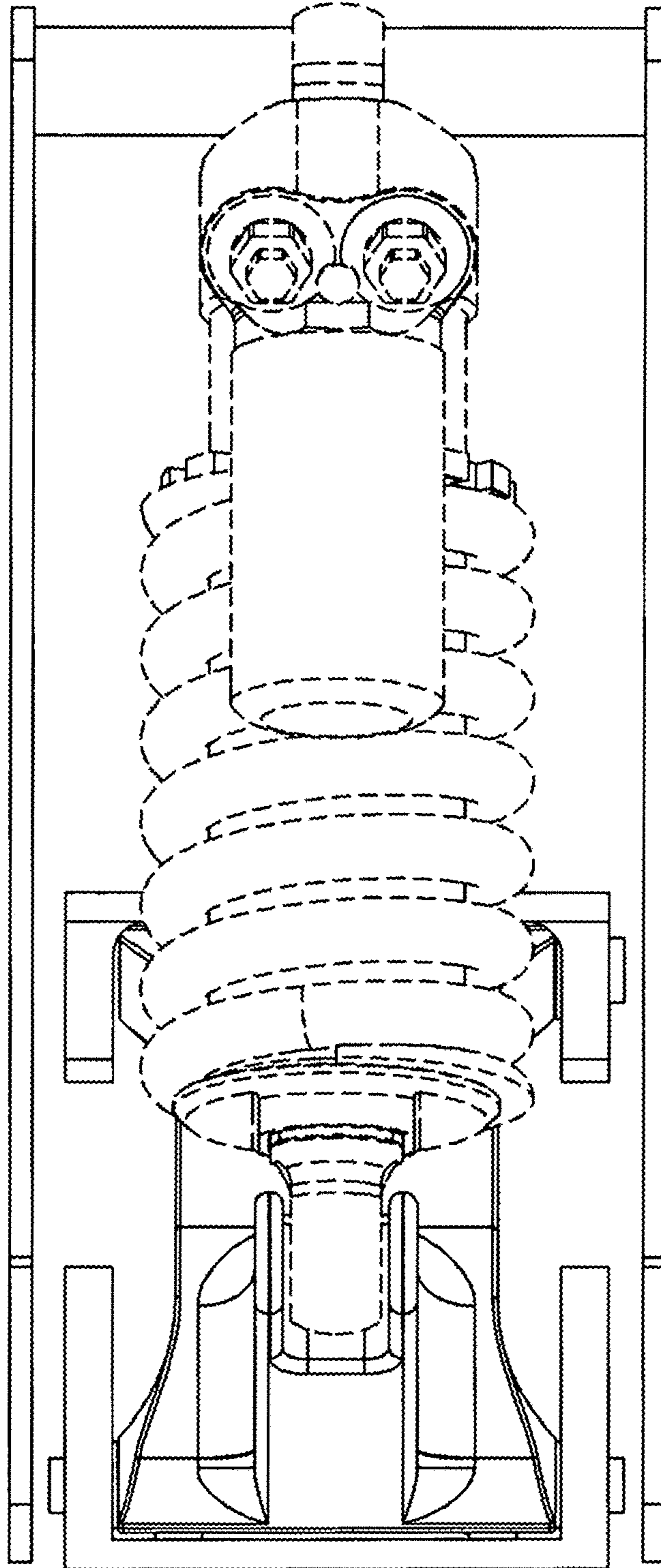


FIG. 5

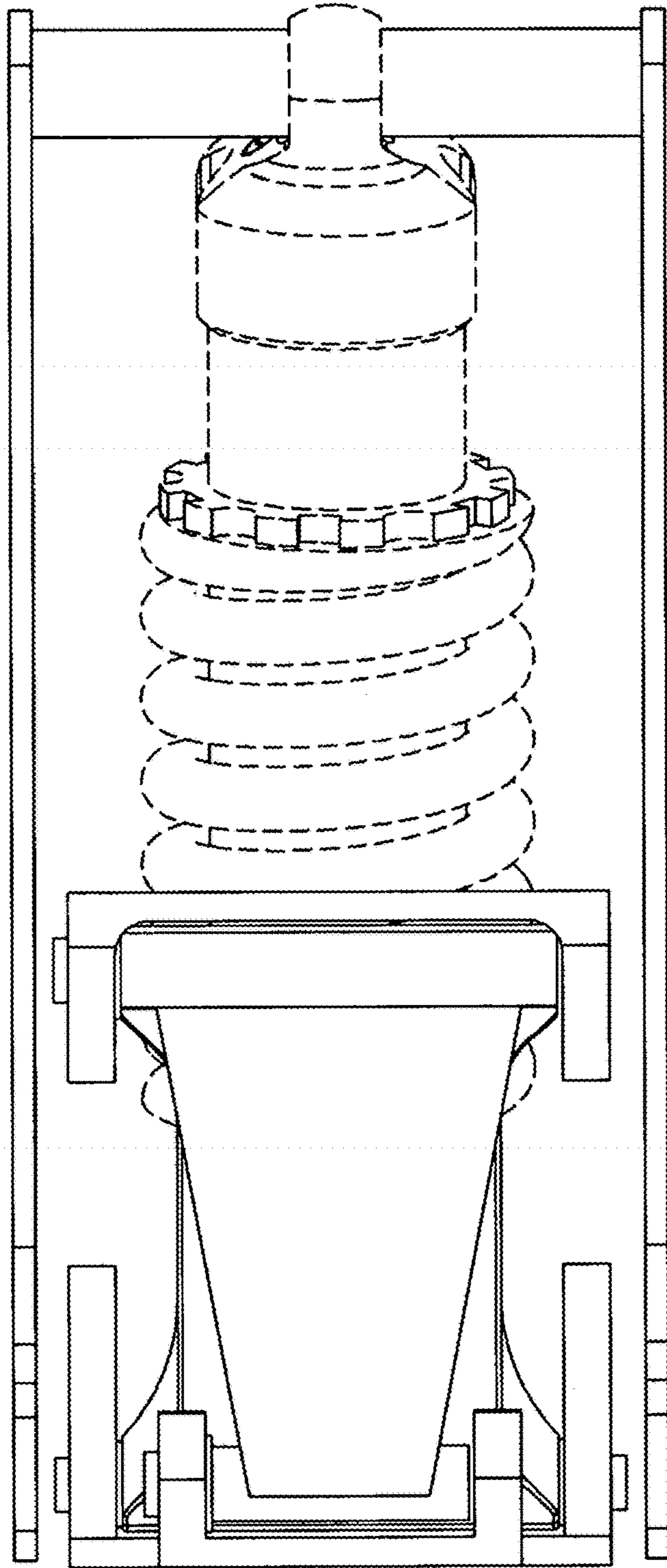


FIG. 6

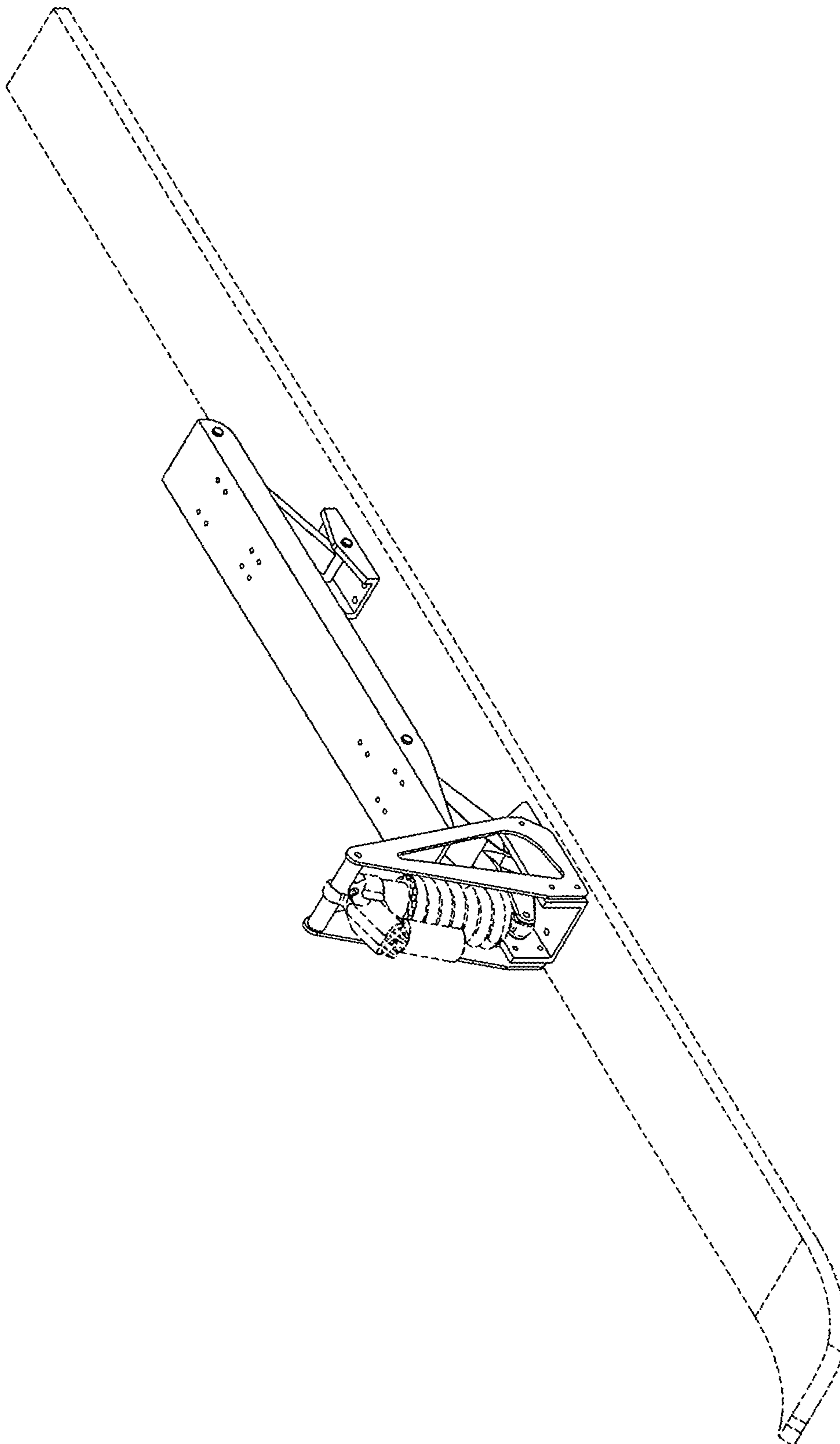


FIG. 7