



US00D851188S

(12) **United States Design Patent** (10) **Patent No.:** **US D851,188 S**
Cokewell (45) **Date of Patent:** **** Jun. 11, 2019**

(54) **HEXAGONAL PUTTER GRIP**
(71) Applicant: **Mark Cokewell**, Tarpon Springs, FL (US)
(72) Inventor: **Mark Cokewell**, Tarpon Springs, FL (US)
(**) Term: **15 Years**
(21) Appl. No.: **29/631,942**
(22) Filed: **Jan. 4, 2018**
(51) **LOC (11) Cl.** **21-02**
(52) **U.S. Cl.**
USPC **D21/756**
(58) **Field of Classification Search**
USPC D21/756-758
CPC A63B 60/06-60/34; A63B 60/00; A63B 60/46; A63B 59/20; A63B 59/40; A63B 59/60-59/80; A63B 49/00-49/14; A63B 53/00-53/14
See application file for complete search history.

(56) **References Cited**
U.S. PATENT DOCUMENTS
D295,207 S * 4/1988 Mahaffey D21/756
D321,546 S * 11/1991 DeLuca D21/756
D366,920 S * 2/1996 DeLuca D21/756
D399,282 S * 10/1998 Jarrett D27/756
D399,901 S * 10/1998 Beyer D21/756
D495,020 S * 8/2004 Ferris D21/756
D621,463 S * 8/2010 Cokewell D21/756
D680,605 S * 4/2013 Garsen D21/756
D686,288 S * 7/2013 Threbank D21/756
D728,717 S * 5/2015 Cokewell D21/756
D768,251 S * 10/2016 Giannatti D21/756
D772,361 S * 11/2016 Giannatti D21/756
D774,611 S * 12/2016 Nunn D21/756
D810,851 S * 2/2018 Giannatti D21/756
D816,177 S * 4/2018 Garsen D21/756
D836,737 S * 12/2018 Breeden, III D21/756

* cited by examiner

Primary Examiner — Mitchell I. Siegel
(74) *Attorney, Agent, or Firm* — Larson & Larson, P.A.; Frank Liebenow; Justin P. Miller

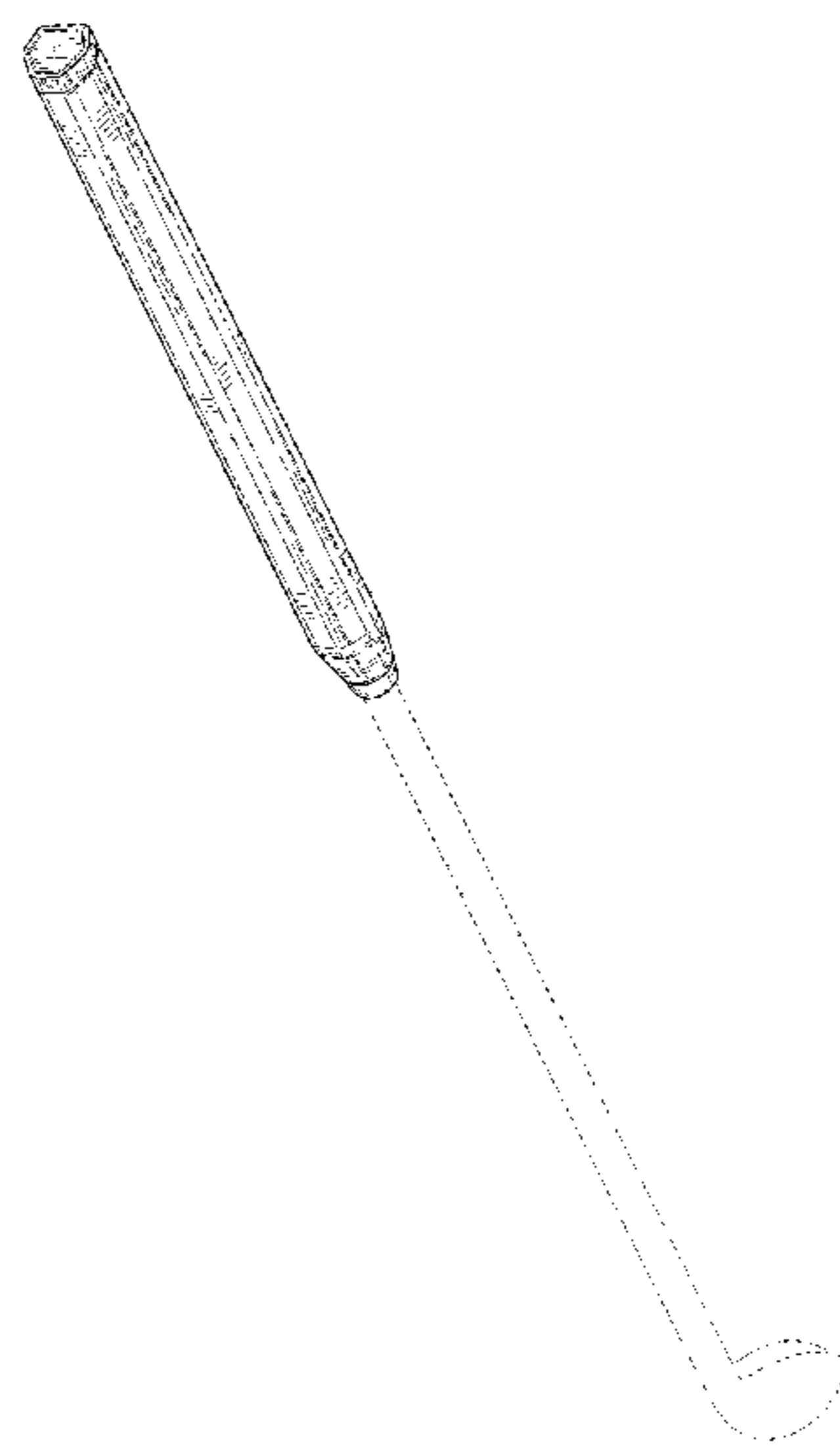
(57) **CLAIM**

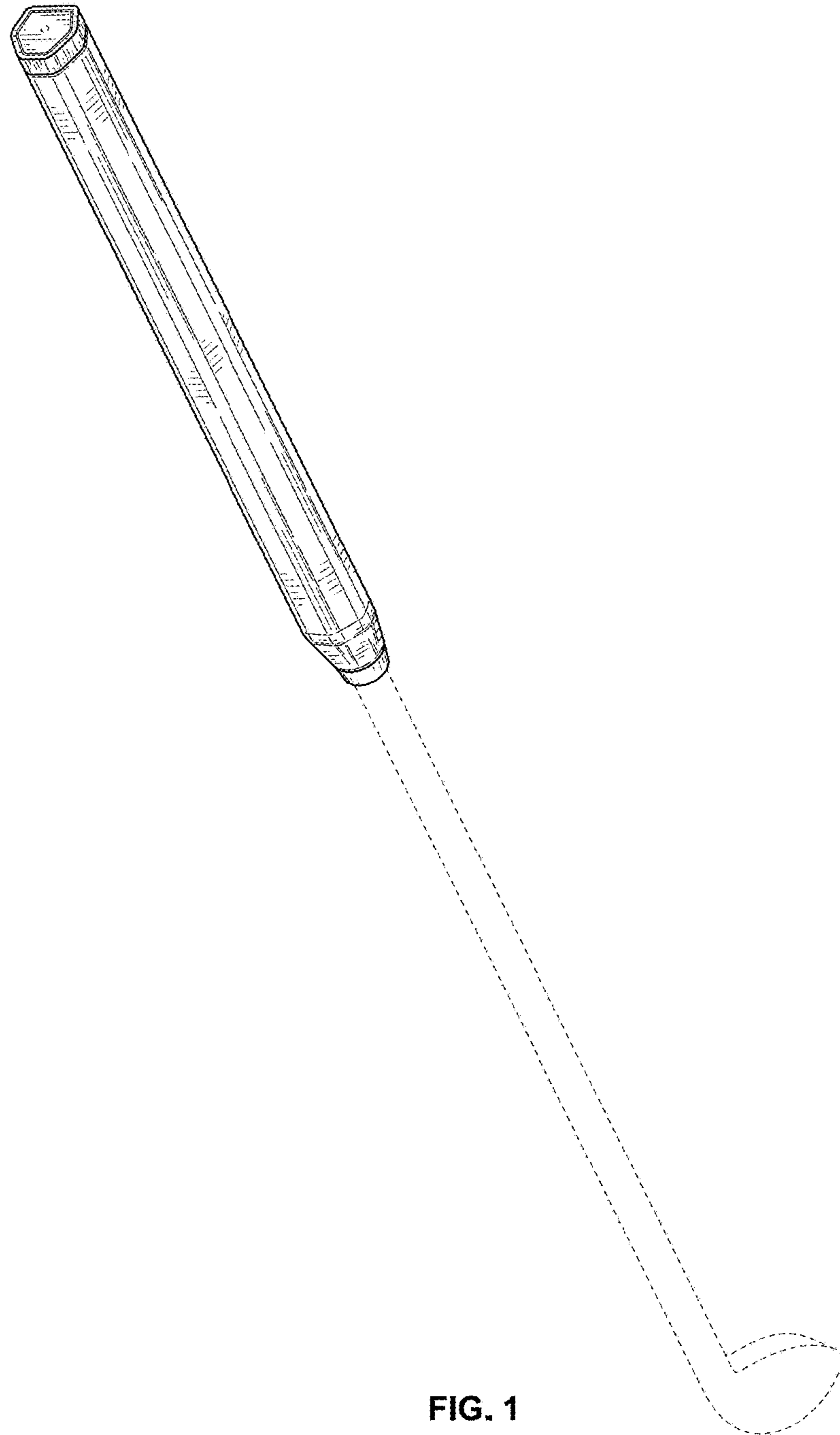
I claim the ornamental design for a hexagonal putter grip, as shown and described.

DESCRIPTION

FIG. 1 is a first perspective view of a hexagonal putter grip showing my new design;
FIG. 2 is a second perspective view thereof;
FIG. 3 is a top view thereof;
FIG. 4 is a bottom view thereof;
FIG. 5 is a right-side view thereof;
FIG. 6 is a left-side view thereof;
FIG. 7 is a front view thereof;
FIG. 8 is a back view thereof;
FIG. 9 is a first perspective view thereof showing indeterminate dimensions;
FIG. 10 is a second perspective view thereof showing indeterminate dimensions;
FIG. 11 is a top view thereof;
FIG. 12 is a bottom view thereof;
FIG. 13 is a right-side view thereof;
FIG. 14 is a left-side view thereof;
FIG. 15 is a front view thereof; and,
FIG. 16 is a back view thereof.
The broken lines depicting part of a shaft and club head in FIGS. 1 and 9 are for the purpose of illustrating environmental structure and form no part of the claimed design.
The broken lines depicting an exemplary air vent in FIGS. 1, 2, and 3 form no part of the claimed design.
The broken away symbols in the drawings indicate the appearance of any portion of the article between the break lines forms no part of the claimed design.

1 Claim, 8 Drawing Sheets





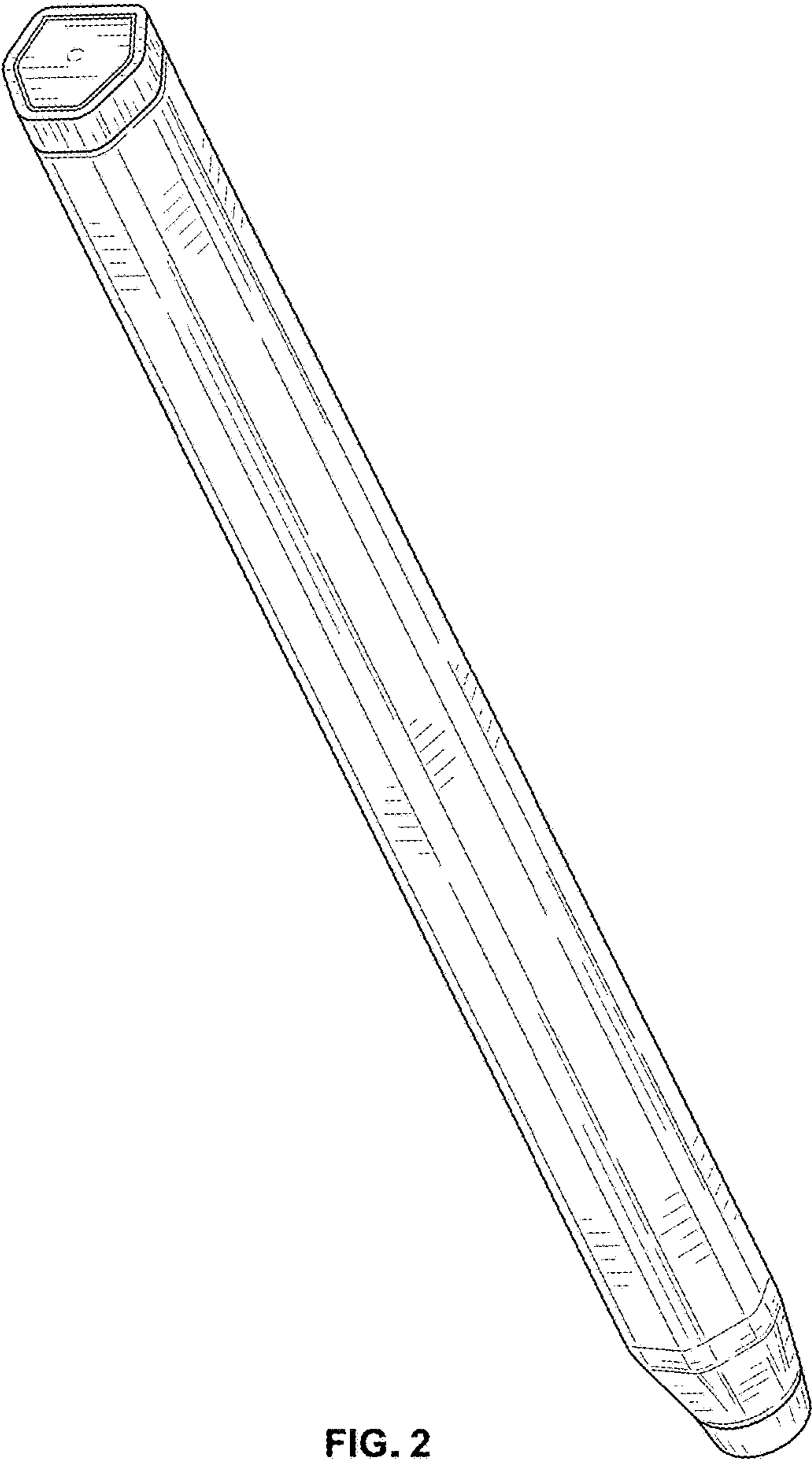


FIG. 2

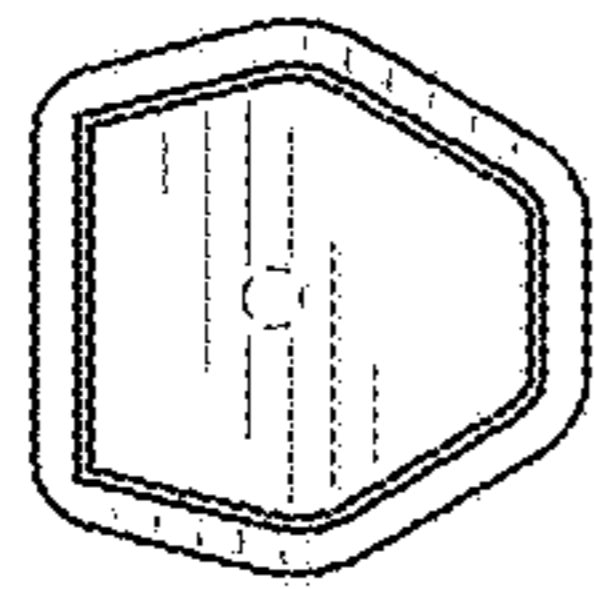


FIG. 3

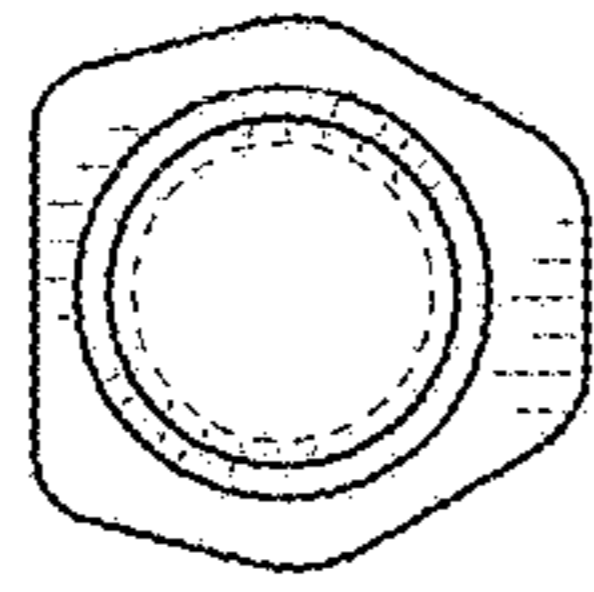


FIG. 4

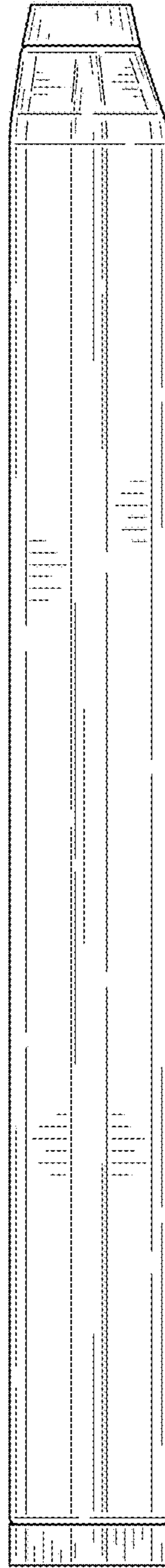


FIG. 5

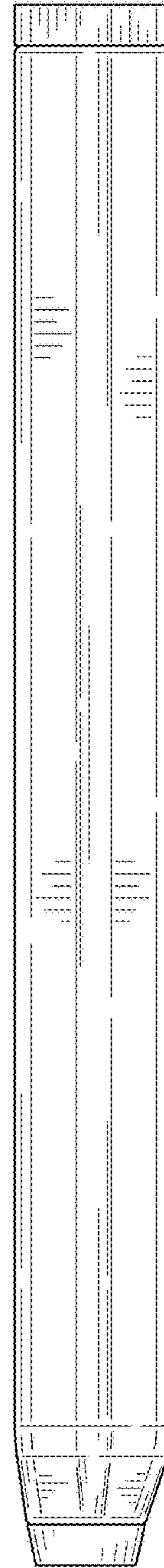


FIG. 6

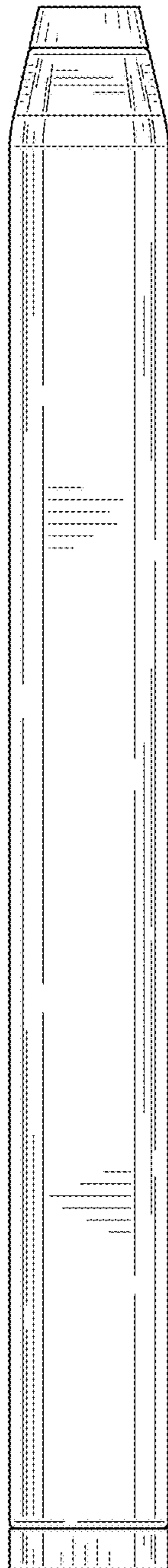


FIG. 7

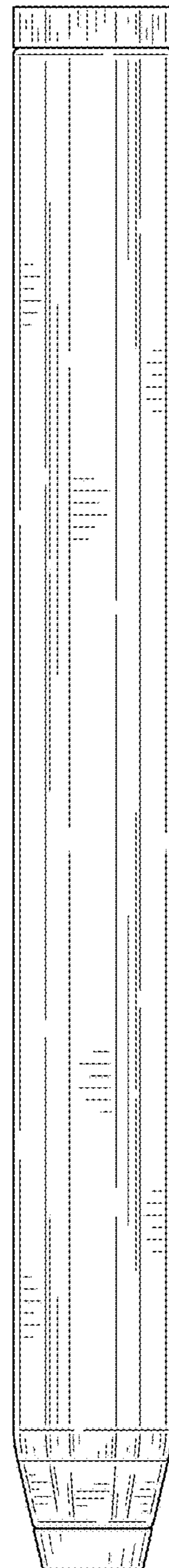


FIG. 8

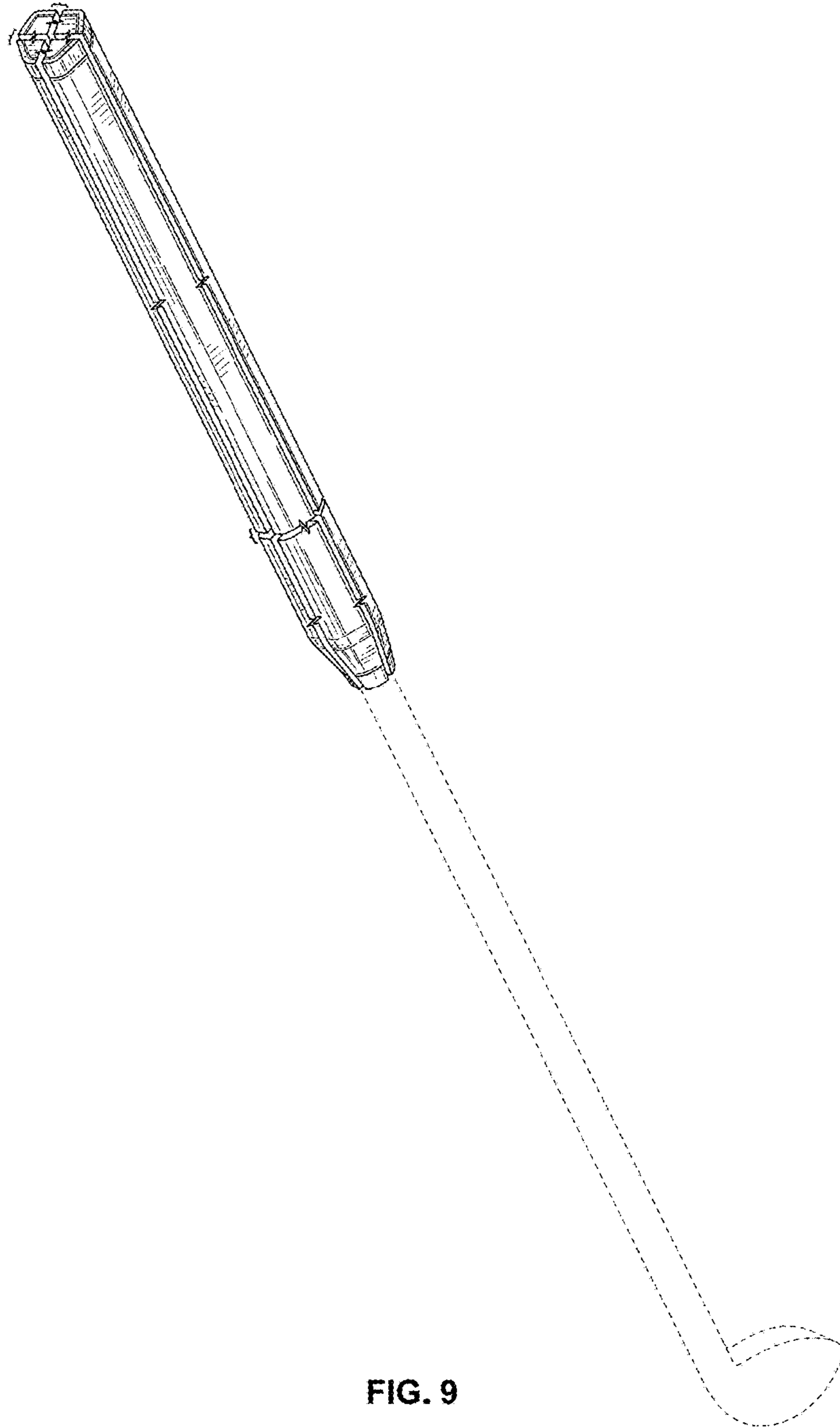


FIG. 9

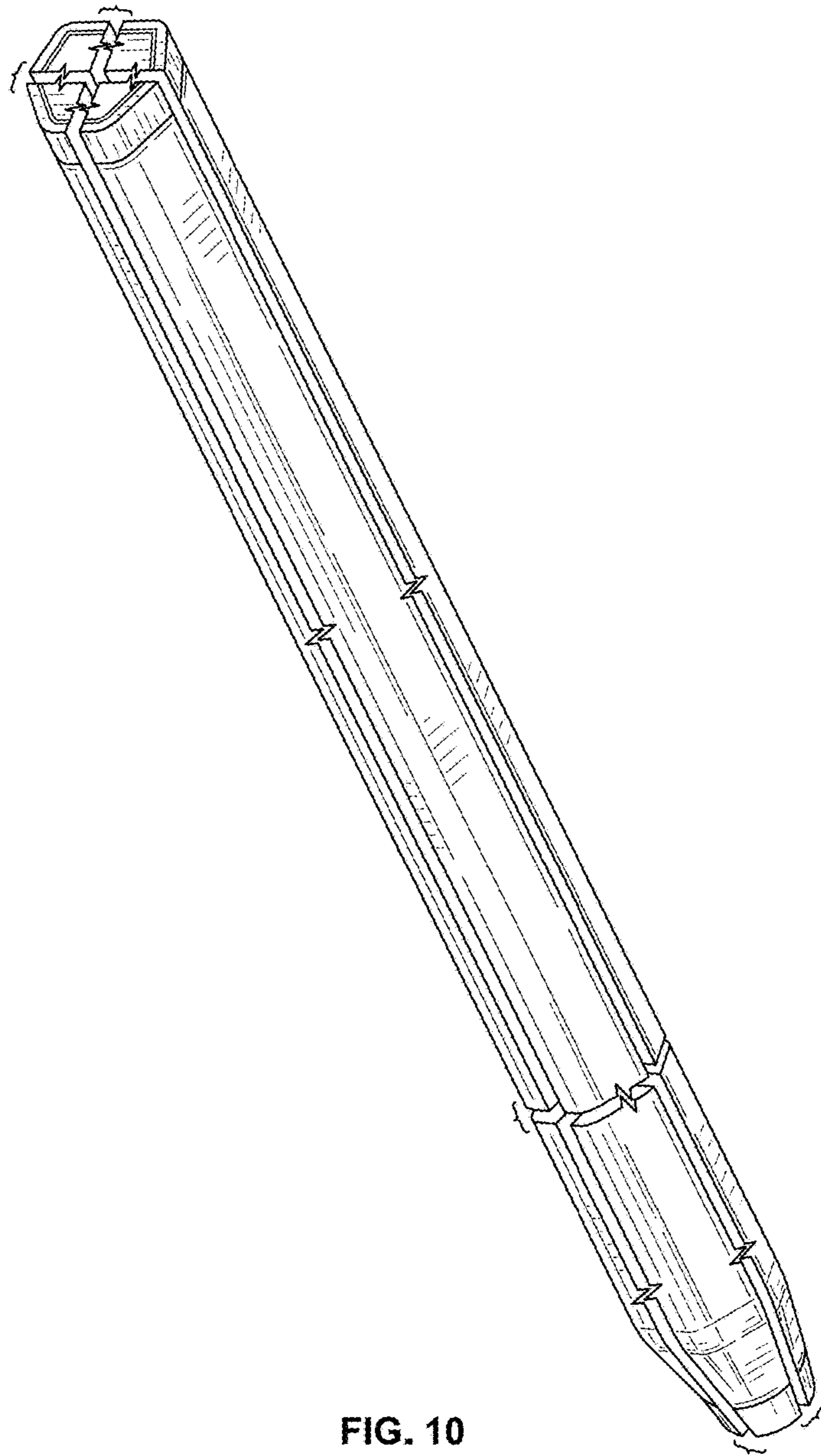


FIG. 10

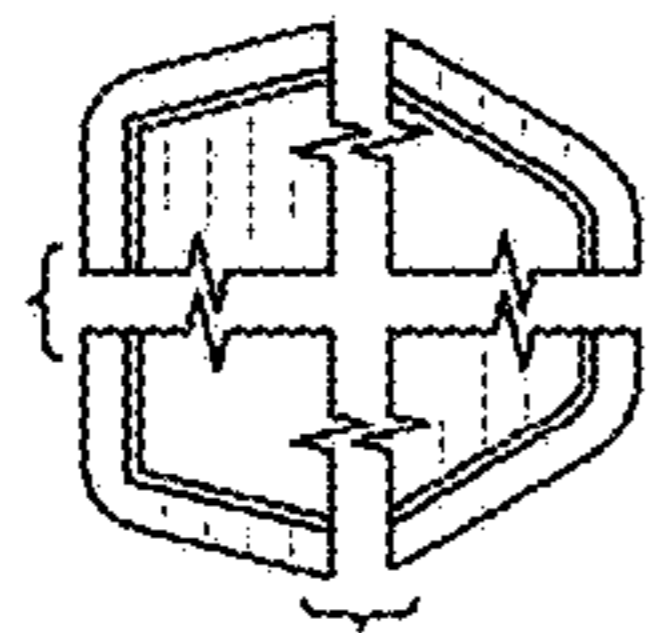


FIG. 11

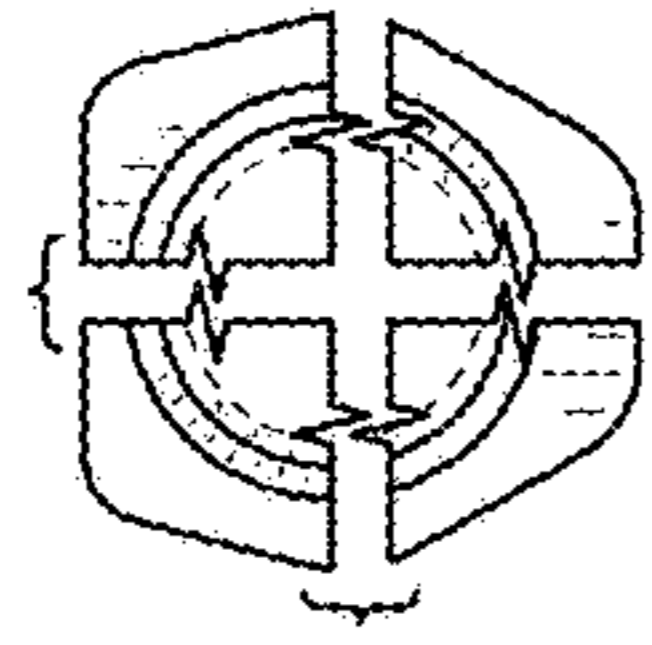


FIG. 12

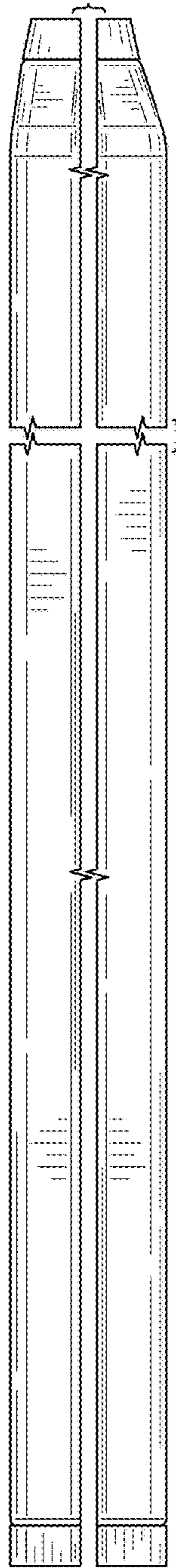


FIG. 13

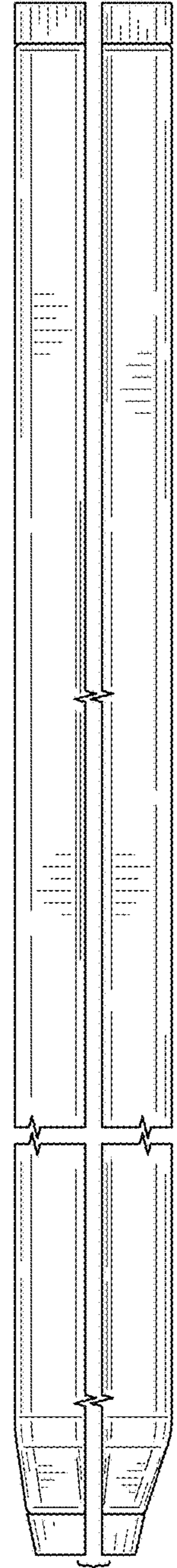


FIG. 14

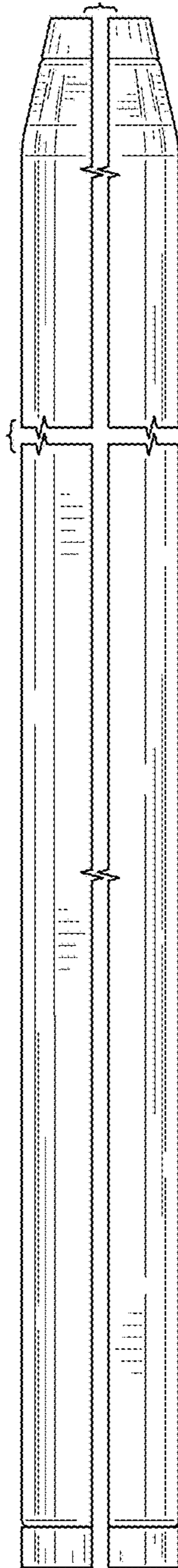


FIG. 15

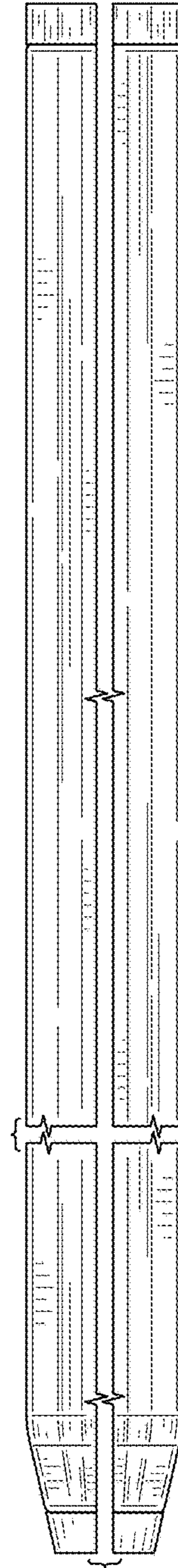


FIG. 16