



US00D851187S

(12) **United States Design Patent**
Leier et al.

(10) **Patent No.:** **US D851,187 S**
(45) **Date of Patent:** **** Jun. 11, 2019**

(54) **FOOT PLATFORM FOR EXERCISE APPARATUS**

(71) Applicant: **EXPECTATIONS, LLC**, Puyallup, WA (US)

(72) Inventors: **Christopher Henry Leier**, Puyallup, WA (US); **Lopin Wang**, Taichung (TW)

(73) Assignee: **Expectations, LLC**, Buckley, WA (US)

(**) Term: **15 Years**

(21) Appl. No.: **29/627,528**

(22) Filed: **Nov. 28, 2017**

(51) **LOC (11) Cl.** **21-02**

(52) **U.S. Cl.**
USPC **D21/694**

(58) **Field of Classification Search**
USPC 482/92, 93, 94, 95, 96, 97, 99, 100, 133, 482/135, 138, 140, 142; D21/662, 673, D21/674, 675, 676, 679, 681, 686, 687, D21/690, 691
CPC A63B 21/4034; A63B 2208/0204; A61H 1/005
See application file for complete search history.

(56) **References Cited**

U.S. PATENT DOCUMENTS

D333,688 S *	3/1993	Beyer	D12/125
D369,389 S *	4/1996	Beyer	D12/114
D471,605 S *	3/2003	Teff	D21/662
D493,500 S *	7/2004	Dalebout	D21/671
D519,172 S *	4/2006	Penat	D21/671
7,052,449 B2 *	5/2006	Chen	A63B 21/0004 482/142
D624,615 S *	9/2010	Kusmierz	D21/686
D627,015 S *	11/2010	Senegal	D21/662
D630,687 S *	1/2011	Meinel	D21/662
D680,599 S *	4/2013	Orenstein	D21/671

D695,367 S *	12/2013	Lovegrove	D21/671
D717,381 S *	11/2014	Orenstein	D21/671
9,011,295 B2 *	4/2015	Orenstein	A63B 23/0458 482/142
9,095,738 B2 *	8/2015	Senegal	A63B 22/18
D738,444 S *	9/2015	Hilson	D21/662
D763,975 S *	8/2016	Orenstein	D21/662
D779,000 S *	2/2017	Olson	D21/686
D792,532 S *	7/2017	Olson	D21/686
D798,397 S *	9/2017	Bellevue	D21/686
D803,958 S *	11/2017	Clark	D21/687
D808,476 S *	1/2018	Olson	D21/694
D813,961 S *	3/2018	Ness	D21/686
D825,697 S *	8/2018	Mercenari Uribe	D21/687
D827,060 S *	8/2018	Holland	D21/686
D827,061 S *	8/2018	Trenkle	D21/686
D831,133 S *	10/2018	Goldmon	D21/686

(Continued)

Primary Examiner — Cynthia Ramirez

Assistant Examiner — Michael A Maharajh

(74) *Attorney, Agent, or Firm* — Dicke, Billig & Czaja, PLLC

(57) **CLAIM**

The ornamental design for a foot platform for exercise apparatus, as shown and described herein.

DESCRIPTION

FIG. 1 is a top perspective view of a foot platform for exercise apparatus, showing our new design;

FIG. 2 is a front view thereof;

FIG. 3 is a rear view thereof;

FIG. 4 is a right side view thereof;

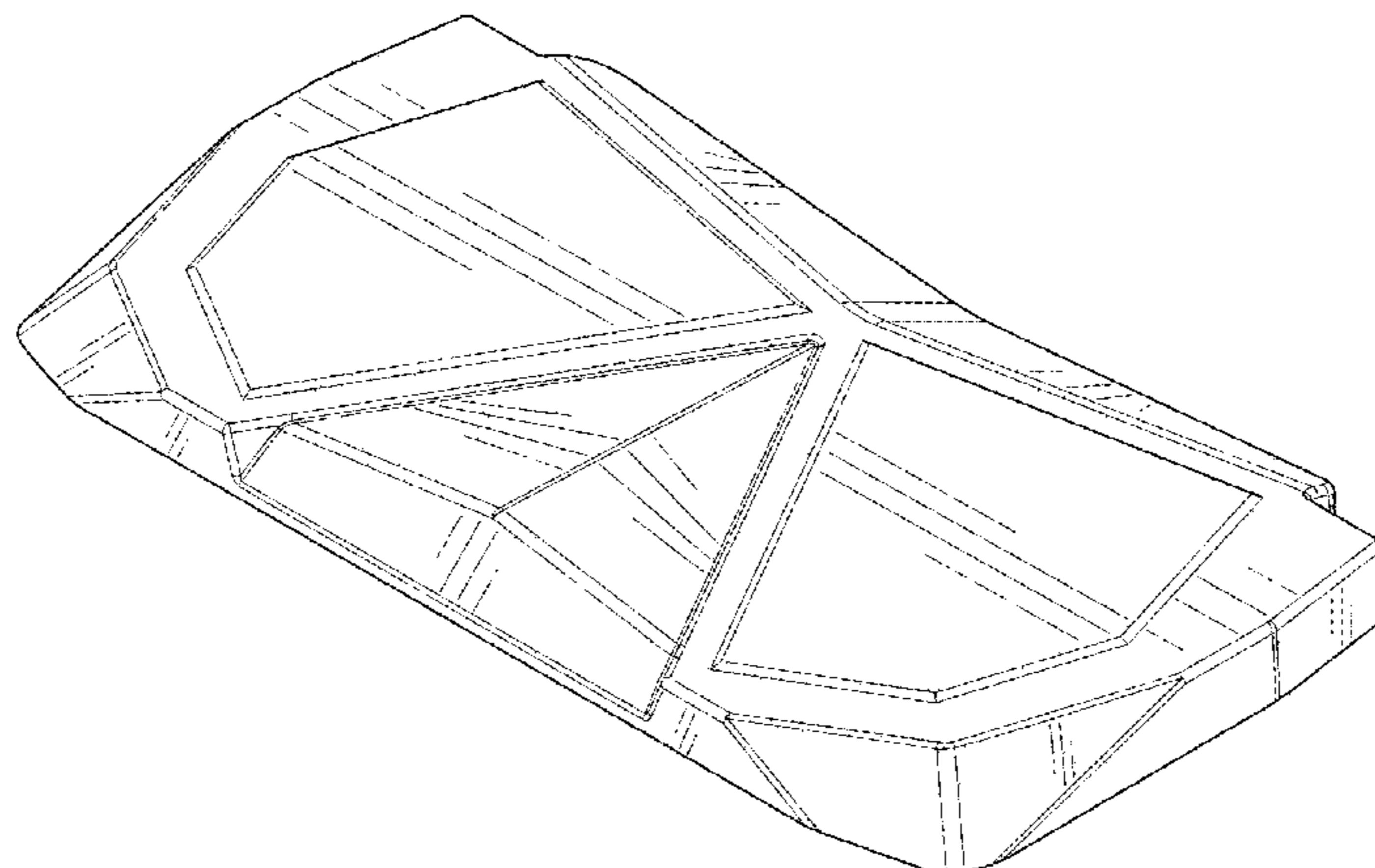
FIG. 5 is a left side view thereof;

FIG. 6 is a top view thereof; and,

FIG. 7 is a bottom view thereof.

The broken lines shown in the figures are for the purpose of illustrating portions of the foot platform for exercise apparatus, which form no part of the claimed design.

1 Claim, 7 Drawing Sheets



(56)

References Cited

U.S. PATENT DOCUMENTS

D831,134 S * 10/2018 Hillson D21/686
10,159,372 B2 * 12/2018 Heath A47G 27/0231
2006/0240955 A1 * 10/2006 Pu A61H 1/0266
482/79
2008/0039304 A1 * 2/2008 Mattox A63B 21/0004
482/130
2013/0281274 A1 * 10/2013 Ferrusi F16M 13/022
482/148
2014/0378277 A1 * 12/2014 Krullaards A43D 1/02
482/8
2017/0080284 A1 * 3/2017 Hillson A63B 23/0458
2018/0133553 A1 * 5/2018 Kramer A63B 26/003
2018/0185701 A1 * 7/2018 Butler A63B 22/14

* cited by examiner

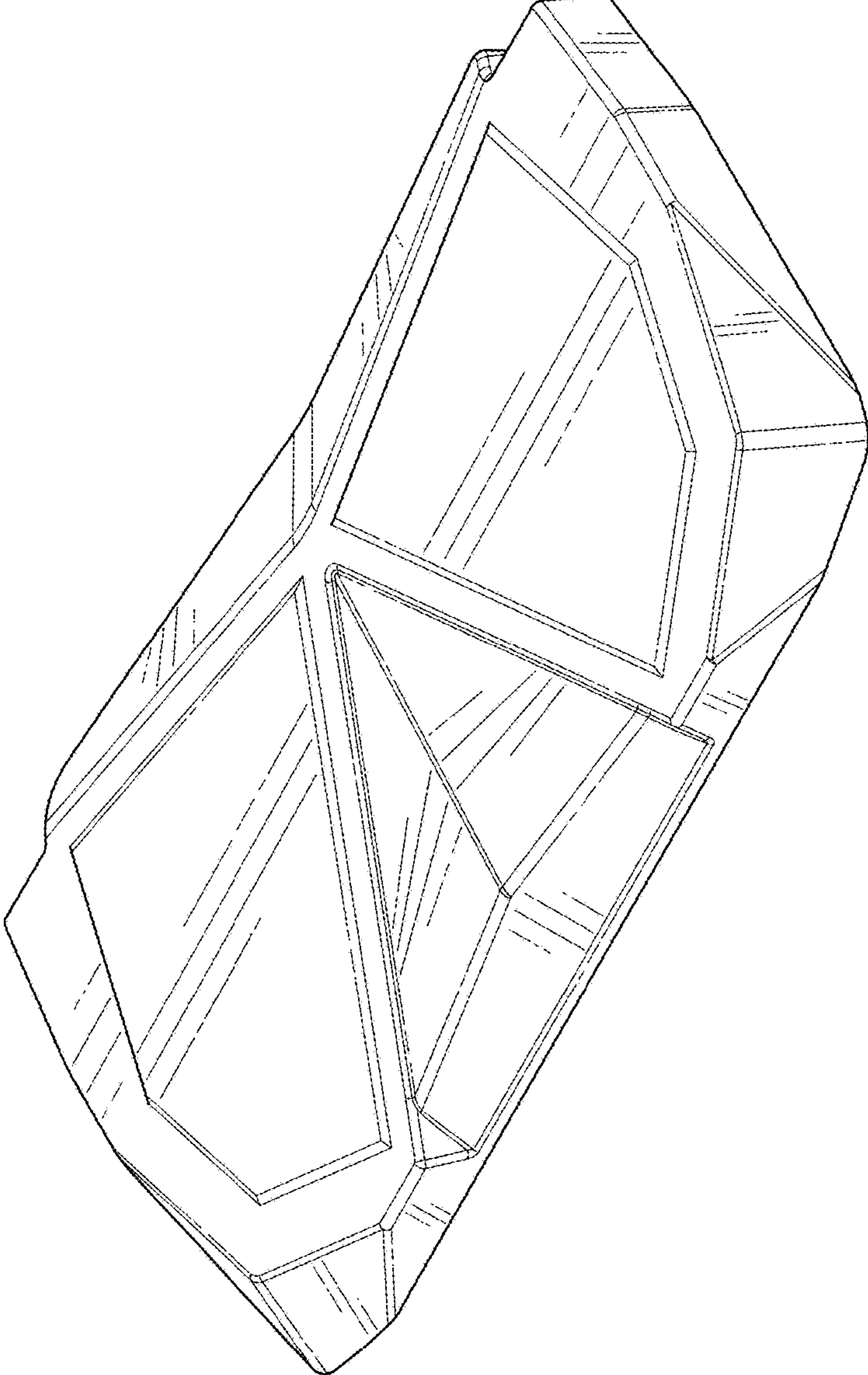


FIG. 1

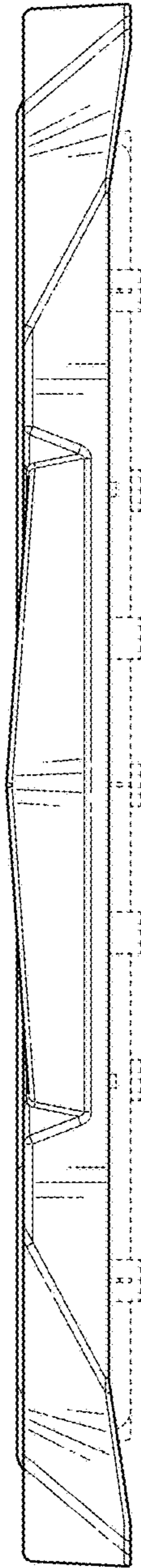


FIG. 2

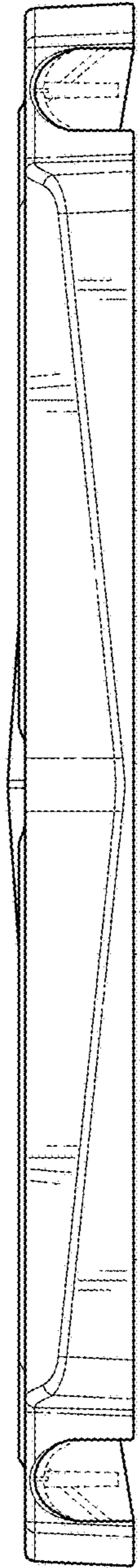


FIG. 3

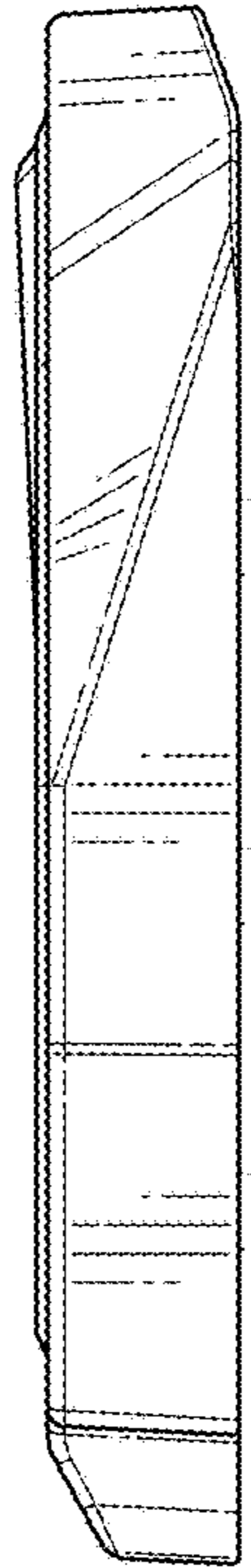


FIG. 4

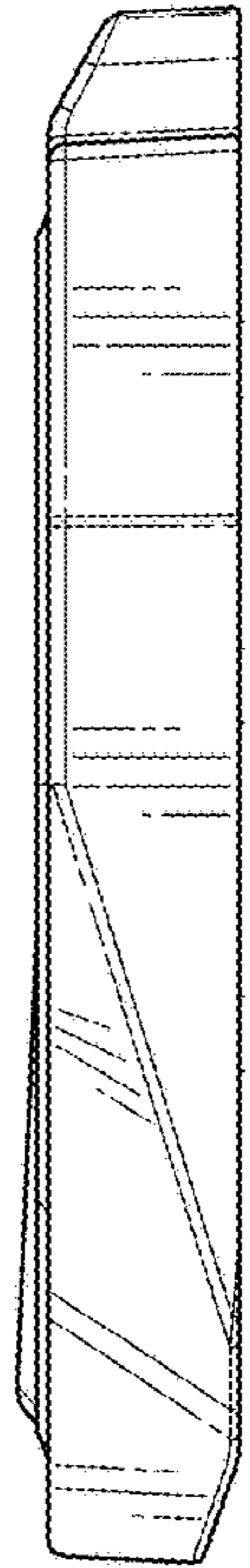


FIG. 5

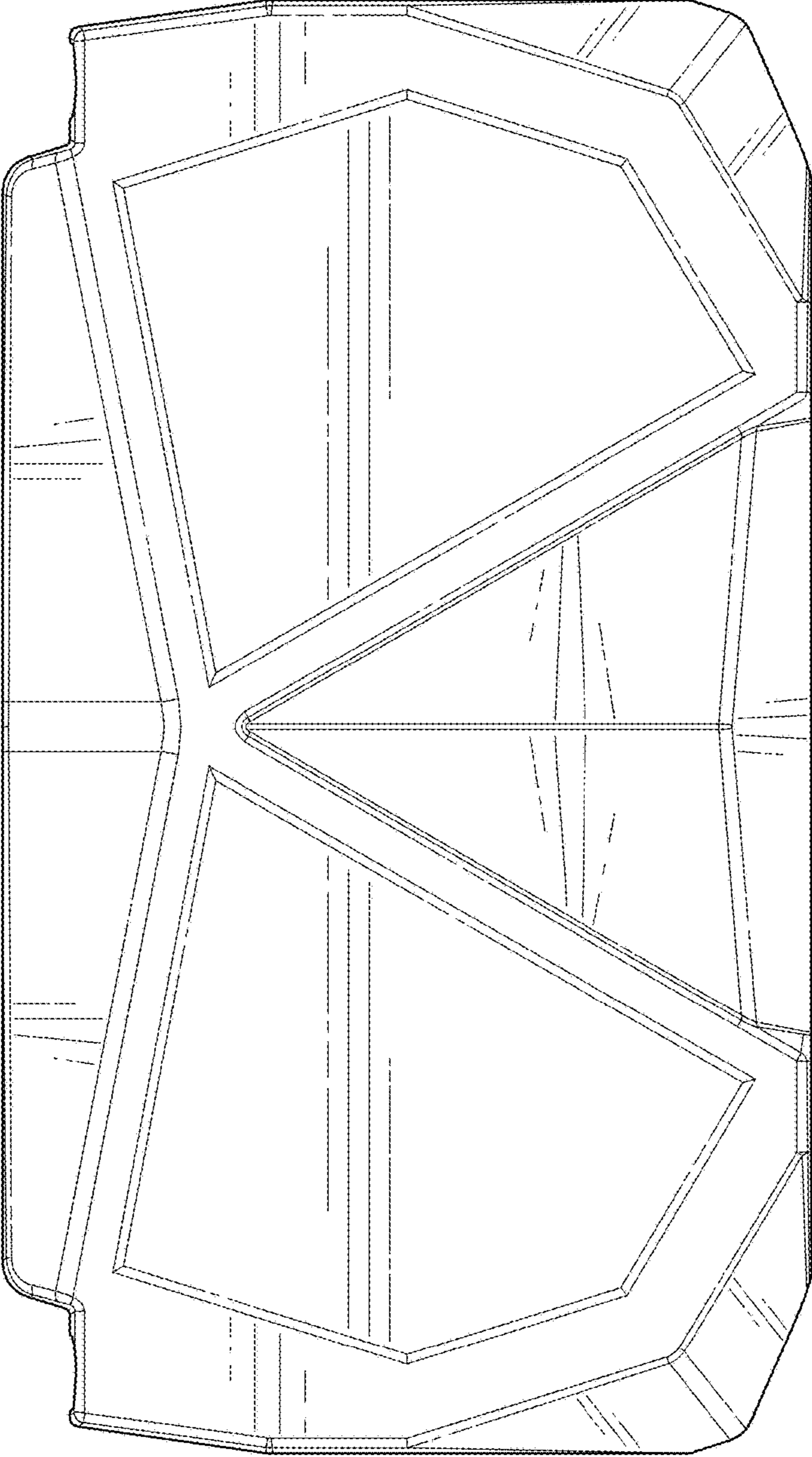


FIG. 6

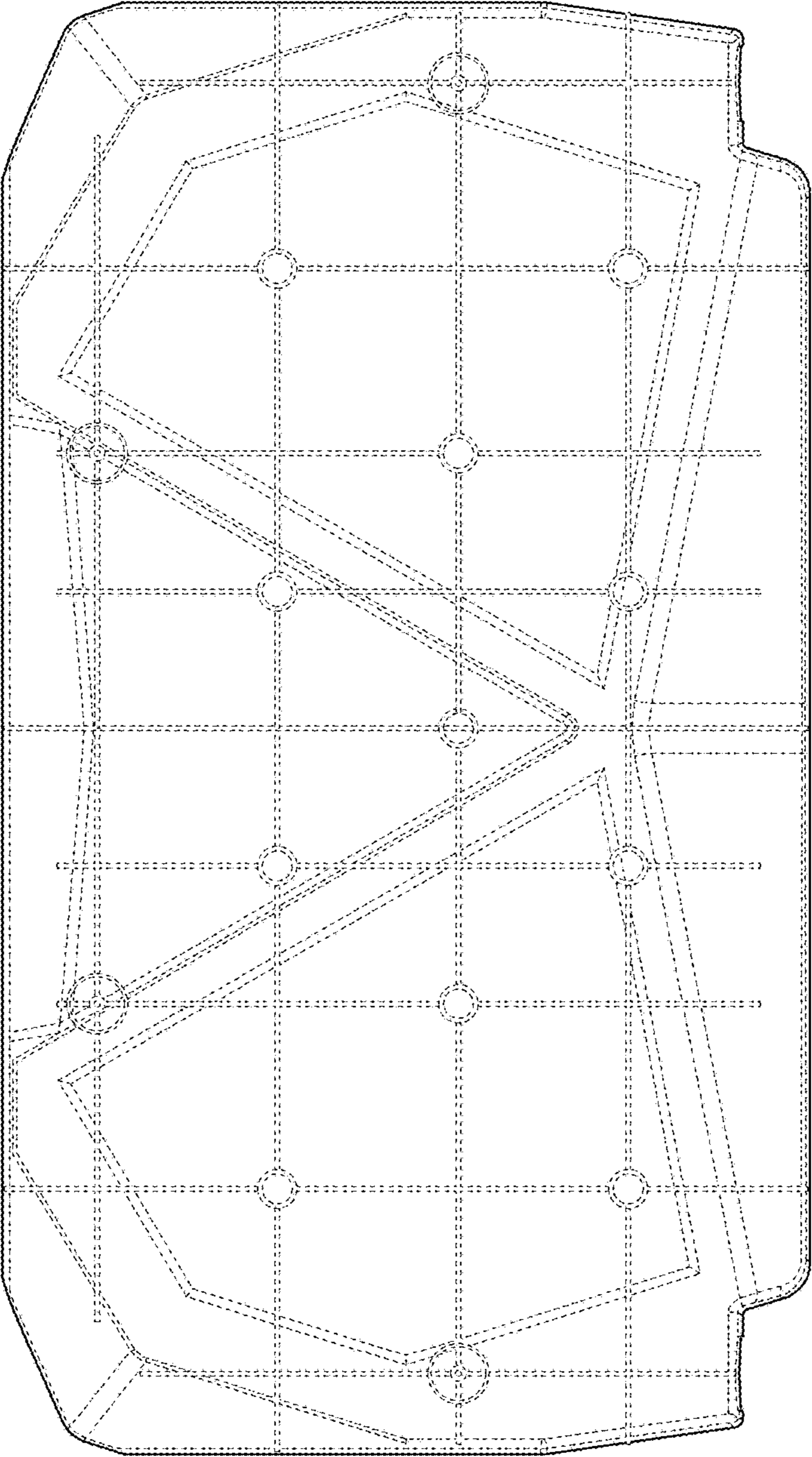


FIG. 7