



US00D851186S

(12) **United States Design Patent**
Kuka

(10) **Patent No.:** **US D851,186 S**
(45) **Date of Patent:** **** Jun. 11, 2019**

(54) **EXERCISE SLED**
(71) Applicant: **MoveStrong Functional Fitness Equipment, LLC**, Chattanooga, TN (US)

2,929,629 A * 3/1960 Feula A63B 69/345
473/445
D217,482 S * 5/1970 Pray D21/788
D229,432 S * 11/1973 Rogers D12/6
(Continued)

(72) Inventor: **Jared Kuka**, Chattanooga, TN (US)
(73) Assignee: **MoveStrong Functional Fitness Equipment, LLC**, Chattanooga, TN (US)

OTHER PUBLICATIONS

Power Sled by MoveStrong dated May 3, 2017. Found online [Jan. 2, 2019] <https://www.youtube.com/watch?v=VTnzpN9sPxA>.*

(**) Term: **15 Years**

Primary Examiner — Ryan Harvey
(74) *Attorney, Agent, or Firm* — Patterson Intellectual Property Law, P.C.; Ryan D. Levy

(21) Appl. No.: **29/605,239**

(57) **CLAIM**

(22) Filed: **May 24, 2017**

What is claimed is the ornamental design for an exercise sled, as shown and described.

(51) **LOC (11) Cl.** **21-02**

(52) **U.S. Cl.**
USPC **D21/691**

(58) **Field of Classification Search**
USPC 482/105, 104, 106, 108, 100, 93, 27;
D21/694, 686, 691, 788, 698, 803, 801,
D21/760, 662, 680; D6/552; 441/66, 67,
441/131; D12/222
CPC . A63B 69/345; A63B 23/047; A63B 21/0618;
A63B 21/4043; A63B 21/06; A63B
21/0004; A63B 2071/025; A63B 21/0442;
A63B 21/0552; A63B 21/0557; A63B
21/072; A63B 21/4035; A63B 21/4037;
A63B 23/03525; A63B 23/03541; A63B
23/0355; A63B 23/0458; A63B 5/00;
A63B 69/0028

DESCRIPTION

See application file for complete search history.

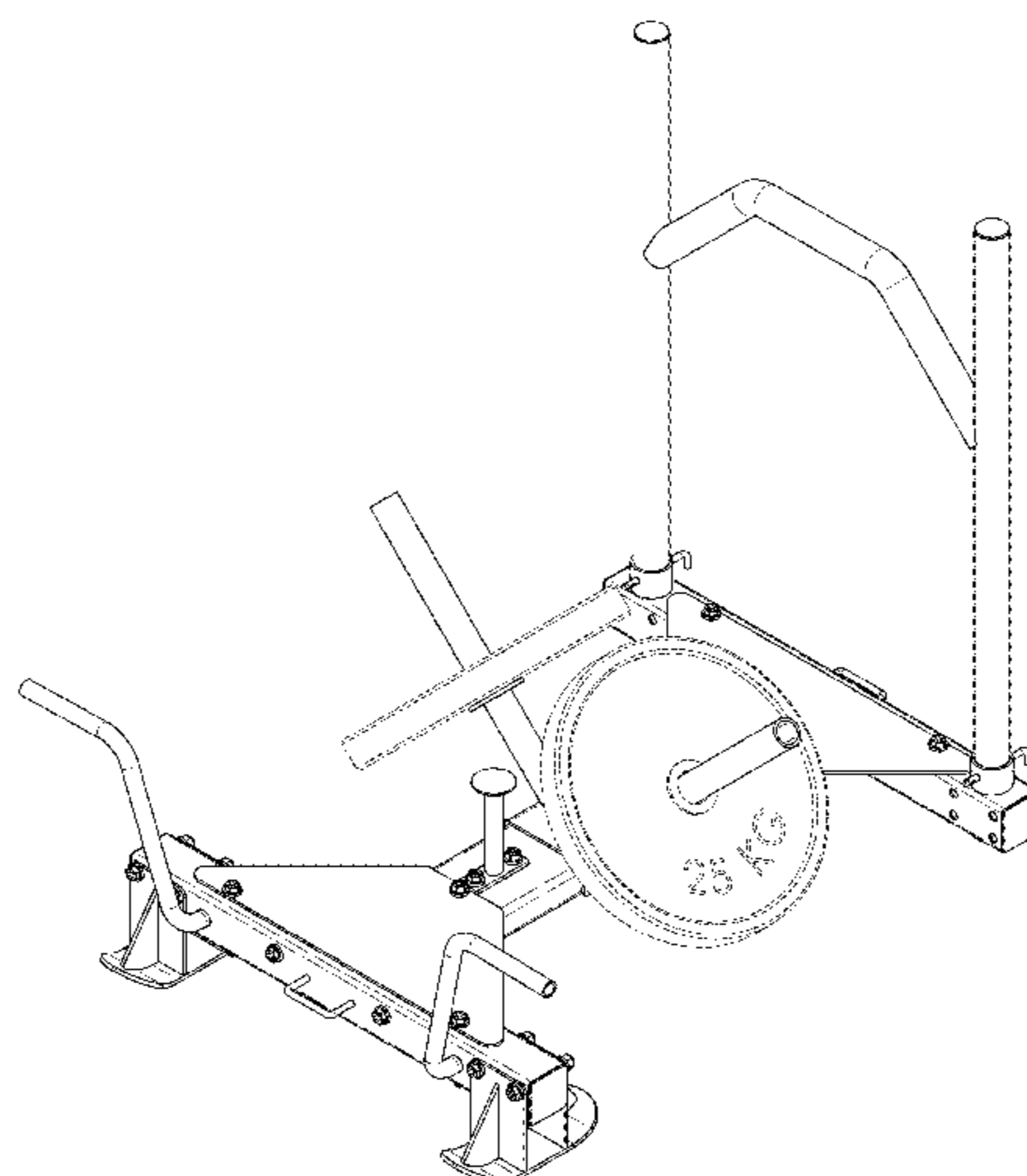
FIG. 1 is a front perspective view showing the exercise sled of Applicant's invention.
FIG. 2 is a top perspective view showing the exercise sled of Applicant's invention.
FIG. 3 is a bottom perspective view showing the exercise sled of Applicant's invention.
FIG. 4 is a front view of the exercise sled of Applicant's invention.
FIG. 5 is a back view of the exercise sled of Applicant's invention.
FIG. 6 is a top view of the exercise sled of Applicant's invention.
FIG. 7 is a bottom view of the exercise sled of Applicant's invention.
FIG. 8 is a left side view of the exercise sled of Applicant's invention; and,
FIG. 9 is a right side view of the exercise sled of Applicant's invention.
The broken line showing of weight plates depict environment and forms no part of the claim.

(56) **References Cited**

U.S. PATENT DOCUMENTS

2,237,600 A * 4/1941 Gilman A63B 69/345
280/23.1
2,521,649 A * 9/1950 Paupa A63B 69/345
473/445
2,620,188 A * 12/1952 Malagio A63B 69/345
248/121

1 Claim, 9 Drawing Sheets



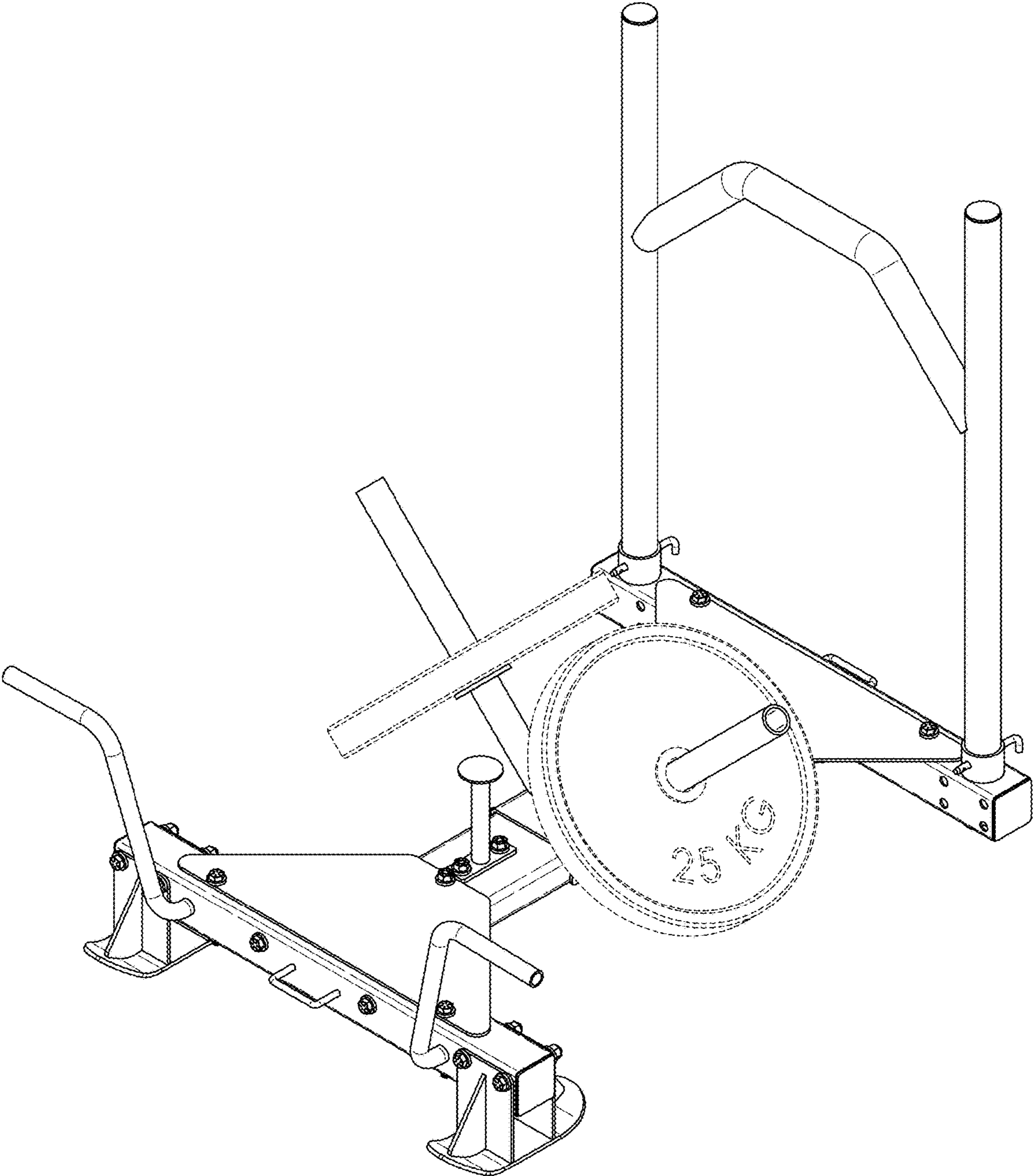
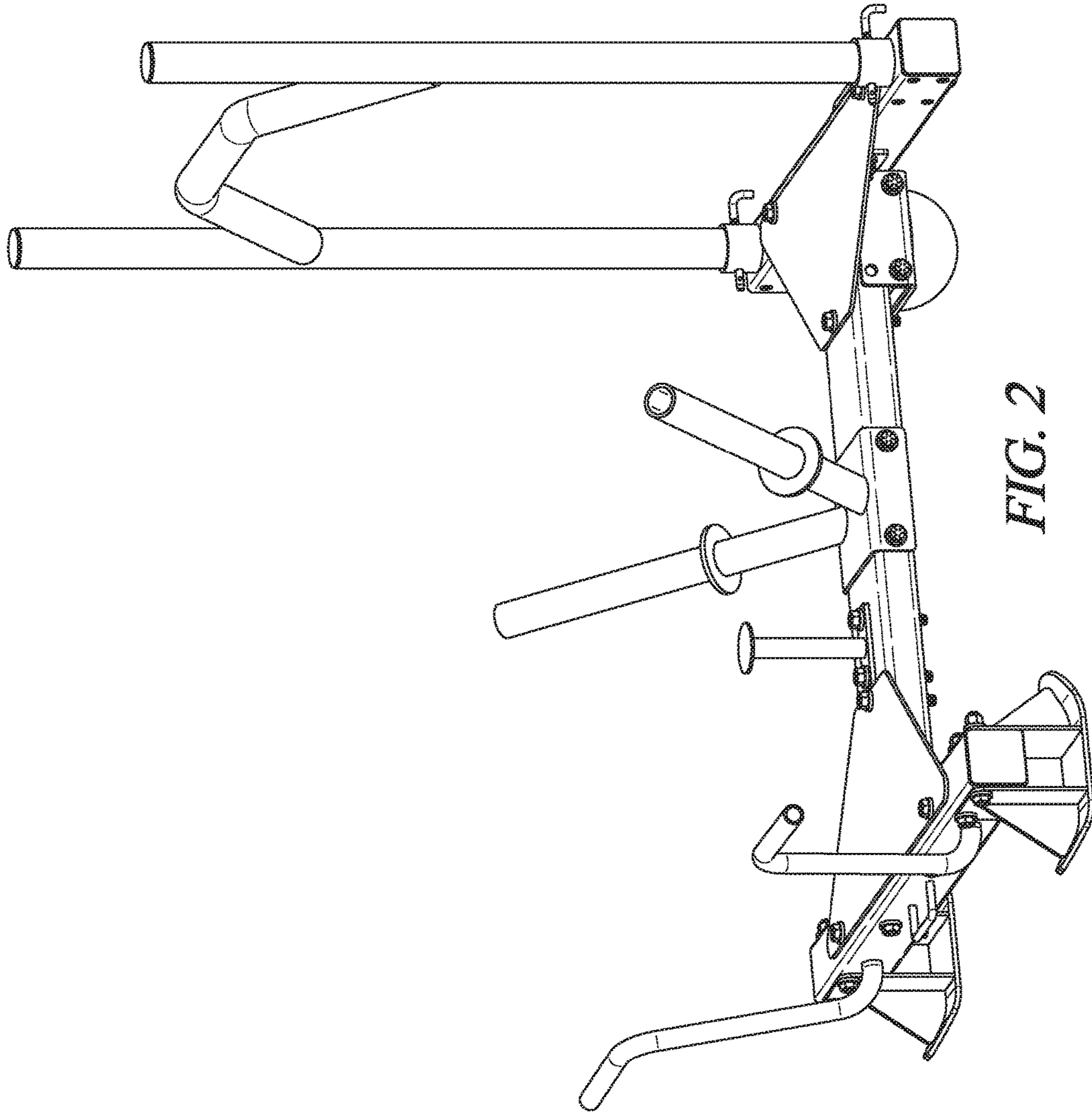
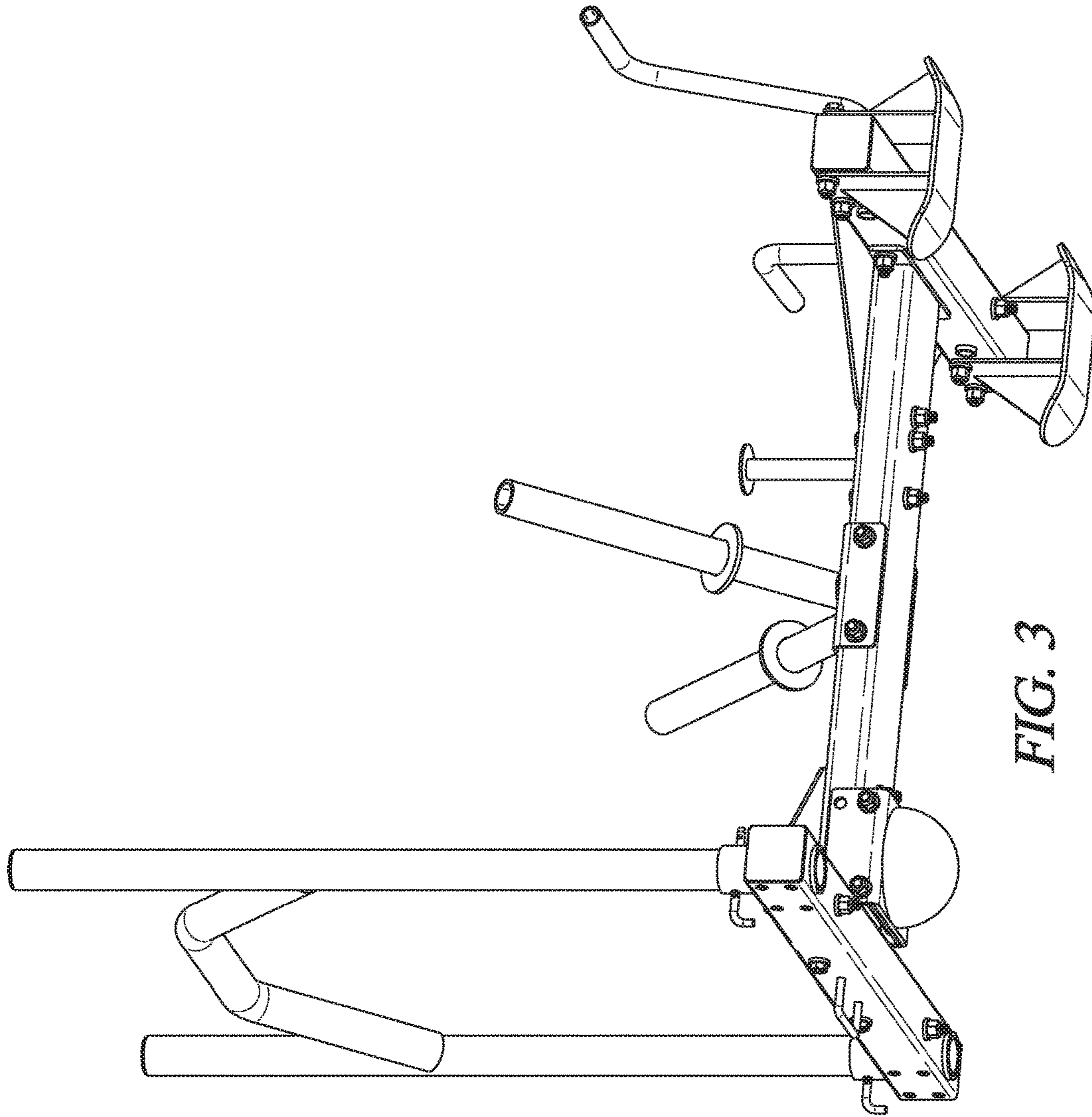


FIG. 1





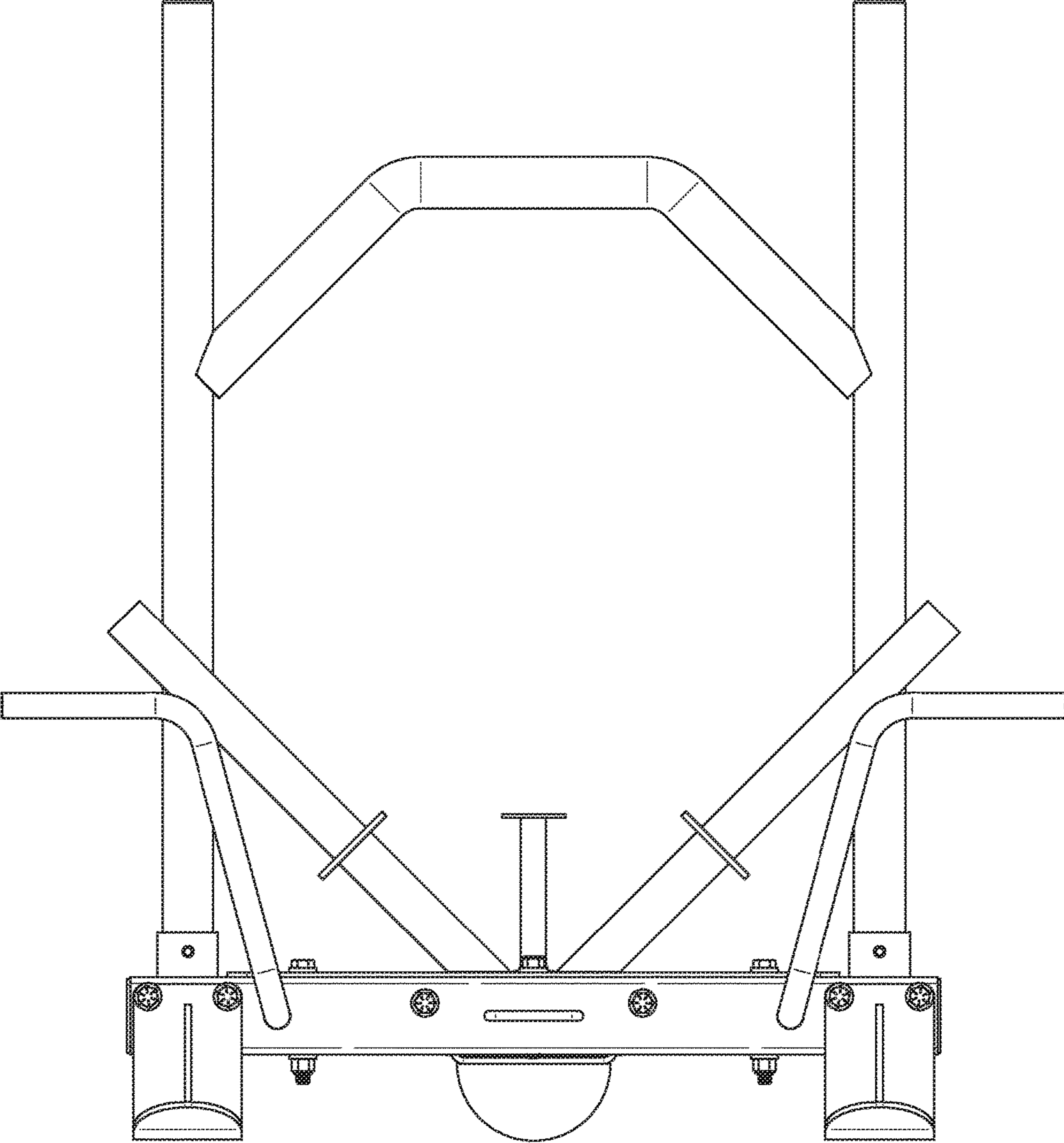


FIG. 4

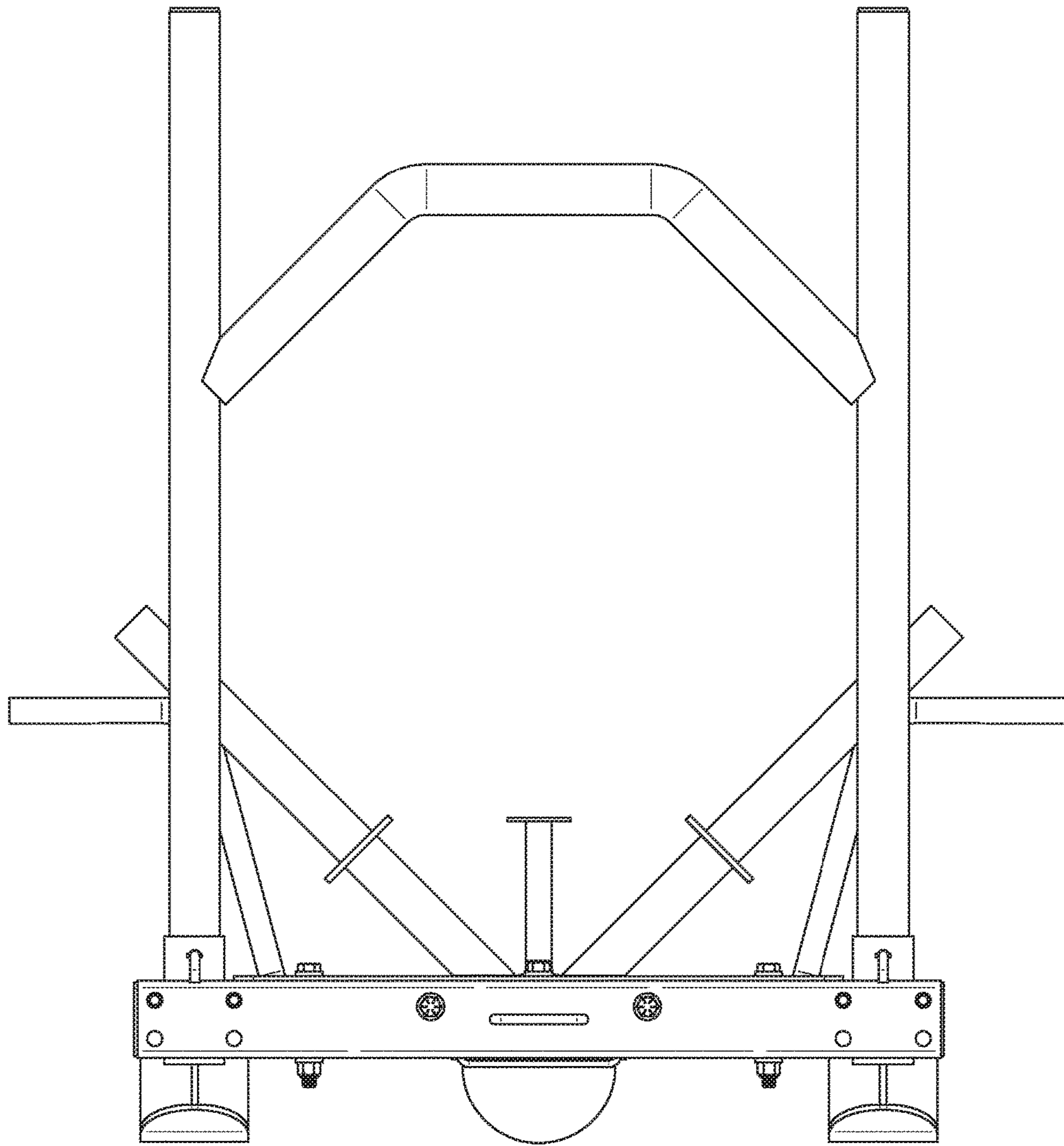


FIG. 5

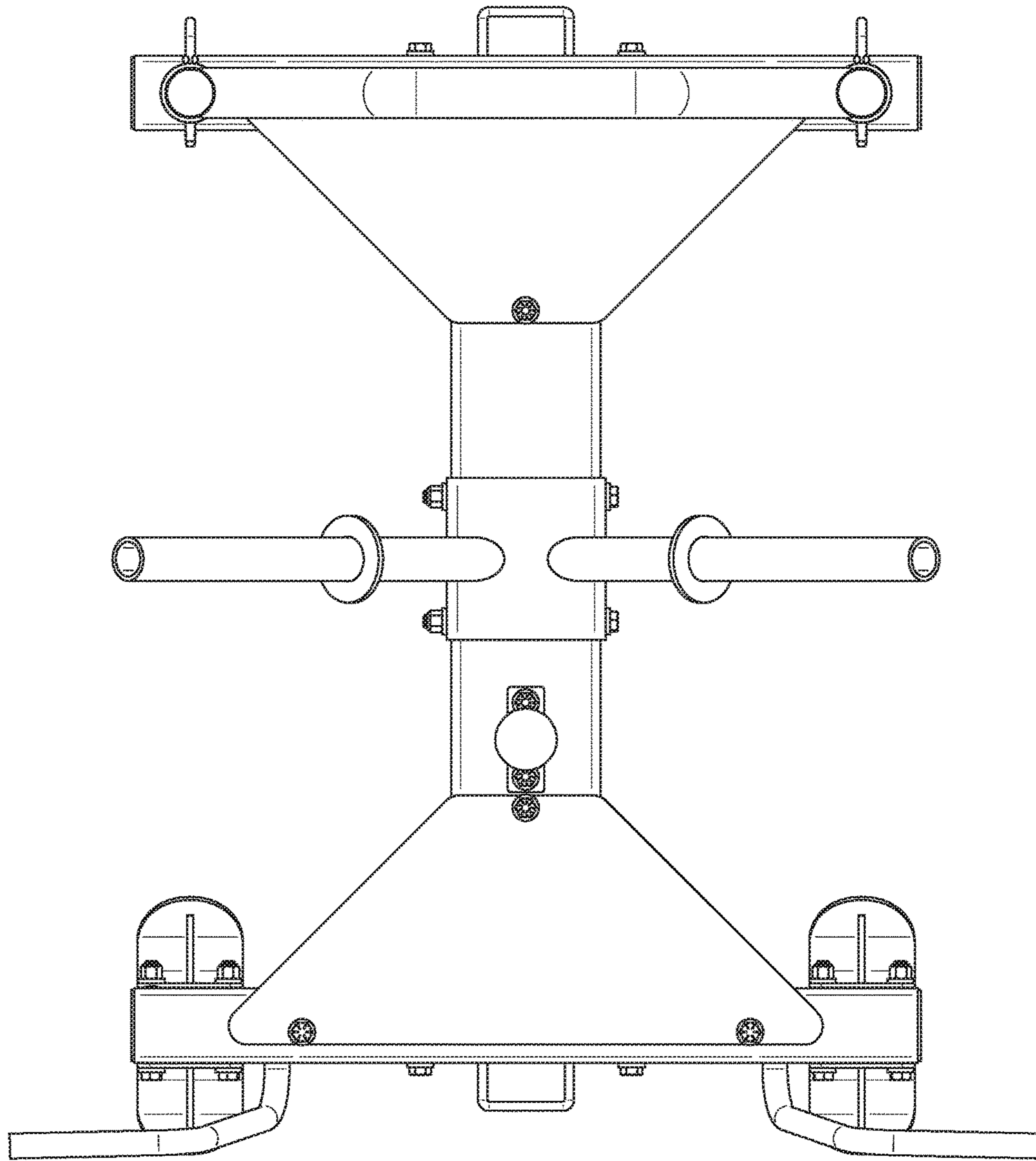


FIG. 6

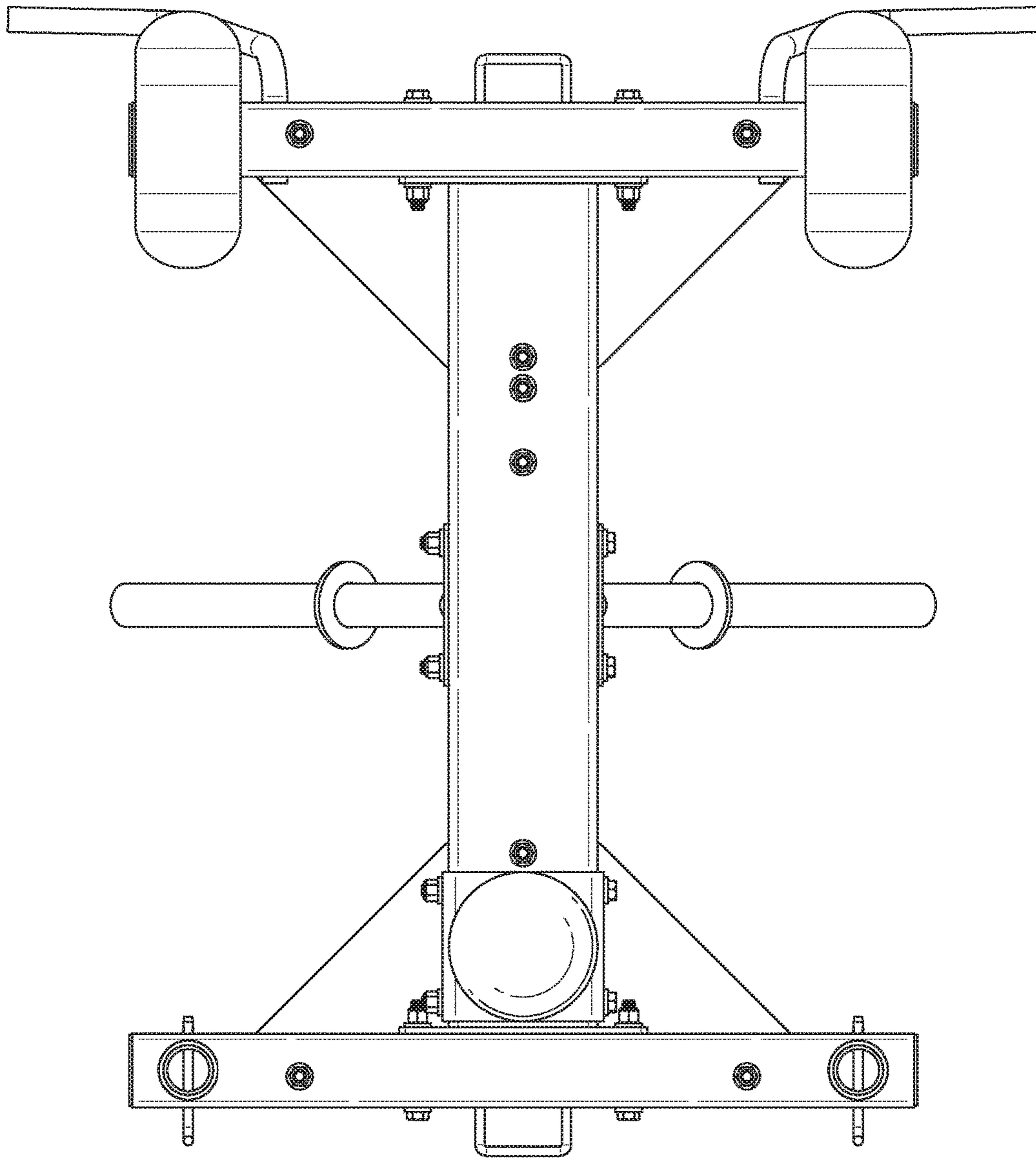


FIG. 7

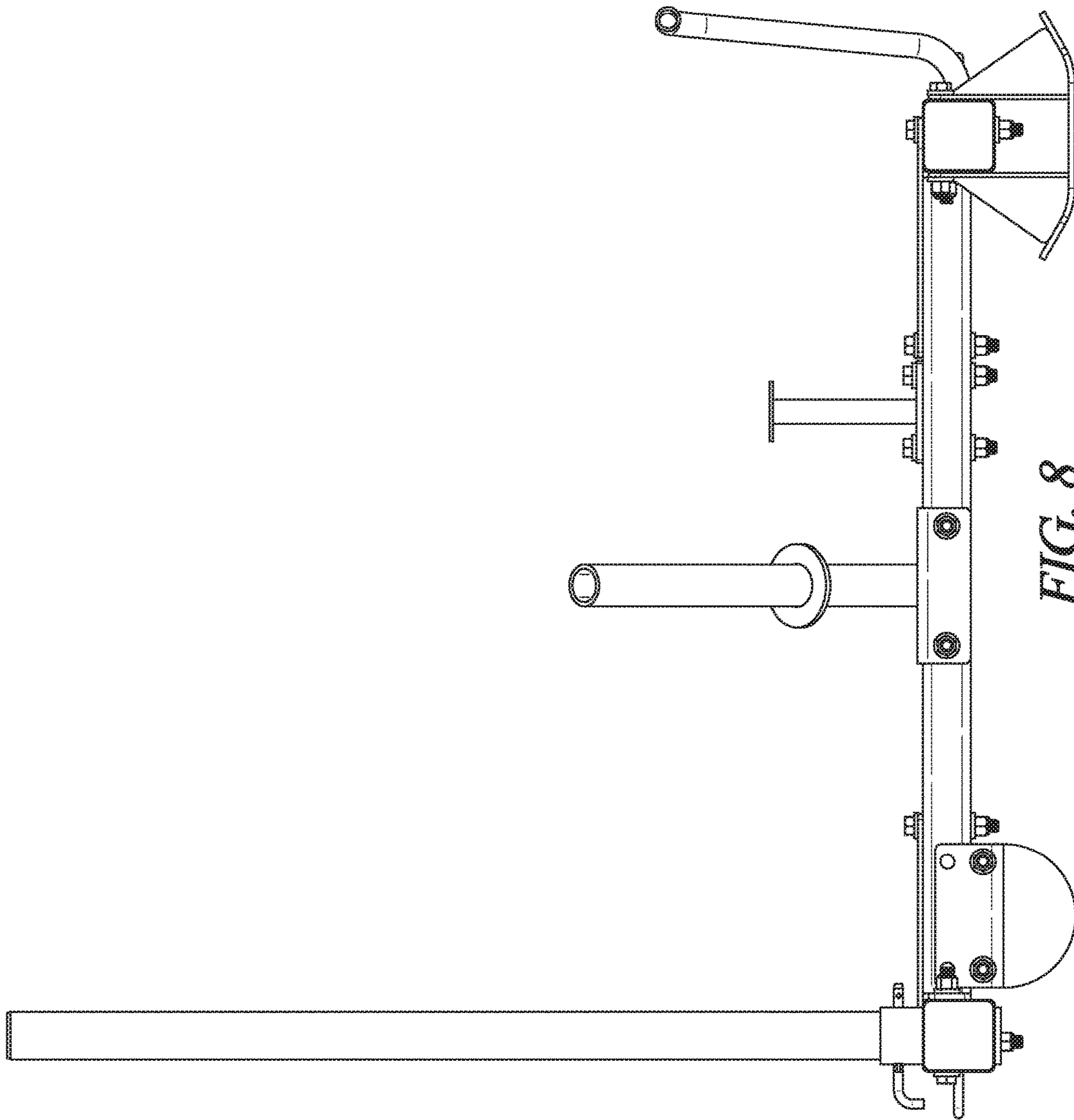


FIG. 8

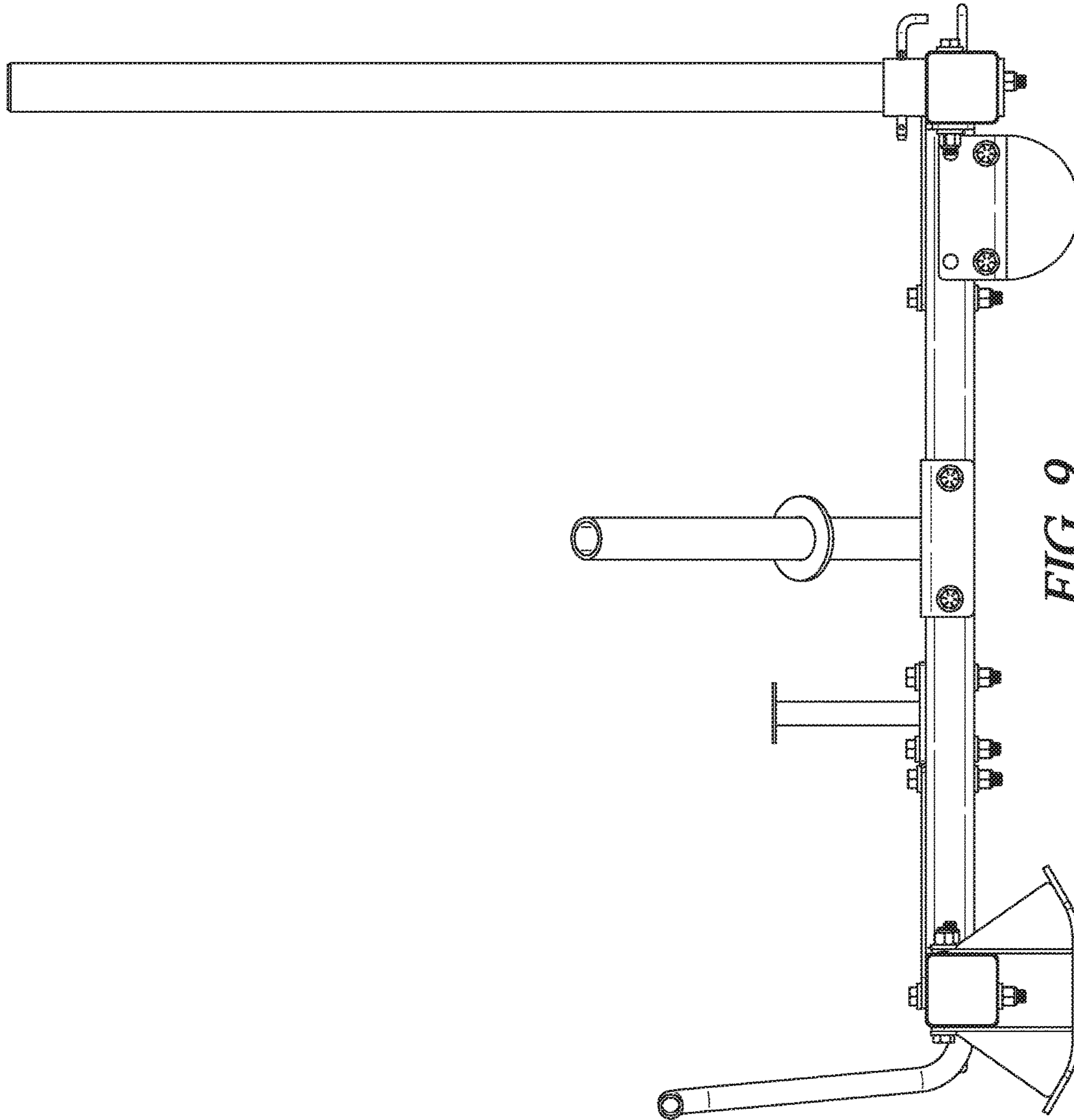


FIG. 9