



US00D851185S

(12) **United States Design Patent**  
**Laurin**

(10) **Patent No.:** **US D851,185 S**  
(45) **Date of Patent:** **\*\* Jun. 11, 2019**

- (54) **KNEE SLIDE**
- (71) Applicant: **Yvon Andre Laurin**, Port Elgin (CA)
- (72) Inventor: **Yvon Andre Laurin**, Port Elgin (CA)
- (\*\*) Term: **15 Years**
- (21) Appl. No.: **29/626,414**
- (22) Filed: **Nov. 16, 2017**
- (51) **LOC (11) Cl.** ..... **21-02**
- (52) **U.S. Cl.**  
USPC ..... **D21/662**
- (58) **Field of Classification Search**  
USPC ..... 248/678; 482/30, 70, 79, 142, 146, 147,  
482/148; 601/23, 33, 84; D21/662, 672,  
D21/686, 688, 689, 694, 760, 818;  
D24/212, 213  
CPC ..... A63B 2022/185; A63B 2026/006; A63B  
22/20; A63B 22/203; A63B 21/28; A63B  
22/0007; A63B 21/152; A63B 23/0355  
See application file for complete search history.

D694,347	S *	11/2013	Campanaro	.....	D21/686
D711,984	S *	8/2014	Smyth	.....	D21/686
D722,349	S *	2/2015	Smyth	.....	D21/694
8,986,167	B2 *	3/2015	Olsen	.....	A63B 21/152 482/70
9,138,606	B2 *	9/2015	Lagree	.....	A63B 21/055
D762,790	S *	8/2016	Smyth	.....	D21/694
9,415,253	B2 *	8/2016	Lagree	.....	A63B 23/03516
D775,431	S *	12/2016	Obadiaru	.....	D29/121.1
D785,106	S *	4/2017	Panes	.....	D21/688
9,868,011	B2 *	1/2018	Lagree	.....	A63B 21/00069
D815,701	S *	4/2018	Spencer	.....	D21/686

(56) **References Cited**

**U.S. PATENT DOCUMENTS**

3,467,376	A *	9/1969	Feinberg	.....	A63B 21/28 482/123
4,512,571	A *	4/1985	Hermelin	.....	A63B 22/0007 482/70
4,799,475	A *	1/1989	Iams	.....	A63B 23/0355 601/23
4,886,050	A *	12/1989	Iams	.....	A63B 23/0355 601/23
D471,605	S *	3/2003	Teff	.....	D21/662
D481,086	S *	10/2003	Broudy	.....	D21/689
7,294,100	B2 *	11/2007	Bull	.....	A63B 23/03541 482/70
8,425,437	B2 *	4/2013	Zaborowski	.....	A61H 1/0237 482/79

**OTHER PUBLICATIONS**

Ezmend, "Ezmend", Jun. 16, 2016. <http://ezmend.com/ezmend/>.  
Shown on p. 1. (Year: 2016).\*

\* cited by examiner

*Primary Examiner* — Cynthia Ramirez

*Assistant Examiner* — Michael A Maharajh

(74) *Attorney, Agent, or Firm* — David J Schnurr; Miller  
Thomson LLP

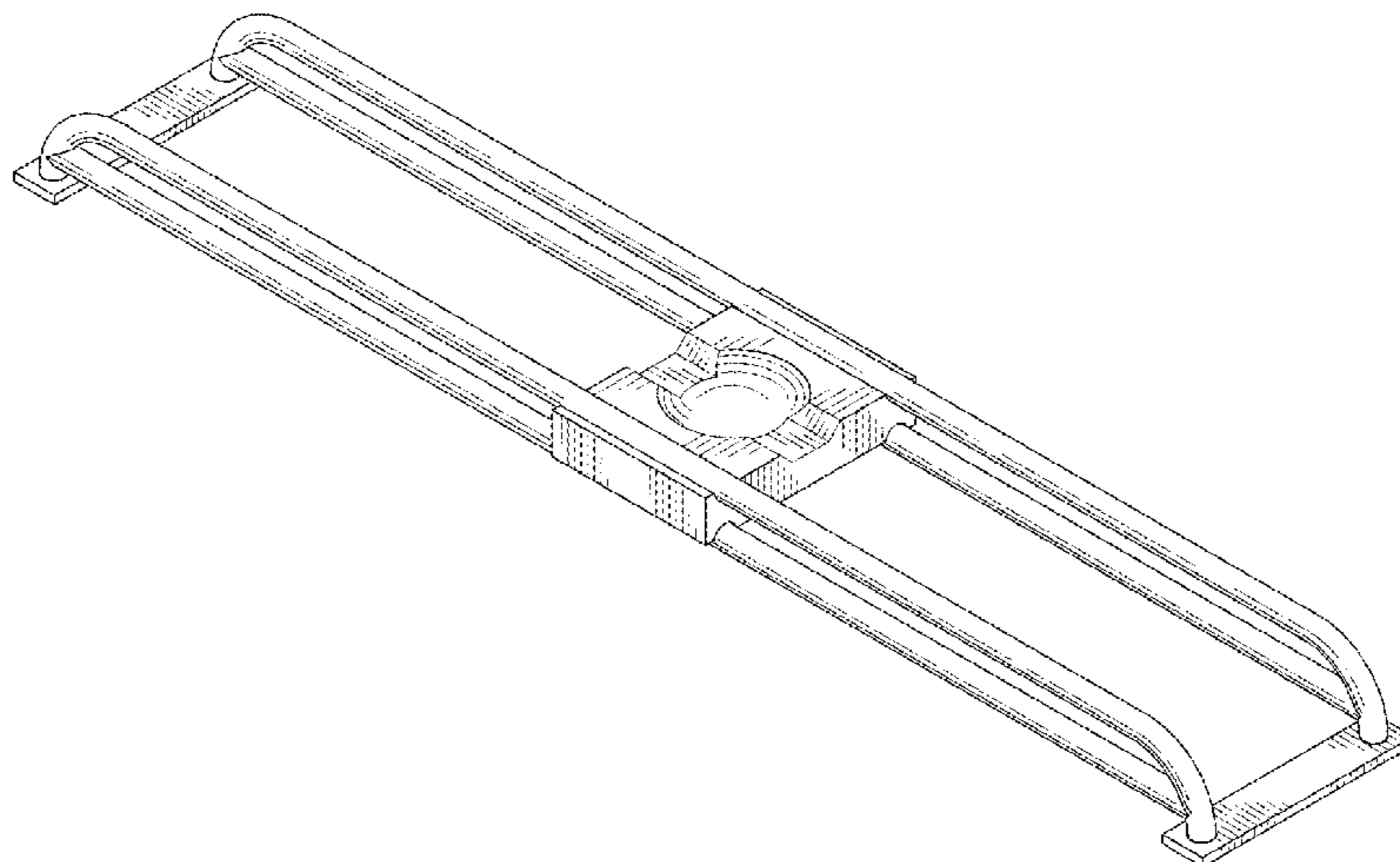
(57) **CLAIM**

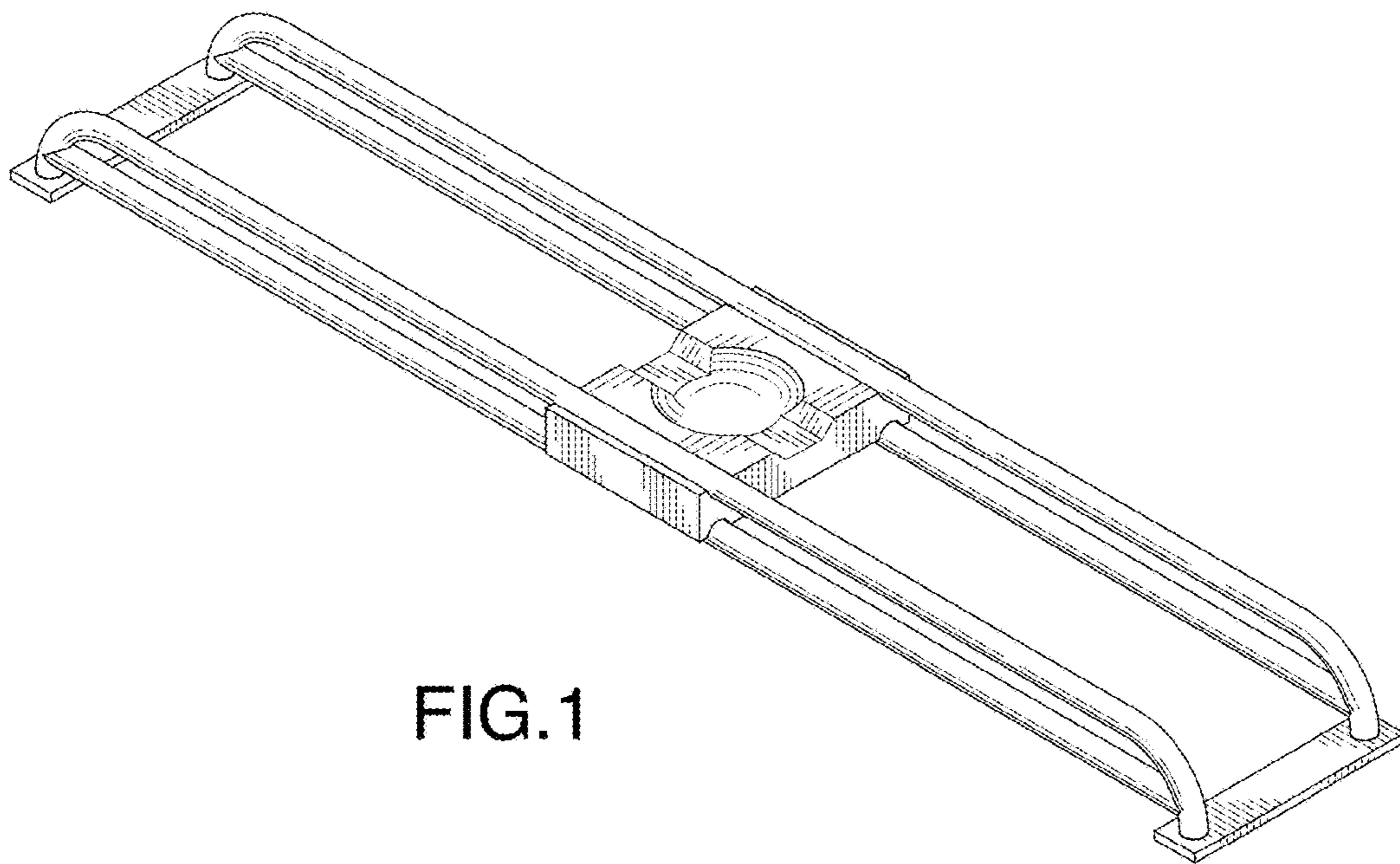
The ornamental design of a knee slide, as shown and described.

**DESCRIPTION**

FIG. 1 is a front perspective view of a knee slide in accordance with the present design;  
FIG. 2 is a rear perspective view thereof;  
FIG. 3 is a top plan view thereof;  
FIG. 4 is a bottom plan view thereof;  
FIG. 5 is a right side elevation view thereof;  
FIG. 6 is a left side elevation view thereof;  
FIG. 7 is a front end elevation view thereof; and,  
FIG. 8 is a rear end elevation view thereof.

**1 Claim, 8 Drawing Sheets**





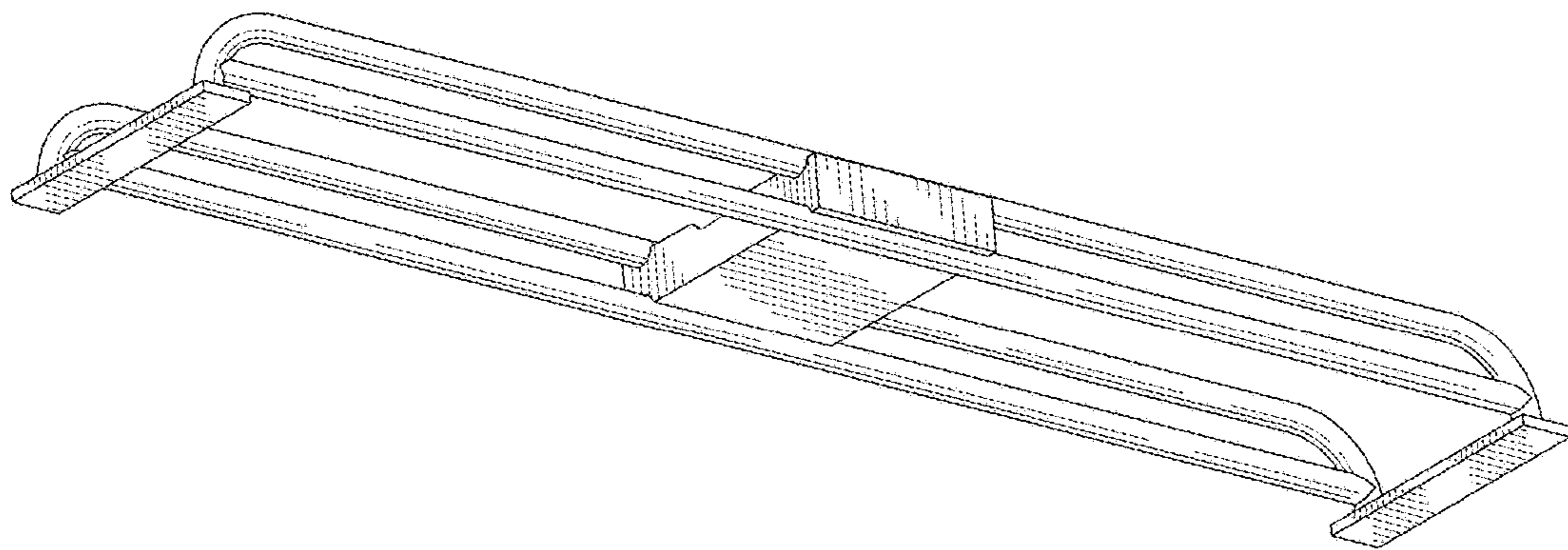


FIG.2

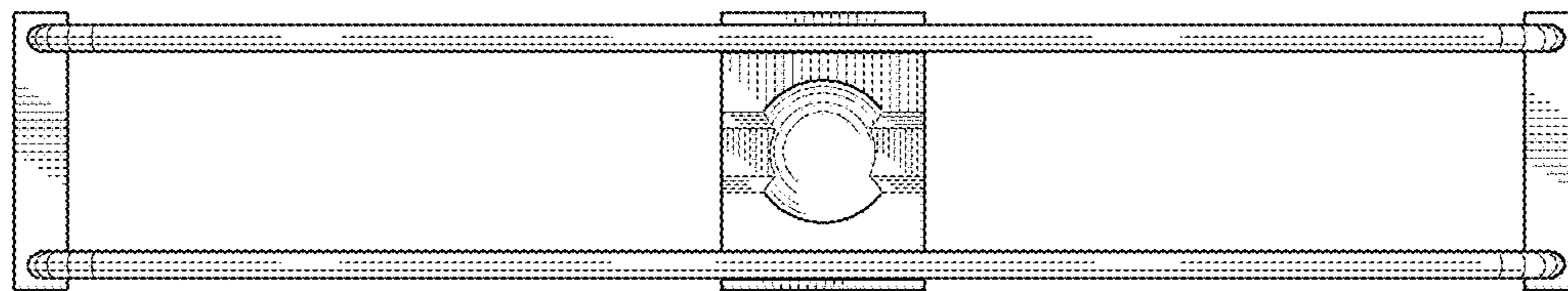


FIG.3

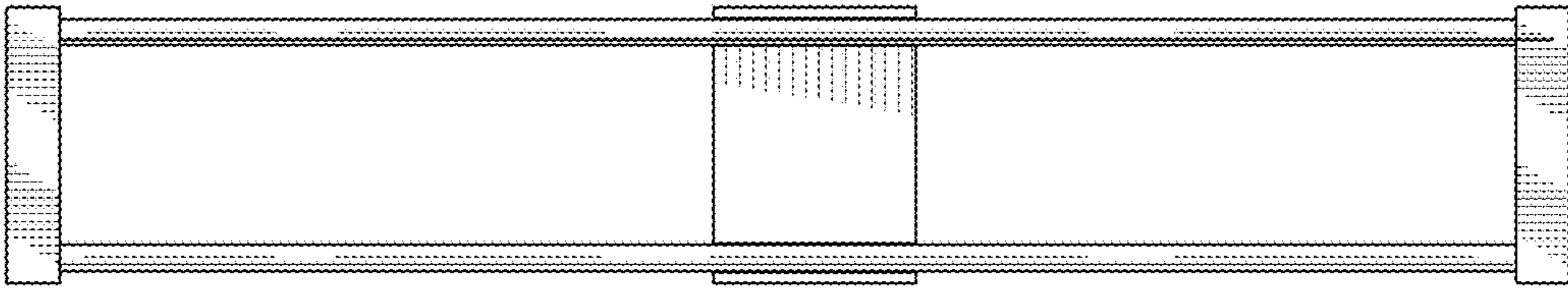


FIG.4

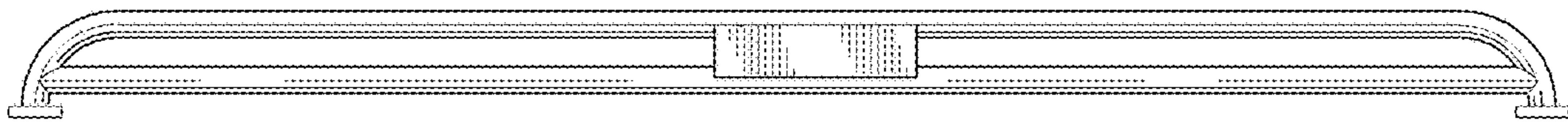


FIG.5

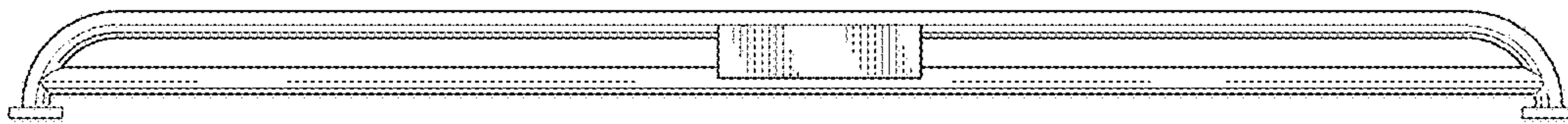


FIG.6

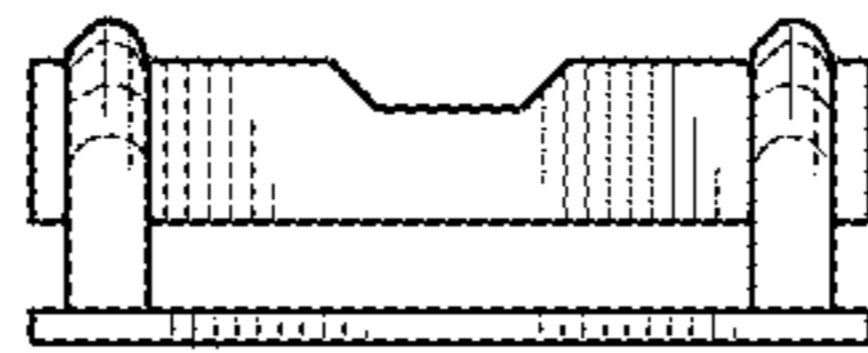


FIG.7





FIG.8