



US00D851184S

(12) **United States Design Patent**
MCConnell

(10) **Patent No.:** **US D851,184 S**

(45) **Date of Patent:** **** Jun. 11, 2019**

(54) **INTERACTIVE EXERCISE APPARATUS**

(71) Applicant: **Thomas MCConnell**, Jber, AK (US)

(72) Inventor: **Thomas MCConnell**, Jber, AK (US)

(**) Term: **15 Years**

(21) Appl. No.: **29/618,524**

(22) Filed: **Sep. 21, 2017**

(51) **LOC (11) Cl.** **21-02**

(52) **U.S. Cl.**
USPC **D21/662**

(58) **Field of Classification Search**
USPC D14/300, 356, 357, 358, 388, 218, 454,
D14/299, 496, 400, 401, 402, 405, 408,
D14/412, 414; D21/333, 662, 681, 682,
D21/680, 694, 696, 369, 385, 803, 811,
D21/814; D20/10, 19, 21; 842/1, 4, 9,
842/131, 147
CPC A63B 21/00; A63B 21/00047; A63B
21/00189; A63B 21/02; A63B 21/028;
A63B 21/04; A63B 21/0407; A63B
21/0414; A63B 24/0059; A63B 24/0087;
A63B 26/00; G06F 1/1684; G06F 1/1698
See application file for complete search history.

(56) **References Cited**

U.S. PATENT DOCUMENTS

D229,323 S *	11/1973	O'Brien	D10/102
D347,868 S *	6/1994	Hill	D21/662
D355,007 S *	1/1995	Rojas	D21/681
D373,145 S *	8/1996	Pettus	D20/19
D379,206 S *	5/1997	Meffert	D21/324
D406,183 S *	2/1999	Zovich	D21/680
D409,266 S *	5/1999	Rojas	D21/680
D434,090 S *	11/2000	Wallace	D21/680
D448,055 S *	9/2001	Lien	D21/680
6,740,008 B1 *	5/2004	Ho	A63B 21/0004 482/123

D514,392 S *	2/2006	Bruns	B62B 3/00 D7/606
D526,973 S *	8/2006	Gates	D13/168
D545,927 S *	7/2007	Lien	D21/681
D546,908 S *	7/2007	Lien	D21/681
D566,207 S *	4/2008	Cao	D21/681
D566,208 S *	4/2008	Alessandri	D21/681
D566,209 S *	4/2008	Alessandri	D21/681
D575,348 S *	8/2008	Tanaka	D20/10
D575,827 S *	8/2008	Tanaka	D20/10

(Continued)

Primary Examiner — Susan Bennett Hattan

Assistant Examiner — Marie D. Fast Horse

(74) *Attorney, Agent, or Firm* — The Rapacke Law Group, P.A.

(57) **CLAIM**

We claim; the ornamental design for a interactive exercise apparatus, as shown and described.

DESCRIPTION

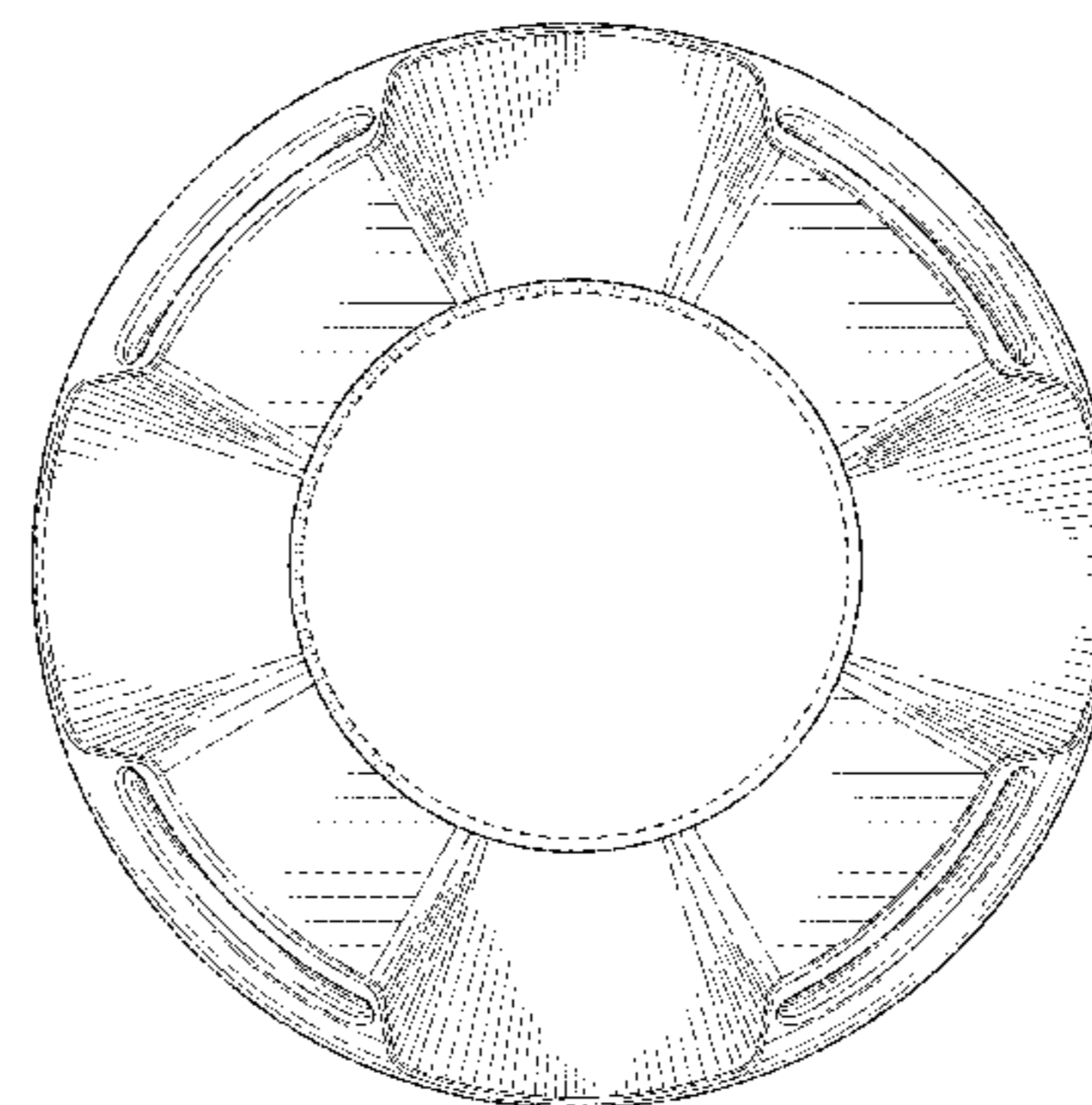
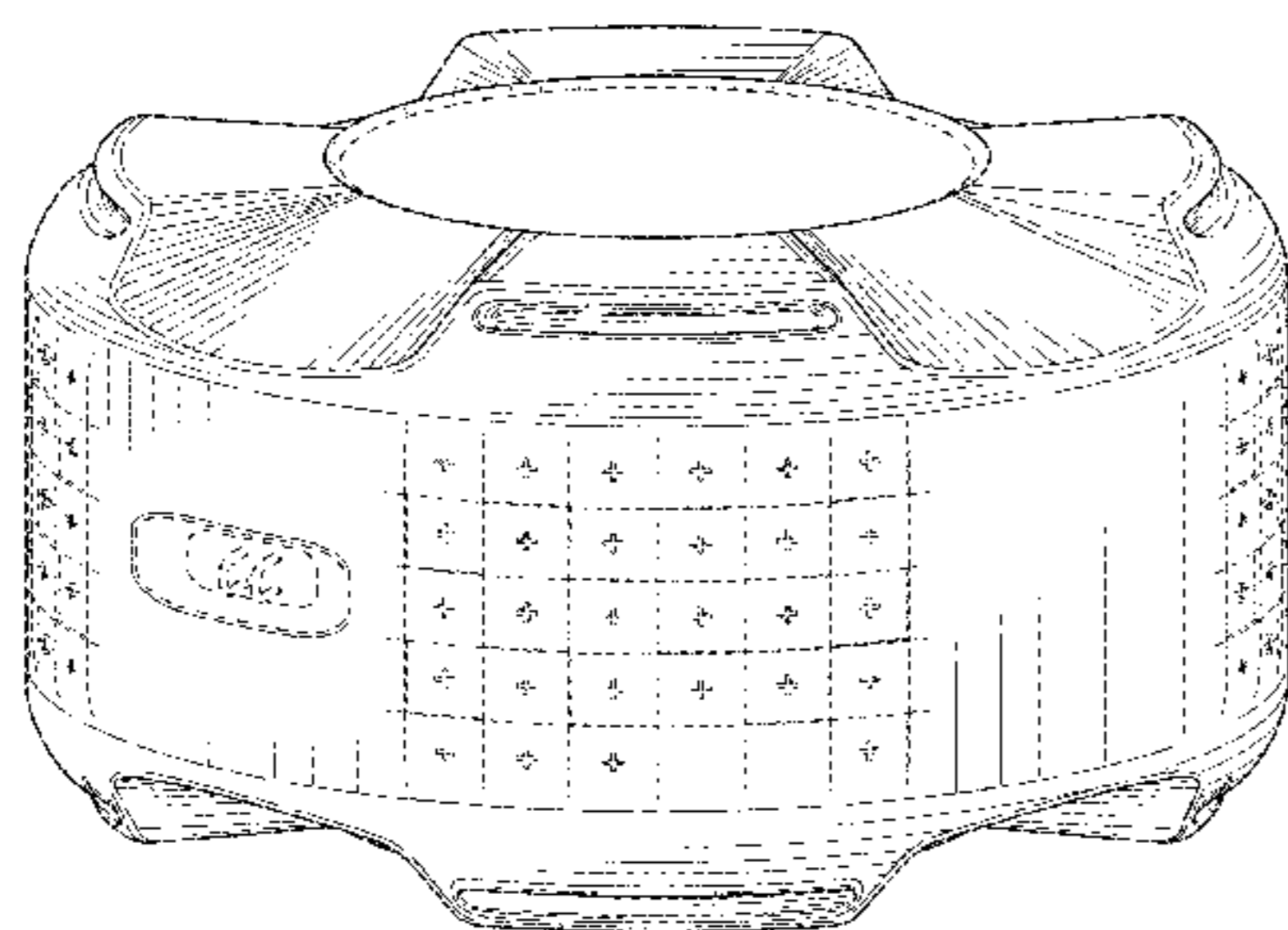
FIG. 1 is a perspective view of a interactive exercise apparatus showing the new design;
FIG. 2 is a top view of the interactive exercise apparatus thereof;
FIG. 3 is a right side view of the interactive exercise apparatus thereof; and
FIG. 4 is a front view of the interactive exercise apparatus thereof; and,
FIG. 5 is a rear view of the interactive exercise apparatus thereof.

The bottom of the interactive exercise apparatus is a mirror image of the top view of the interactive exercise apparatus shown in FIG. 2.

The left side of the interactive exercise apparatus is a mirror image of the right side view of the interactive exercise apparatus shown in FIG. 3.

The broken lines in the drawings depict environmental structure and form no part of the claimed design.

1 Claim, 4 Drawing Sheets



(56)

References Cited

U.S. PATENT DOCUMENTS

D606,133 S * 12/2009 Lien D21/681
 D639,874 S * 6/2011 Hillson D21/680
 D642,638 S * 8/2011 Clark D21/686
 D643,075 S * 8/2011 Childs D21/680
 D659,774 S * 5/2012 Huang D21/662
 D666,176 S * 8/2012 Yamada D14/218
 D669,141 S * 10/2012 MacColl D21/662
 D684,224 S * 6/2013 Davies, III D21/680
 D685,870 S * 7/2013 Ho D21/759
 D698,875 S * 2/2014 Childs D21/662
 D716,877 S * 11/2014 Raymond D21/385
 D717,770 S * 11/2014 Yamamoto D14/216
 D727,439 S * 4/2015 Dike D21/662
 D731,600 S * 6/2015 Bouckaert D21/662
 D732,614 S * 6/2015 Davies, III D21/680
 D736,865 S * 8/2015 Erickson D21/662
 D737,385 S * 8/2015 Woniger D21/671
 D739,482 S * 9/2015 Lien D21/681
 9,144,701 B2 * 9/2015 Chen A63B 21/00047
 D749,177 S * 2/2016 Childs D21/682
 D751,157 S * 3/2016 Irwin D21/680

D751,655 S * 3/2016 Januszek D21/662
 D777,266 S * 1/2017 Davies, III D21/680
 D785,103 S * 4/2017 Townsend D21/662
 D787,516 S * 5/2017 Goetgeluk D14/356
 D794,143 S * 8/2017 Rex D21/680
 D796,053 S * 8/2017 Phillips A61H 15/0092
 D24/211
 D798,968 S * 10/2017 Lien D21/680
 D800,233 S * 10/2017 Januszek D21/662
 D802,063 S * 11/2017 Nelson D21/680
 D802,689 S * 11/2017 Lien D21/682
 D805,140 S * 12/2017 Hodes D21/681
 D806,185 S * 12/2017 Ross D21/662
 D807,442 S * 1/2018 Ross D21/662
 D808,389 S * 1/2018 Judge D14/358
 D829,242 S * 9/2018 Laine D14/496
 D834,560 S * 11/2018 Hardi D14/218
 2006/0160675 A1 * 7/2006 Brown A63B 21/075
 482/93
 2015/0165258 A1 * 6/2015 Januszek A63B 21/0004
 482/93
 2018/0015318 A1 * 1/2018 Nelson A63B 21/0601

* cited by examiner

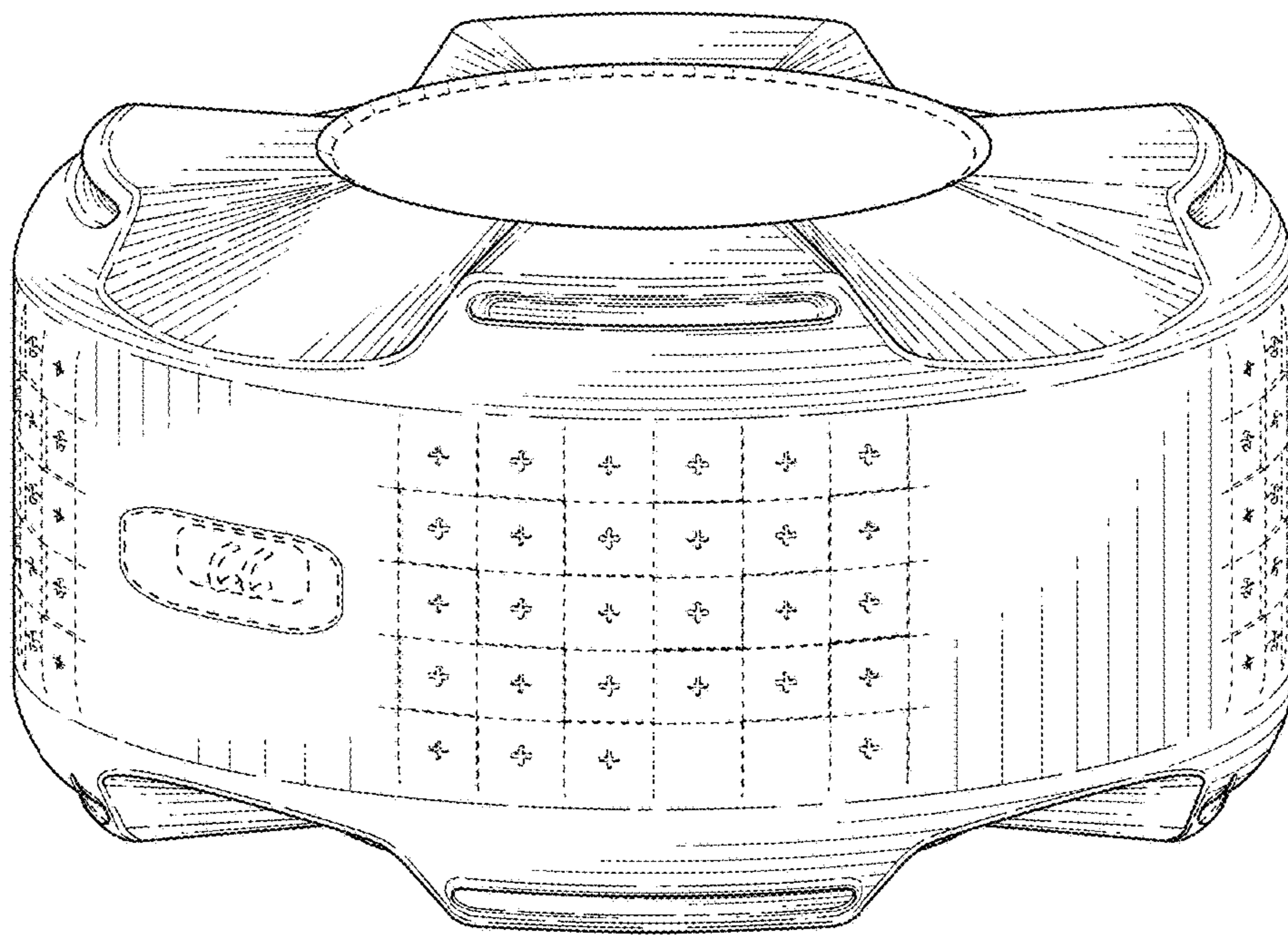


FIG. 1

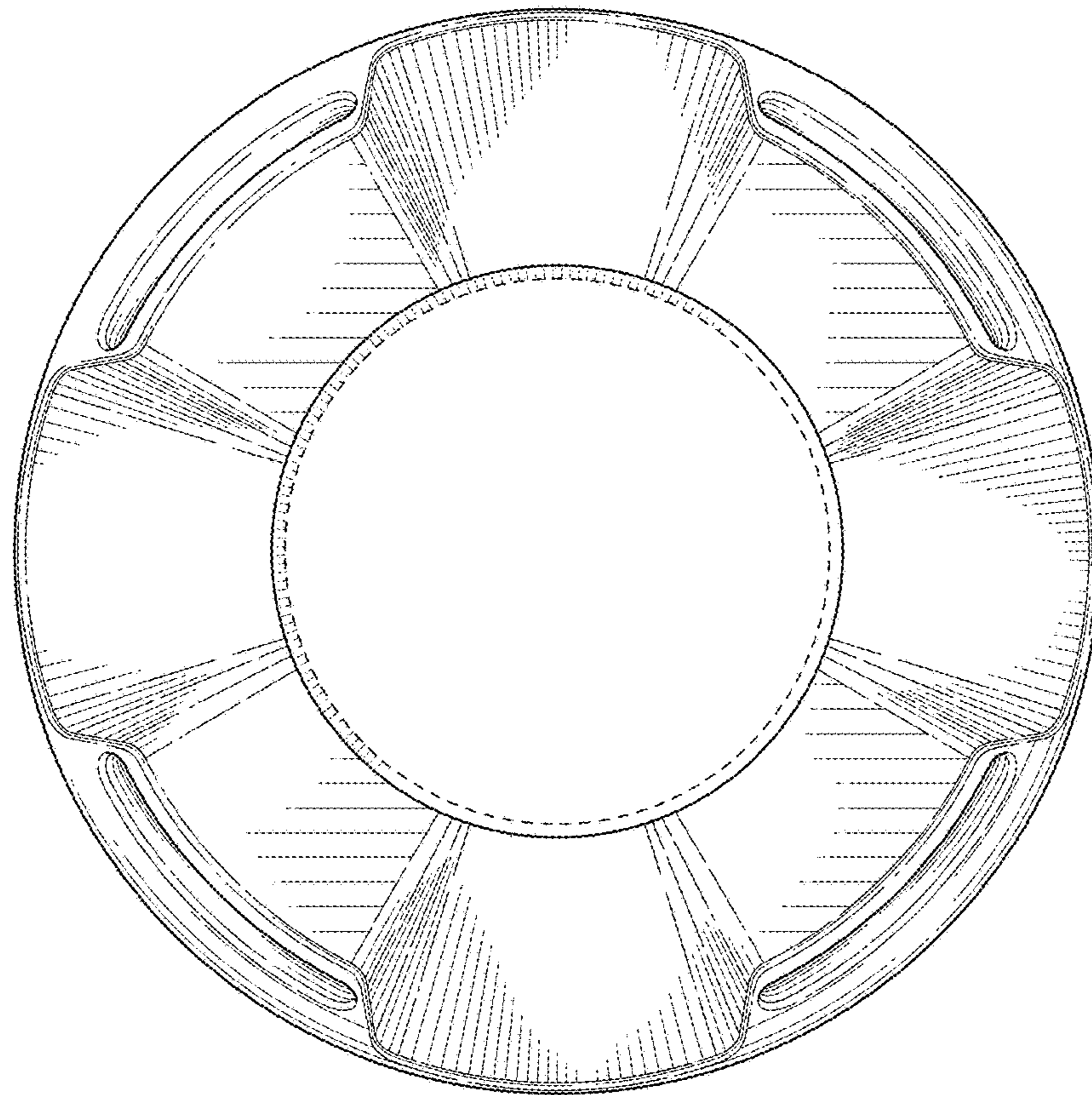


FIG. 2

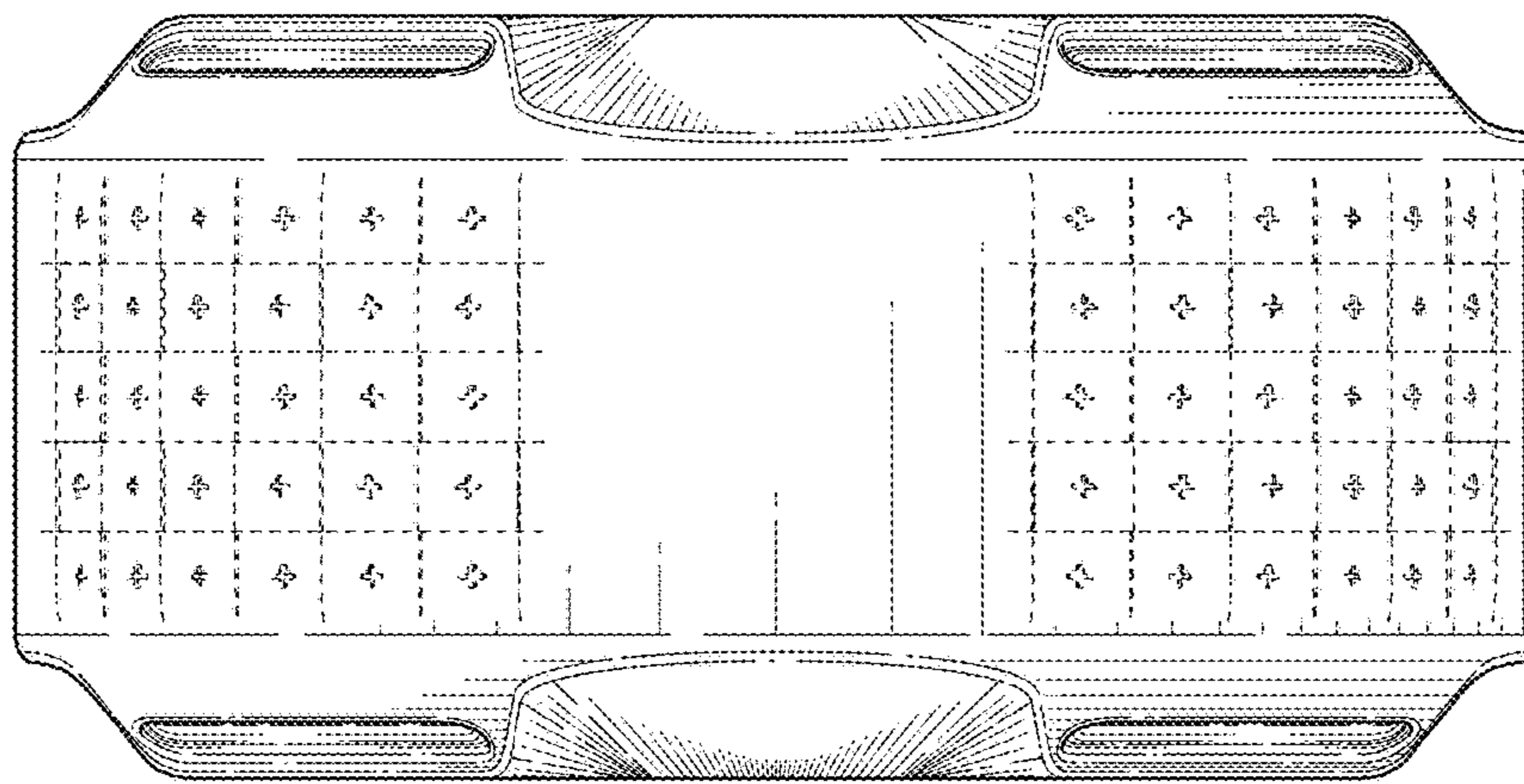


FIG. 3

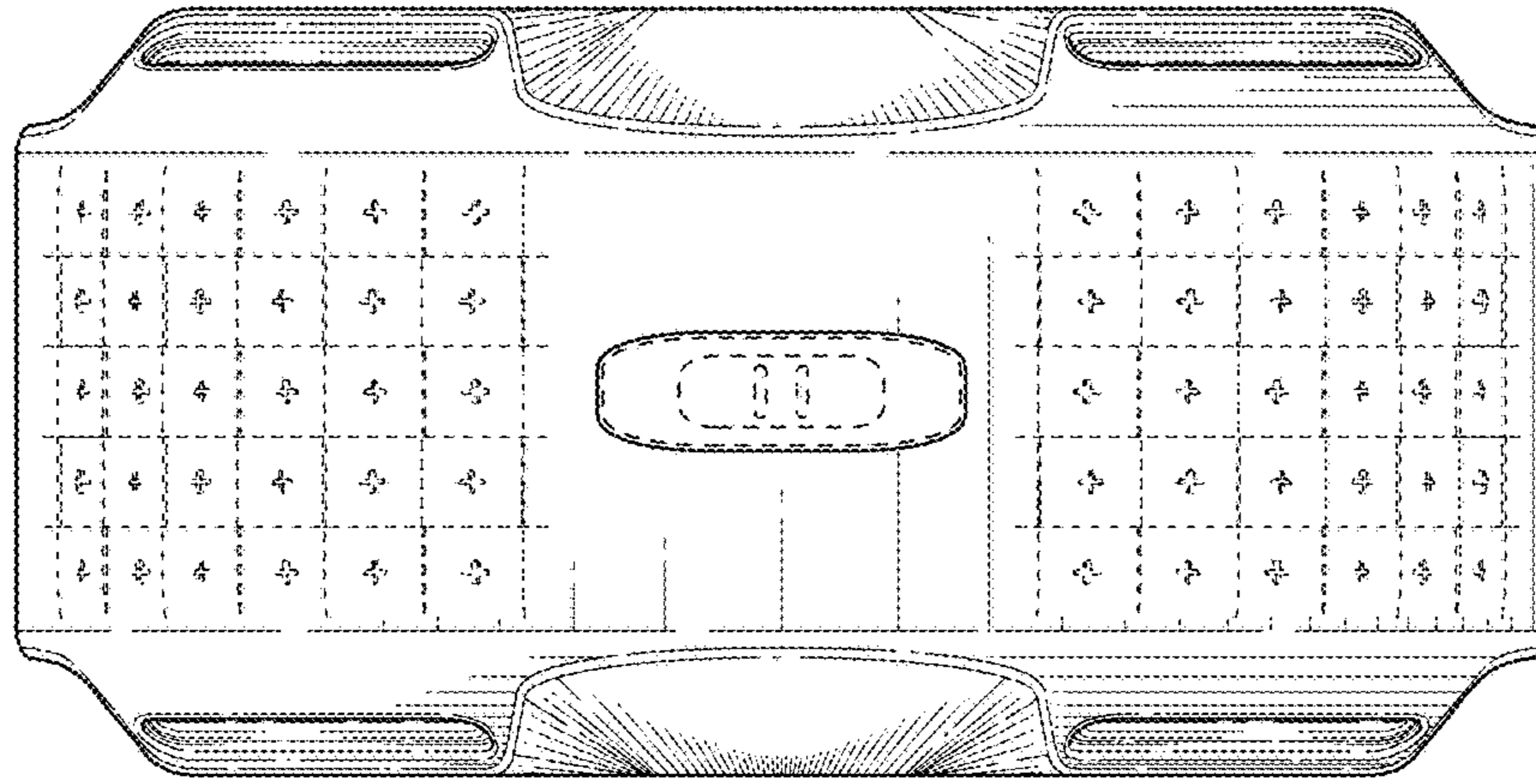


FIG. 4

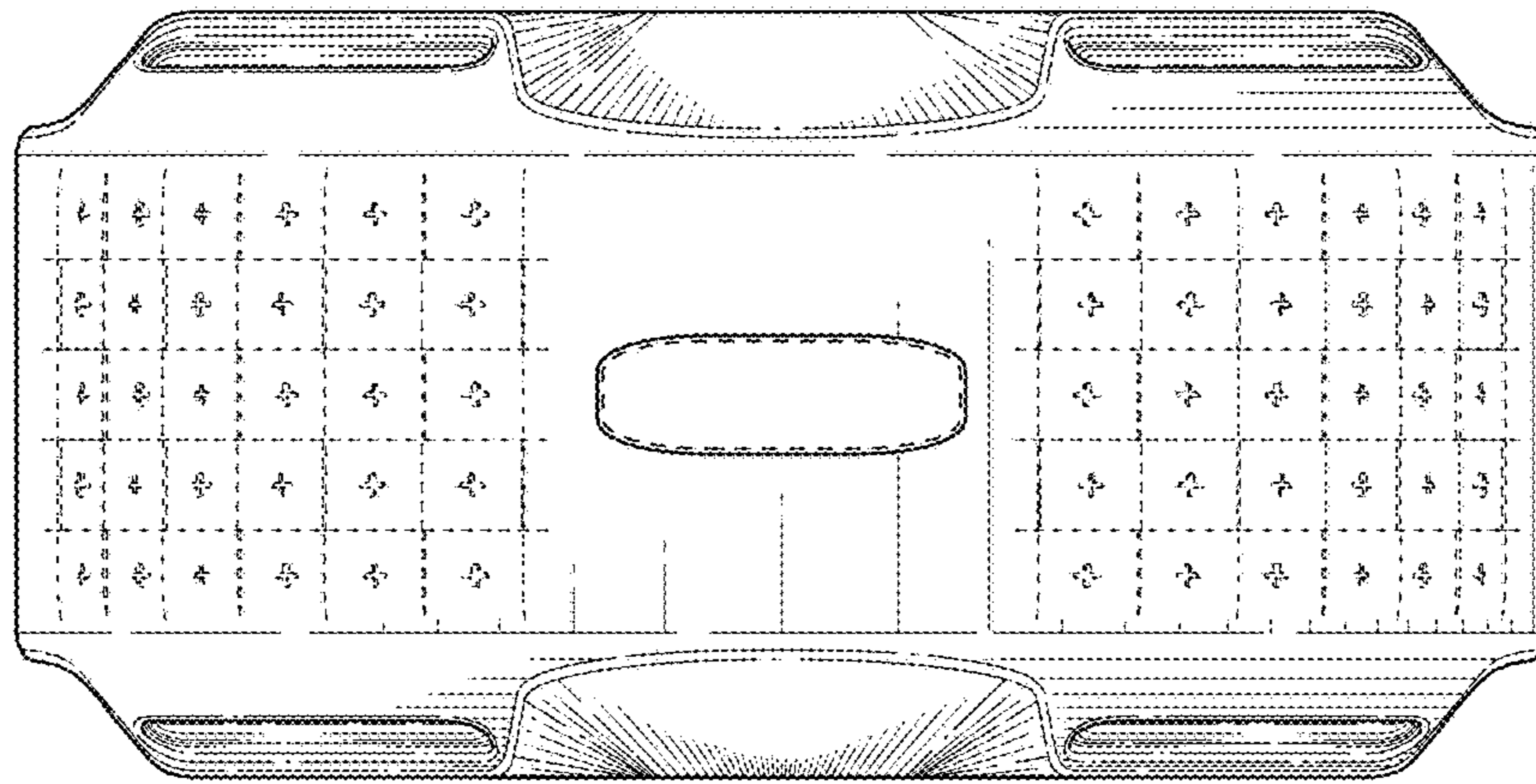


FIG. 5