



US00D851182S

(12) **United States Design Patent** (10) **Patent No.:** **US D851,182 S**
Syme et al. (45) **Date of Patent:** **** Jun. 11, 2019**

(54) **CONTAINER** 4,995,526 A * 2/1991 Garrison A47J 47/18
15/264
(71) Applicants: **Mary Dianne Syme**, New Castle, IN D398,663 S * 9/1998 Freeland D21/532
(US); **Juanita Kay Donica**, New D417,326 S * 11/1999 Greene D32/53
Castle, IN (US) D439,022 S 3/2001 Brandeis
6,315,310 B1 * 11/2001 Hurt B62B 1/264
206/373

(72) Inventors: **Mary Dianne Syme**, New Castle, IN
(US); **Juanita Kay Donica**, New
Castle, IN (US)

(Continued)

FOREIGN PATENT DOCUMENTS

(73) Assignee: **Mary Dianne Syme**, New Castle, IN
(US)

HU 90711-0001 * 2/2006

OTHER PUBLICATIONS

(**) Term: **15 Years**

Bucket List Clip Art at Clker.com, share date 2015, <http://www.clker.com/clipart-bucket-list-1.html>, site visited Nov. 24, 2018.*

(21) Appl. No.: **29/608,327**

(Continued)

(22) Filed: **Jun. 21, 2017**

(51) **LOC (11) Cl.** **21-01**

Primary Examiner — John Windmuller

(52) **U.S. Cl.**

Assistant Examiner — John R Yeh

USPC **D21/532**

(58) **Field of Classification Search**

(74) *Attorney, Agent, or Firm* — Indiano & McConnell
LLC

USPC D21/532, 472; D32/53-54; D3/315-316

CPC A01J 9/00; B65F 1/16; F24B 15/00

See application file for complete search history.

(57) **CLAIM**

The ornamental design for a container, as shown and described.

(56) **References Cited**

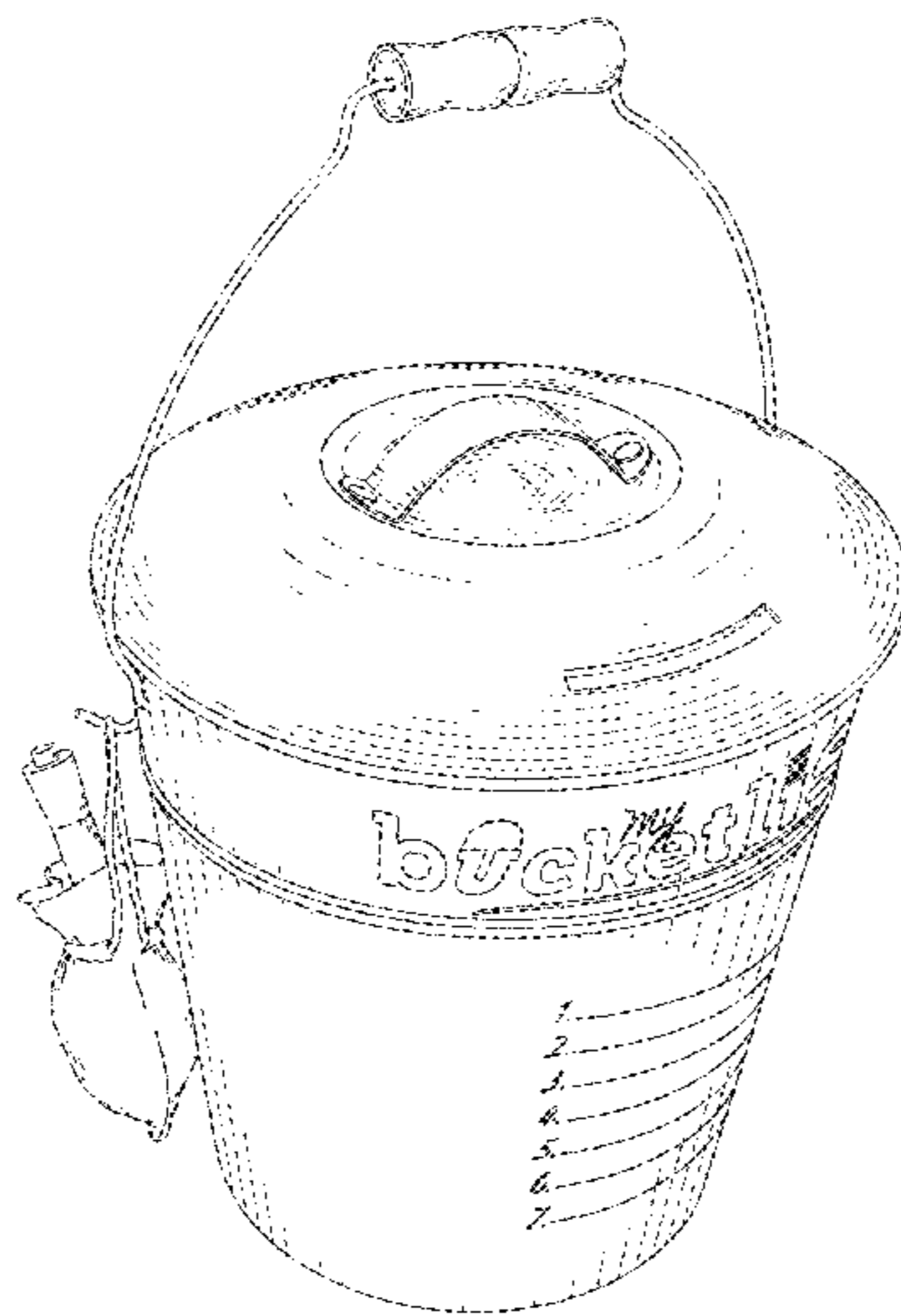
U.S. PATENT DOCUMENTS

DESCRIPTION

D16,477 S * 1/1886 Flanagan D32/53
1,608,473 A * 11/1926 Bailey F24B 15/007
209/376
1,677,222 A * 7/1928 Whitney B65F 1/1615
220/322
1,727,087 A * 9/1929 Wendle B65F 1/1615
220/212.5
D166,434 S * 4/1952 Wilkoff D32/53
D167,263 S * 7/1952 Hyman D3/237
D174,127 S * 3/1955 Kove et al. D21/472
D189,700 S * 1/1961 Bliss D32/53
D222,951 S * 2/1972 Stringer 383/38
D271,988 S * 12/1983 Rivollet D21/472
4,993,551 A * 2/1991 Lindsay B25H 3/00
150/161

FIG. 1 is a front perspective view of my design for a container;
FIG. 2 is a front elevation view thereof;
FIG. 3 is a rear elevation view thereof;
FIG. 4 is a right side elevation view thereof;
FIG. 5 is a left side elevation view thereof;
FIG. 6 is a top plan view thereof; and,
FIG. 7 is a bottom plan view thereof.
The broken lines in the drawings show features of the container that form no part of the claimed design.

1 Claim, 4 Drawing Sheets



(56)

References Cited

U.S. PATENT DOCUMENTS

D462,491 S 9/2002 Hauenstein
 D469,233 S 1/2003 Begnani
 D477,702 S 7/2003 Kohn
 D488,355 S 4/2004 Irvine
 D527,153 S 8/2006 Morad et al.
 D527,506 S 8/2006 Camp, Jr. et al.
 D544,669 S 6/2007 Casteel et al.
 D546,514 S 7/2007 Byrne
 D560,977 S 2/2008 Lown et al.
 D589,214 S 3/2009 Johnston
 D593,269 S 5/2009 Weiler
 D602,694 S * 10/2009 Alvarez D3/315
 D618,413 S 6/2010 Berti
 D620,661 S 7/2010 Tsai
 D633,675 S 3/2011 Libman et al.
 D634,165 S 3/2011 Yang
 D647,268 S 10/2011 Chen
 D648,537 S 11/2011 Kostner

D683,510 S 5/2013 Schick
 D684,328 S 6/2013 Vasilakes et al.
 D685,559 S * 7/2013 Kessler D21/472
 D707,003 S 6/2014 Freudenberg
 D723,113 S * 2/2015 Wang D21/532
 D728,035 S * 4/2015 Kneller D21/472
 D748,880 S 2/2016 Lentine
 D780,453 S * 3/2017 Carrasco D3/315
 D804,744 S * 12/2017 Cooper D30/161
 D818,659 S * 5/2018 Foss D32/53

OTHER PUBLICATIONS

Google Express—Reviews for—Bucket List 2018, site visited Nov. 24, 2018, https://express.google.com/u/0/product/12354651873349480924_1140667255736468477.
 My Ultimate Bucket List, Picadilly website 2015, <http://picadillyinc.com/my-ultimate-bucket-list/>, site visited Nov. 24, 2018.*

* cited by examiner

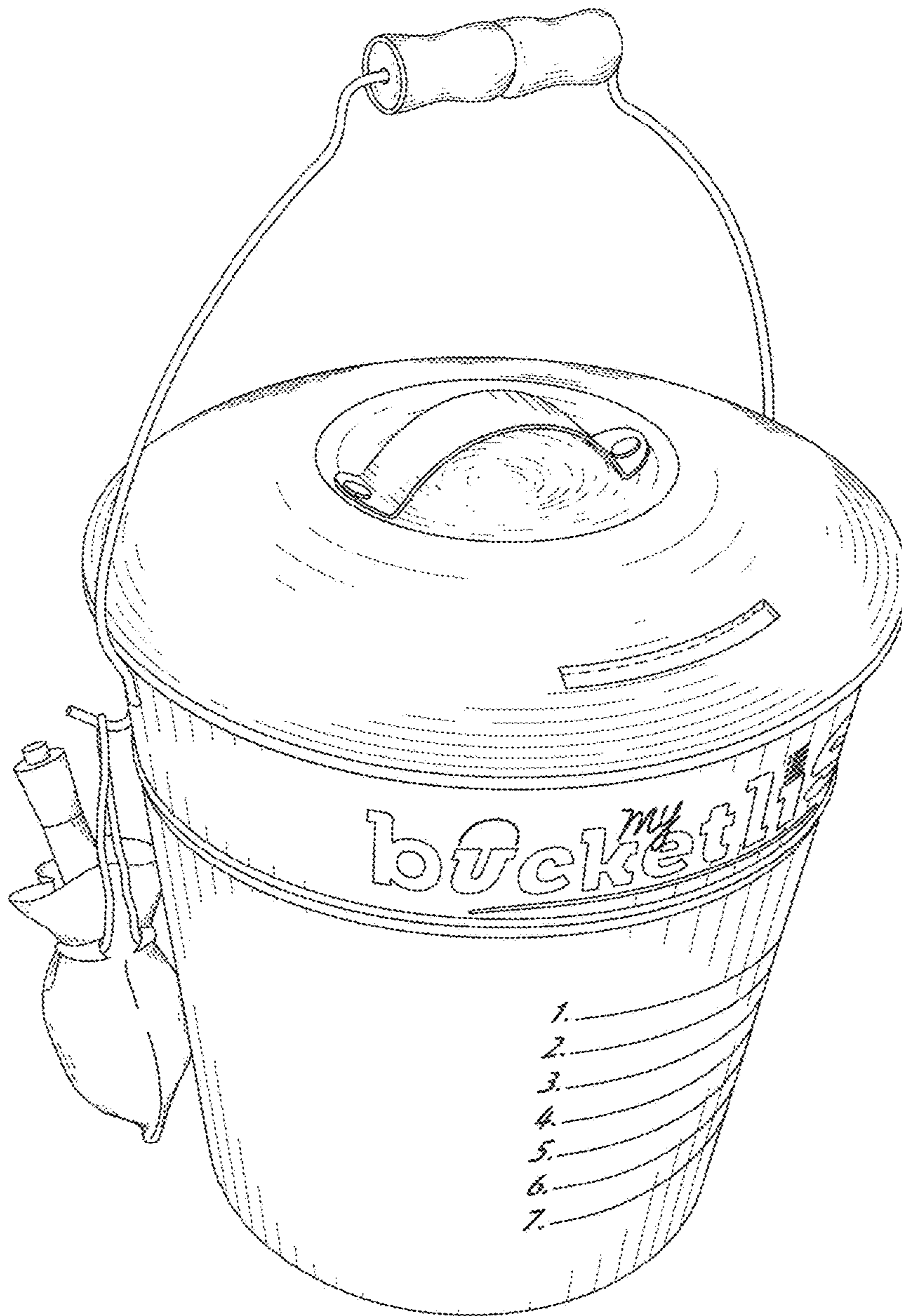


FIG. 1

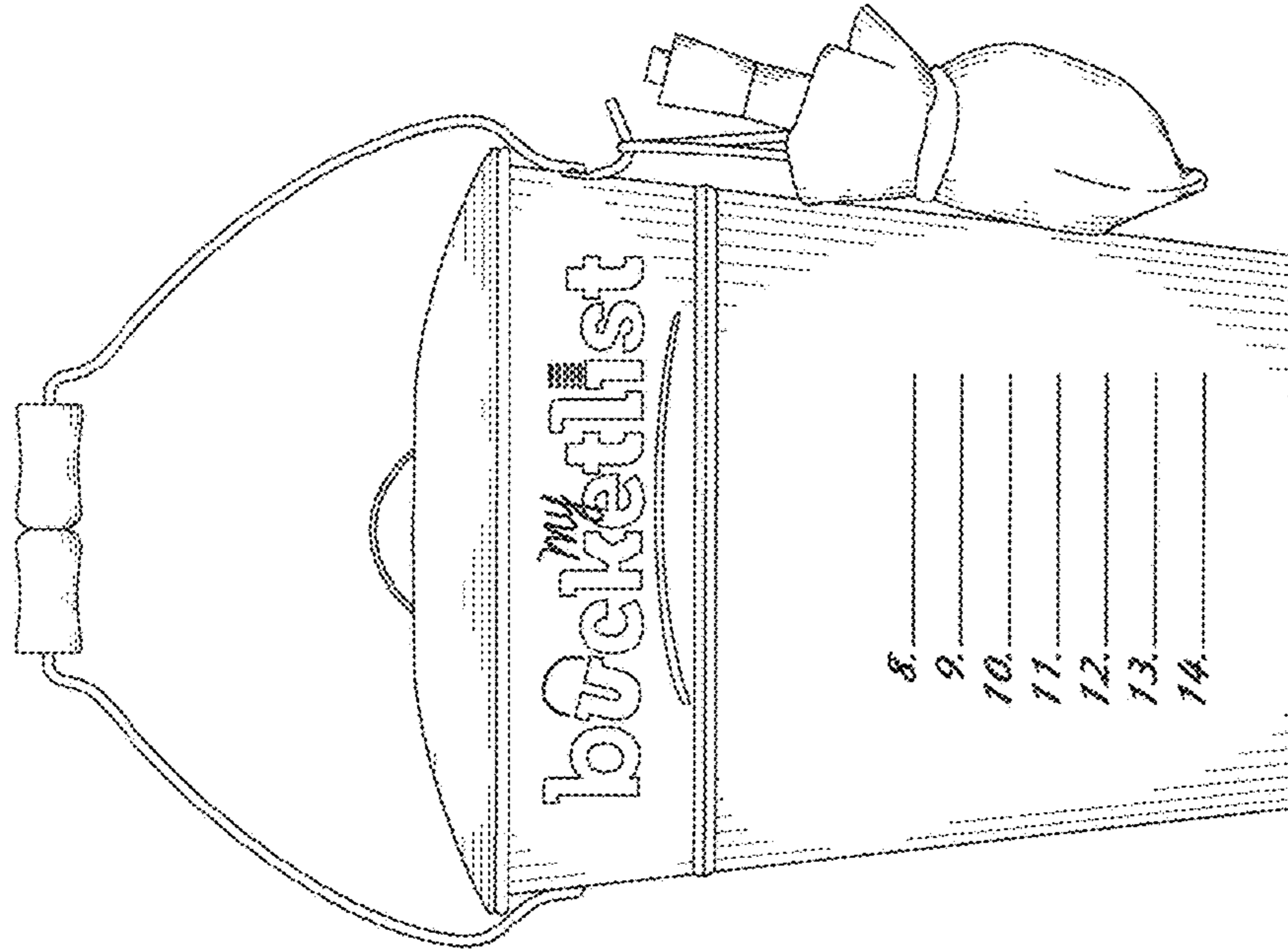


FIG. 2

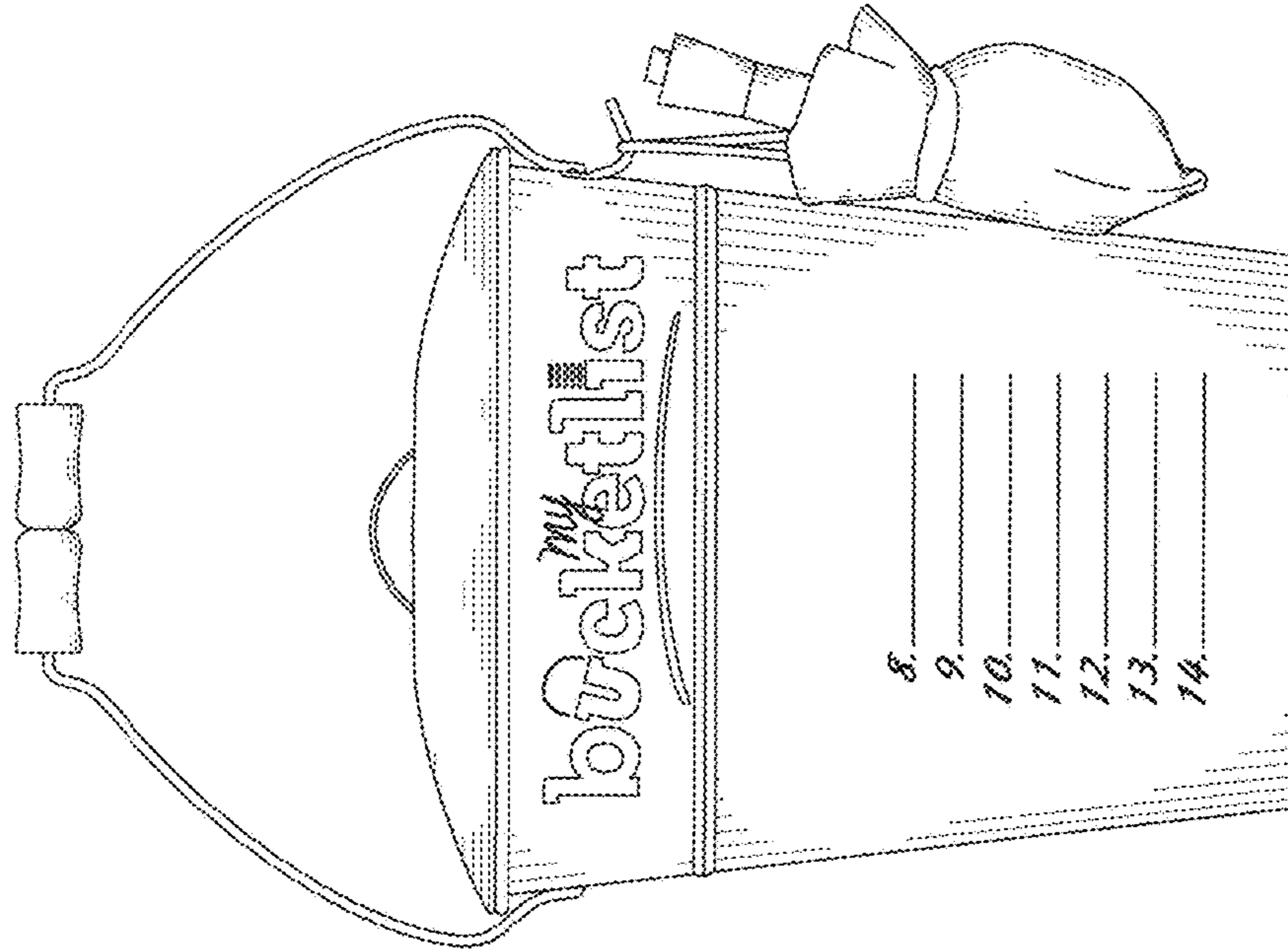


FIG. 3

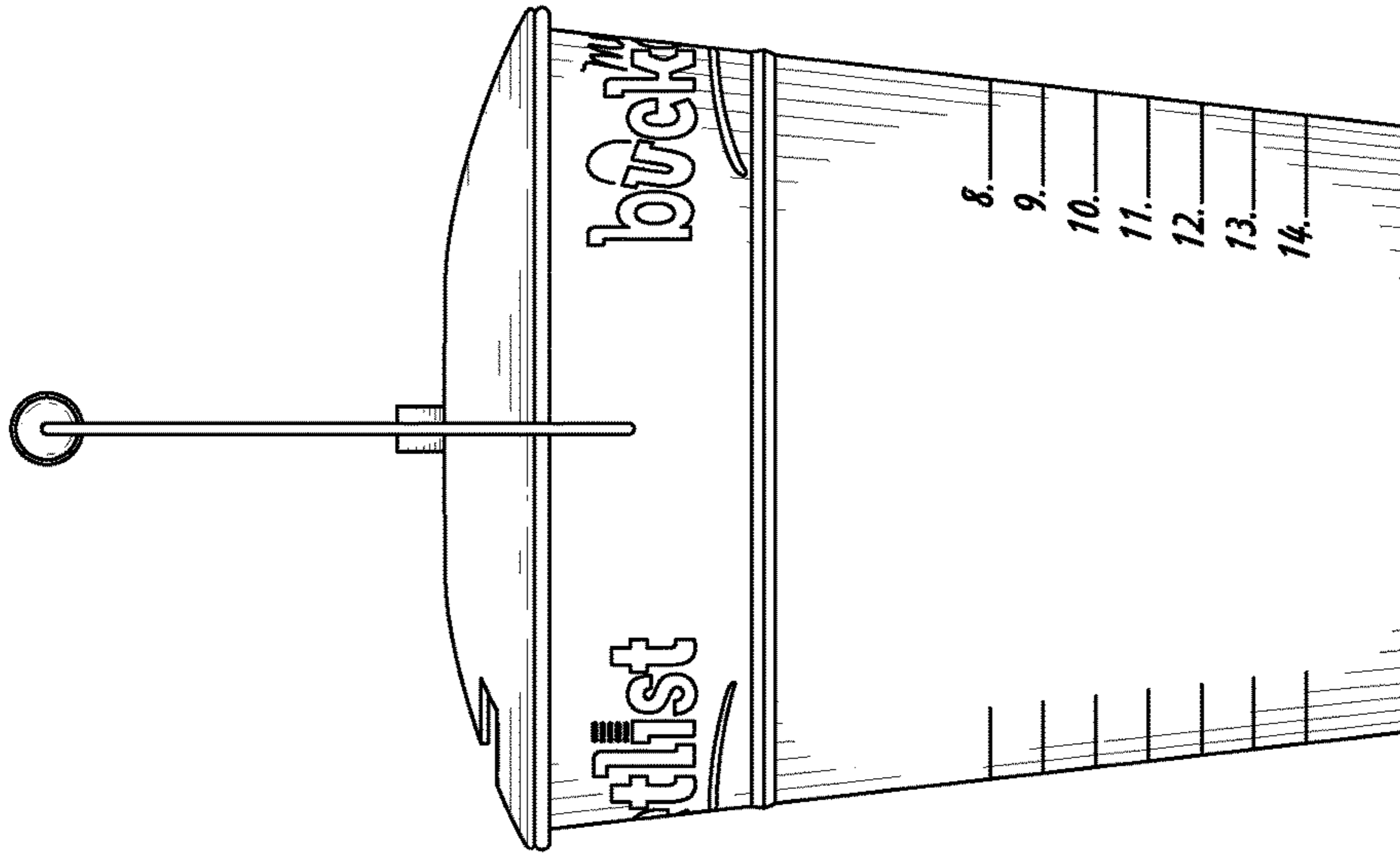


FIG. 4

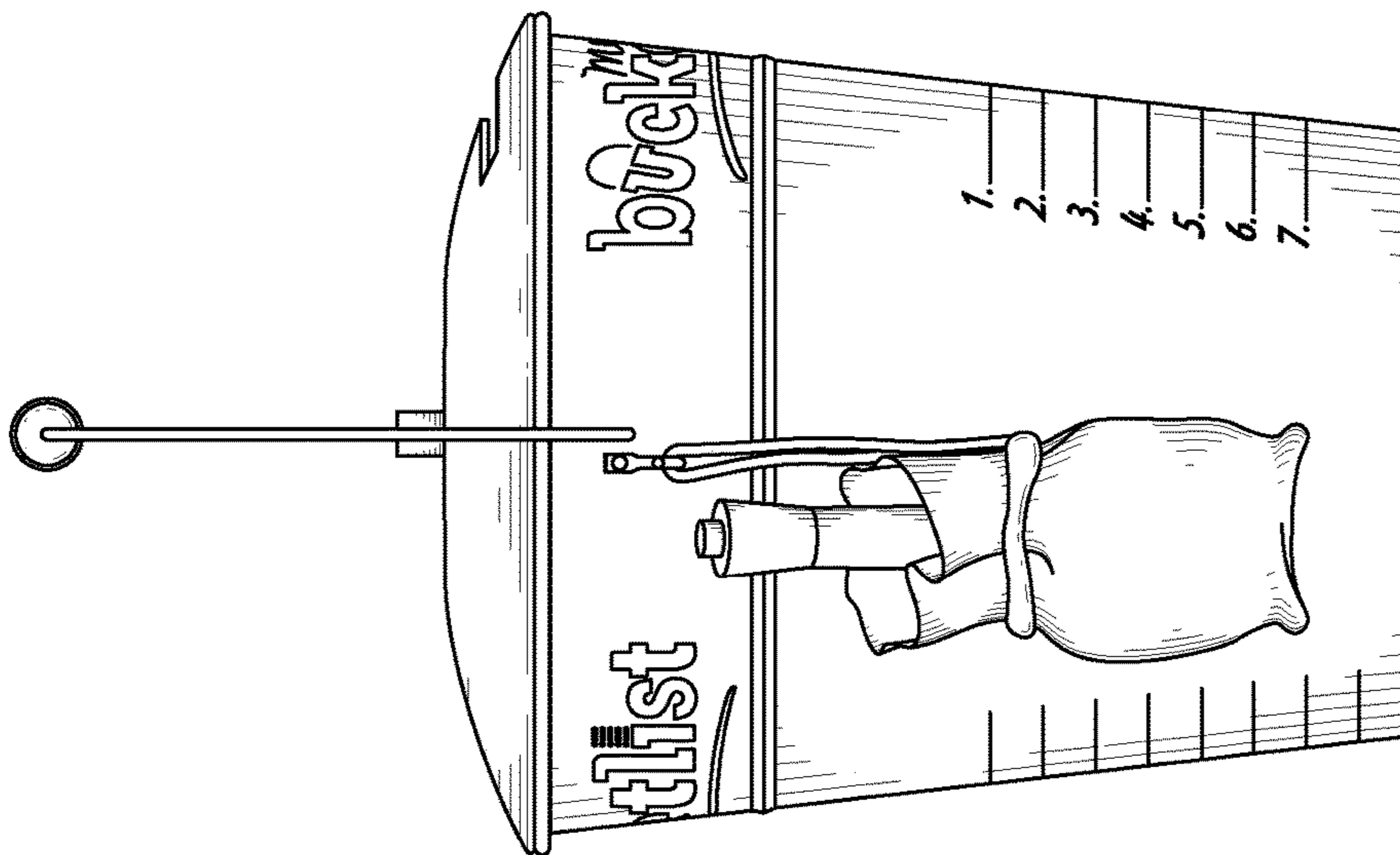


FIG. 5

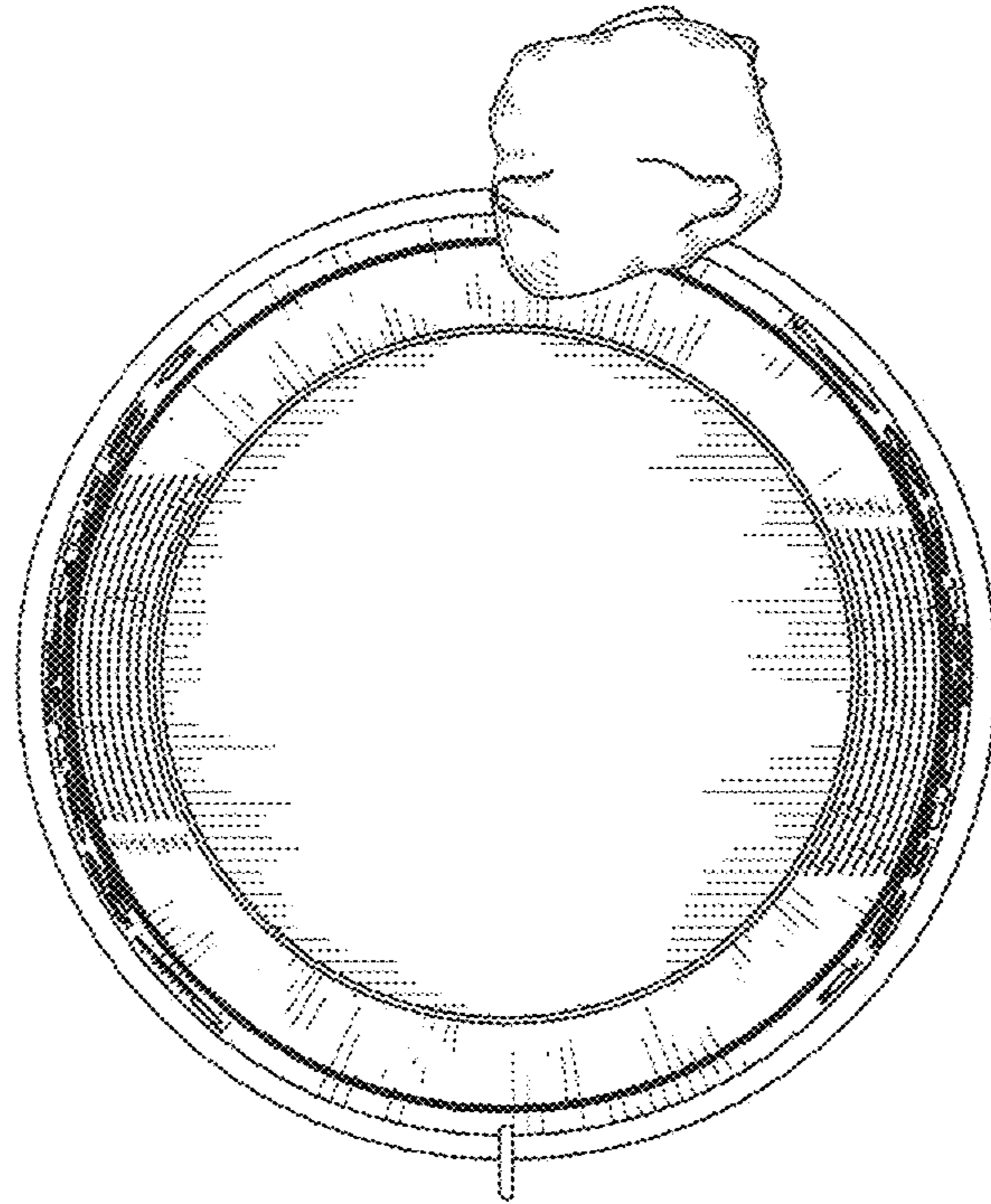


FIG. 7

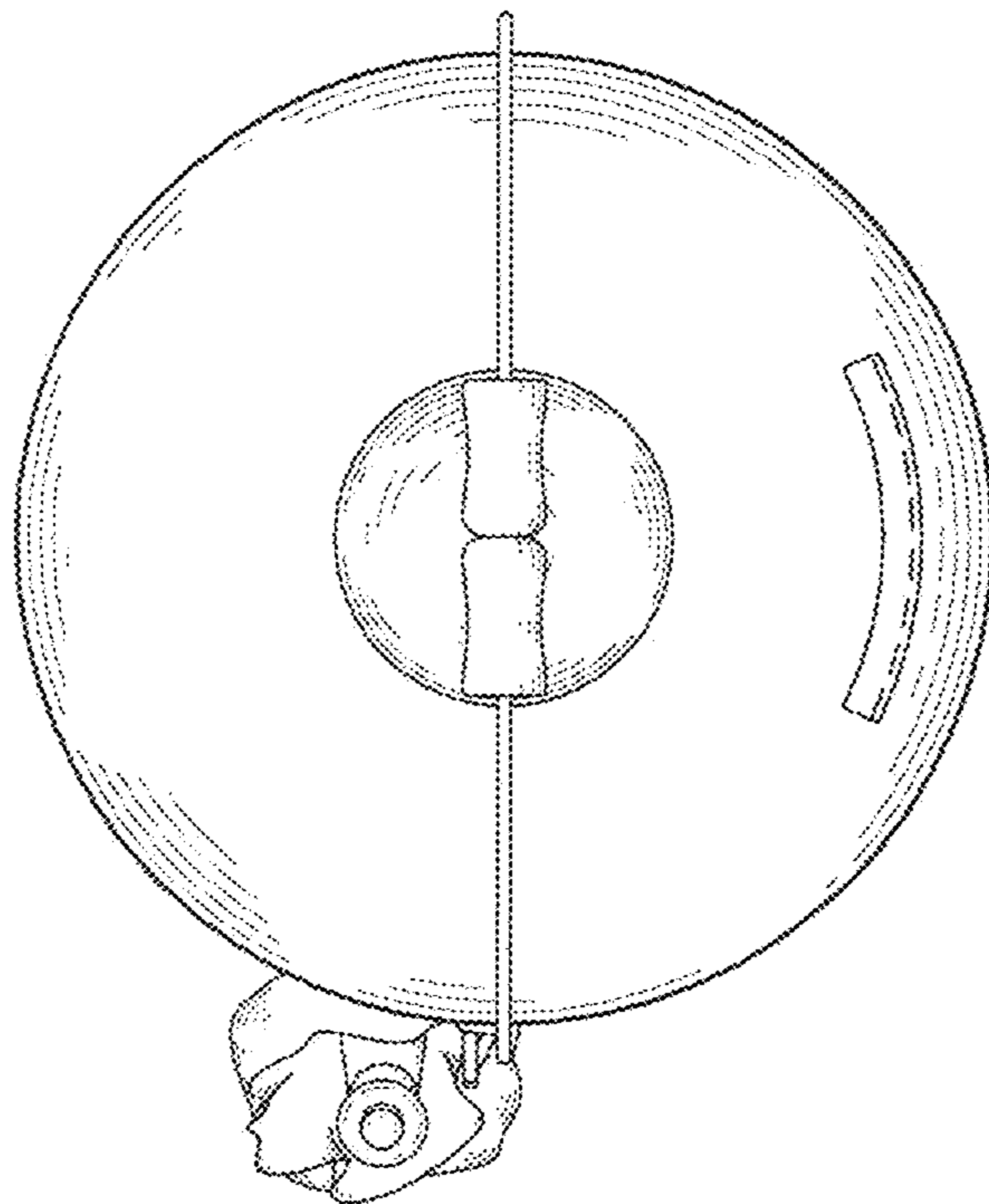


FIG. 6