



US00D851181S

(12) **United States Design Patent** (10) **Patent No.:** **US D851,181 S**
Wintour (45) **Date of Patent:** **** Jun. 11, 2019**

- (54) **CONSTRUCTION SET ELEMENT**
- (71) Applicant: **MEGA Brands Inc.**, Montreal (CA)
- (72) Inventor: **Dawn Elizabeth Pitcher Wintour**, Montreal (CA)
- (73) Assignee: **MEGA Brands Inc.**, Montreal, Quebec (CA)
- (**) Term: **15 Years**
- (21) Appl. No.: **29/562,524**
- (22) Filed: **Apr. 26, 2016**
- (51) **LOC (11) Cl.** **21-01**
- (52) **U.S. Cl.**
USPC **D21/505; D21/503**
- (58) **Field of Classification Search**
USPC D21/386, 389, 404, 468, 470, 471,
D21/484–505; 446/69, 85, 102–128;
434/208, 259, 403; 273/153, 156, 160;
D25/113–116, 118
CPC A63H 33/00; A63H 33/04; A63H 33/06;
A63H 33/08; A63H 33/084; A63H
33/086; A63H 33/088; A63H 33/10;
A63H 33/105; A63H 33/108; A63H 33/52
See application file for complete search history.

(56) **References Cited**

U.S. PATENT DOCUMENTS

- 2,049,097 A * 7/1936 Winnemore A63H 17/002
446/96
- D236,621 S * 9/1975 Howard 239/43
- D272,255 S * 1/1984 Chatani D21/502
- D311,940 S 11/1990 Anderson
- D312,105 S 11/1990 Olsen et al.
- D314,405 S 2/1991 Pedersen et al.
- D317,635 S * 6/1991 Eggert D21/492
- D318,696 S 7/1991 Hoyer et al.
- D319,267 S 8/1991 Oyer et al.
- D332,471 S 1/1993 Rahbek
- D332,472 S 1/1993 Rahbek
- D332,644 S 1/1993 Rahbek

- D335,157 S 4/1993 Rahbek
 - D335,158 S * 4/1993 Rahbek D21/492
 - D335,161 S * 4/1993 Rahbek D21/492
- (Continued)

OTHER PUBLICATIONS

Brick 2x2x1 1/2—Curved Top, No. 11170 from PrintABrick.org, part available as early as 2013, [site visited Sep. 14, 2018]. Available from Internet: <https://printabrick.org/parts/11170>.*
 Brick 2x3x2 with Curved Top, No. 11344 from PrintABrick.org, part available as early as 2013, [site visited Sep. 14, 2018]. Available from Internet: <https://printabrick.org/parts/11344>.*
 “Duplo Brick 2x3x2 with Inside Curve.” Lego Part 2301, first produced 1991 according to: <URL: http://www.peeron.com/inv/parts/2301>, 3 pages.

(Continued)

Primary Examiner — Cynthia M. Chin
 (74) *Attorney, Agent, or Firm* — Plumsea Law Group, LLC

(57) **CLAIM**

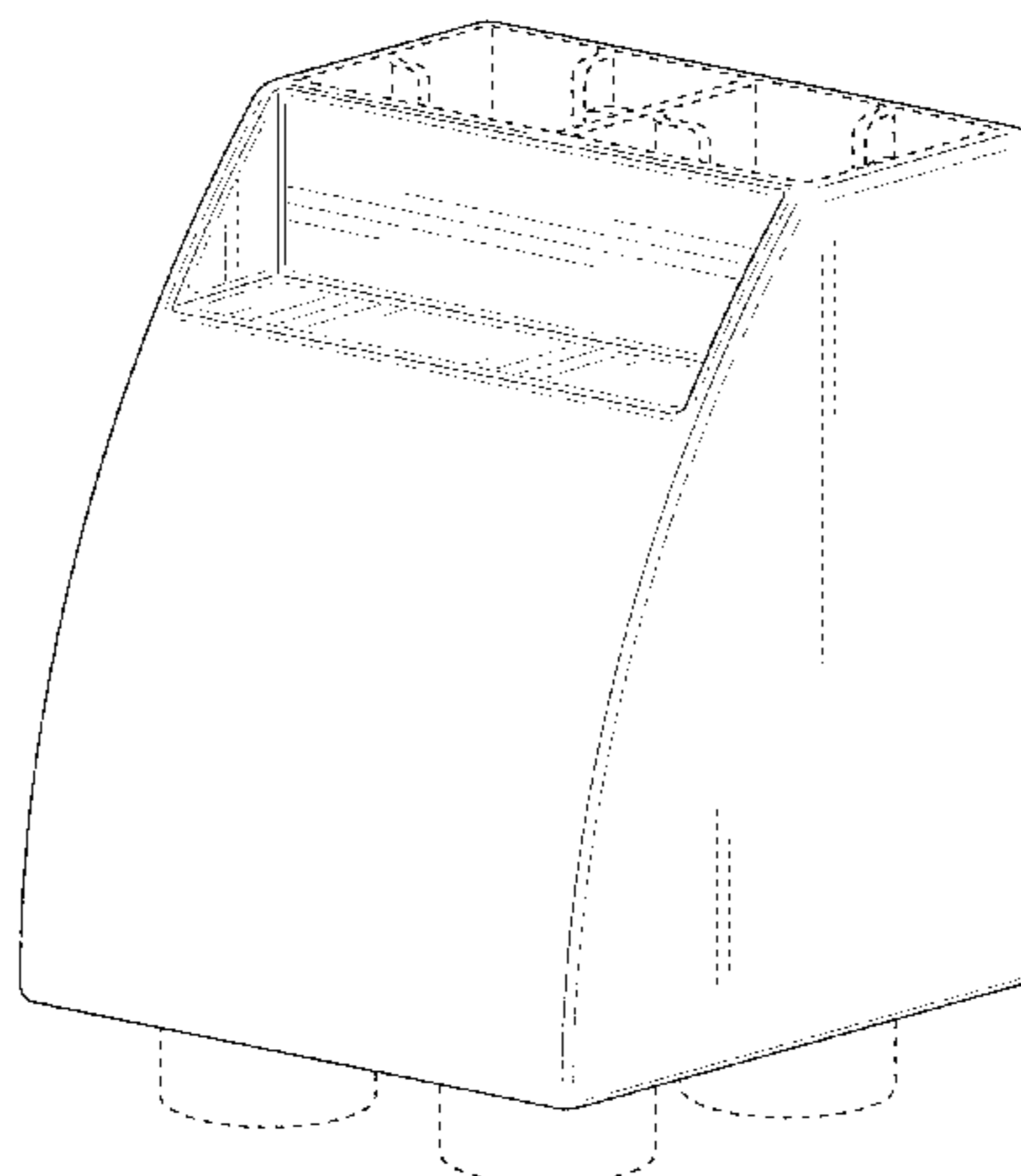
The ornamental design for a construction set element, as shown and described.

DESCRIPTION

FIG. 1 is a top isometric perspective view of a construction set element showing the new design;
 FIG. 2 is a front elevational view of the construction set element of FIG. 1;
 FIG. 3 is a rear elevational view of the construction set element of FIG. 1;
 FIG. 4 is a left side elevational view of the construction set element of FIG. 1;
 FIG. 5 is a right side elevational view of the construction set element of FIG. 1;
 FIG. 6 is a top plan view of the construction set element of FIG. 1; and,
 FIG. 7 is a bottom plan view of the construction set element of FIG. 1.

The broken lines and unshaded areas are included to identify parts of the article’s appearance that form no part of the claimed design.

1 Claim, 7 Drawing Sheets



(56)

References Cited

U.S. PATENT DOCUMENTS

D337,355 S	7/1993	Voldmester	
D337,356 S	7/1993	Voldmester	
D350,789 S	9/1994	Ryaa et al.	
D354,527 S	1/1995	Ryaa et al.	
D394,467 S *	5/1998	Nielsen	D21/497
D506,800 S *	6/2005	Auberger	D21/814
D641,054 S	7/2011	Clausen	
D667,508 S *	9/2012	Frederiksen	D21/503
D672,406 S	12/2012	Sas	
D689,957 S	9/2013	Jensen	
D692,115 S *	10/2013	Ramberg	D23/365
D701,921 S	4/2014	Andersen	
D701,924 S	4/2014	Jensen	
D758,502 S *	6/2016	Sorensen	D21/505
D771,200 S *	11/2016	Ryaa	D21/505
D809,611 S *	2/2018	Deblois	D21/503

OTHER PUBLICATIONS

“LEGO Duplo Drawer 2x2x28.8.” Lego Part 4890, available from 2003 according to: <URL: <http://www.brickowl.com/catalog/lego-duplo-drawer-2-x-2-x-28-8-4890>>, 2 pages.

“Duplo Furniture Cabinet 2x2x1.5,” Lego Part 4890, first produced 1986 according to: <URL: <http://www.peeron.com/inv/parts/4890>>, 2 pages.

“LEGO Duplo Brick with Curve 2x2x1.5.” Lego Part 11169, available from 2013 according to: <URL: <http://www.brickowl.com/catalog/lego-duplo-brick-with-curve-2-x-2-x-1-5-11169>>, 2 pages.

“LEGO Duplo Slope 45° 2x2x1.5 with Curved Side.” Lego Part 11170, available from 2013 according to: <URL: <http://www.brickowl.com/catalog/lego-duplo-slope-45-2-x-2-x-1-5-with-curved-side-11170>>, 2 pages.

* cited by examiner

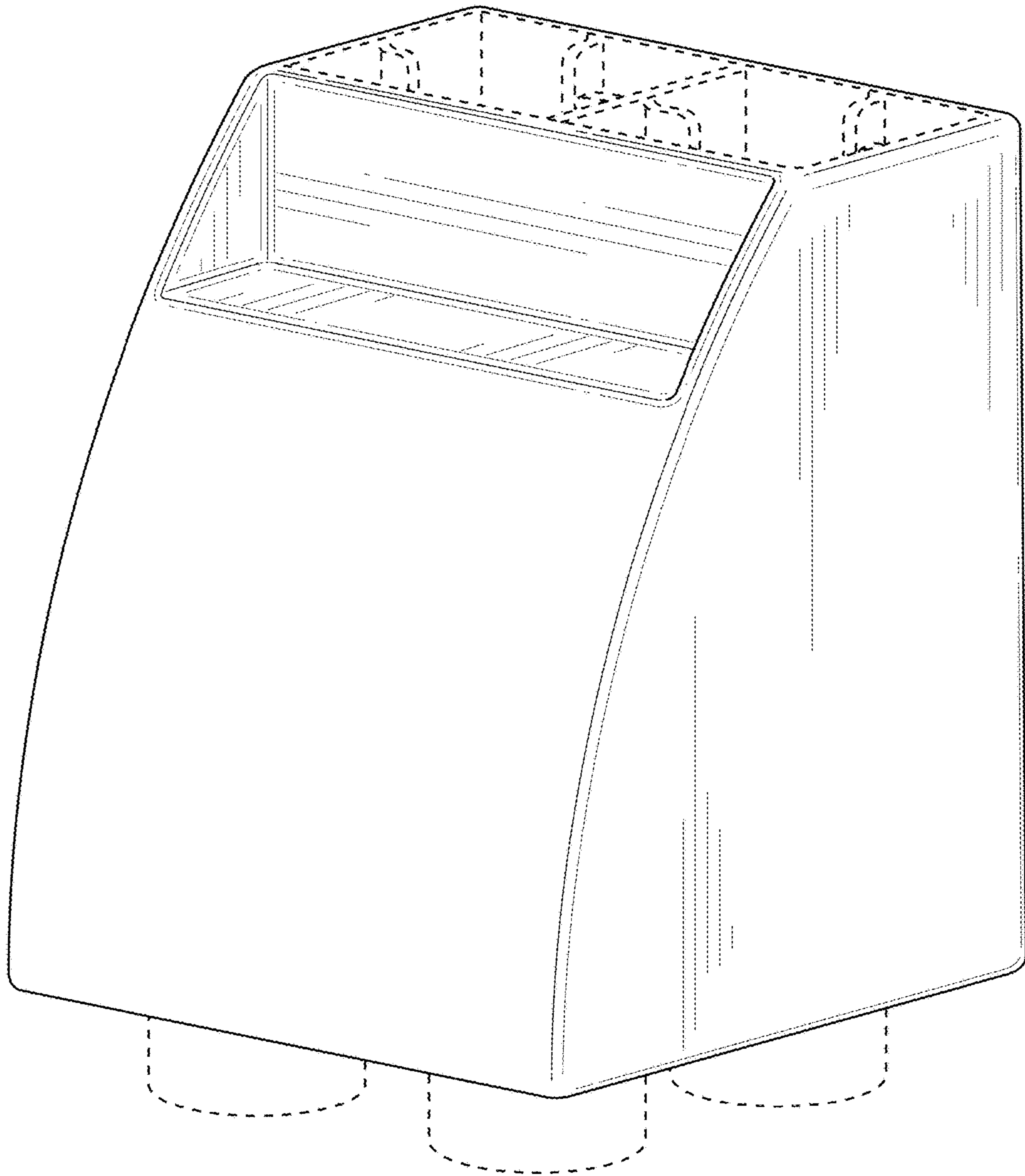


FIG. 1

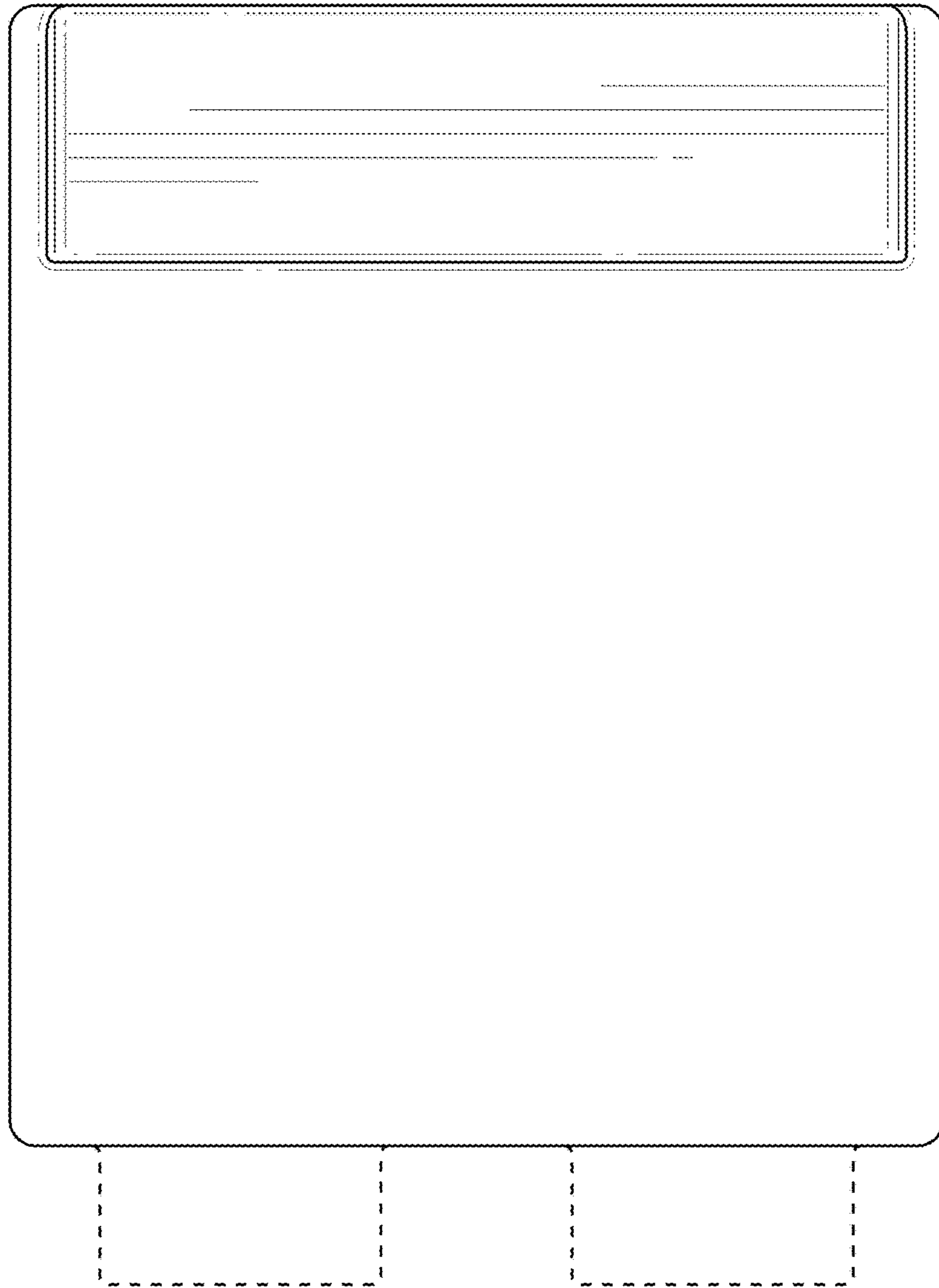


FIG. 2

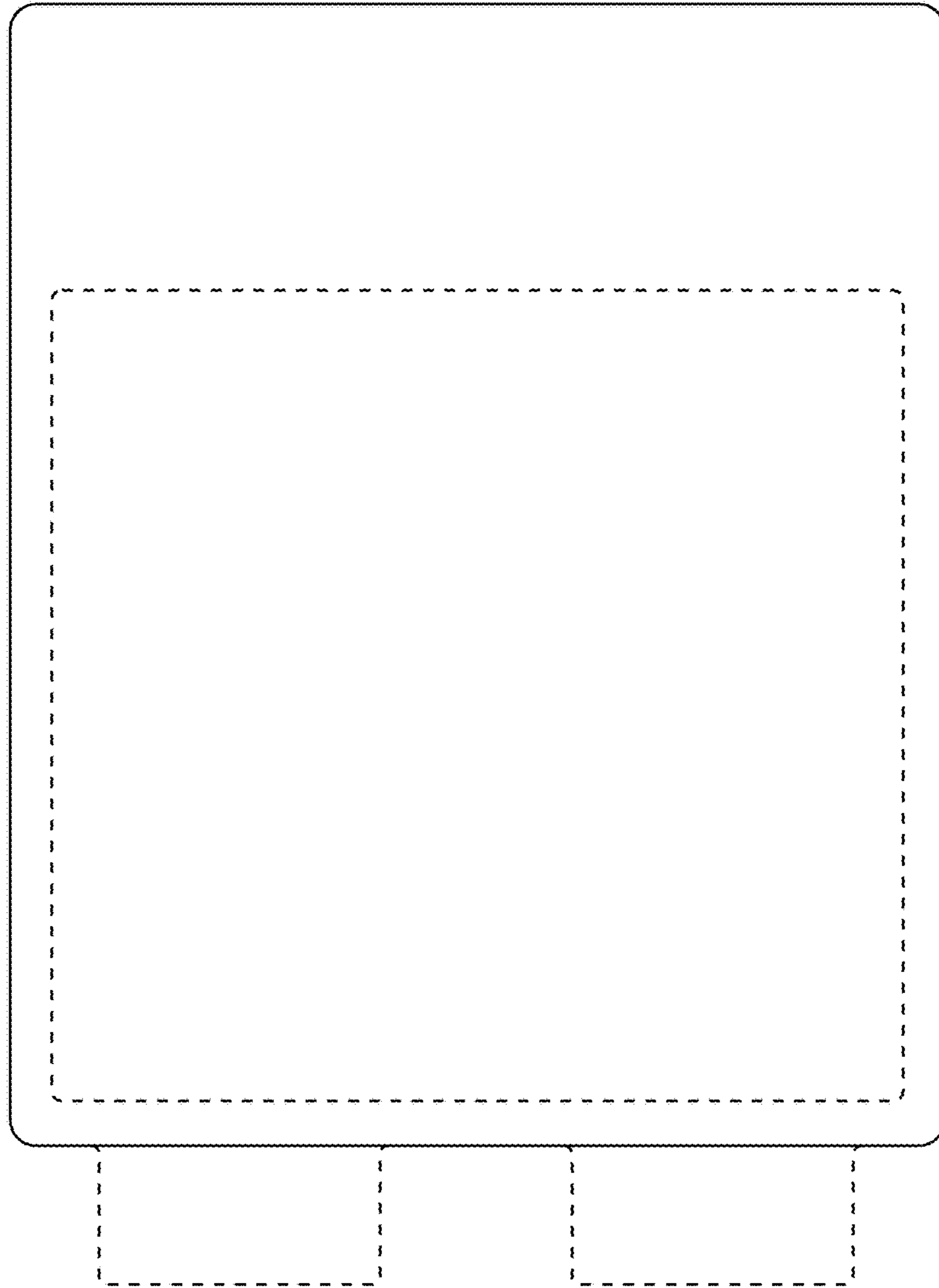


FIG. 3

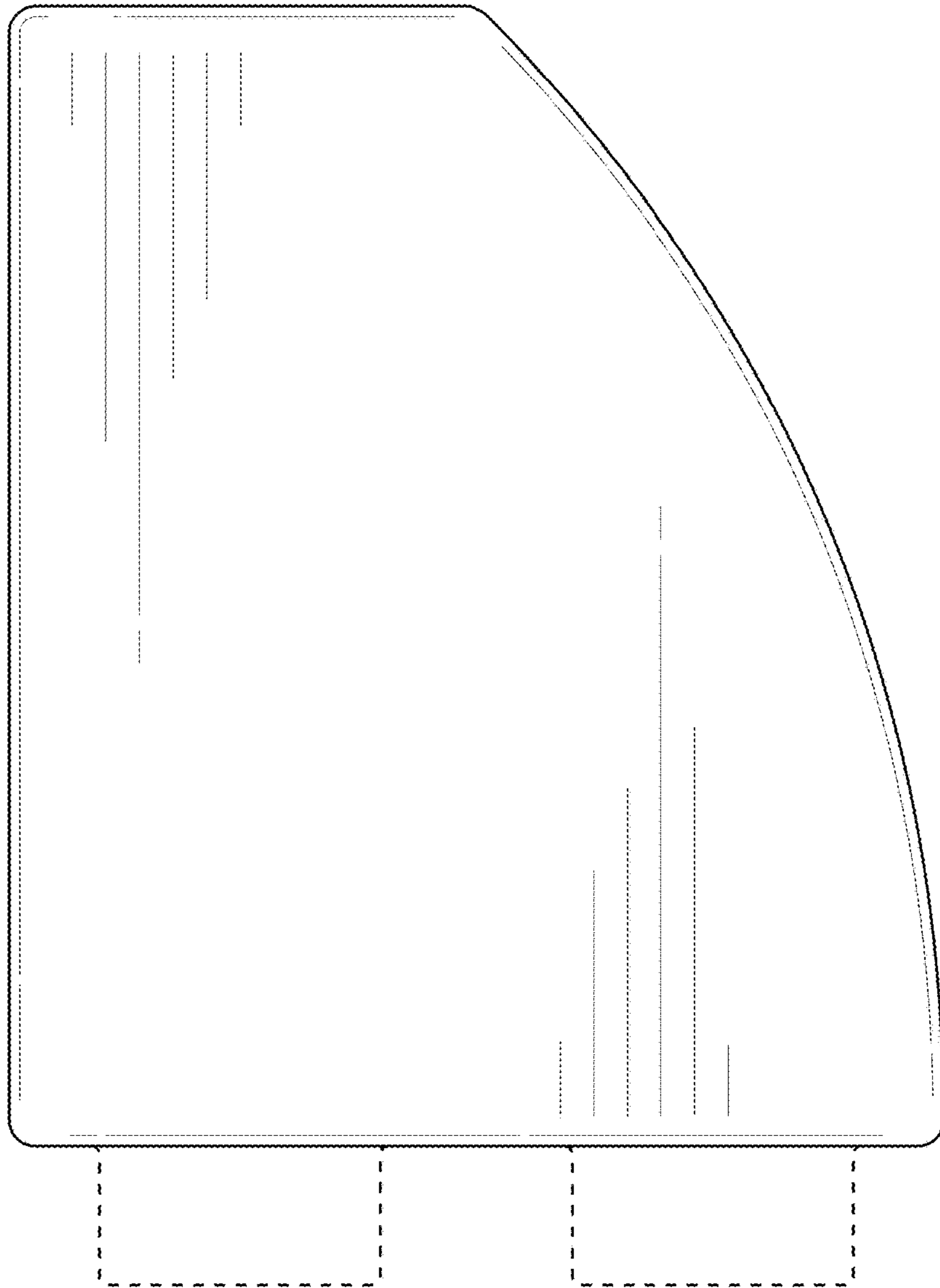


FIG. 4

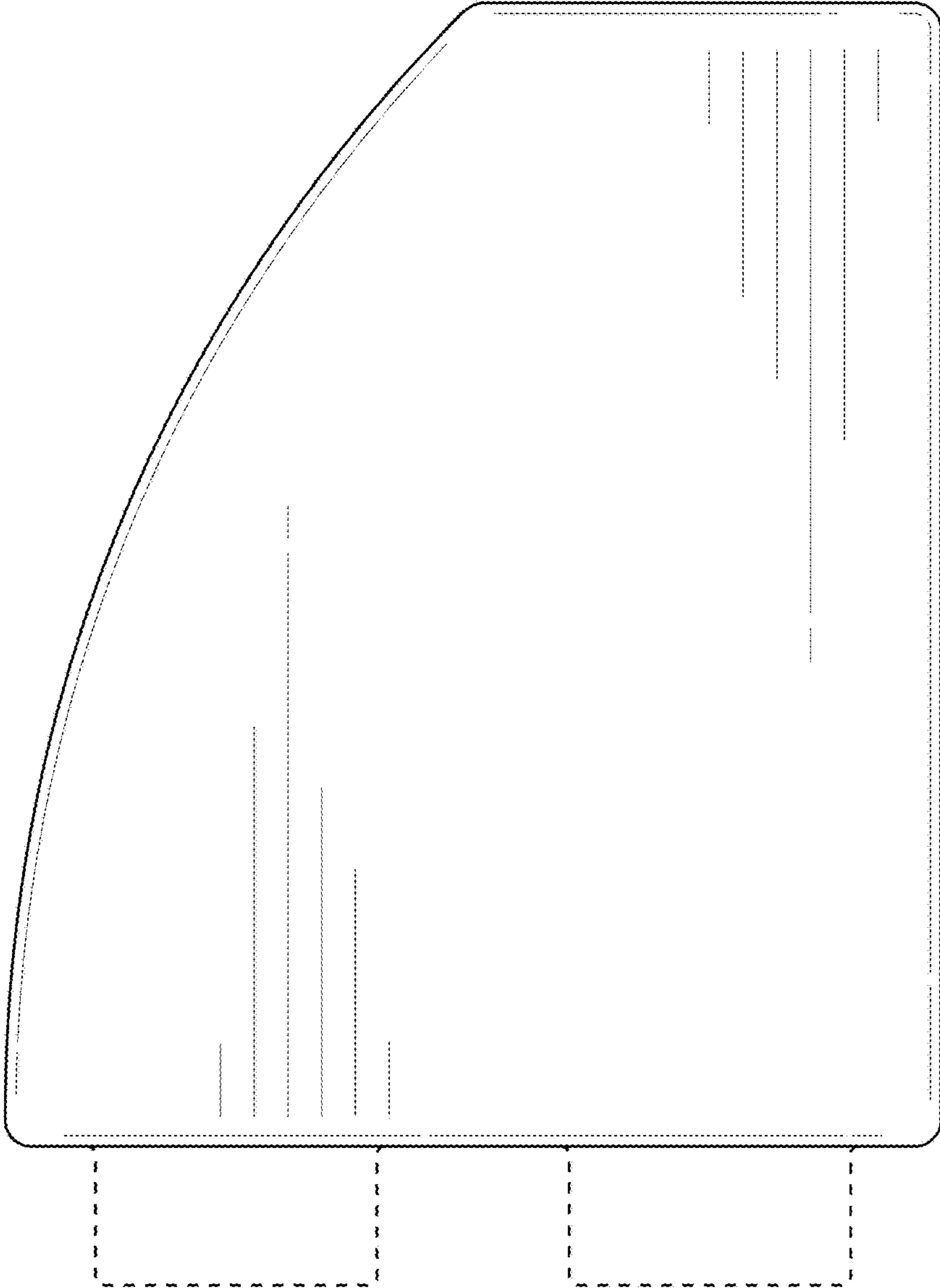


FIG. 5

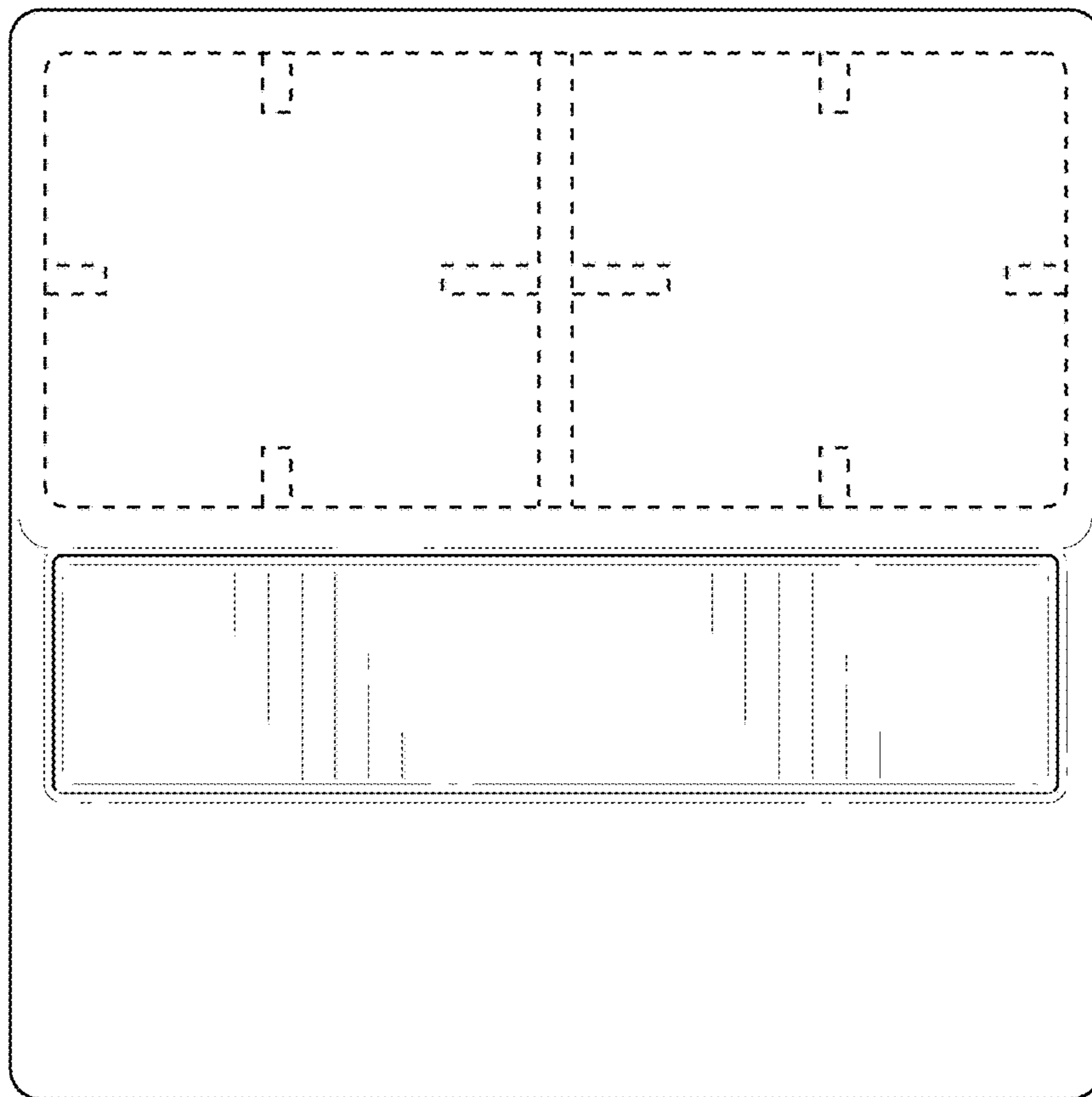


FIG. 6

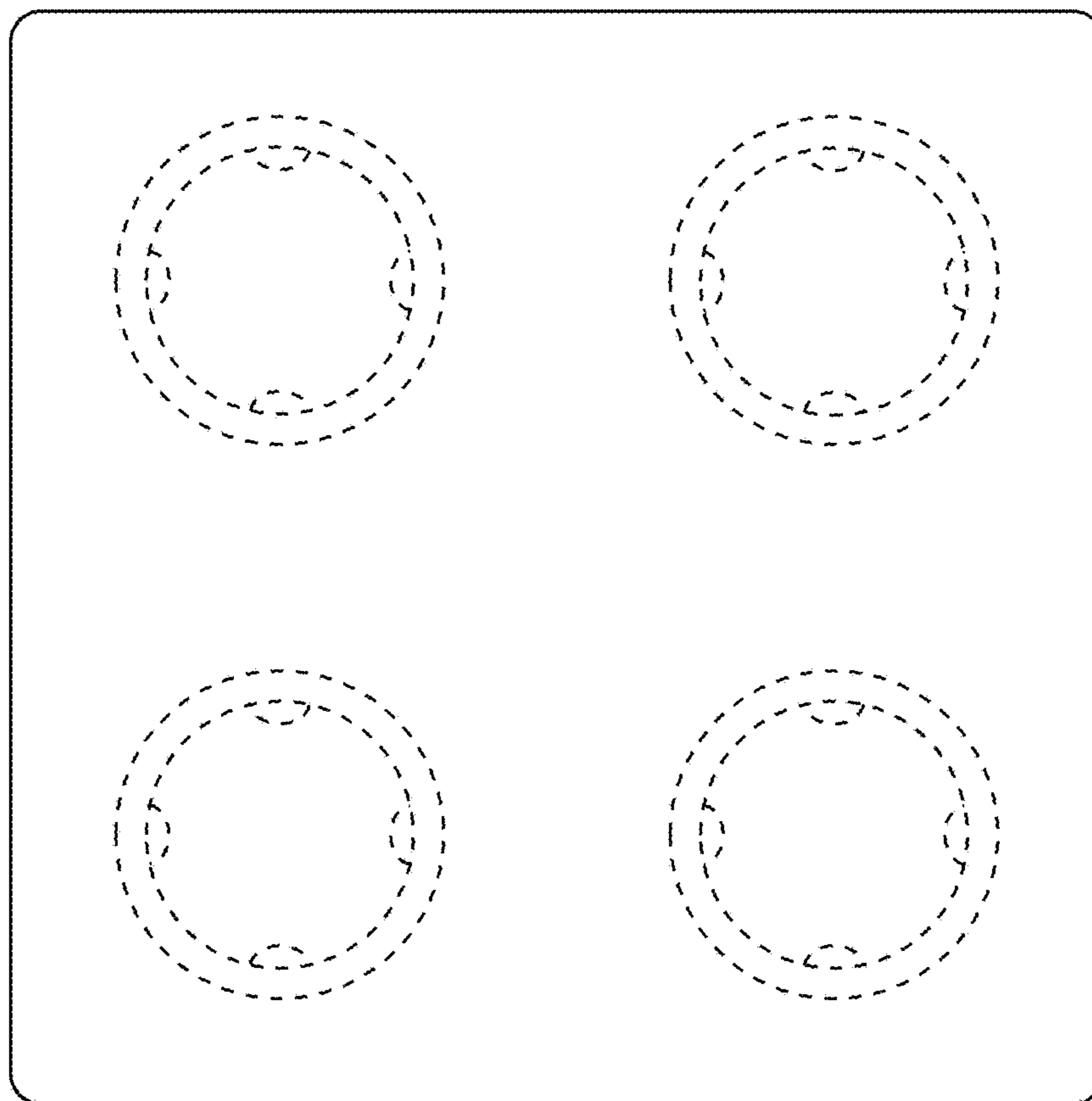


FIG. 7