



US00D851178S

(12) **United States Design Patent**
Narita

(10) **Patent No.:** **US D851,178 S**

(45) **Date of Patent:** **** Jun. 11, 2019**

(54) **SPINNING TOP TOY**

DESCRIPTION

(71) Applicant: **TOMY COMPANY, LTD.**, Tokyo (JP)

(72) Inventor: **Kouji Narita**, Tokyo (JP)

(73) Assignee: **TOMY COMPANY, LTD.**, Tokyo (JP)

(**) Term: **15 Years**

(21) Appl. No.: **29/620,219**

(22) Filed: **Aug. 25, 2016**

(30) **Foreign Application Priority Data**

Jul. 5, 2016 (JP) 2016-014332

(51) **LOC (11) Cl.** **21-01**

(52) **U.S. Cl.**
USPC **D21/460**

(58) **Field of Classification Search**
USPC D21/455-464; 446/236-266

(Continued)

(56) **References Cited**

U.S. PATENT DOCUMENTS

D629,847 S * 12/2010 Ujita D21/460

D629,848 S * 12/2010 Ujita D21/460

(Continued)

FOREIGN PATENT DOCUMENTS

CN 303359339 * 9/2015

EM 003047489-0004 * 4/2016

(Continued)

Primary Examiner — Catherine A Tuttle

(74) *Attorney, Agent, or Firm* — Staas & Halsey LLP

(57) **CLAIM**

The ornamental design for a spinning top toy, as shown and described.

FIG. 1 is a front view of the spinning top toy showing our design;

FIG. 2 is a left side view thereof;

FIG. 3 is a rear view thereof;

FIG. 4 is right side view thereof;

FIG. 5 is a top view thereof;

FIG. 6 is a bottom view thereof;

FIG. 7 is a perspective view thereof;

FIG. 8 is a front elevational view of the transparent portion of the design shown in isolation for clarity of disclosure;

FIG. 9 is a top plan view of the top surface of the transparent portion shown in isolation for clarity of disclosure;

FIG. 10 is a front view thereof corresponding to FIG. 1 but showing contour shading to the exterior parts and with the interior parts omitted for clarity of disclosure;

FIG. 11 is a left side view thereof corresponding to FIG. 2 but showing contour shading to the exterior parts and with the interior parts omitted for clarity of disclosure;

FIG. 12 is rear view thereof corresponding to FIG. 3 but showing contour shading to the exterior parts and with the interior parts omitted for clarity of disclosure;

FIG. 13 is a right side view thereof corresponding to FIG. 4 but showing contour shading to the exterior parts and with the interior parts omitted for clarity of disclosure;

FIG. 14 is a top view thereof corresponding to FIG. 5 but showing contour shading to the exterior parts and with the interior parts omitted for clarity of disclosure;

FIG. 15 is a bottom view thereof corresponding to FIG. 6 but showing contour shading to the exterior parts and with the interior parts omitted for clarity of disclosure;

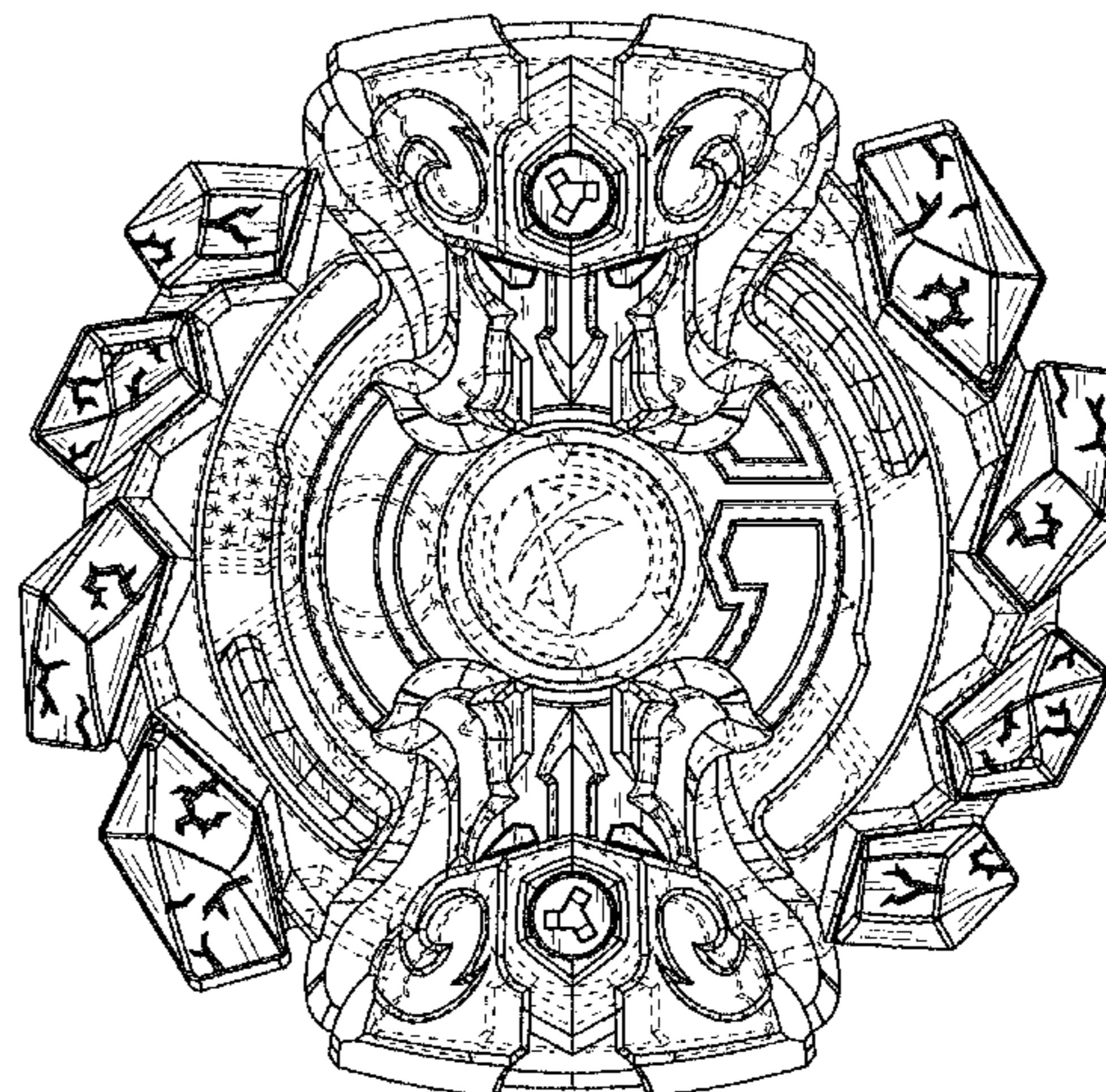
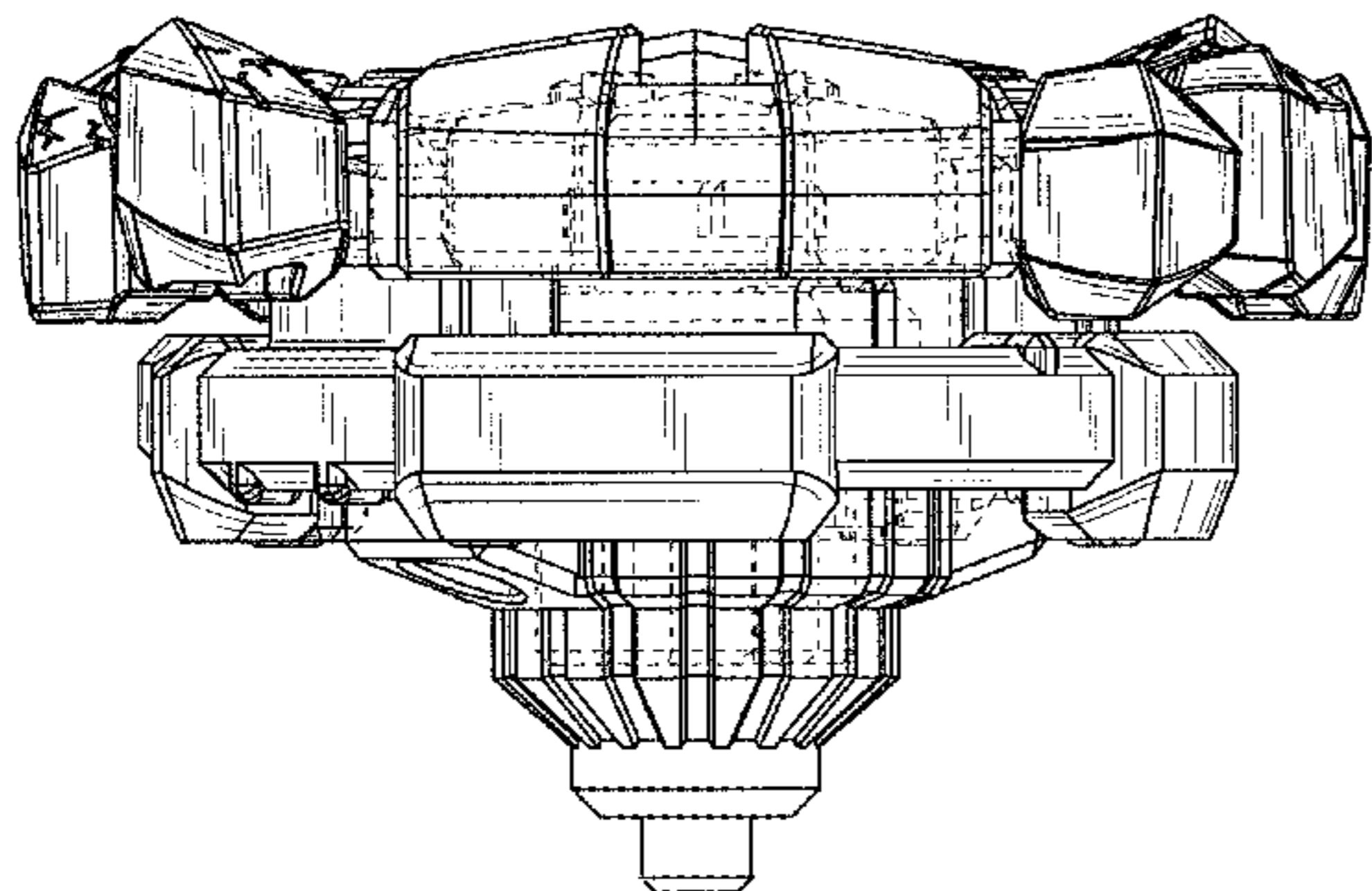
FIG. 16 is a perspective view corresponding to FIG. 7, but showing contour shading to the exterior parts and with the interior parts omitted for clarity of disclosure;

FIG. 17 is front elevational view corresponding to FIG. 8, but showing contour shading to the exterior parts and with the interior parts omitted for clarity of disclosure; and,

FIG. 18 is a top plan view corresponding to FIG. 9, but showing contour shading to the exterior parts.

The portions of the spinning top toy, shown in broken lines form no part of the claimed design.

1 Claim, 18 Drawing Sheets



(58) **Field of Classification Search**

CPC A63H 1/00-32; A63F 9/16

See application file for complete search history.

(56) **References Cited**

U.S. PATENT DOCUMENTS

D639,348 S * 6/2011 Ujita D21/460
D660,918 S * 5/2012 Ujita D21/460
D665,859 S * 8/2012 Horikoshi D21/460
D666,253 S * 8/2012 Ujita D21/460
9,849,393 B2 * 12/2017 Muraki A63H 1/00
D834,102 S * 11/2018 Muraki D21/460

FOREIGN PATENT DOCUMENTS

EM 003047489-0008 * 4/2016
EM 003318252-0007 * 8/2016
JP D1549752 * 5/2016
JP 5959773 B1 * 8/2016 A63H 1/02
JP 5969151 B1 * 8/2016 A63H 1/06

* cited by examiner

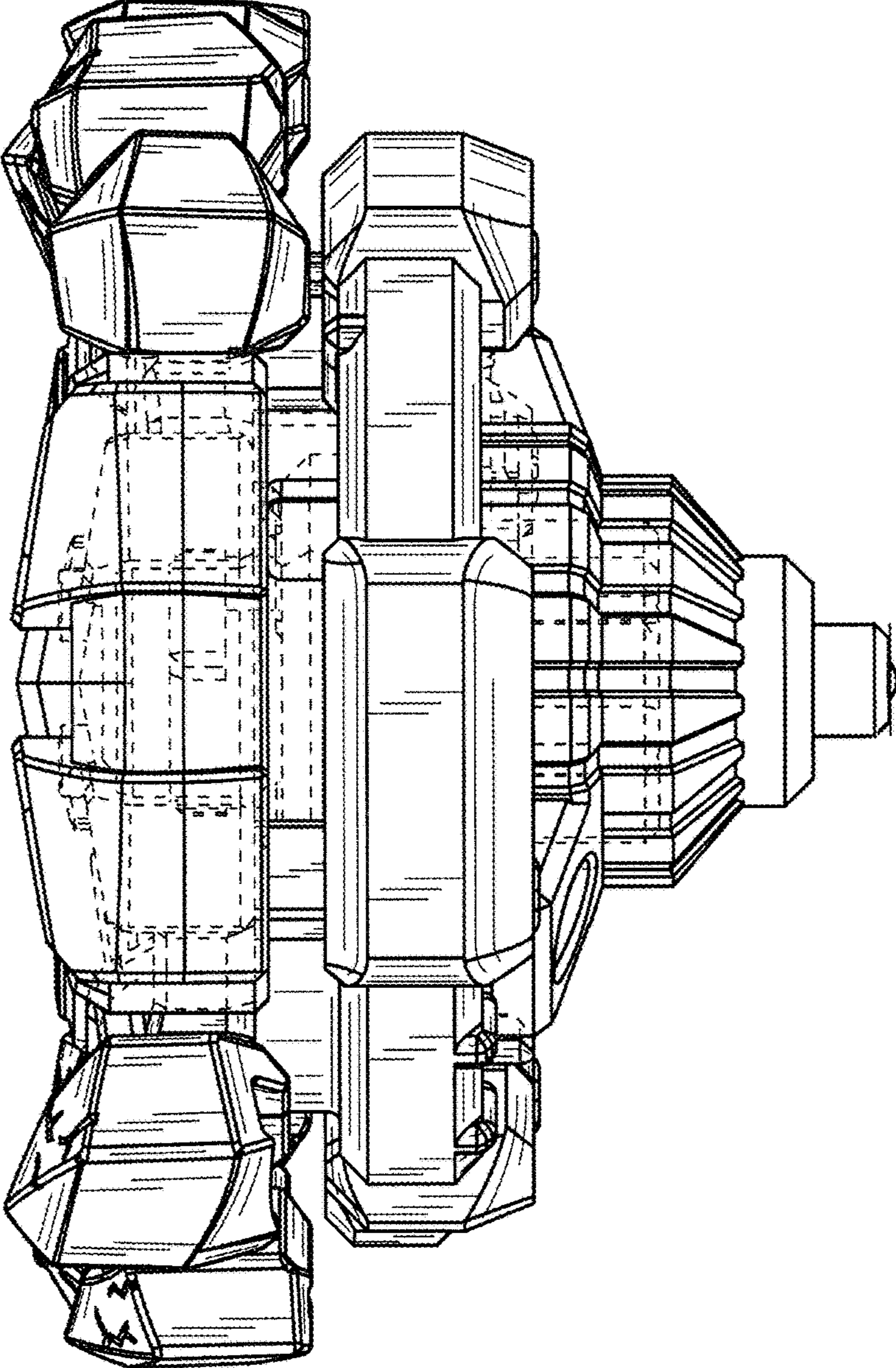


FIG. 1

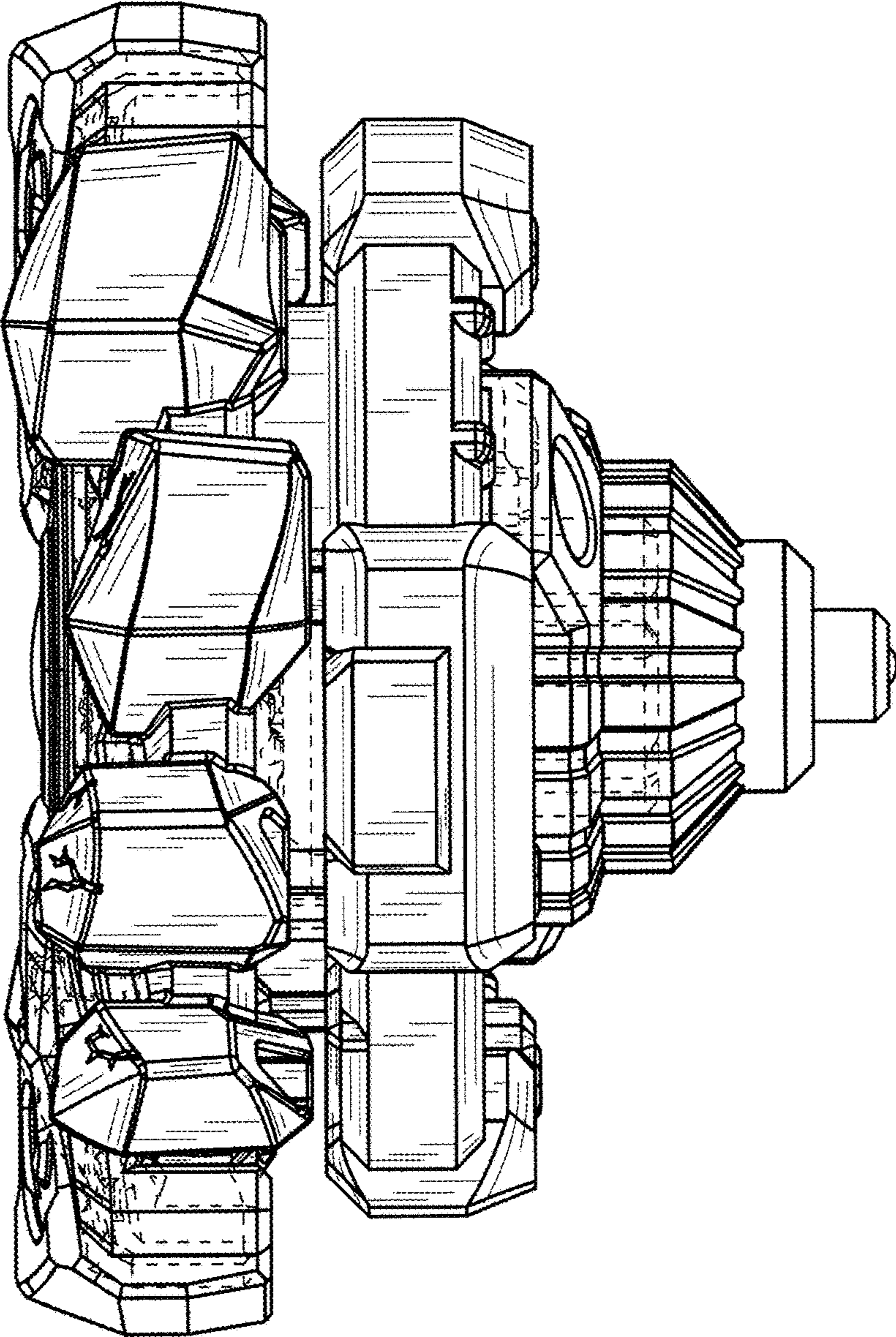


FIG. 2

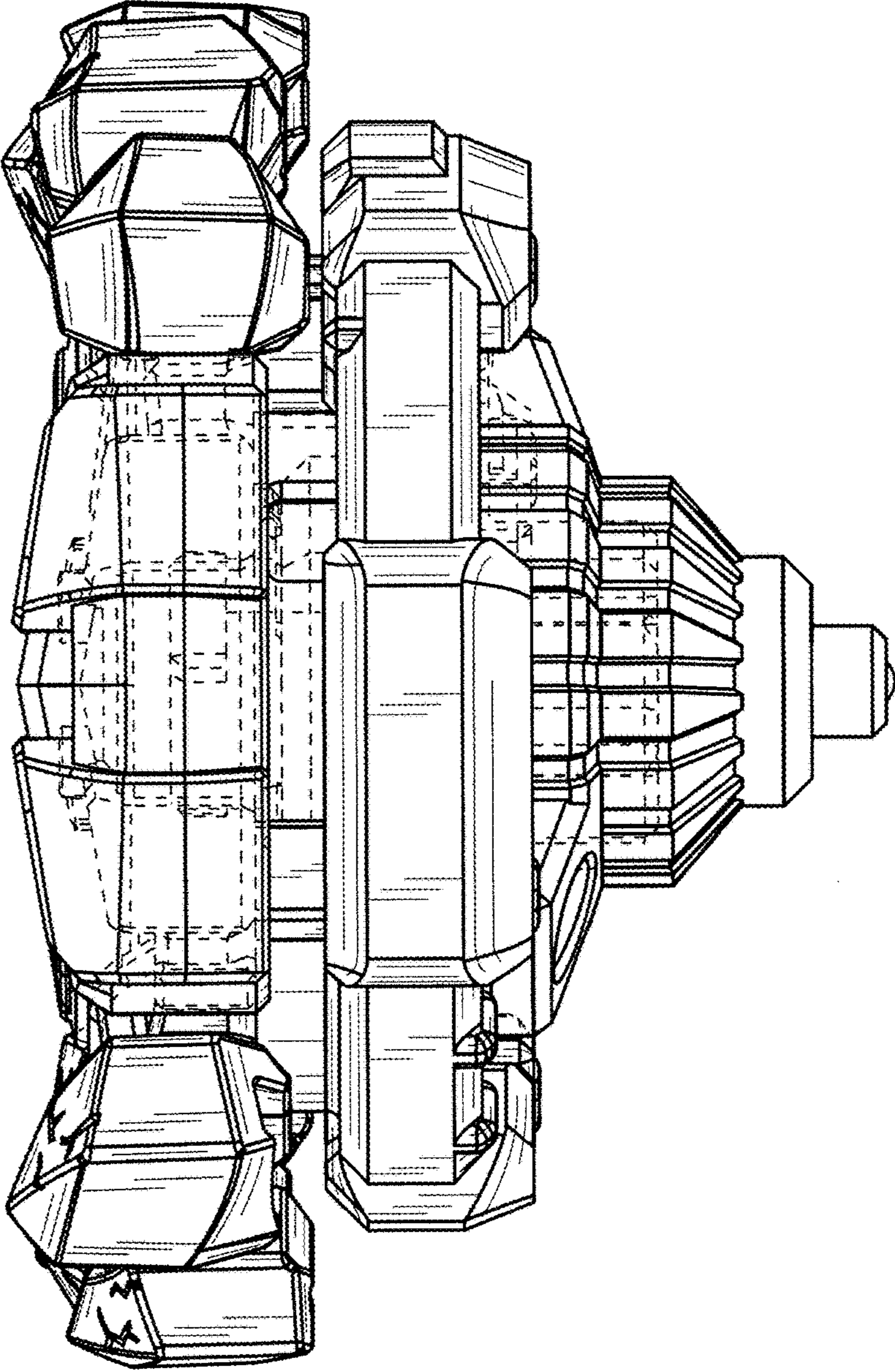


FIG. 3

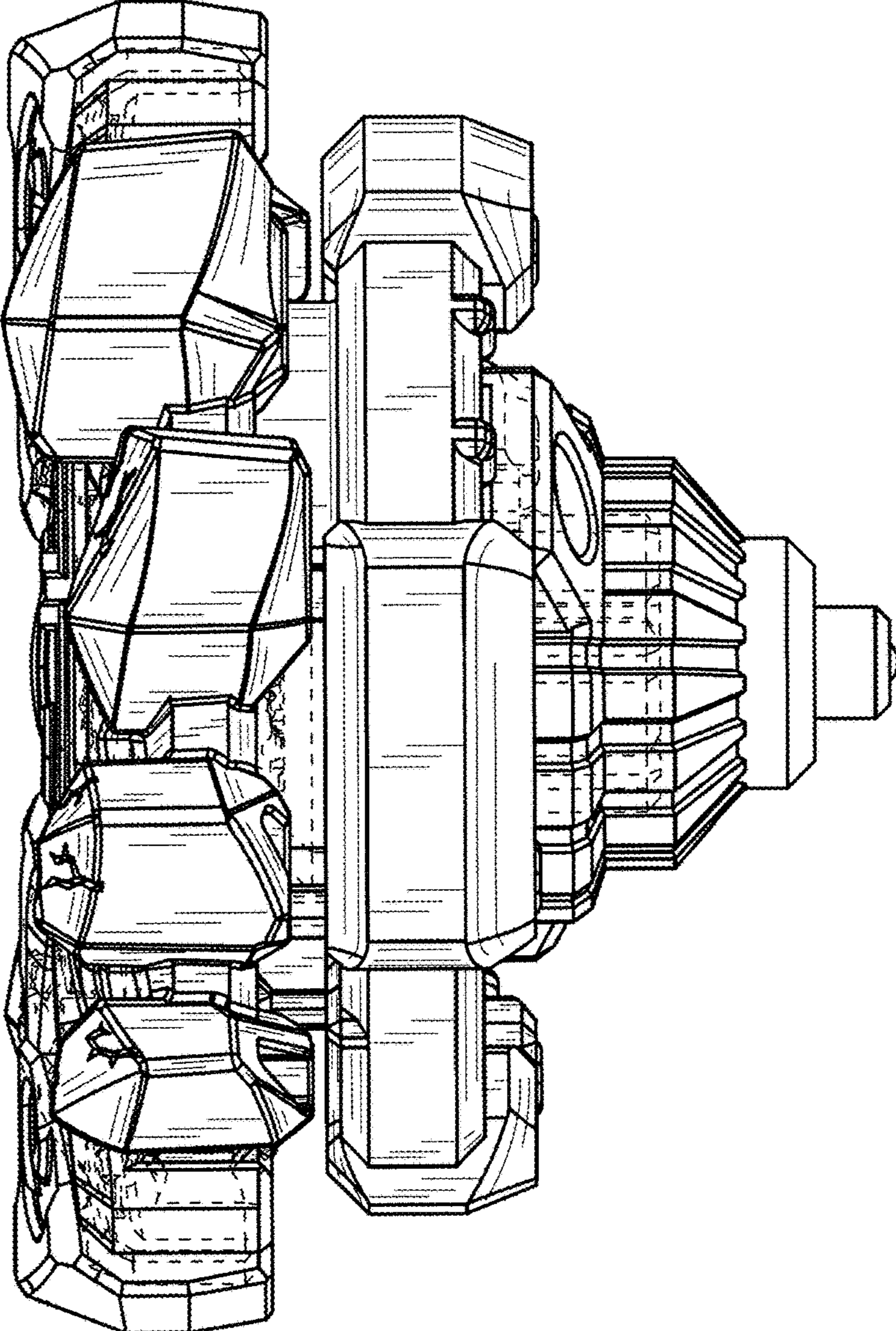


FIG. 4

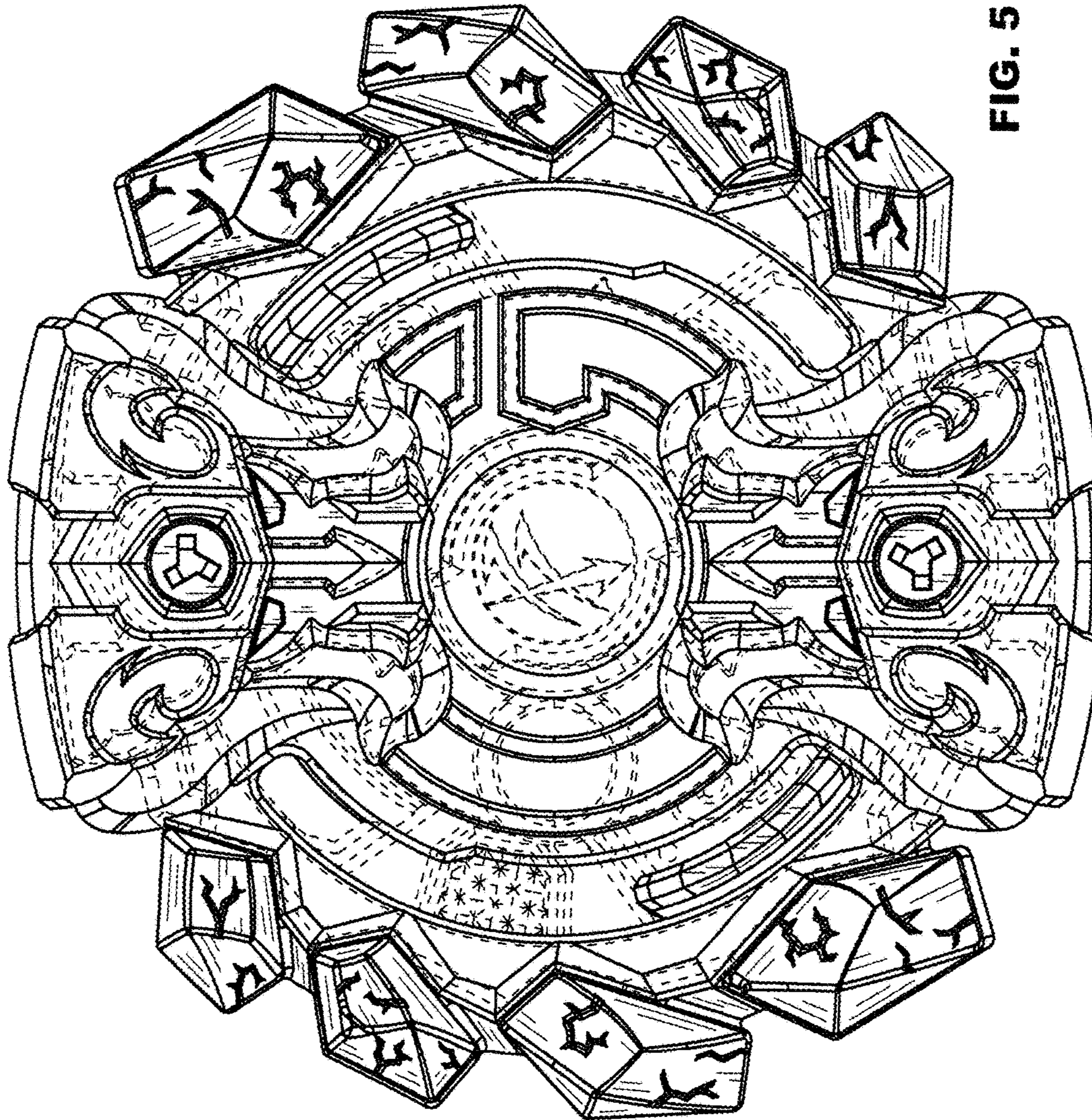


FIG. 5

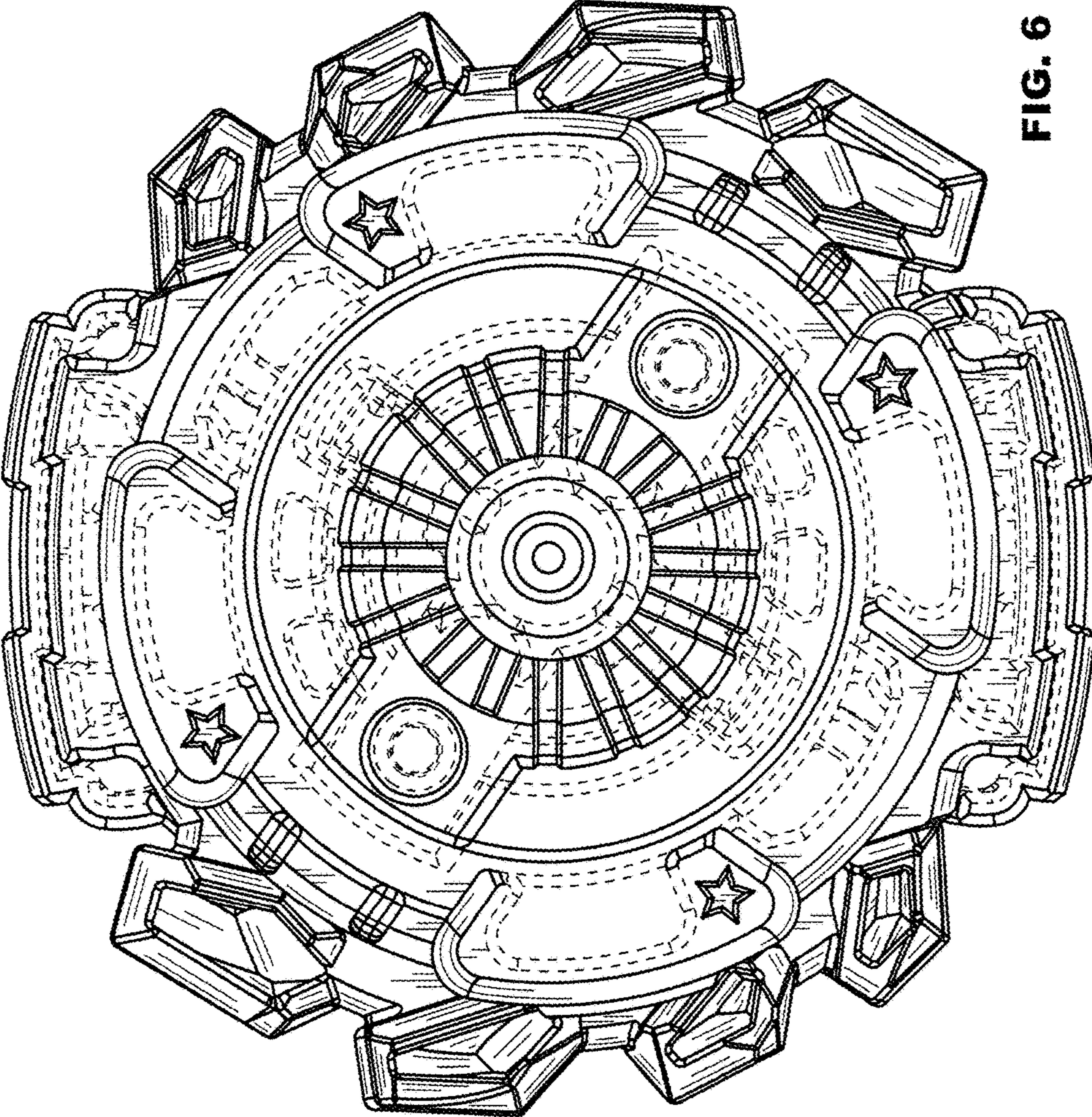


FIG. 6

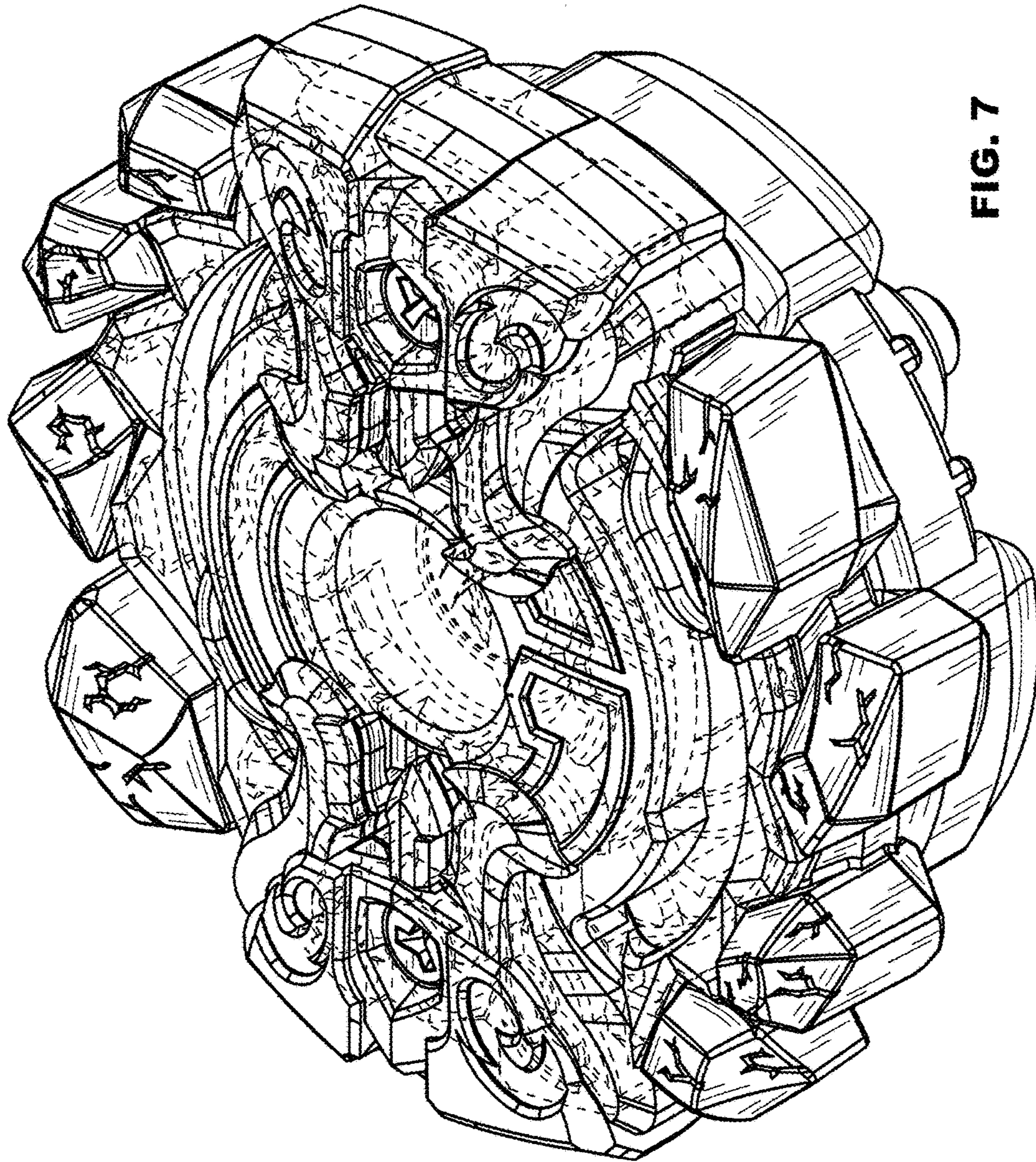


FIG. 7

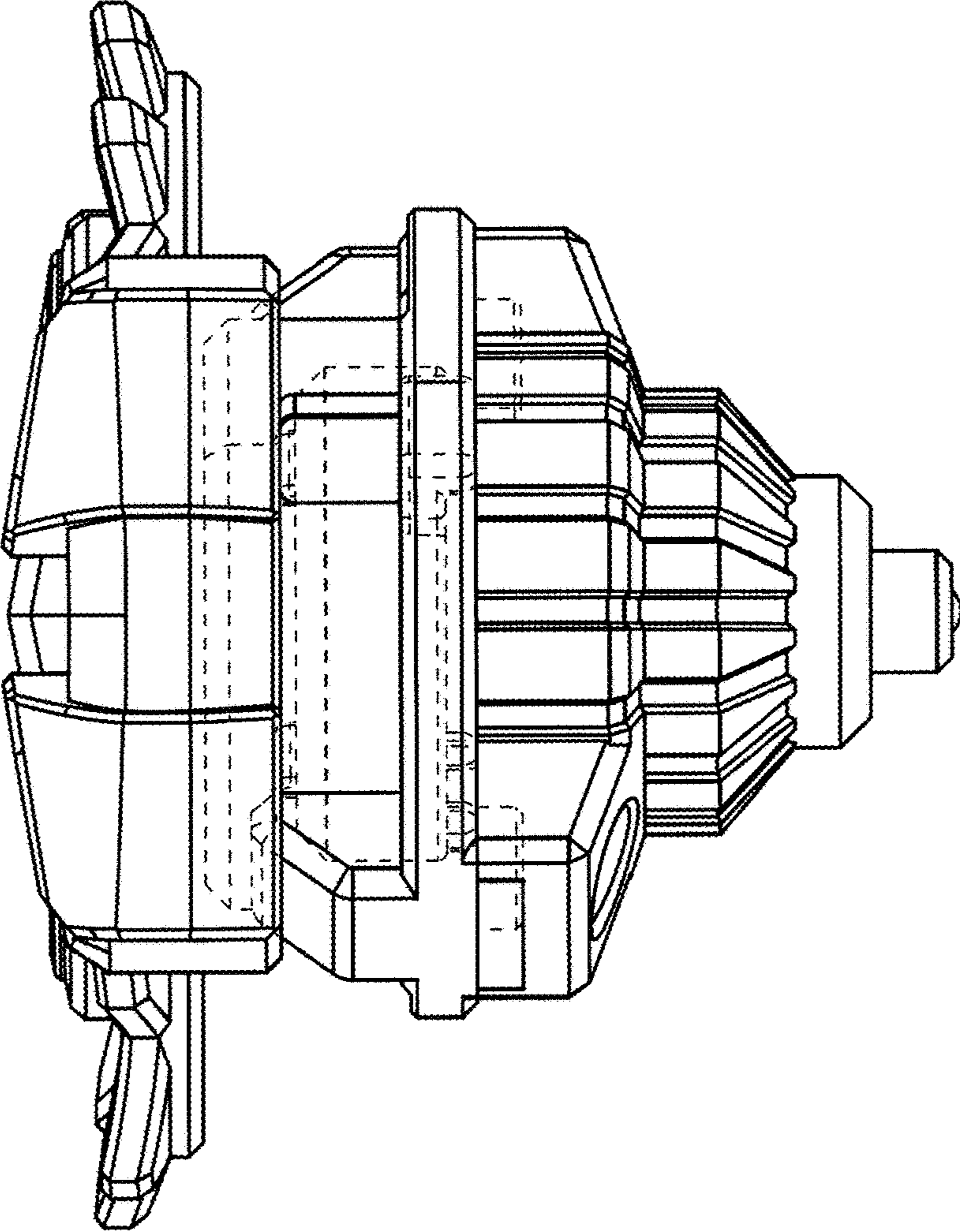


FIG. 8

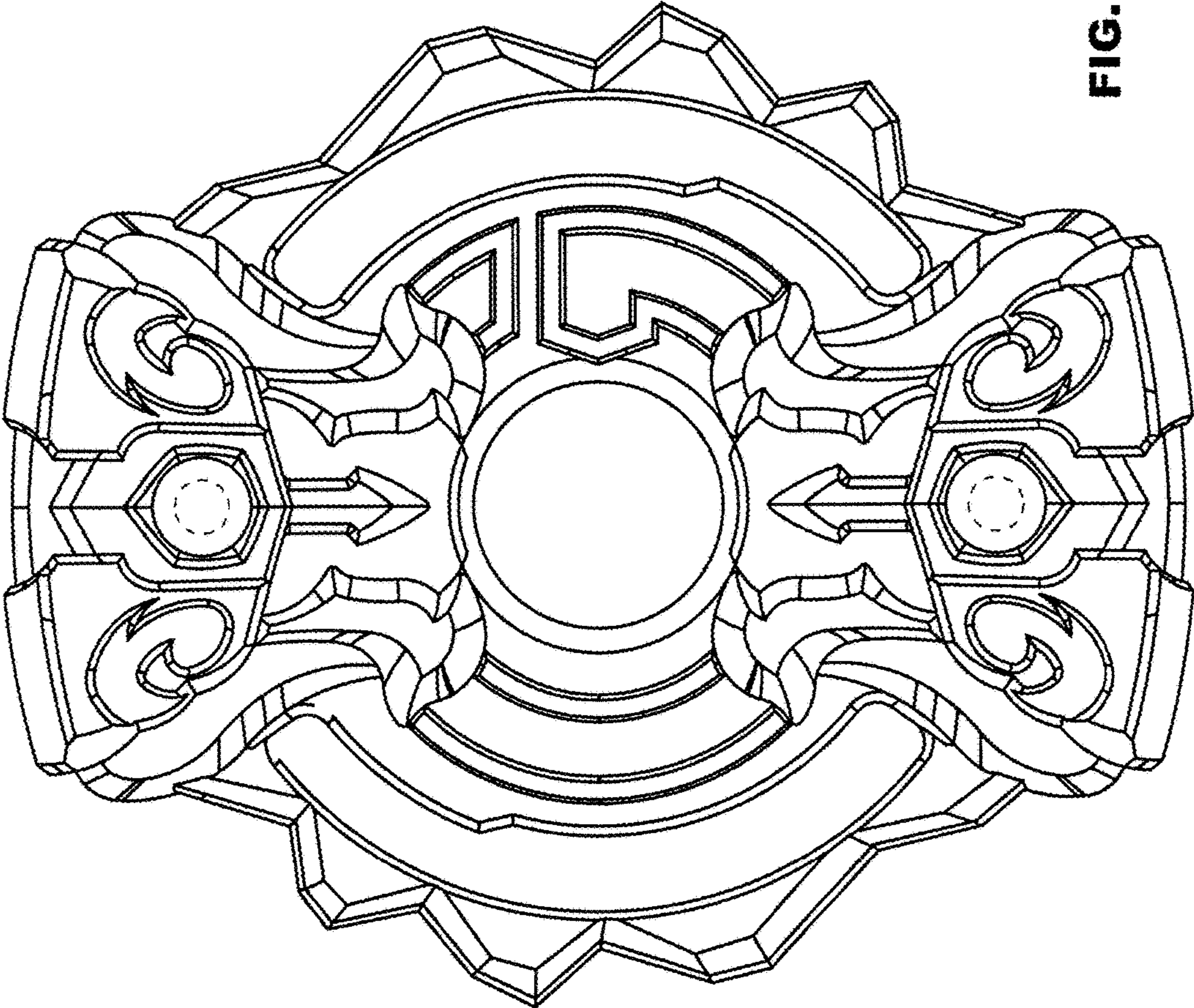


FIG. 9

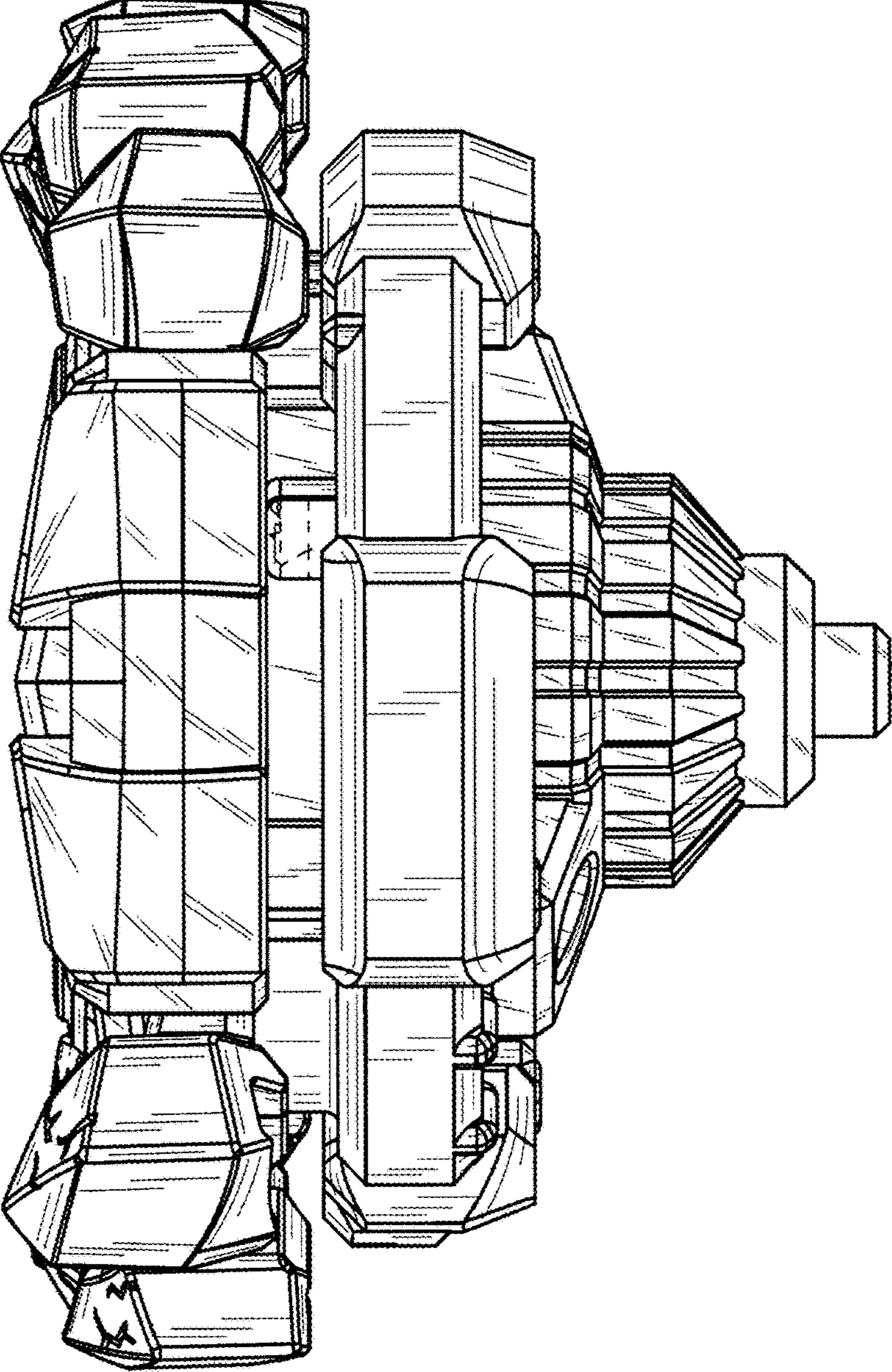


FIG. 10

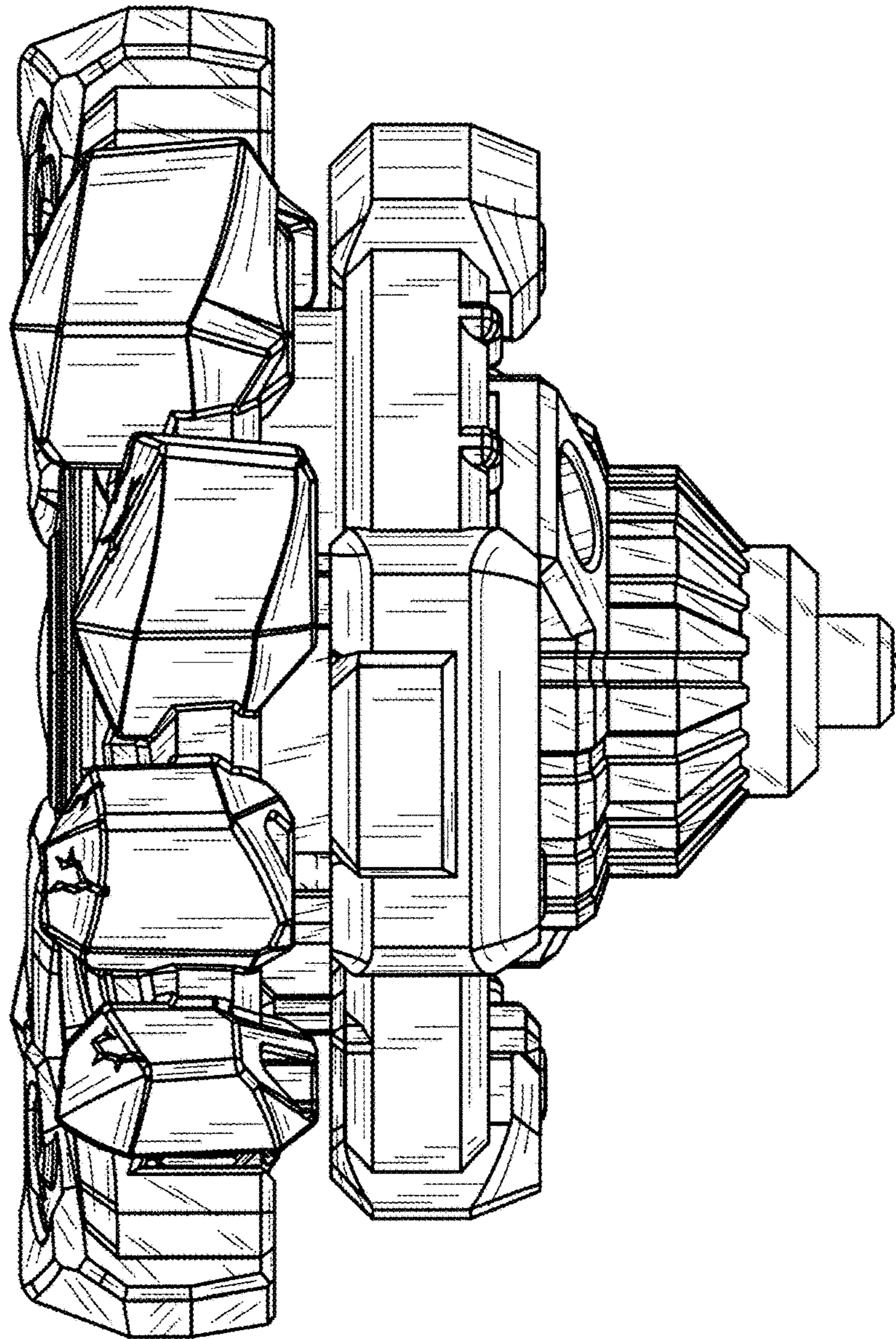


FIG. 11

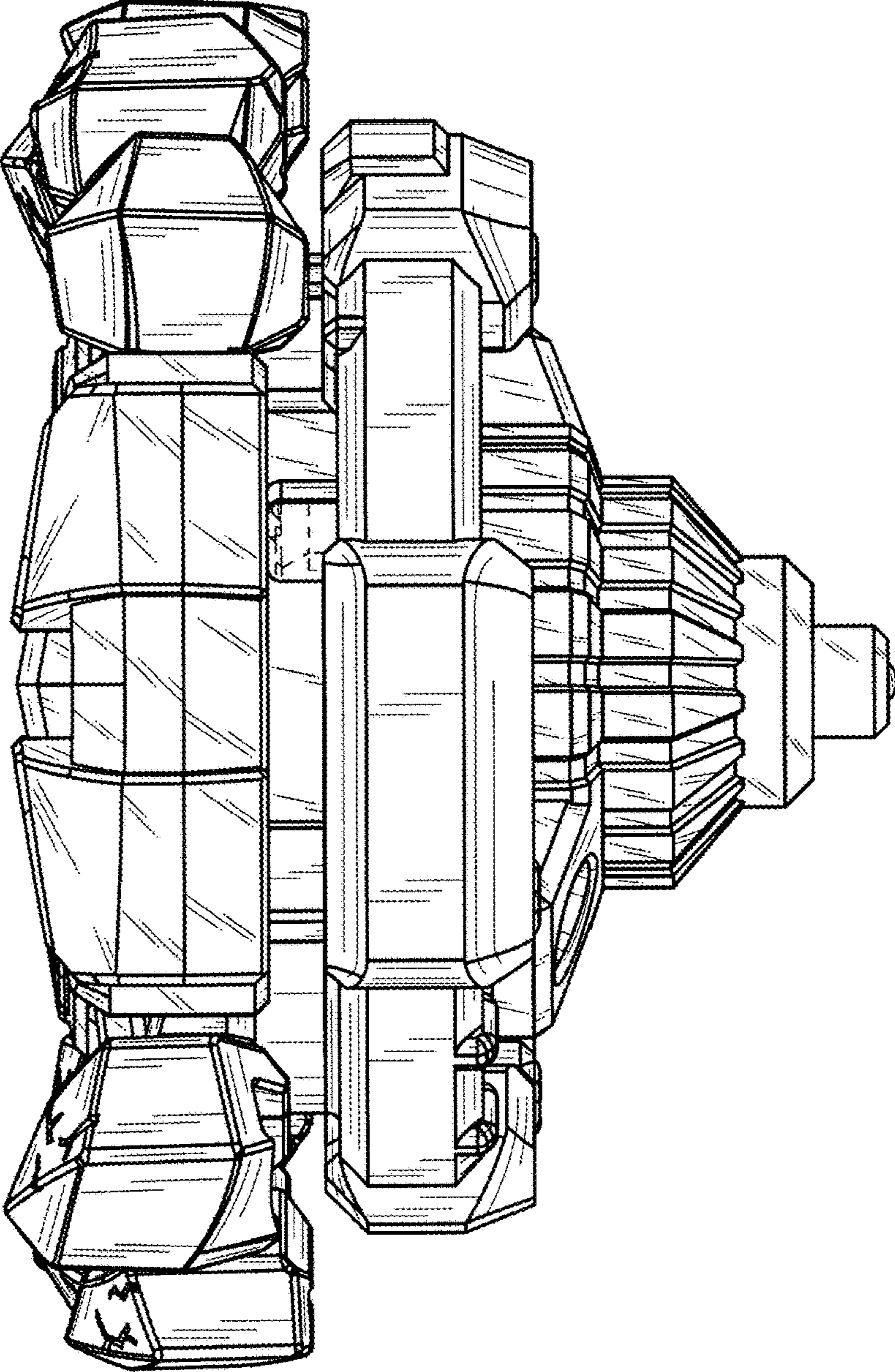


FIG. 12

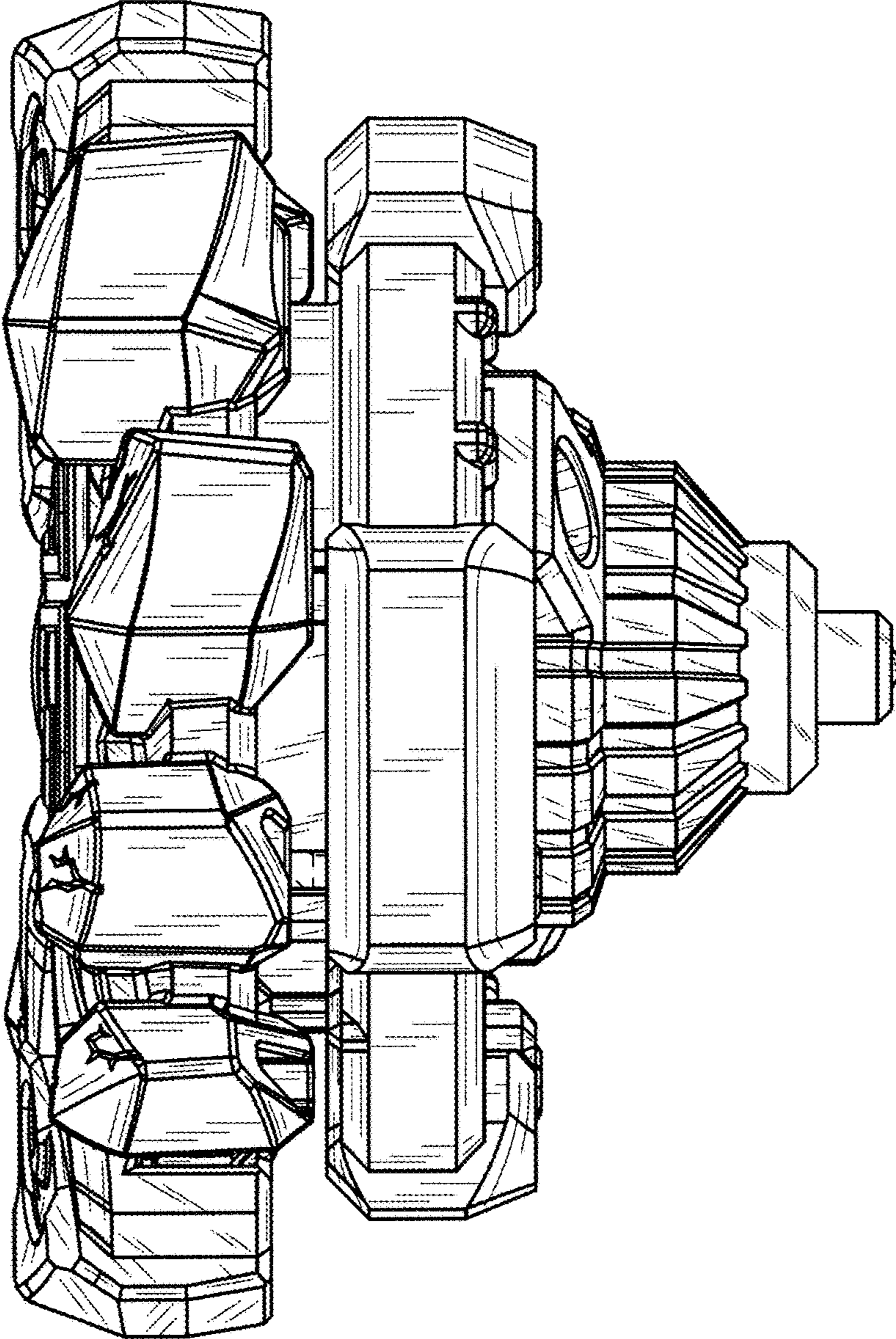


FIG. 13

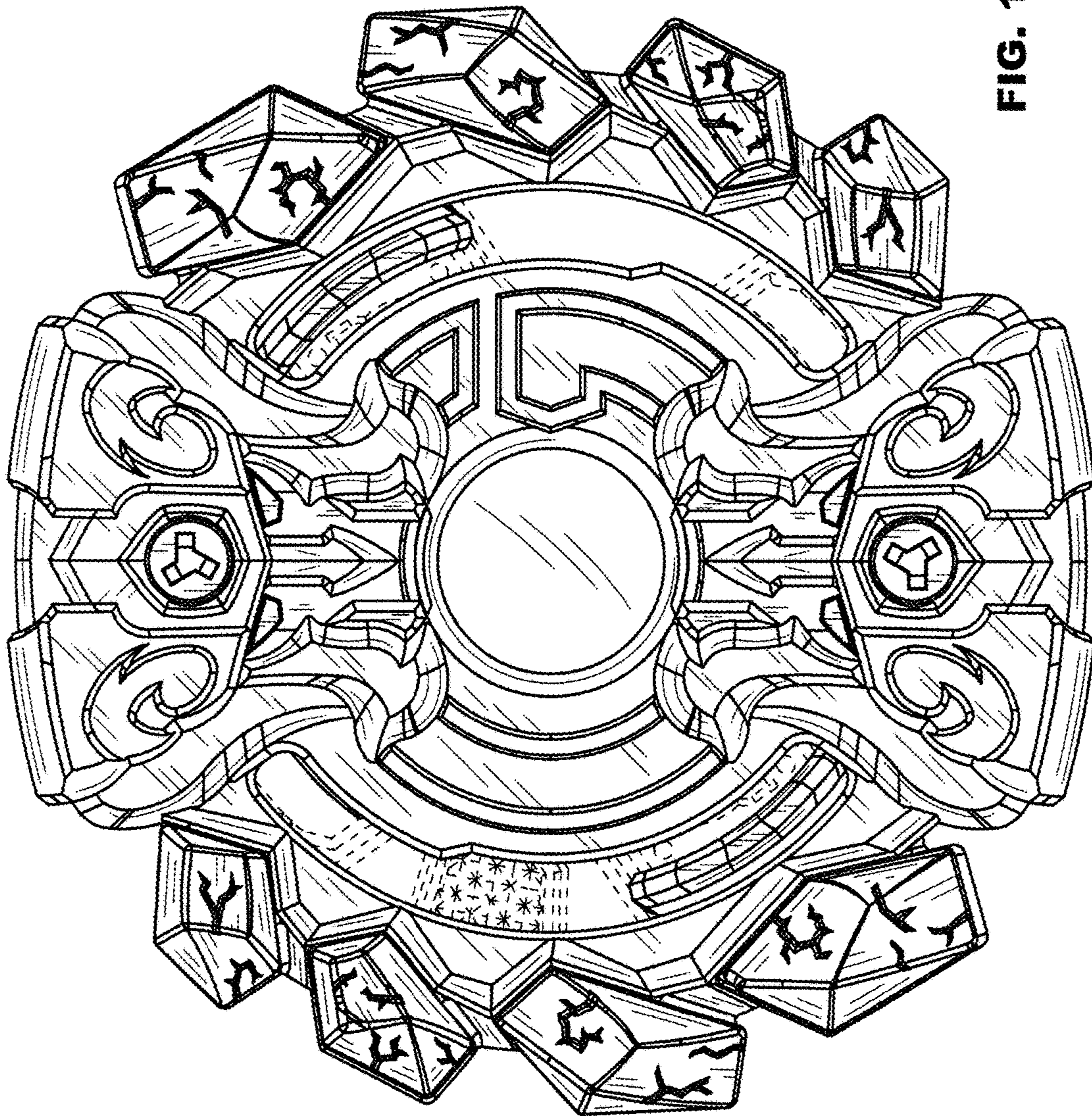


FIG. 14

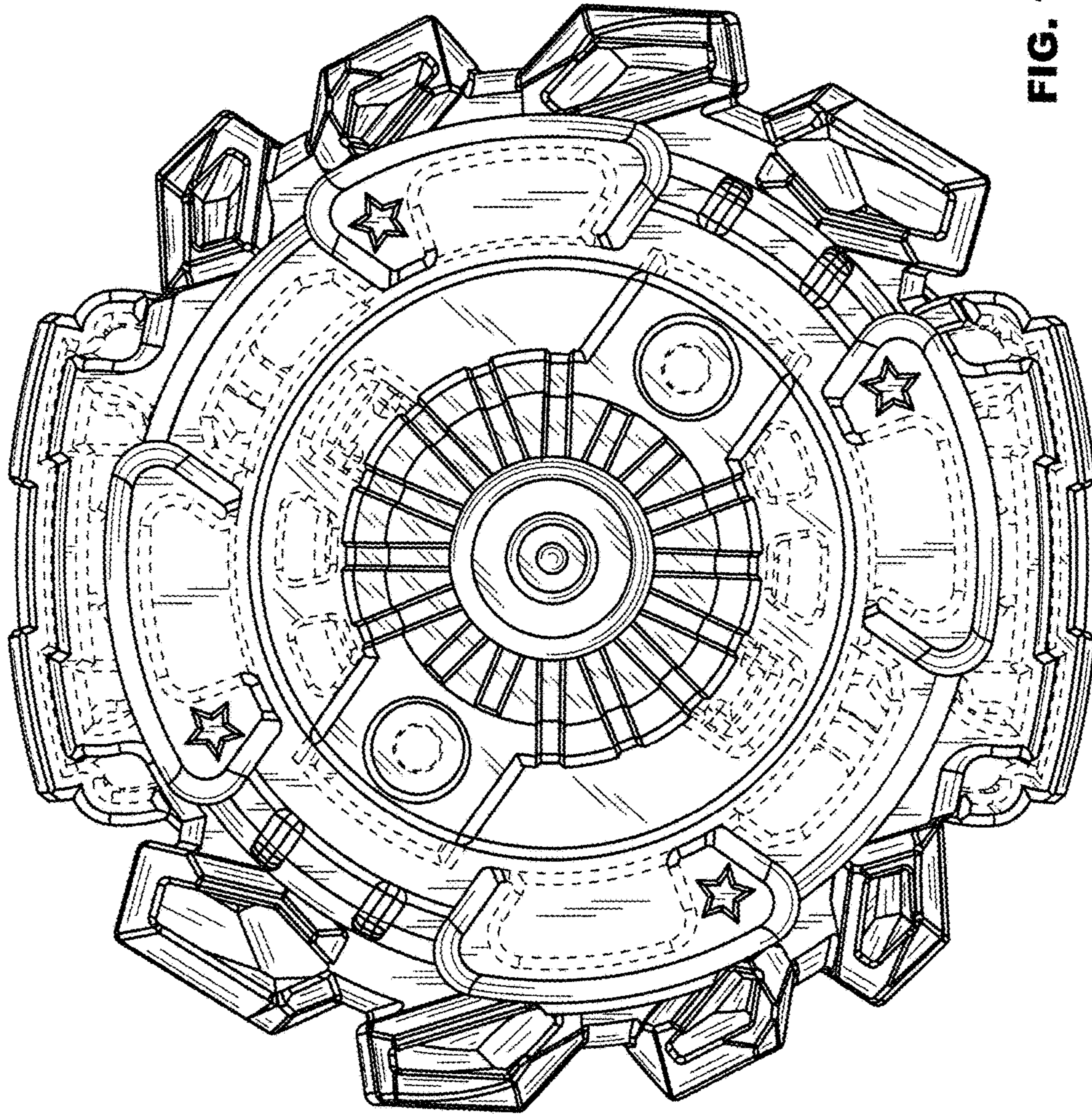


FIG. 15

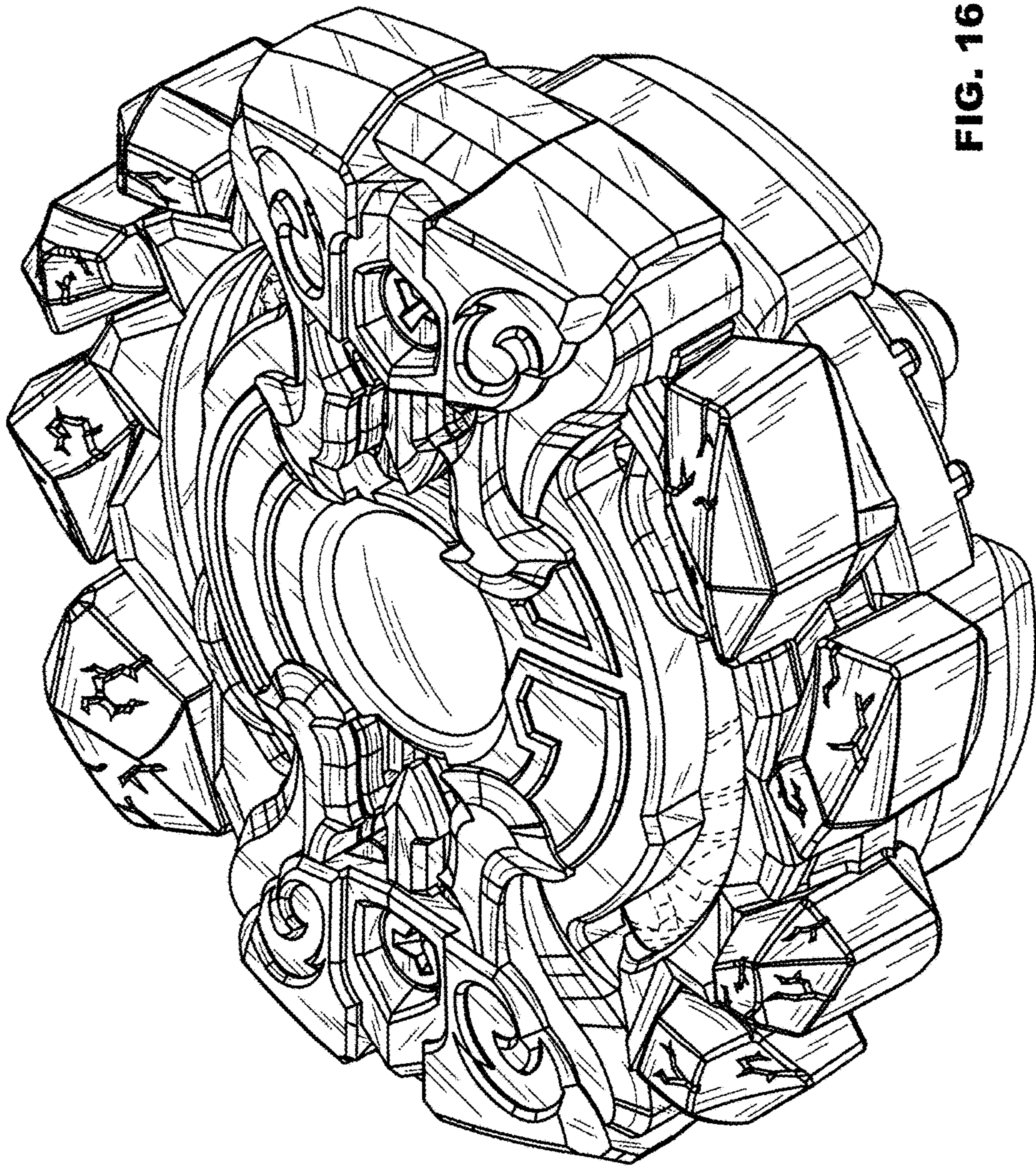


FIG. 16

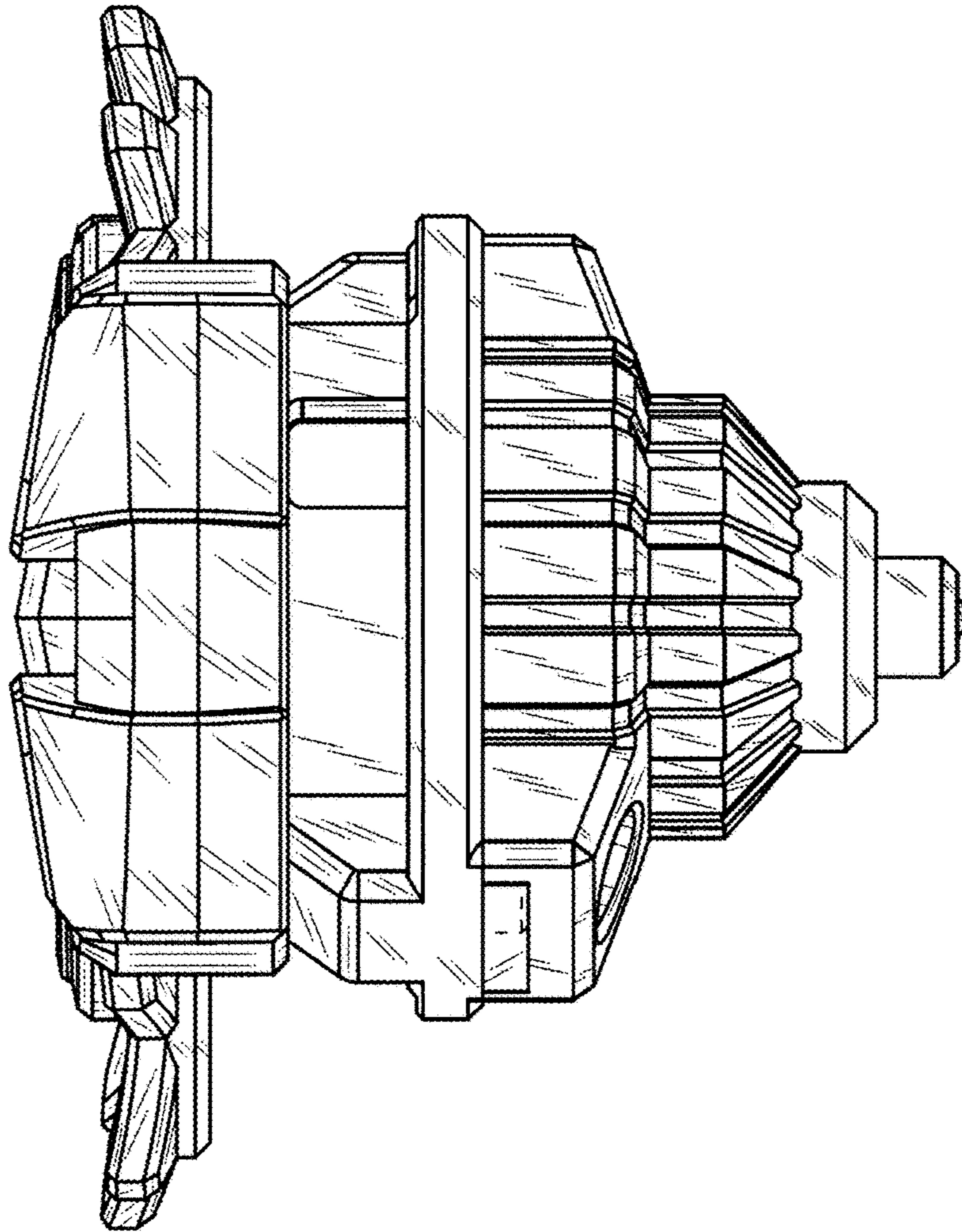


FIG. 17

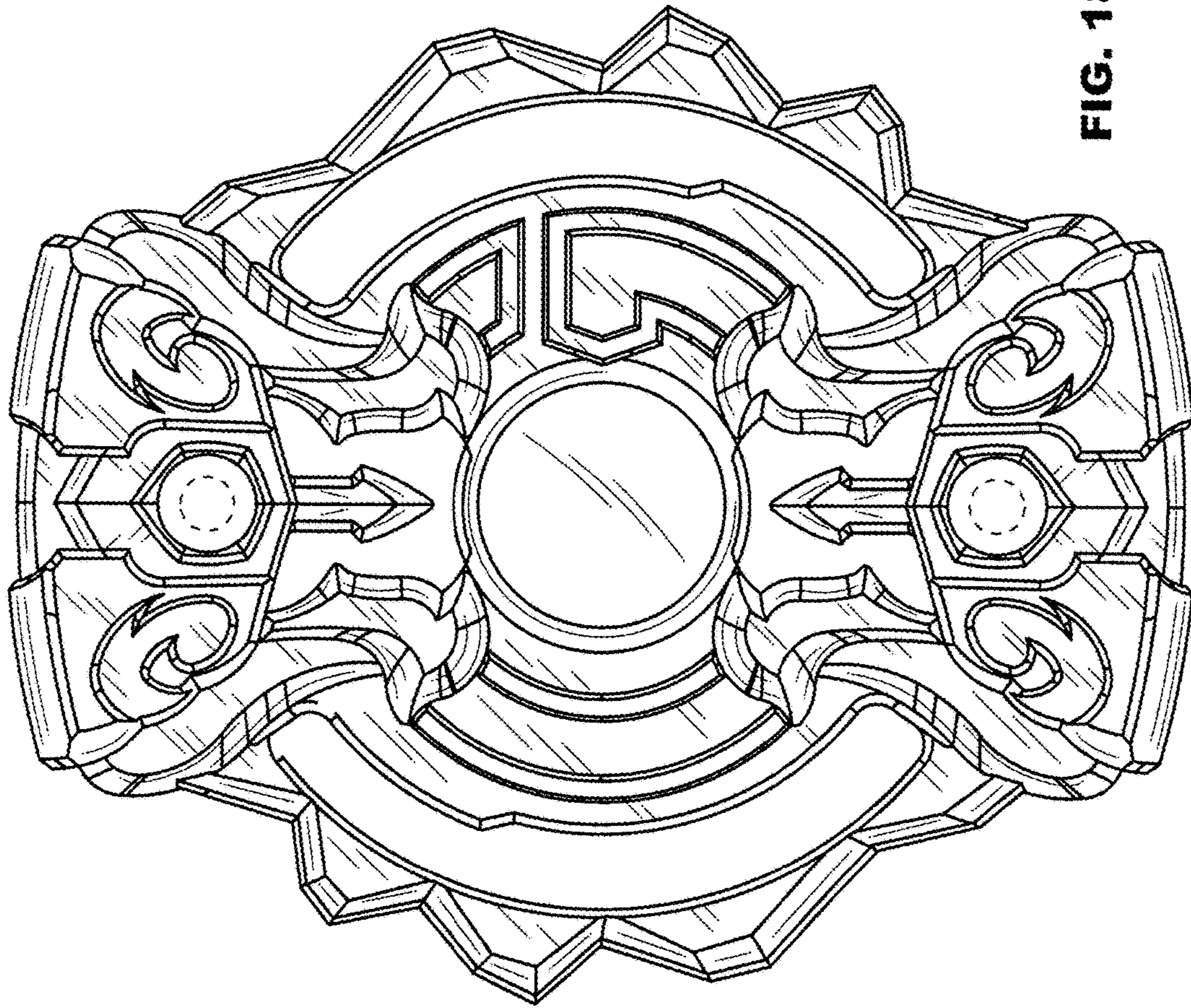


FIG. 18