



US00D851177S

(12) **United States Design Patent** (10) **Patent No.:** **US D851,177 S**  
**Bo** (45) **Date of Patent:** **\*\* Jun. 11, 2019**

(54) **FIDGET SPINNER WITH CHARGING CABLE**

(71) Applicant: **Anhui Inno-Sign International Co., Ltd.**, Hefei (CN)

(72) Inventor: **Jin Bo**, Hefei (CN)

(73) Assignee: **Anhui Inno-Sign Int'l. Co. Ltd.**, Hefei (CN)

(\*\*) Term: **15 Years**

(21) Appl. No.: **29/642,174**

(22) Filed: **Mar. 28, 2018**

(51) **LOC (11) Cl.** ..... **21-01**

(52) **U.S. Cl.**

USPC ..... **D21/455**; D13/108; D13/153; D14/433

(58) **Field of Classification Search**

USPC ..... D21/398, 386, 387, 390, 455-464, 468, D21/324, 404, 405, 436-444, 484, 485, D21/492, 493, 495, 502, 503, 333; D30/160; D3/208; D19/123, 136, 189, D19/202, 59, 60, 95; D24/193-195; D14/341, 345, 357, 358, 388, 389, 398, D14/400, 402, 403, 407, 412, 417, 433, D14/434, 435.1, 438, 480.2, 480.3, 480.5, D14/480.6, 480.7, 483, 484, 484.1, D14/138 AC, 203.1, 203.2, 203.3, 507, D14/508, 167, 168, 172, 188, 189; D13/107, 108, 146, 147, 153, 154, 156, D13/168; D8/356; 446/236-266

CPC ..... A63H 1/00-1/32  
See application file for complete search history.

(56) **References Cited**

**U.S. PATENT DOCUMENTS**

- 3,594,944 A \* 7/1971 Rondeau ..... A63H 1/00 428/13
- 4,227,342 A \* 10/1980 Knowles ..... A63F 9/06 273/454

- 5,067,923 A \* 11/1991 de Bourbon ..... A63H 33/18 434/258
- D360,903 S \* 8/1995 Barr ..... D14/401
- D500,301 S \* 12/2004 Deguchi ..... D14/480.4
- D532,783 S \* 11/2006 Yu ..... D14/480.3
- D539,855 S \* 4/2007 Ban ..... D21/386
- D614,705 S \* 4/2010 Biheller ..... D14/400
- D623,399 S \* 9/2010 McSweyn ..... D14/480.5
- D652,379 S \* 1/2012 Vandiver ..... D13/108
- D742,312 S \* 11/2015 Gupta ..... D13/103
- D797,041 S \* 9/2017 Meyerhoffer ..... D13/107
- D801,440 S \* 10/2017 Pavelsky ..... D21/455
- D808,392 S \* 1/2018 Bo ..... D14/433
- D810,698 S \* 2/2018 Hahn ..... D13/156
- 9,914,063 B1 \* 3/2018 McCoskery ..... A63H 29/08
- 9,950,556 B1 \* 4/2018 Laemle ..... B43K 29/00

(Continued)

**FOREIGN PATENT DOCUMENTS**

- CN 304416560 \* 12/2017
- CN 304515134 \* 2/2018

(Continued)

*Primary Examiner* — Catherine A Tuttle

(74) *Attorney, Agent, or Firm* — Richards Patent Law P.C.

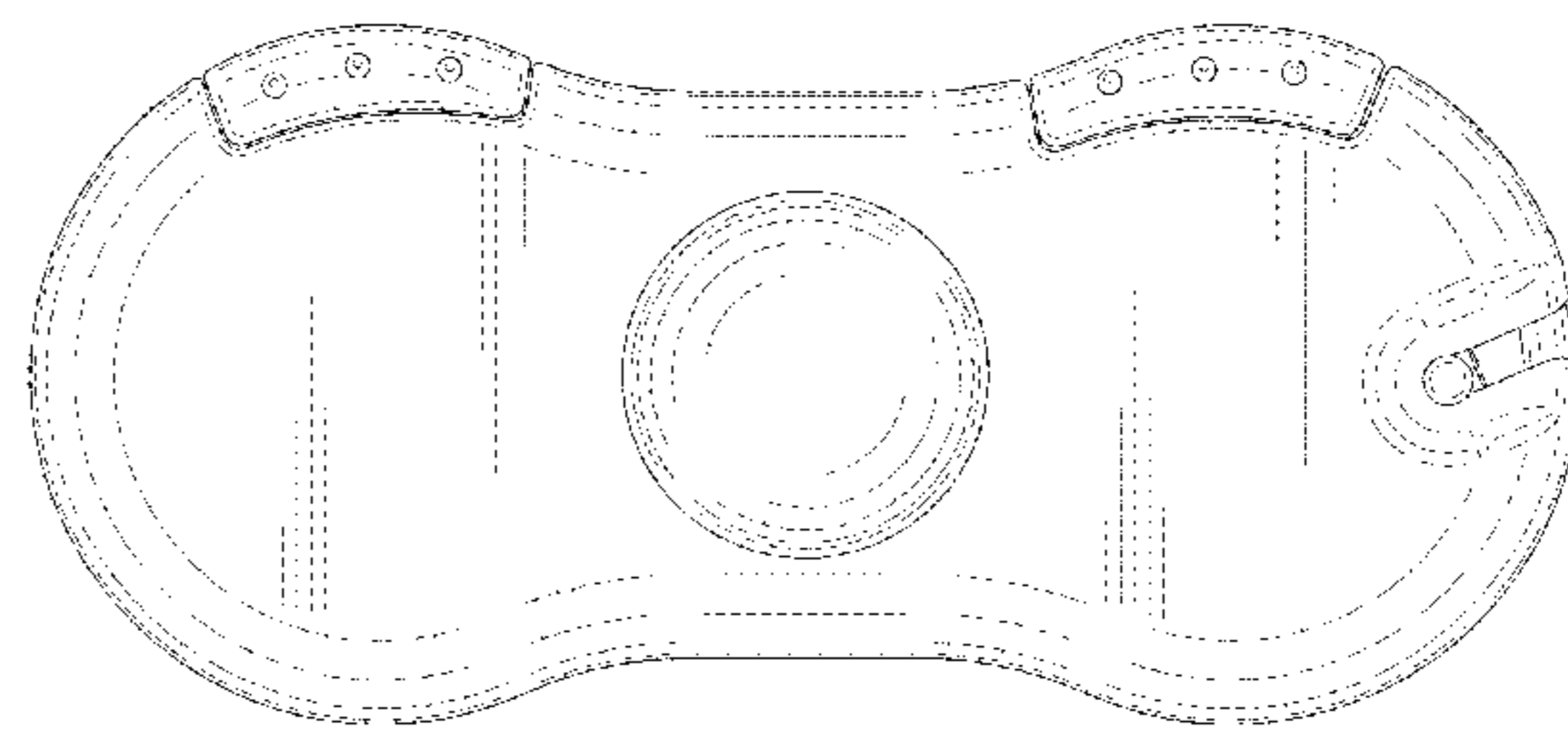
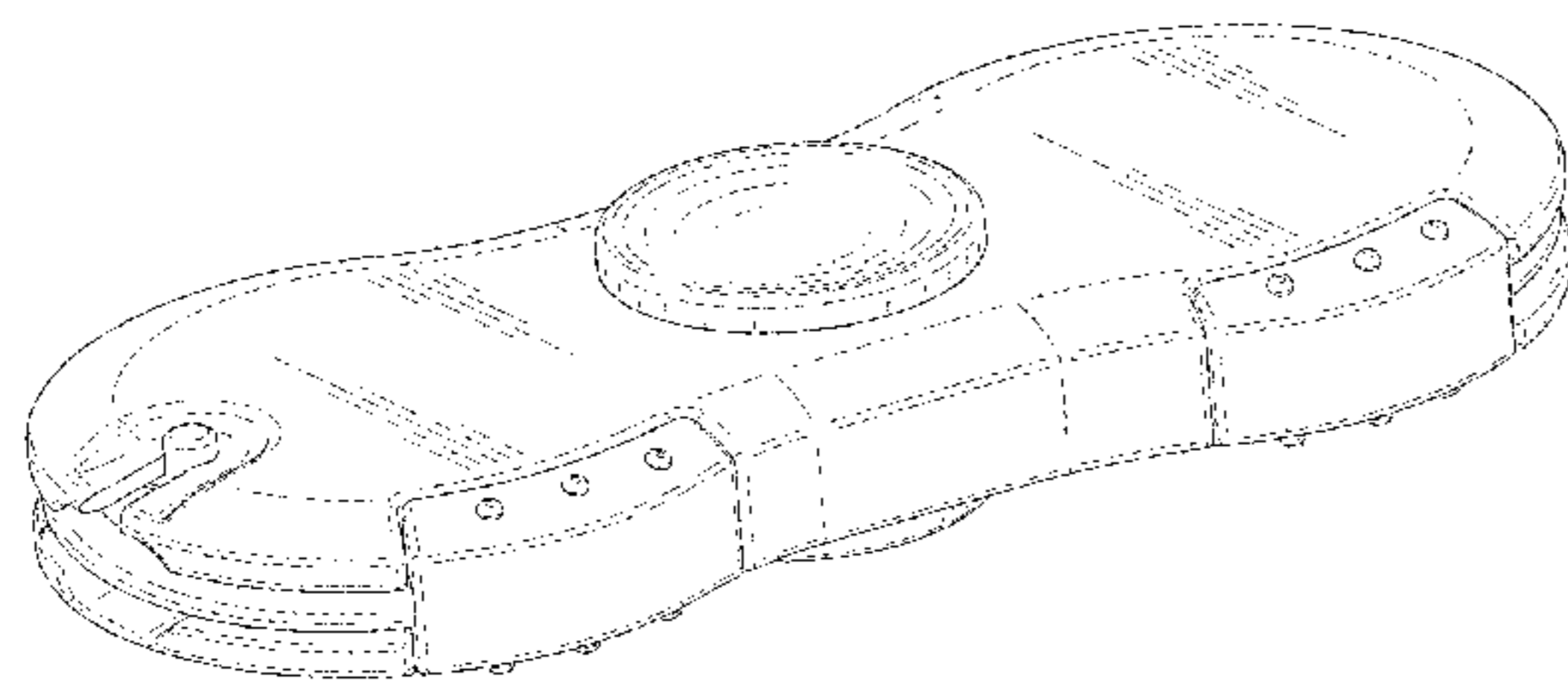
(57) **CLAIM**

The ornamental design for the fidget spinner with charging cable, as shown and described.

**DESCRIPTION**

FIG. 1 is an isometric view of a fidget spinner with charging cable showing my new design;  
FIG. 2 is a front view thereof;  
FIG. 3 is a back view thereof;  
FIG. 4 is a right side view thereof;  
FIG. 5 is a left side view thereof;  
FIG. 6 is a top view thereof; and,  
FIG. 7 is a bottom view thereof.

**1 Claim, 7 Drawing Sheets**



(56)

**References Cited**

U.S. PATENT DOCUMENTS

D817,267 S \* 5/2018 Vitulli ..... D13/107  
10,016,693 B1 \* 7/2018 Dowdy ..... A63H 33/003  
D826,339 S \* 8/2018 Christen ..... D21/398

FOREIGN PATENT DOCUMENTS

CN 304572276 \* 4/2018  
EM 003996065-0001 \* 5/2017  
EM 004002962-0002 \* 5/2017  
EM 004151819-0001 \* 8/2017

\* cited by examiner

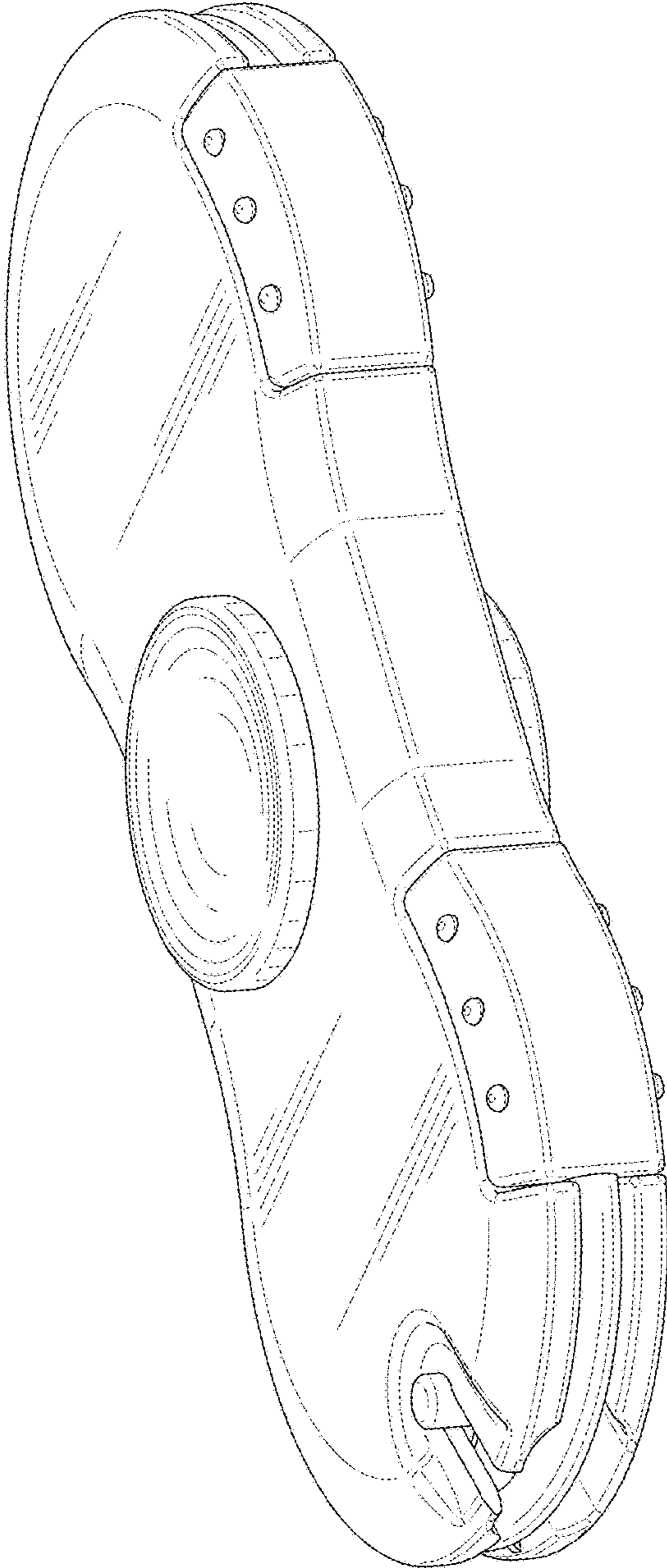


FIG. 1

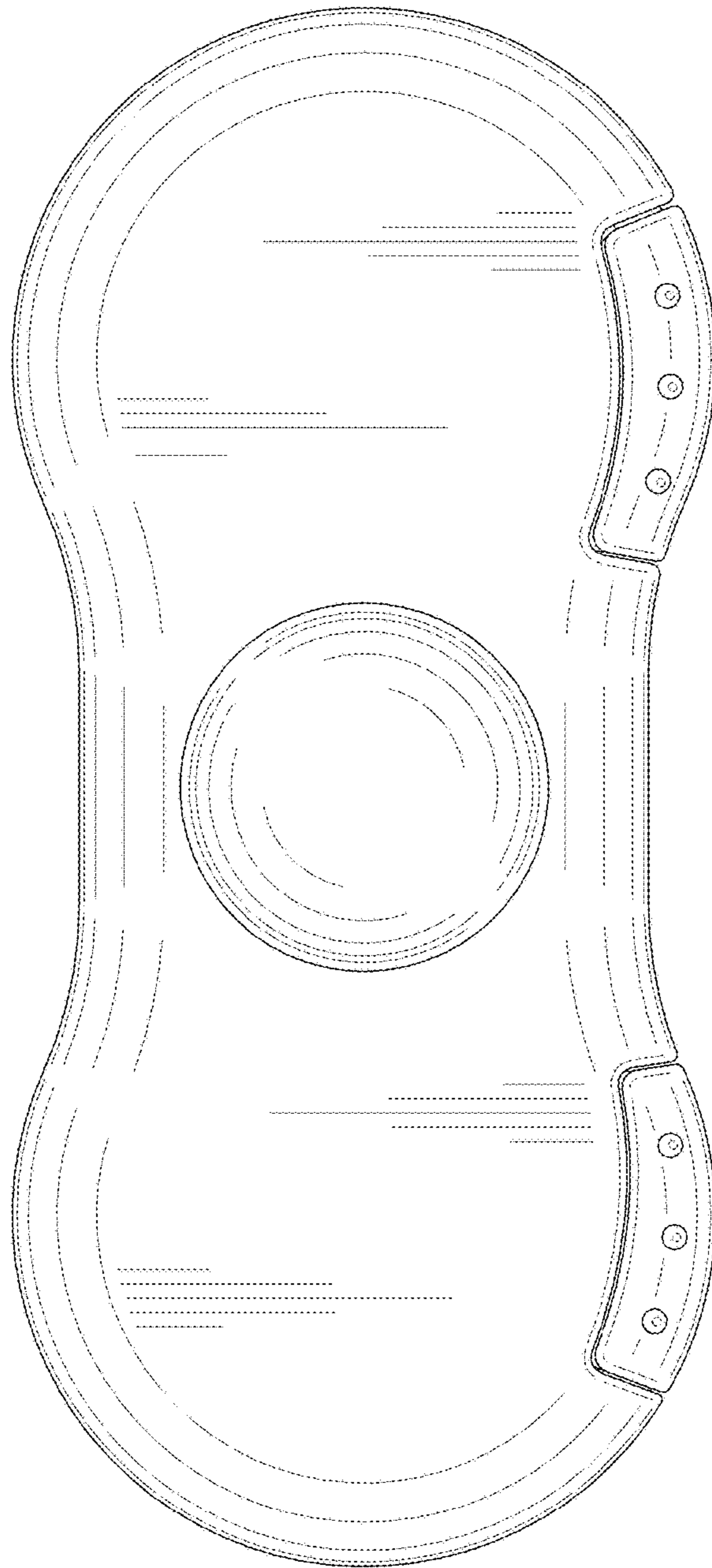


FIG. 2

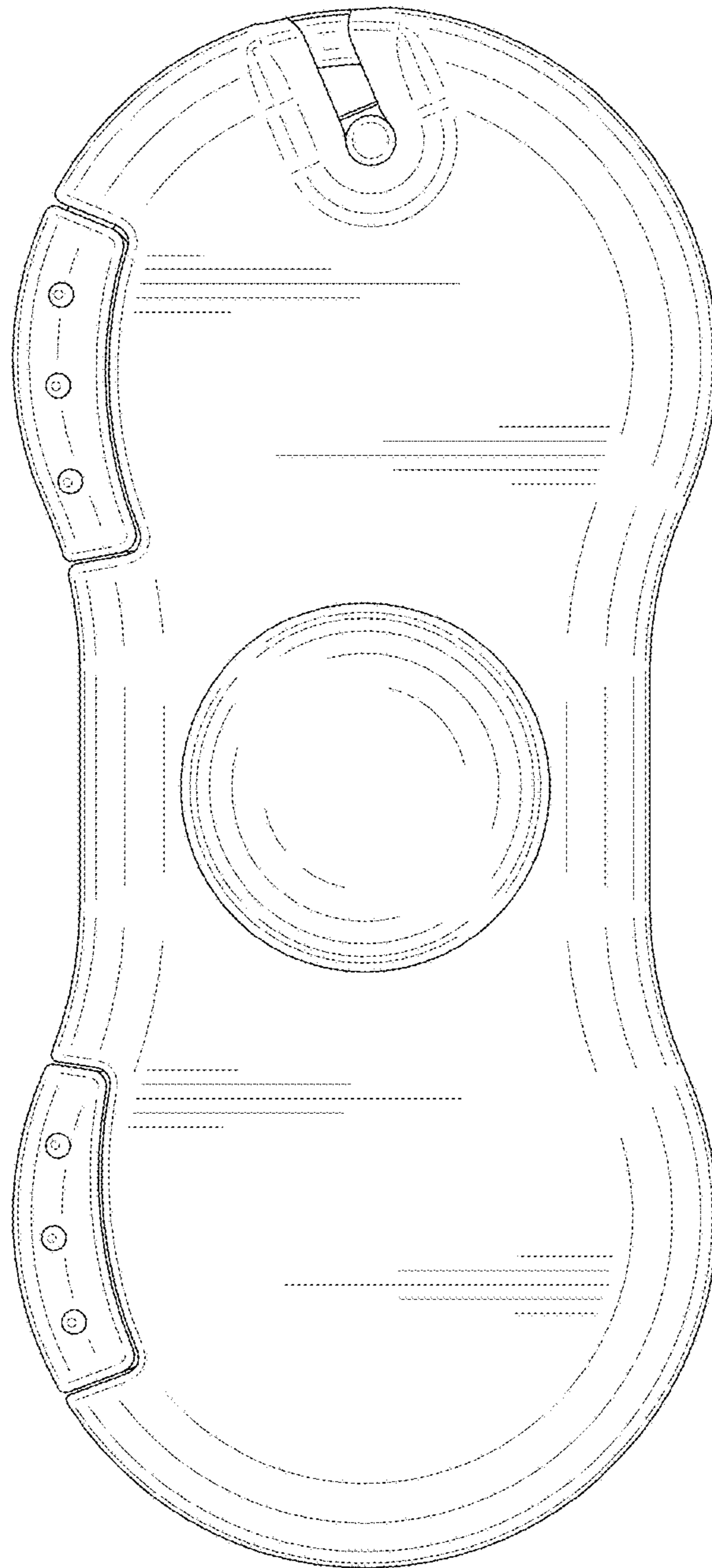


FIG. 3

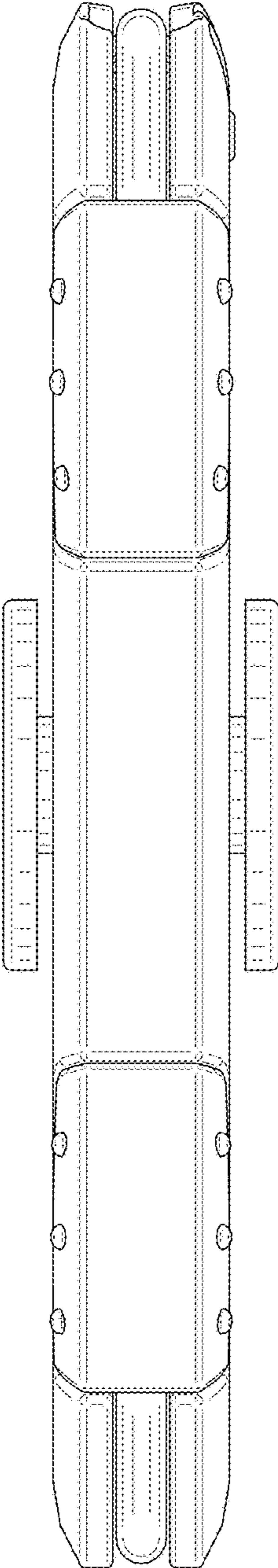


FIG. 4

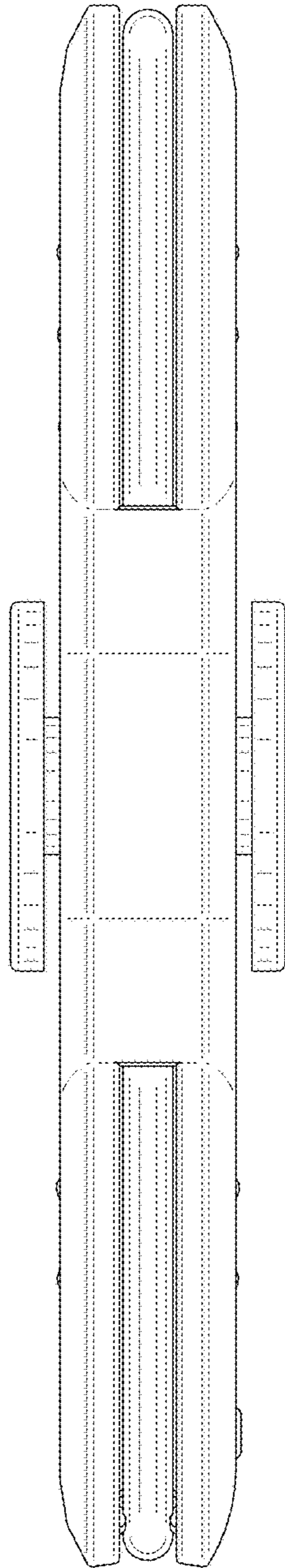


FIG. 5

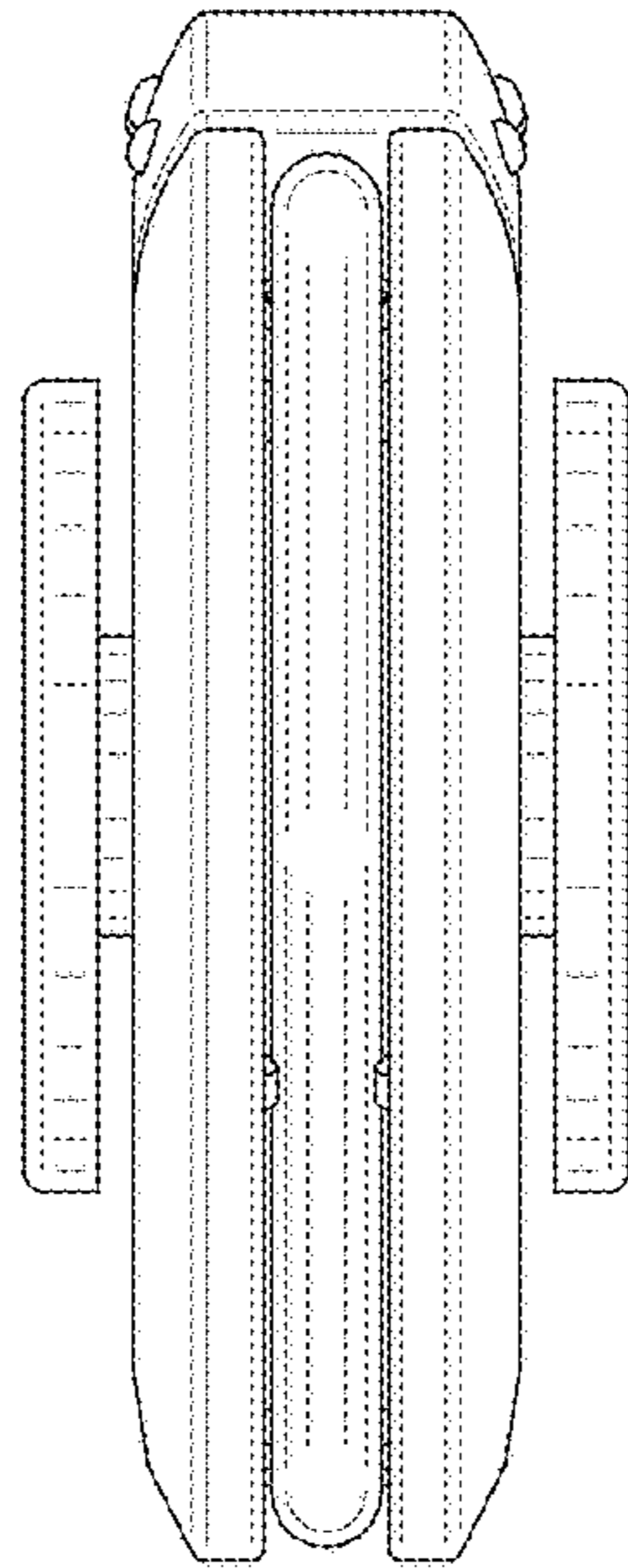


FIG. 6



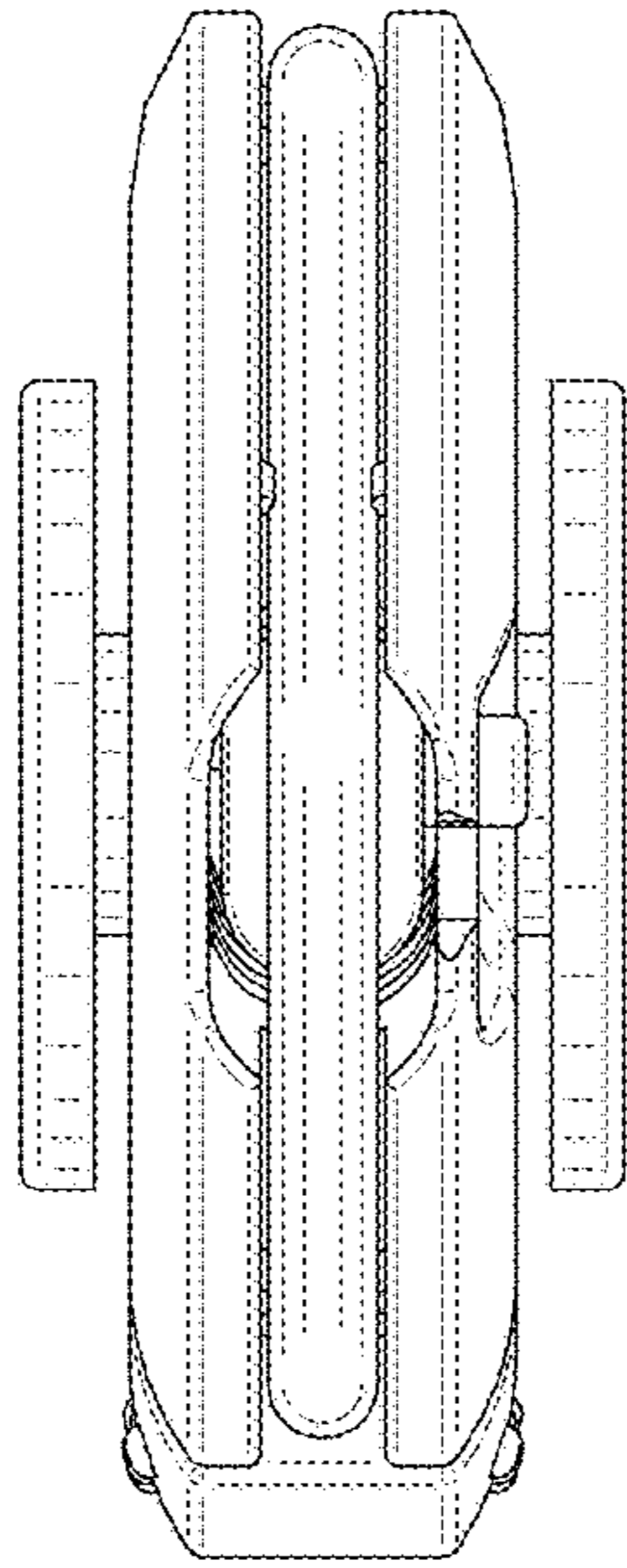


FIG. 7