



US00D851176S

(12) **United States Design Patent** (10) **Patent No.:** **US D851,176 S**
Miller (45) **Date of Patent:** **** Jun. 11, 2019**

(54) **BINGO GAME TABLE**
(71) Applicant: **James S. Miller**, Waddell, AZ (US)
(72) Inventor: **James S. Miller**, Waddell, AZ (US)
(**) Term: **15 Years**

D412,348 S * 7/1999 Gebauer D21/397
6,010,131 A 1/2000 Myers
6,079,645 A 6/2000 Henreckson et al.
6,095,524 A 8/2000 Richter et al.
6,250,632 B1 6/2001 Albrecht
6,662,732 B2 12/2003 Birsal et al.
(Continued)

(21) Appl. No.: **29/591,800**
(22) Filed: **Jan. 24, 2017**

FOREIGN PATENT DOCUMENTS

CA 2390187 1/2004
GB 2217996 11/1989
WO W02011127439 10/2011

Related U.S. Application Data

(63) Continuation-in-part of application No. 14/566,339, filed on Dec. 10, 2014.
(51) **LOC (11) Cl.** **21-03**
(52) **U.S. Cl.** **D21/397**
USPC **D21/397**
(58) **Field of Classification Search**
USPC D21/397, 357; D6/656.13, 691.5, 709, D6/709.2, 656
CPC A47B 9/14
See application file for complete search history.

OTHER PUBLICATIONS

The Bluff, Bingo Wasteland, <http://www.bluff.com/magazine/bingo-wasteland>, Oct. 8, 2013.

(Continued)

Primary Examiner — George D. Kirschbaum

(57) **CLAIM**

The ornamental design for a bingo game table, as shown and described.

(56) **References Cited**

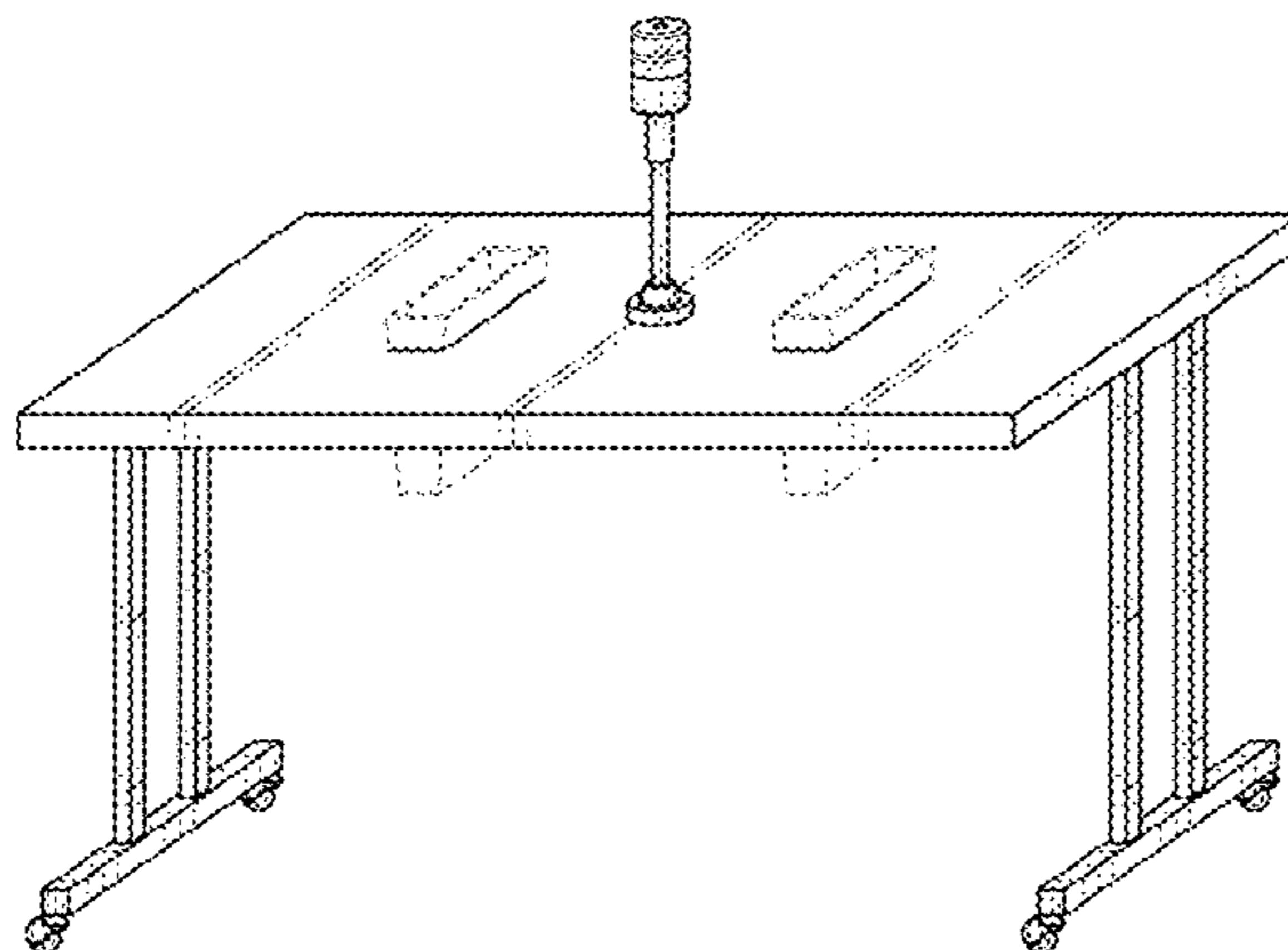
DESCRIPTION

U.S. PATENT DOCUMENTS

2,464,146 A 3/1949 Mohler
2,778,642 A 1/1957 Moore et al.
3,511,505 A 5/1970 Lysaght et al.
3,682,402 A 8/1972 Goldhammer
3,915,102 A * 10/1975 Barron A47B 9/14
108/146
D248,139 S * 6/1978 Petersen D6/691.5
4,222,571 A 9/1980 Molat
4,226,420 A 10/1980 Corday
4,838,557 A 6/1989 Floyhar
4,997,134 A 3/1991 MacGregor
5,111,927 A 5/1992 Schulze
D334,678 S * 4/1993 Hinden D6/656.13
5,755,619 A 5/1998 Matsumoto et al.
5,823,534 A 10/1998 Banyai

FIG. 1 is a front perspective, in-use view of a bingo game table showing my new design;
FIG. 2 is another front perspective view thereof;
FIG. 3 is a front view (back view is mirror image) thereof;
FIG. 4 is a side view (opposite side view is mirror image) thereof;
FIG. 5 is a top view thereof; and,
FIG. 6 is a bottom view thereof.
In FIG. 1, the broken lines showing of environment structure for the purpose of illustrating the bingo game table in a condition of use. The broken lines and the structure they depict form no part of the claimed design.

1 Claim, 4 Drawing Sheets



(56)

References Cited

U.S. PATENT DOCUMENTS

6,662,932 B1 12/2003 O'Neill
D488,335 S * 4/2004 Kerr D21/357
D513,140 S * 12/2005 Strong D6/709.2
D544,255 S * 6/2007 Tracewell D6/656
D553,883 S * 10/2007 DeJule D6/709
7,719,424 B2 5/2010 Steil
7,854,431 B1 12/2010 Barnwell
7,959,153 B2 6/2011 Franks
8,272,945 B2 9/2012 Kelly et al.
8,430,405 B2 4/2013 Gagner et al.
8,602,874 B2 12/2013 Rowe et al.
8,888,101 B1 11/2014 McCrory
8,925,008 B2 12/2014 Rogers et al.
8,998,210 B2 4/2015 Shigeta
2007/0238506 A1 10/2007 Ruckle
2007/0295843 A1 12/2007 Smith
2008/0001356 A1 1/2008 Franks
2009/0036194 A1 2/2009 Naicker et al.
2013/0307215 A1 11/2013 Shigeta

OTHER PUBLICATIONS

Bingo Resource Guide, [bingoresourceguide.com](http://www.bingoresourceguide.com), <http://www.bingoresourceguide.com/latesttechnologies>, Oct. 8, 2013.

* cited by examiner

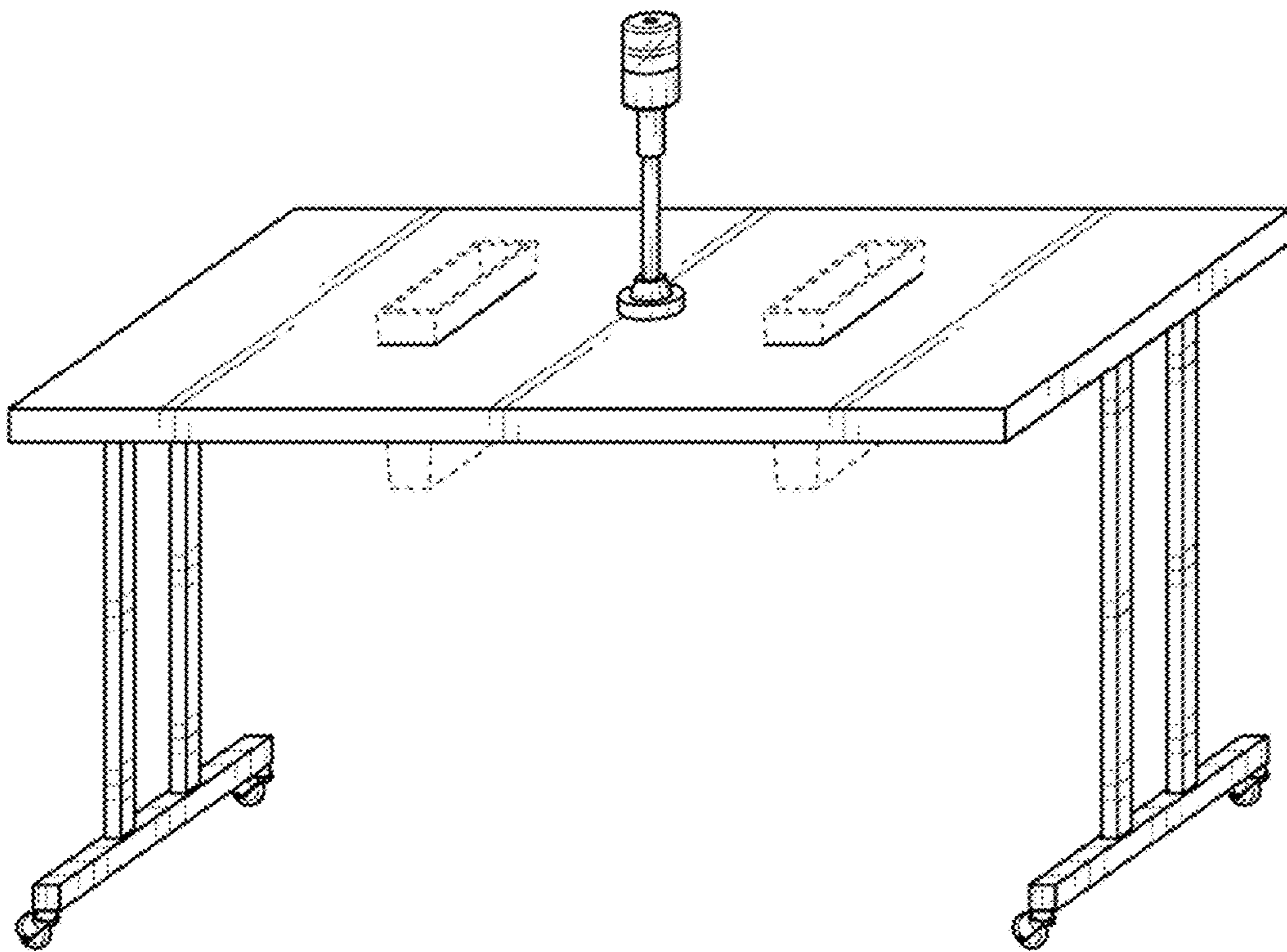


FIG. 1

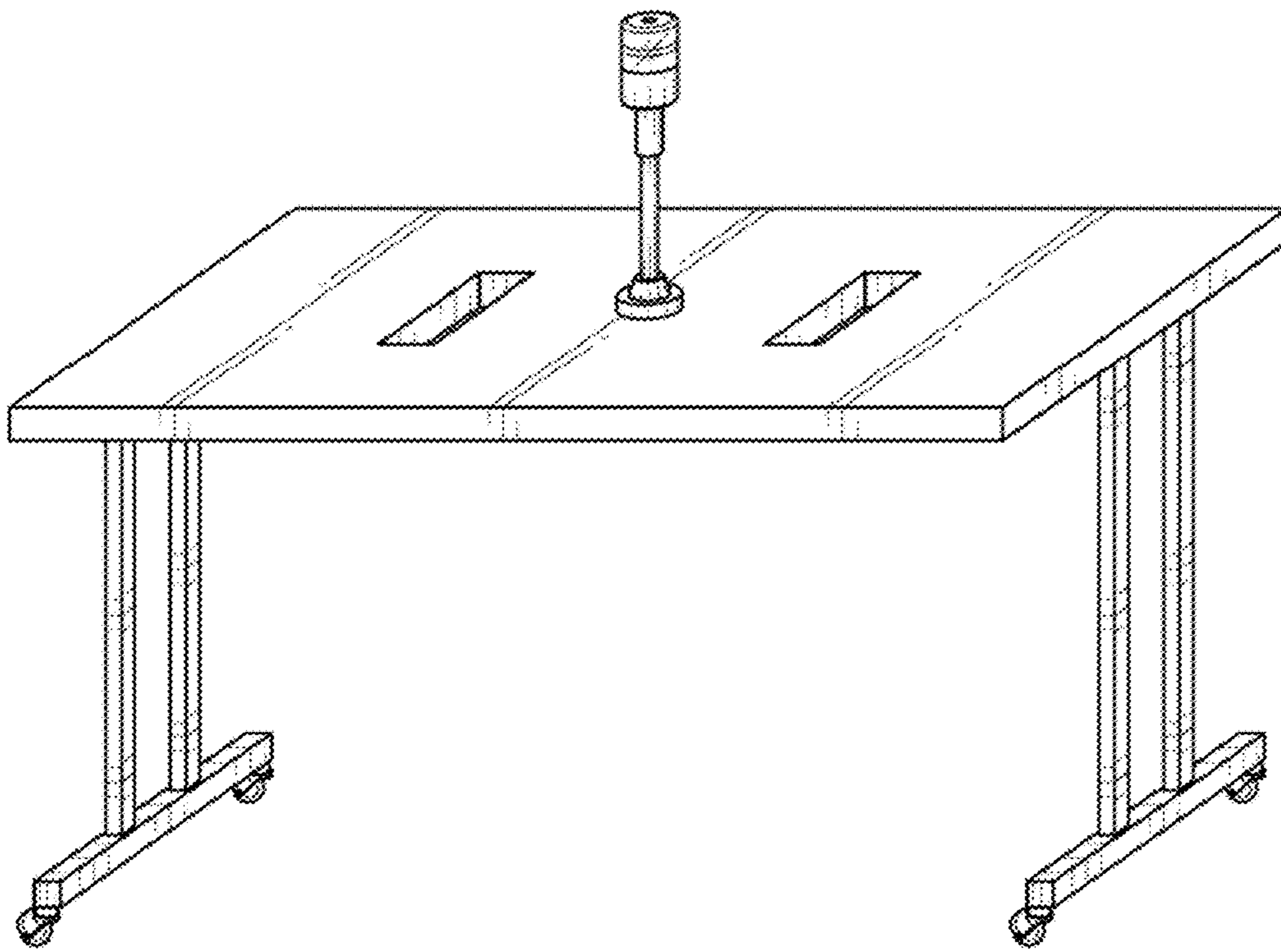


FIG. 2

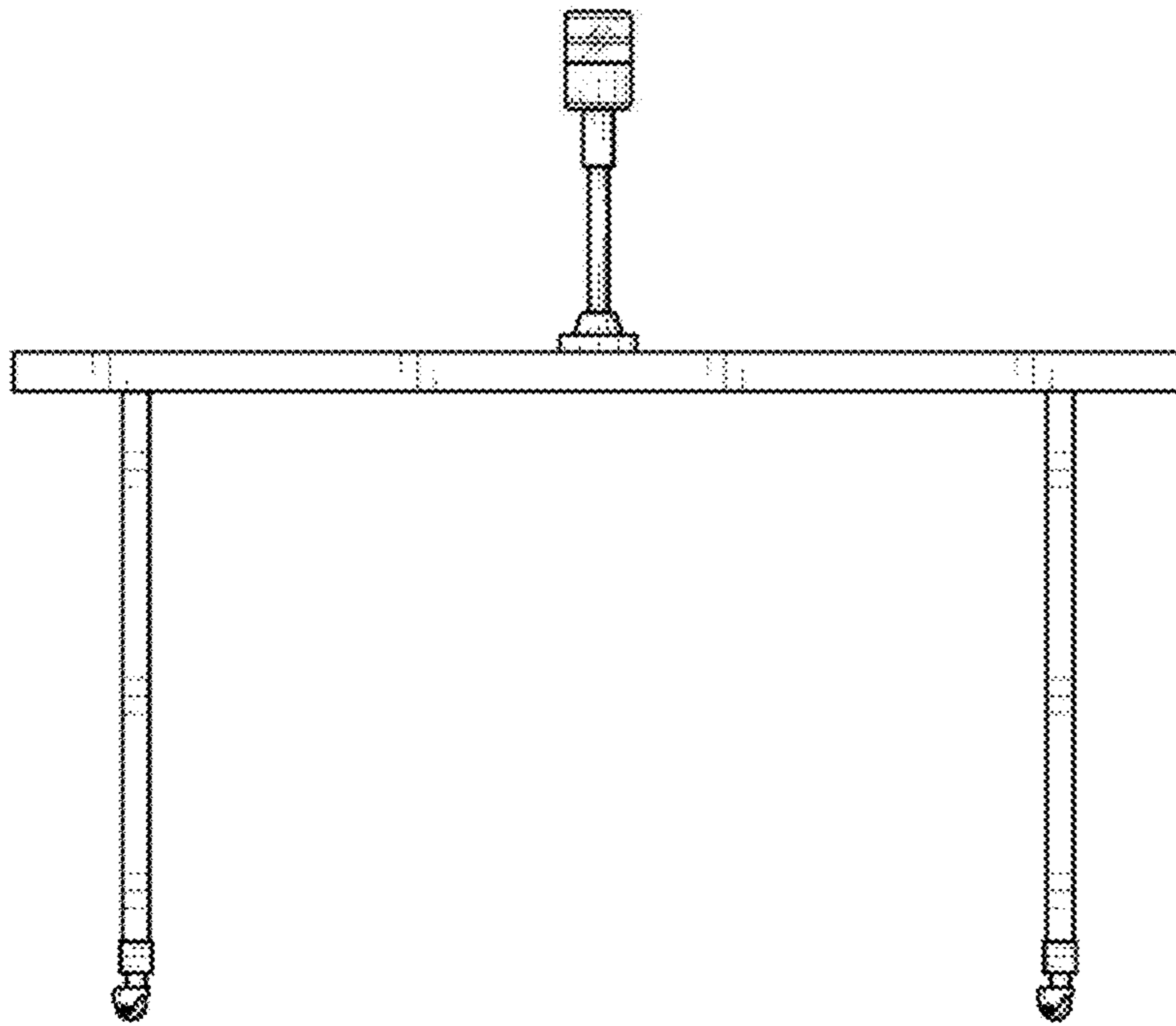


FIG. 3

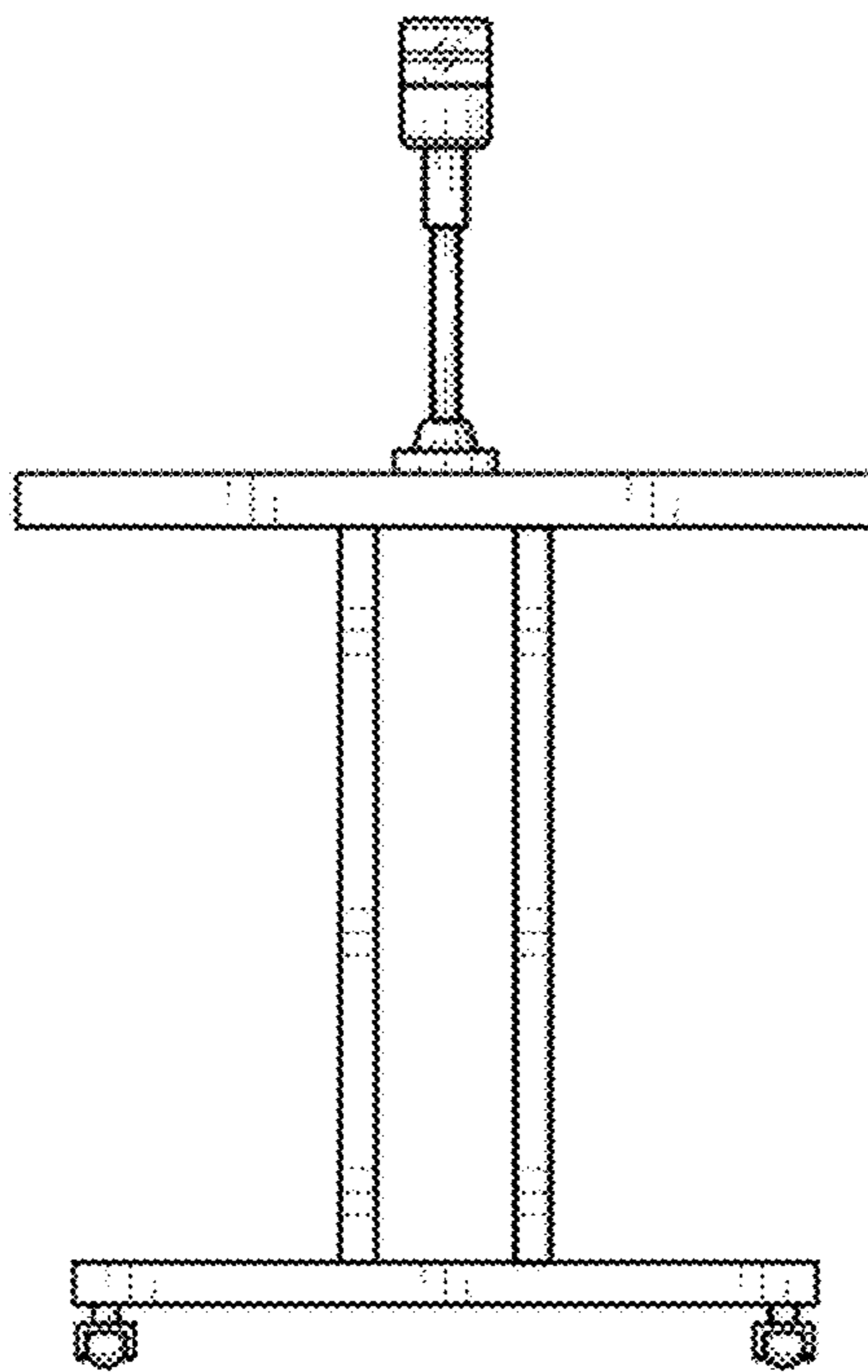


FIG. 4

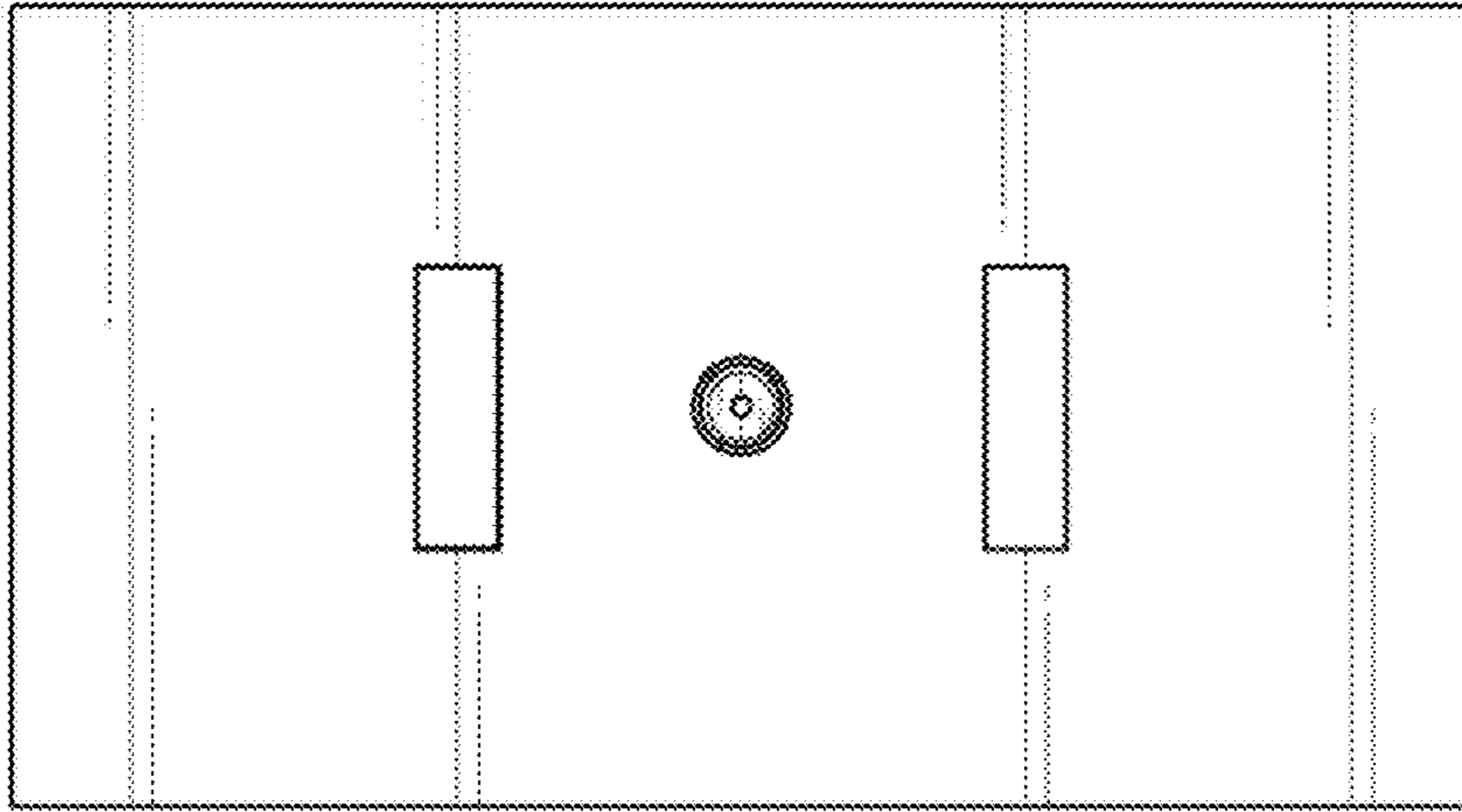


FIG. 5

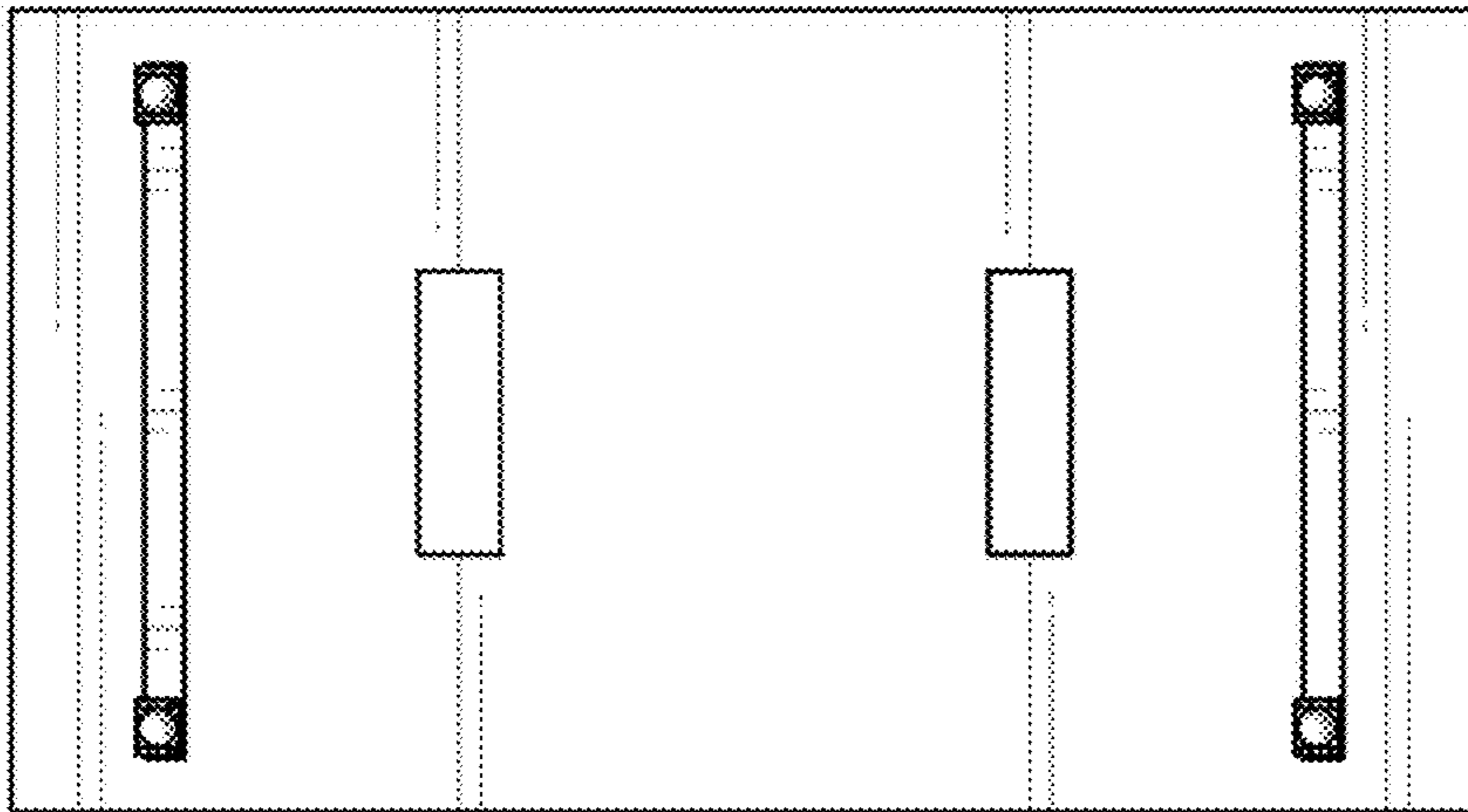


FIG. 6