



US00D851172S

(12) **United States Design Patent**
Vaiden, II

(10) **Patent No.:** **US D851,172 S**
(45) **Date of Patent:** **** Jun. 11, 2019**

(54) **LETTER BOARD**

(71) Applicant: **Set Sail Commerce Inc.**, St. Catharines (CA)

(72) Inventor: **Robert Vaiden, II**, St. Catharines (CA)

(73) Assignee: **SET SAIL COMMERCE INC.**, St. Catharines (CA)

(**) Term: **15 Years**

(21) Appl. No.: **29/678,630**

(22) Filed: **Jan. 30, 2019**

(51) **LOC (11) Cl.** **19-06**

(52) **U.S. Cl.**
USPC **D19/113**

(58) **Field of Classification Search**
USPC D6/300-314; D19/113, 114; D20/27, D20/29, 42, 43
CPC A47G 1/06; A47G 1/0616; A47G 1/0638; A47G 2001/0694; B43L 1/00; B43L 1/06; B43L 5/00; G09F 15/00; G09F 15/02; G09F 15/0012
See application file for complete search history.

(56) **References Cited**

U.S. PATENT DOCUMENTS

D23,692 S 10/1894 Odgers
1,132,097 A * 3/1915 Karpen1 G09F 7/08
40/618

(Continued)

OTHER PUBLICATIONS

Rustic Vintage Farmhouse Mirror, Square Solid Oak Wood Frame With Original Antique Glass (n.d.). Retrieved Jan. 23, 2019, from <https://laurelleaffarm.com/item-pages/mirrors-frames-prints/rustic-vintage-farmhouse-mirror-square-solid-oak-wood-frame-original-antique-glass-Laurel-Leaf-Farm-item-no-m41036.htm>.

(Continued)

Primary Examiner — Elizabeth A. Albert

(74) *Attorney, Agent, or Firm* — Dunlap Bennett & Ludwig PLLC; Brendan E. Squire

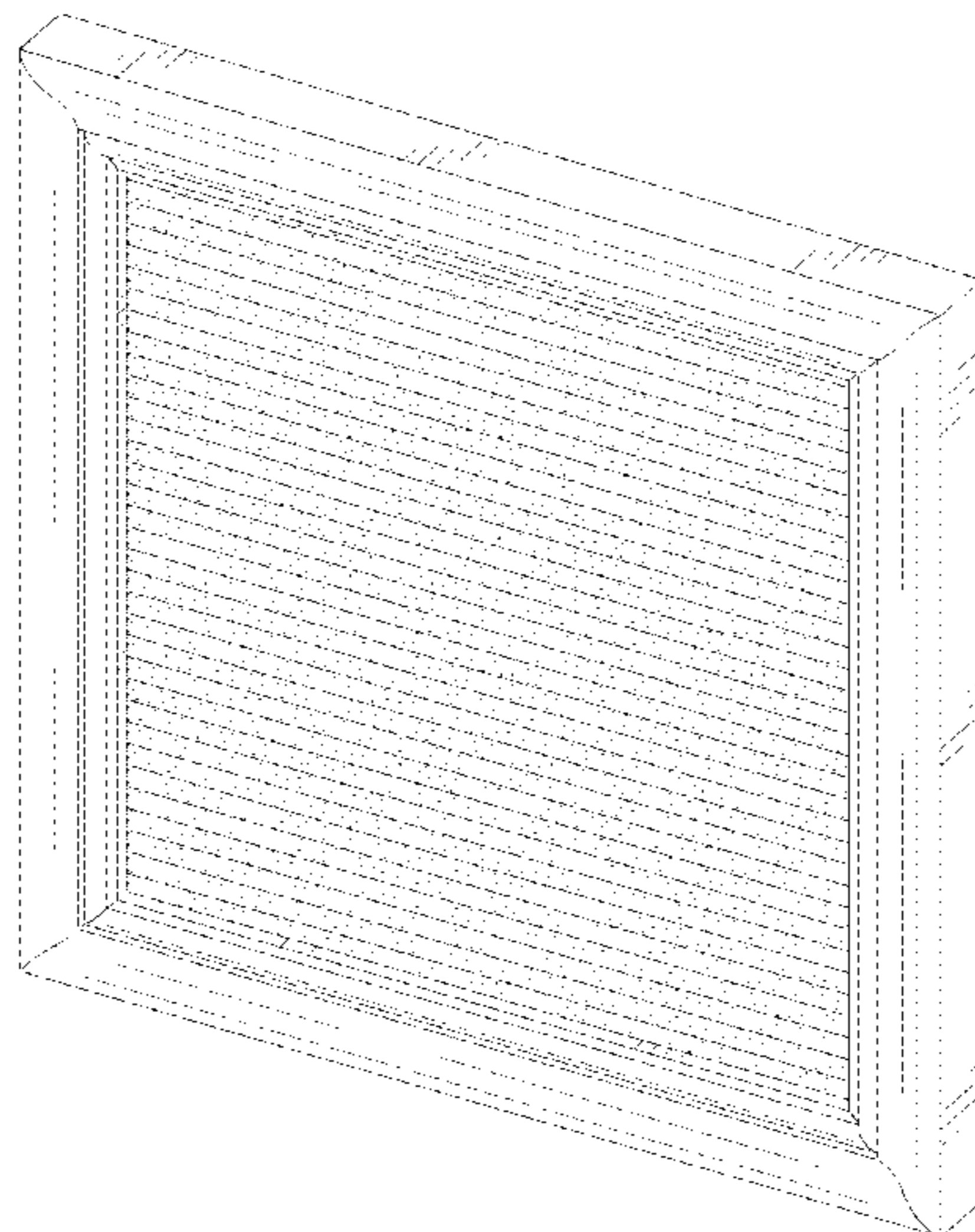
(57) **CLAIM**

The ornamental design for a letter board, as shown and described.

DESCRIPTION

FIG. 1 is a top front perspective view of a first embodiment of the letter board showing my new design; FIG. 2 is a front elevation view thereof; FIG. 3 is a rear elevation view thereof; FIG. 4 is a top plan view thereof; FIG. 5 is a bottom plan view thereof; FIG. 6 is a right side elevation view thereof, with the left side elevation view being a mirror image thereof; FIG. 7 is a partial section view thereof, taken along the line 7-7 in FIG. 6; FIG. 8 is a top front perspective view thereof, shown in use; FIG. 9 is a top front perspective view of a second embodiment of the letter board; FIG. 10 is a front elevation view thereof; FIG. 11 is a rear elevation view thereof; FIG. 12 is a top plan view thereof; FIG. 13 is a bottom plan view thereof; FIG. 14 is a right side elevation view thereof, with the left side elevation view being a mirror image thereof; FIG. 15 is a partial section view thereof, taken along the line 15-15 in FIG. 14; and, FIG. 16 is a top front perspective view thereof, shown in use. The broken, dash-dash lines shown in the drawings illustrate portions of the letter board that form no part of the claimed design. The letter board is shown with a symbolic break in its length indicated with dash-dot-dash lines. The appearance of any portion of the article between the break lines forms no part of the claimed design.

1 Claim, 12 Drawing Sheets



(56)

References Cited

U.S. PATENT DOCUMENTS

1,358,534 A * 11/1920 Finch G09F 15/0012
40/617
2,104,366 A * 1/1938 Gossett G09F 15/0006
40/611.03
D142,056 S 8/1945 Barrett
D168,325 S * 12/1952 Abrams D6/300
D172,278 S * 5/1954 Helms D6/300
2,682,125 A * 6/1954 Coffield G09F 7/08
40/611.01
2,697,293 A * 12/1954 Greenhut G09F 7/08
248/441.1
D175,806 S 10/1955 Roman et al.
2,746,189 A * 5/1956 Bass G09F 7/08
40/622
D205,771 S * 9/1966 Spiselman D6/311
D247,598 S * 3/1978 Kearney D19/20
D259,085 S 5/1981 Cochrane et al.
4,367,604 A * 1/1983 Porter, II G09F 7/10
40/564
D312,923 S * 12/1990 Bleazard D6/300
D353,942 S 1/1995 Lo et al.
D358,037 S * 5/1995 Monroe D6/300
D384,108 S * 9/1997 Rinicella D20/10
D384,821 S 10/1997 Sugar
D401,767 S 12/1998 Leung
D401,768 S 12/1998 Leung
D406,466 S 3/1999 Keller et al.
D430,735 S 9/2000 Wistehuff, Sr.
D446,668 S 8/2001 Gohman et al.
D480,221 S * 10/2003 Luciano D6/300
D527,192 S 8/2006 Schaefer et al.
D528,309 S 9/2006 Schwind
7,117,998 B2 * 10/2006 Krapf A47F 7/146
211/45
D541,054 S 4/2007 Schwind

D542,543 S * 5/2007 Bruce D6/300
D578,311 S 10/2008 Cooley
D606,763 S 12/2009 Chiu
D610,354 S * 2/2010 Kuo D6/300
7,851,957 B2 * 12/2010 Krapf F16C 39/066
310/103
D719,744 S * 12/2014 Plumbo D6/300
D720,813 S * 1/2015 Stenfors D20/43
D728,247 S 5/2015 Hoff et al.
D735,480 S * 8/2015 Fallon D6/308
D751,831 S 3/2016 Shay-Puetzer et al.
D756,671 S 5/2016 Maddox
D811,752 S * 3/2018 Ross, III D6/300
D812,384 S 3/2018 Zhu
D816,159 S 4/2018 Gardner
D825,659 S * 8/2018 He D19/113
10,149,557 B2 * 12/2018 Vestergaard A47G 1/0605
2007/0163159 A1 * 7/2007 Fernandez Conesa
G09F 11/00
40/446

OTHER PUBLICATIONS

Chrysanthemums Antique Color Litho Print Still Life Floral Picture in Old Wood Frame (n.d.). Retrieved Jan. 23, 2019, from <https://laurelleaffarm.com/item-pages/mirrors-frames-prints/chrysanthemums-antique-color-litho-print-still-life-floral-picture-in-old-wood-frame-Laurel-Leaf-Farm-item-no-m52269.htm>.
30s Vintage Oak Framed Plain Glass Mirror, Industrial Office Furniture With Rustic Patina (n.d.). Retrieved Jan. 23, 2019, from <https://laurelleaffarm.com/item-pages/mirrors-frames-prints/30s-vintage-oak-framed-plain-glass-mirror-industrial-office-furniture-rustic-patina-Laurel-Leaf-Farm-item-no-m61775.htm>.
Deep Box Pin Frame (n.d.). Retrieved Jan. 23, 2019, from <https://www.therange.co.uk/home-furnishings/picture-frames-and-wall-art/picture-frames/deep-box-pin-frame/#511083>.

* cited by examiner

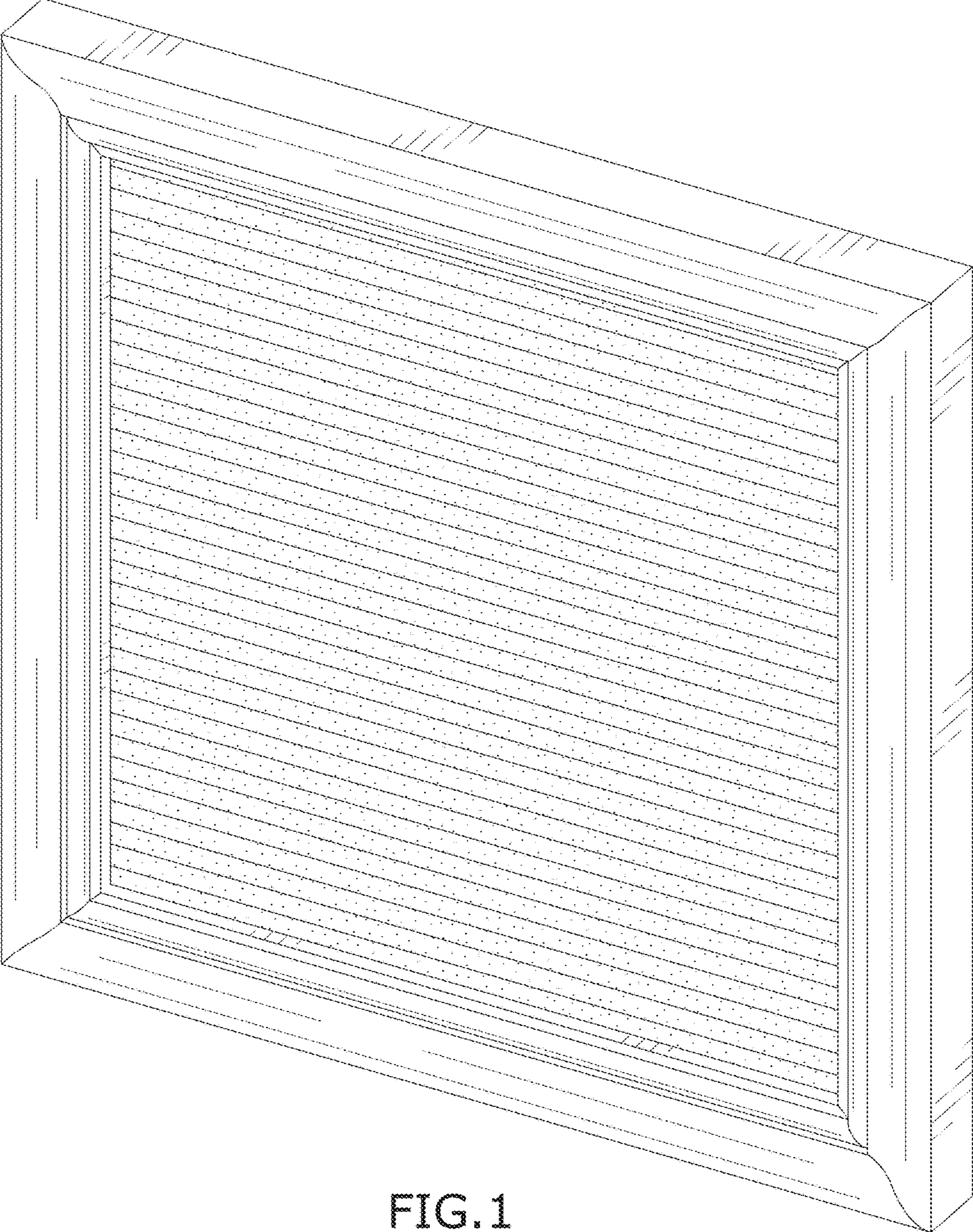


FIG. 1

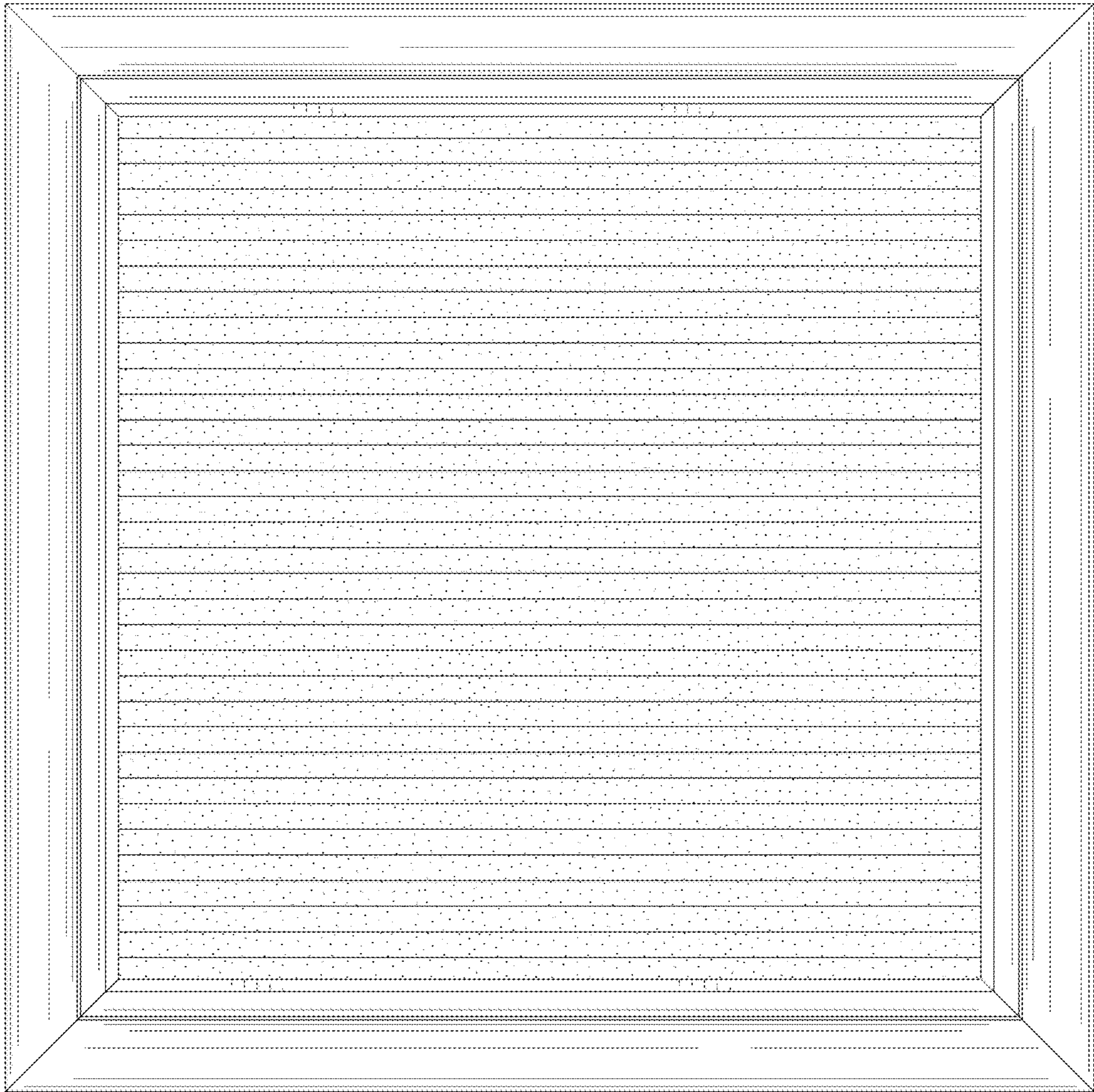


FIG. 2

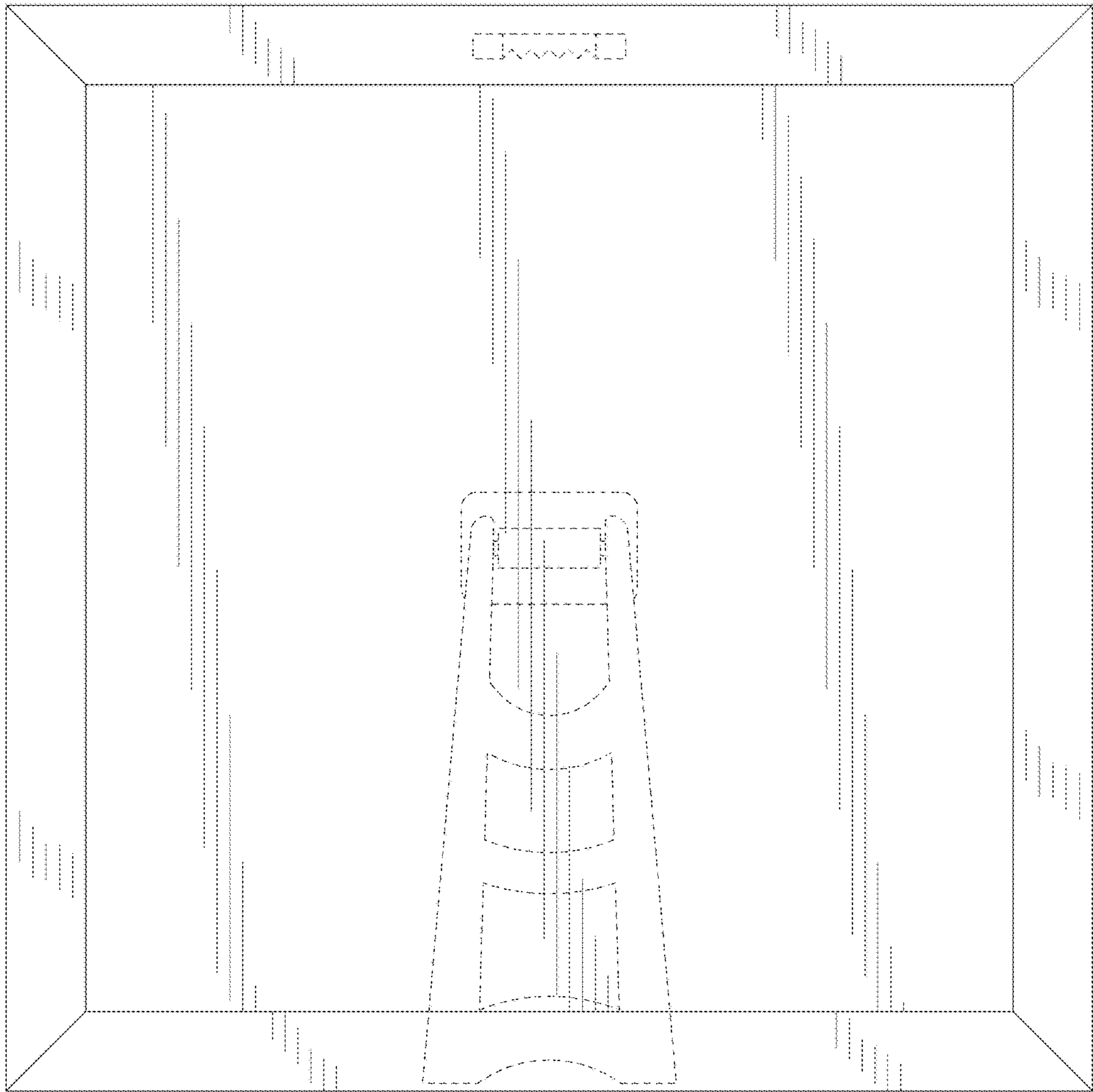


FIG. 3

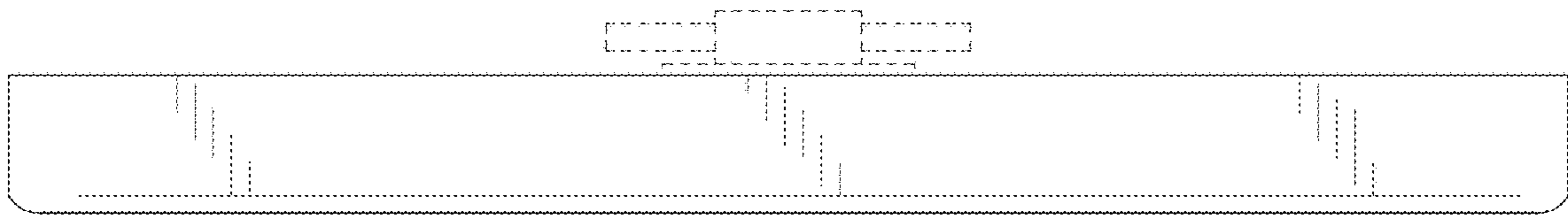


FIG. 4

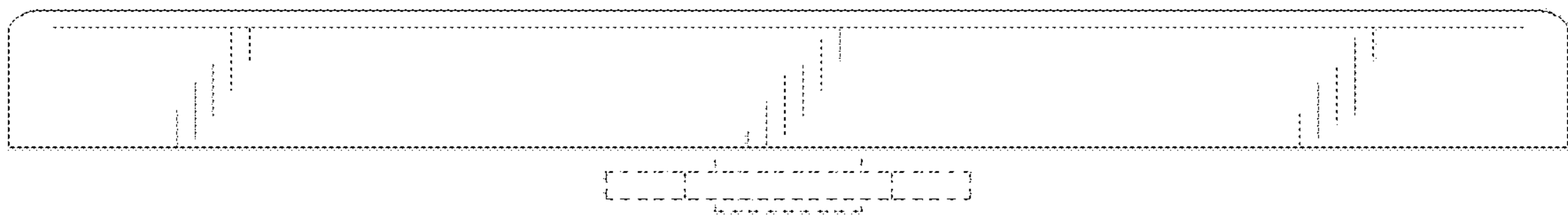


FIG. 5

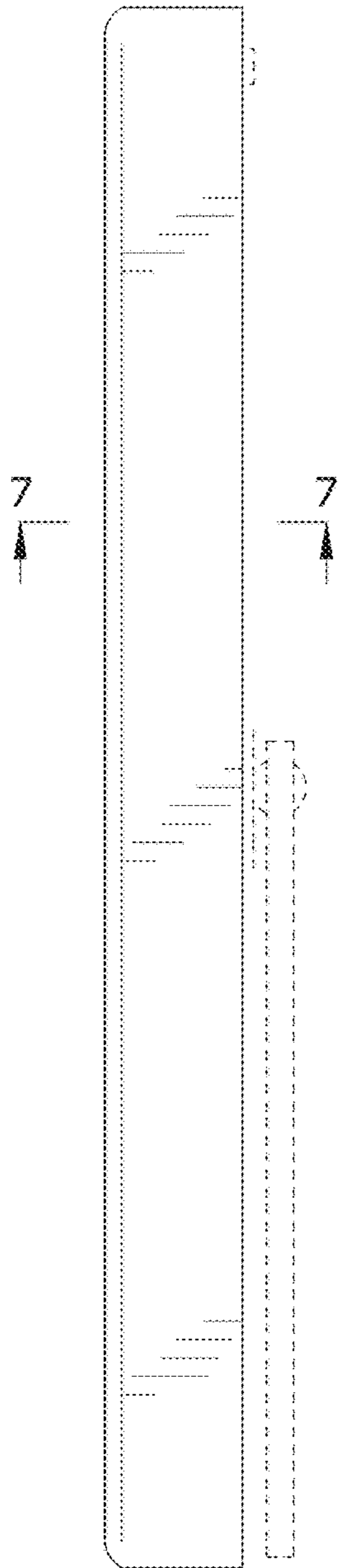


FIG. 6

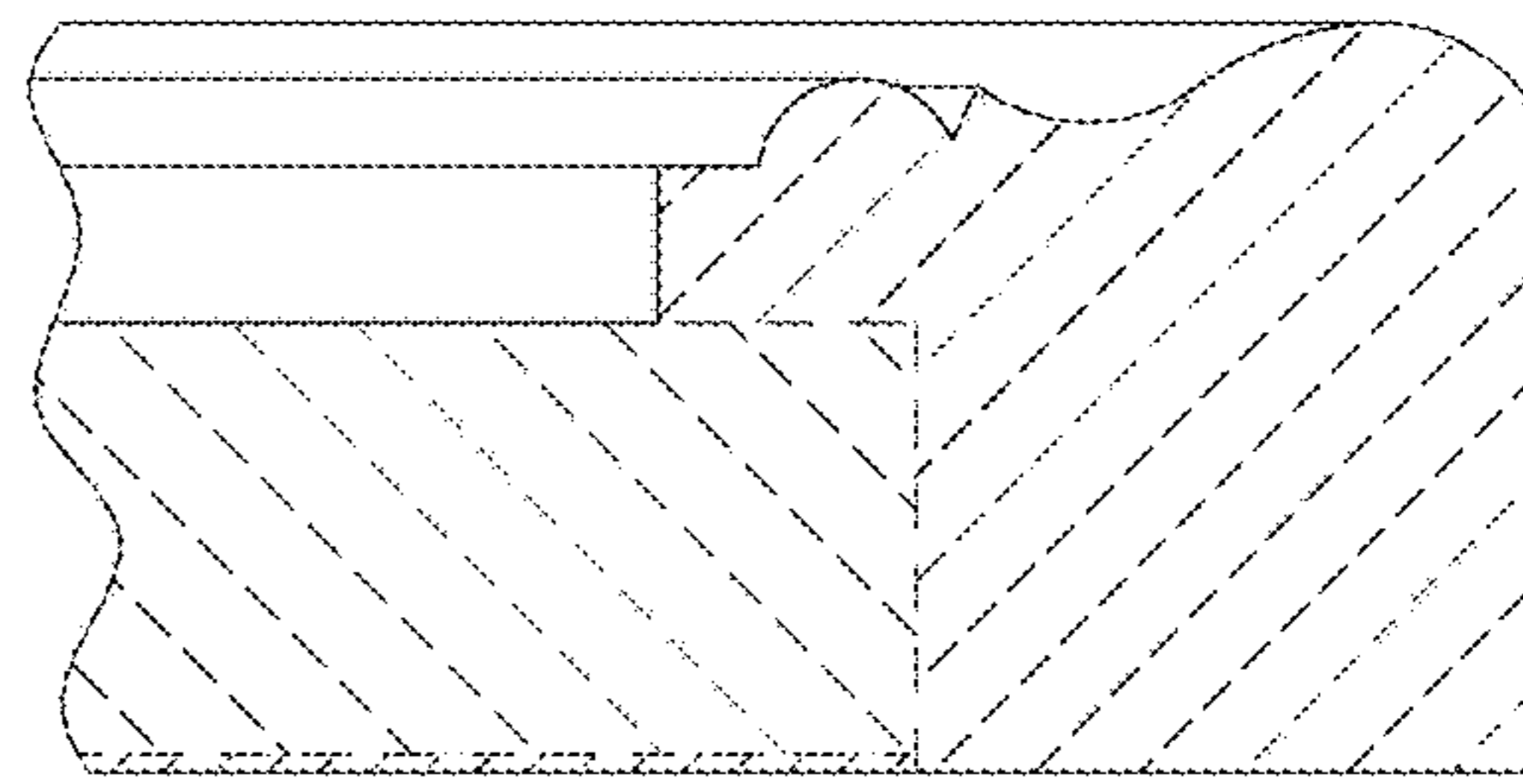


FIG. 7

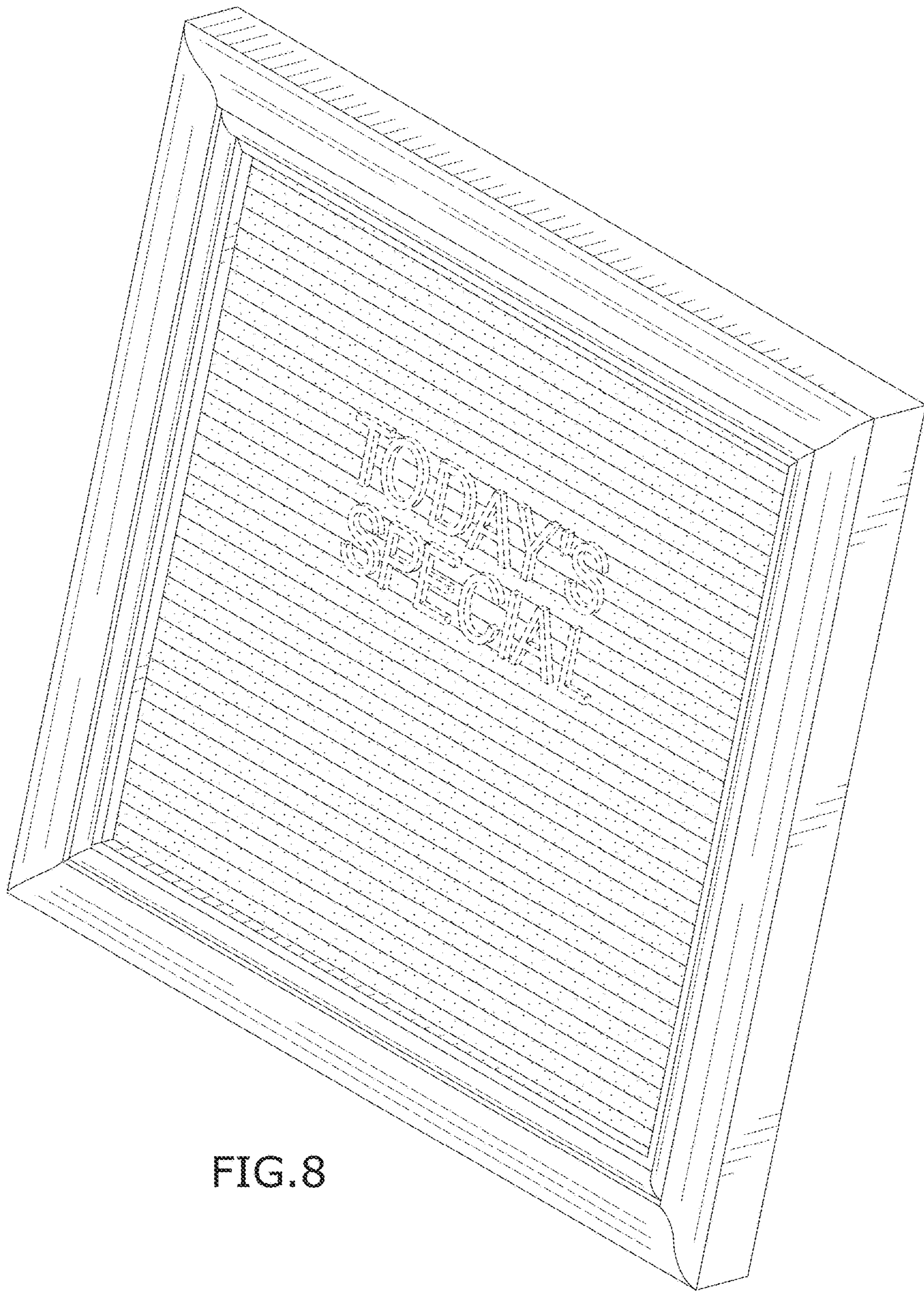


FIG.8

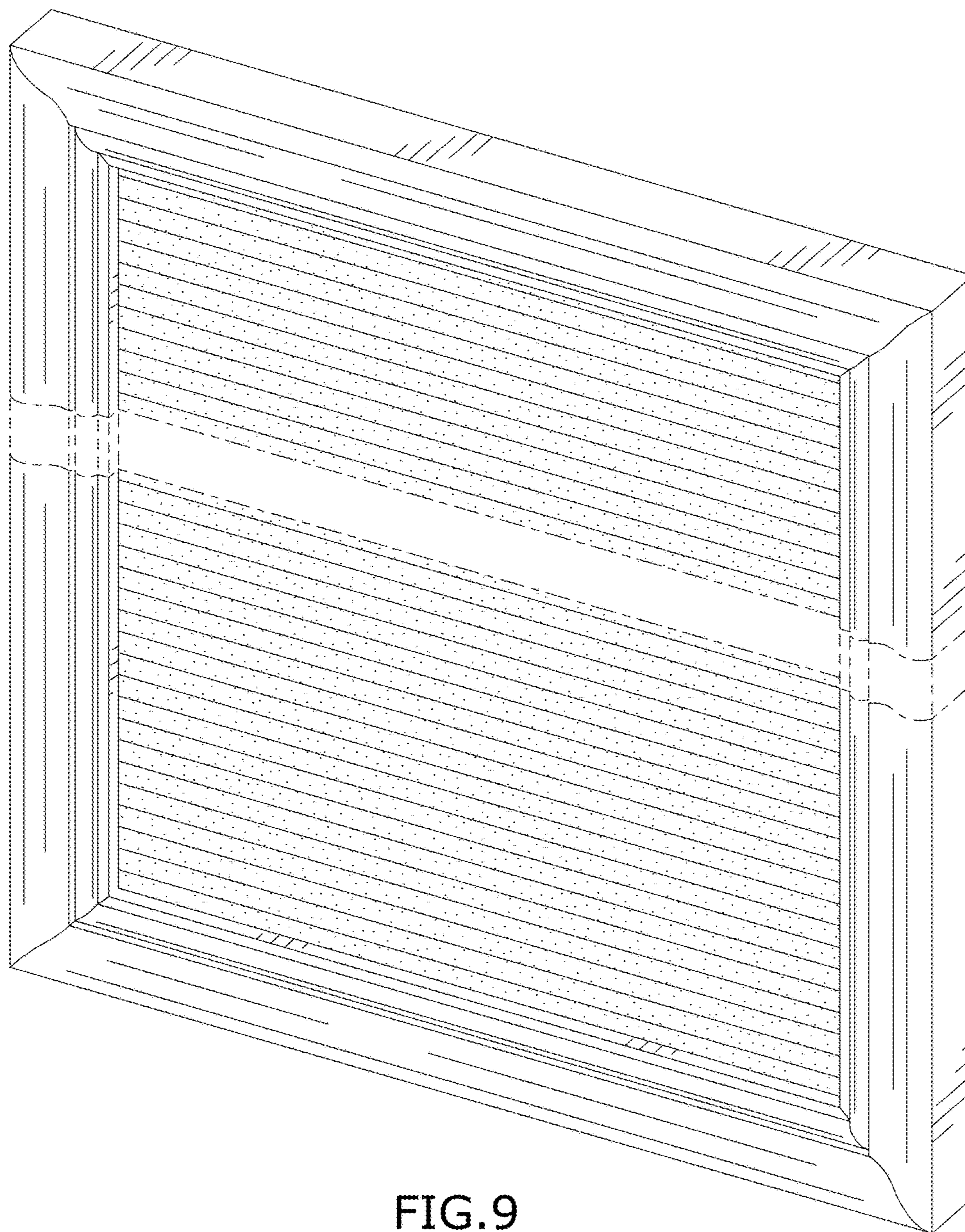


FIG. 9

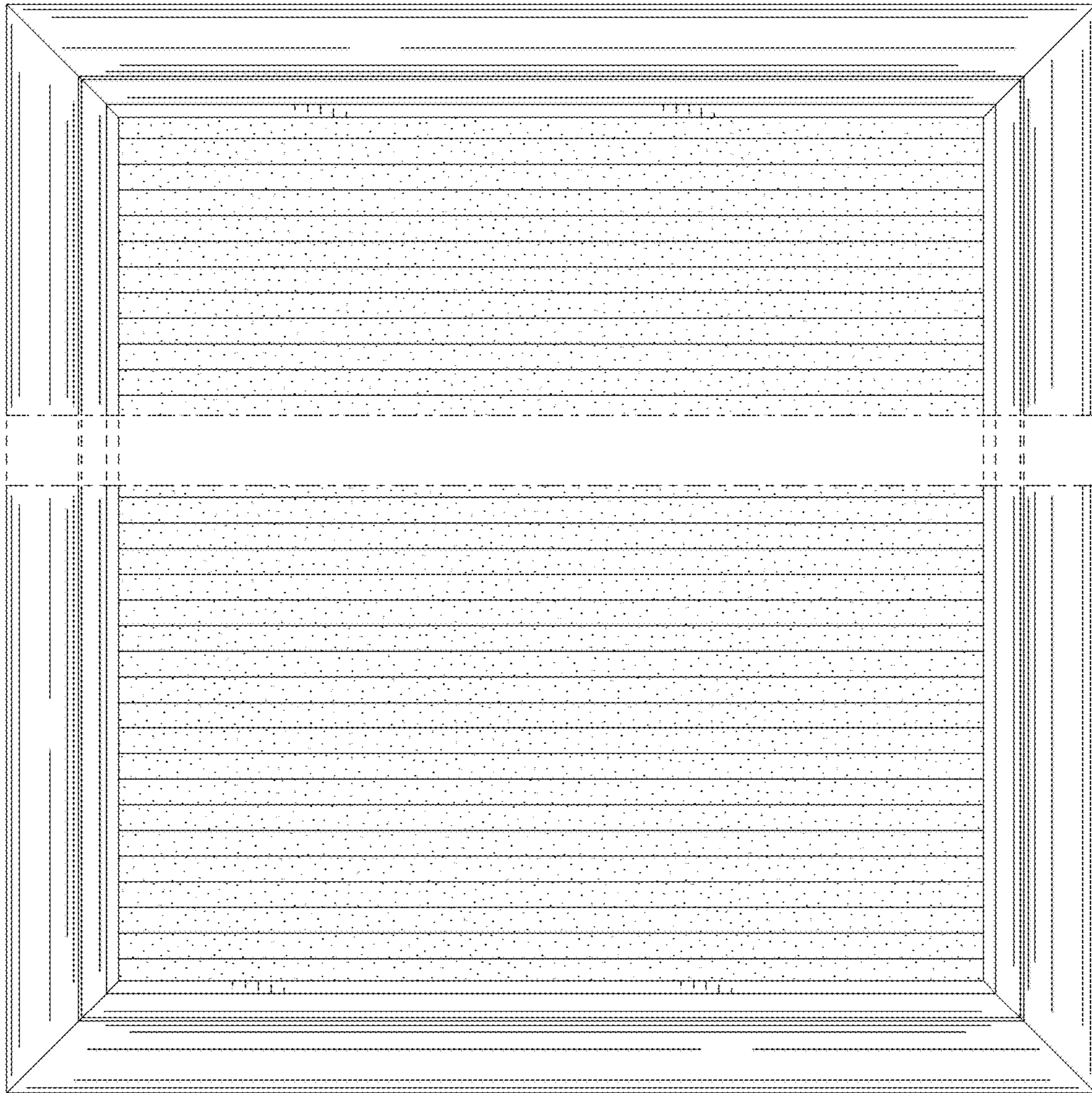


FIG. 10

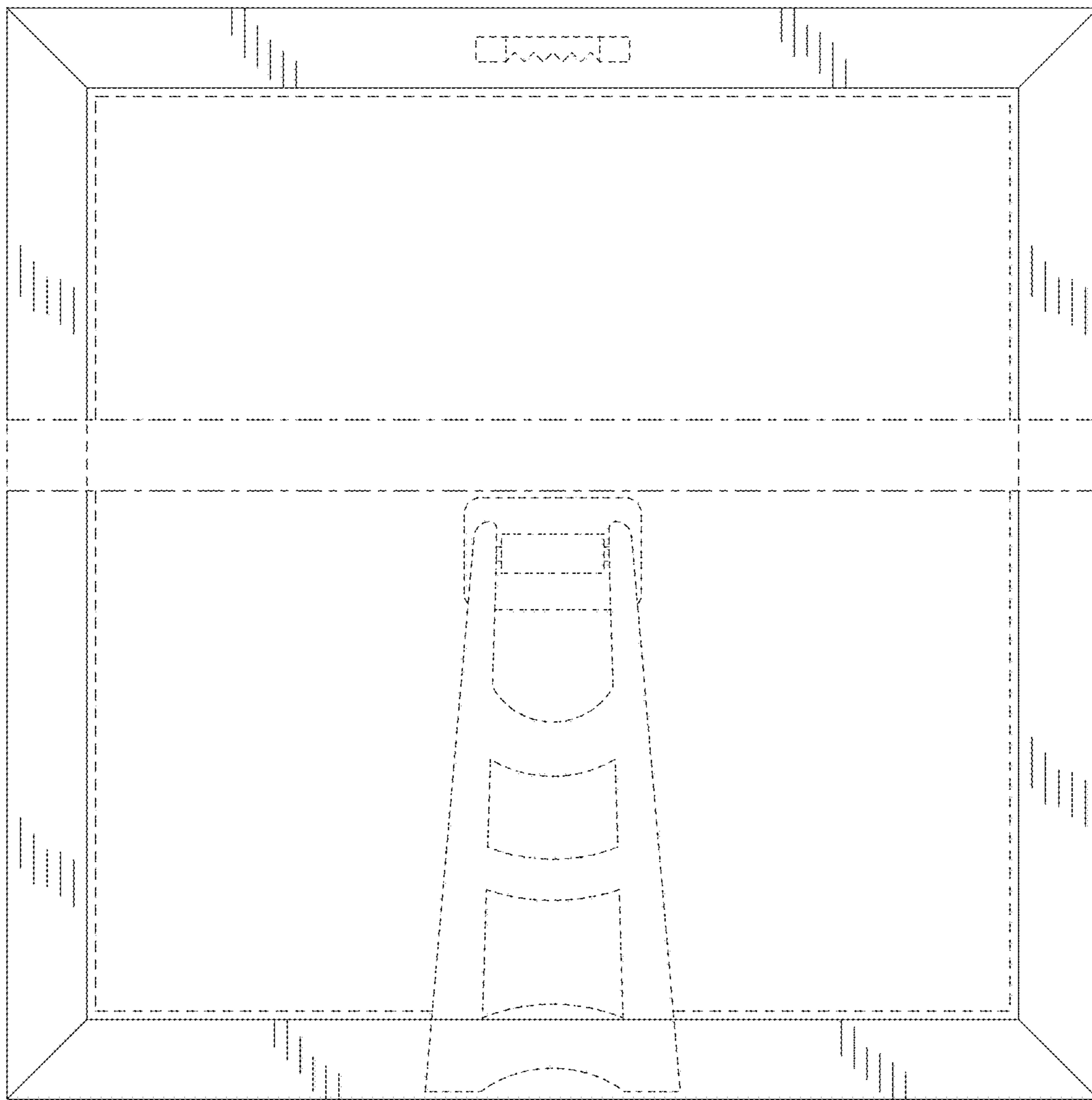


FIG. 11

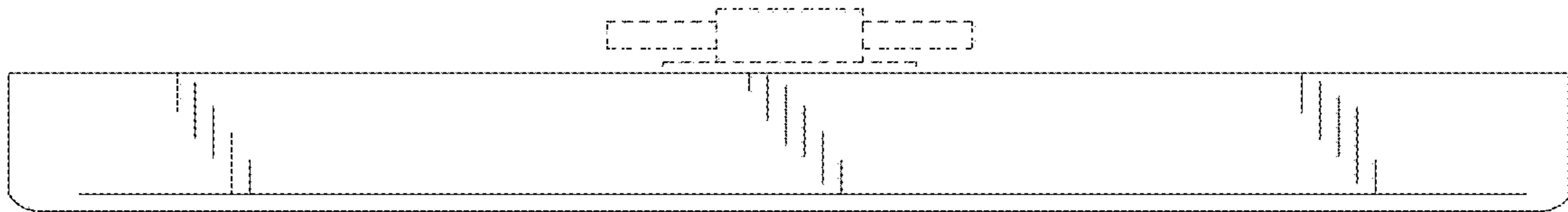


FIG. 12

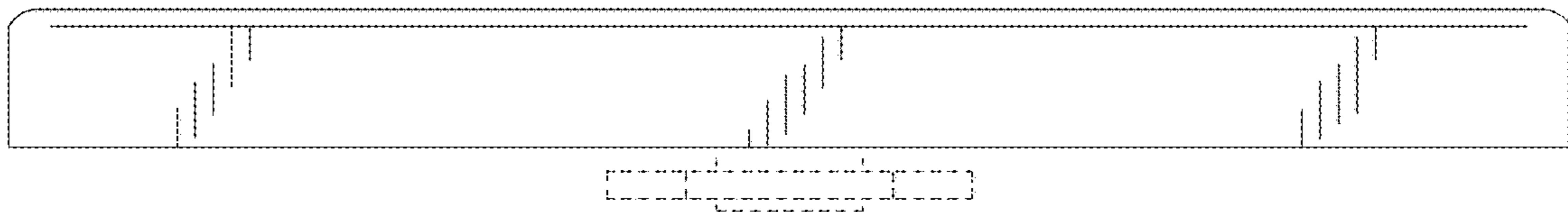


FIG. 13

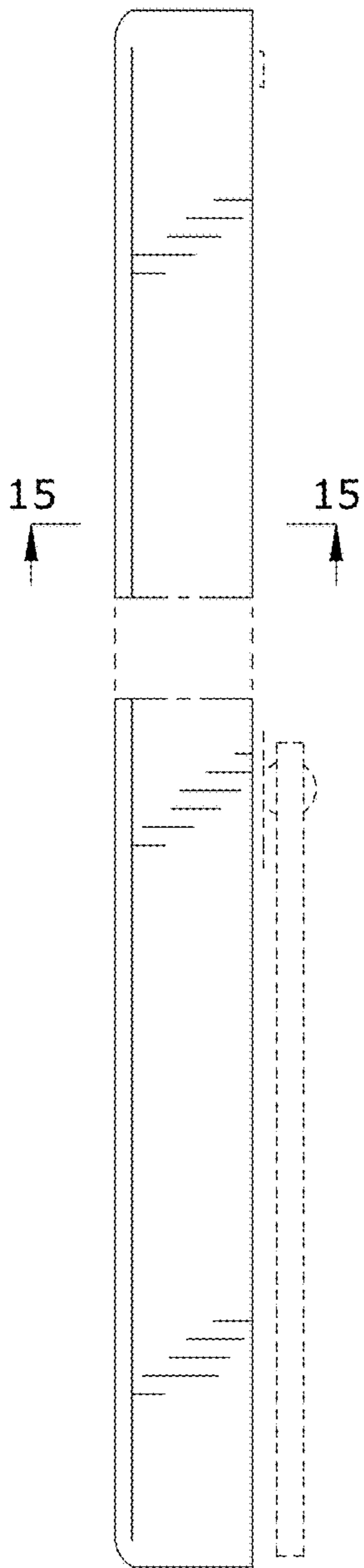


FIG.14

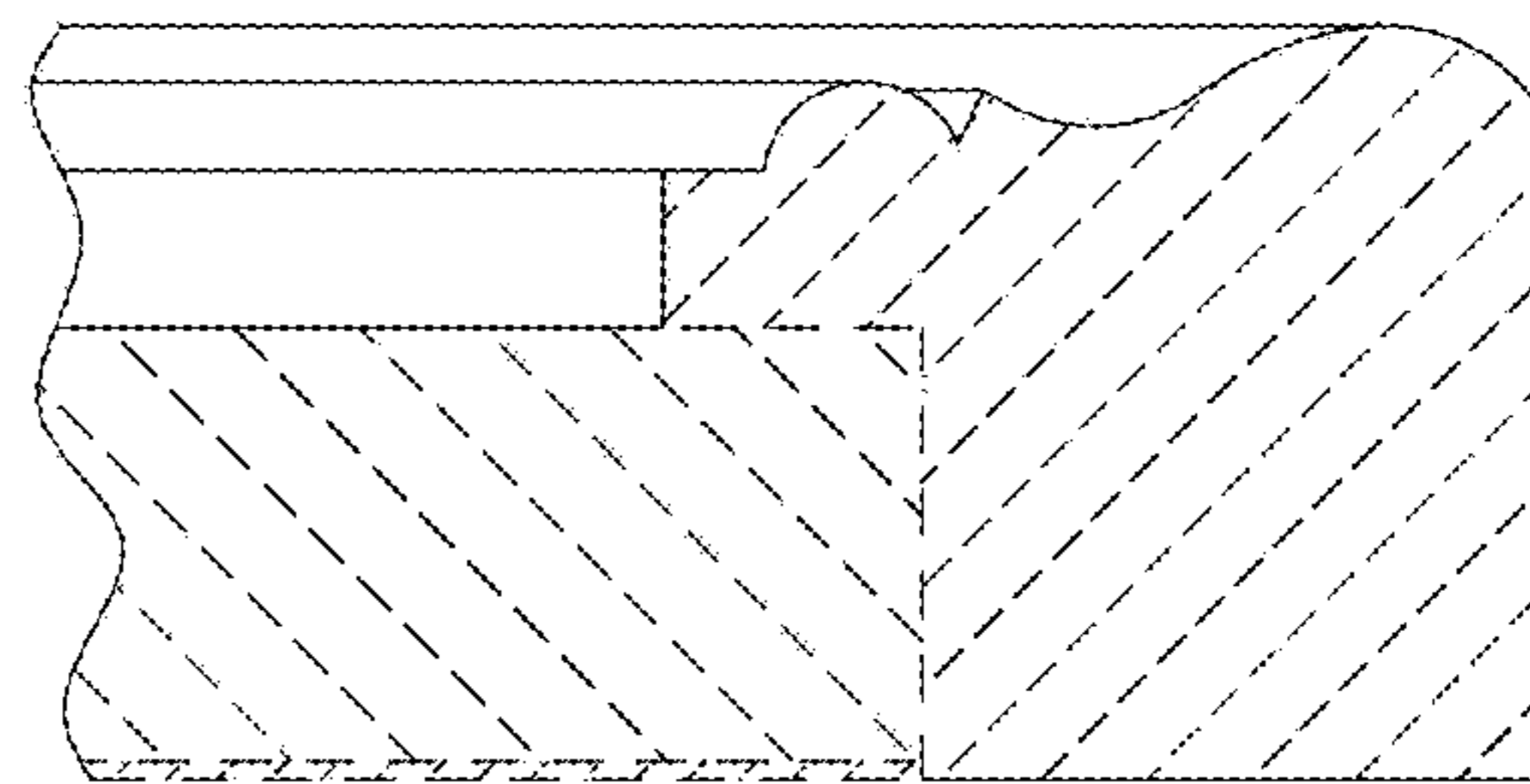


FIG.15

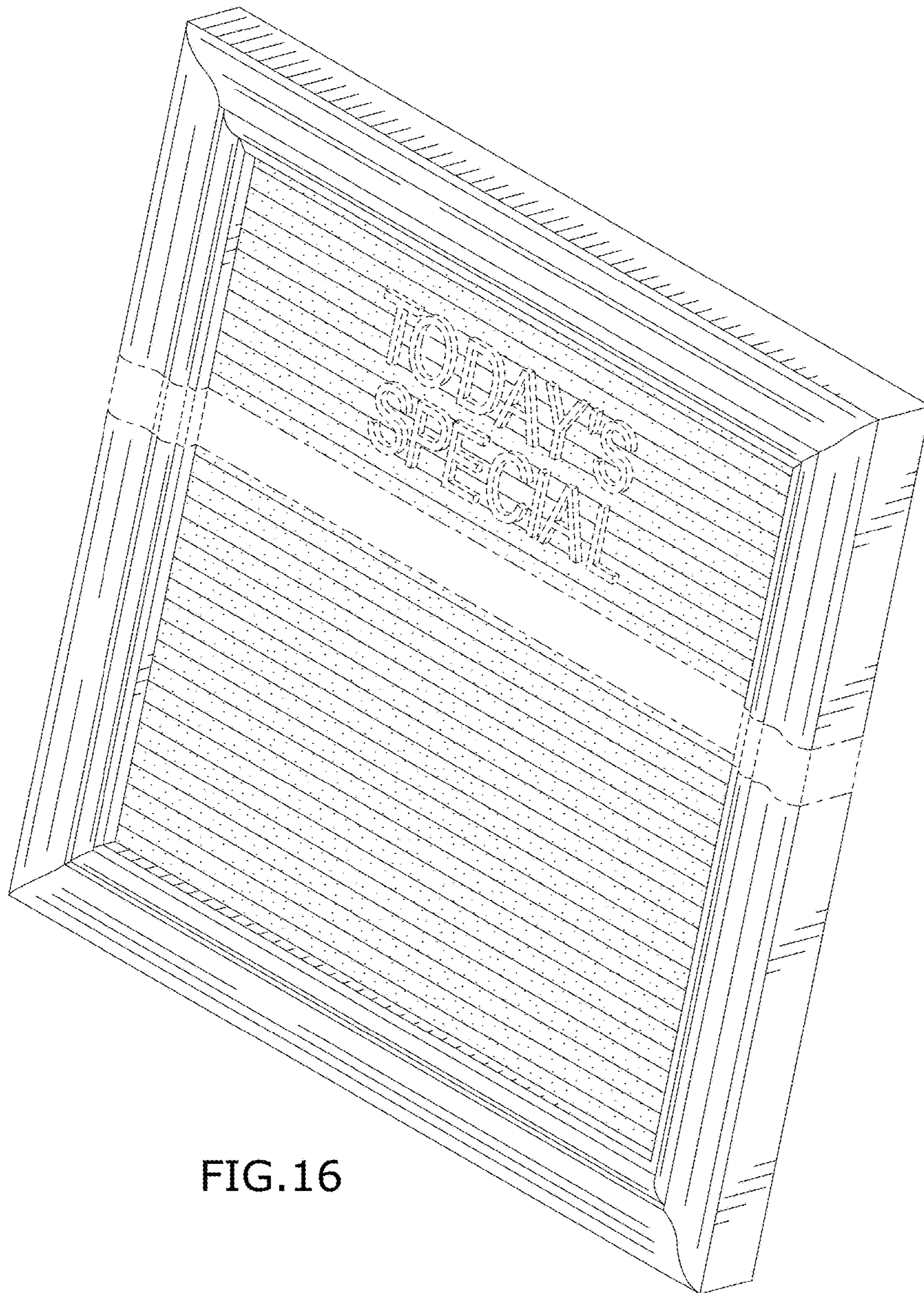


FIG.16