



US00D851163S

(12) **United States Design Patent** (10) **Patent No.:** **US D851,163 S**
Huang (45) **Date of Patent:** **** Jun. 11, 2019**

(54) **SELFIE STICK**
(71) Applicant: **SHENZHEN HAOHUALIANHE TECHNOLOGY CO., LTD.**,
Shenzhen, Guangdong Province (CN)
(72) Inventor: **Xiang Huang**, Jieyang (CN)
(73) Assignee: **SHENZHEN HAOHUALIANHE TECHNOLOGY CO., LTD.**,
Shenzhen, Guangdong Province (CN)

D663,702 S * 7/2012 Naitou D13/168
D793,995 S * 8/2017 Nakagawa D14/218
D801,344 S * 10/2017 Zurschmiede D14/447
D803,932 S * 11/2017 Martin D16/243
D806,780 S * 1/2018 Martin D16/243
D807,371 S * 1/2018 Bertelle D14/447
D813,930 S * 3/2018 Kim D16/219
D815,104 S * 4/2018 Bertelle D14/447
D819,118 S * 5/2018 Muhlenkamp, IV D16/243
2014/0321904 A1* 10/2014 Bao F16M 13/00
403/132
2018/0066792 A1* 3/2018 Chen F16M 11/04

(**) Term: **15 Years**

(21) Appl. No.: **29/639,120**

(22) Filed: **Mar. 5, 2018**

(30) **Foreign Application Priority Data**

Dec. 21, 2017 (CN) 2017 3 0657741

(51) **LOC (11) Cl.** **16-05**

(52) **U.S. Cl.**
USPC **D16/243; D16/237**

(58) **Field of Classification Search**
USPC D16/219, 237-250; D14/224, 229, 238,
D14/251, 253, 447, 451, 457; D8/354,
D8/355, 363, 373, 382-383, 394-396
CPC F16M 11/06-10; F16M 11/14; G02B
7/00-002; G03B 17/56; G03B
17/561-568; H04N 5/2253-2254; A45F
2200/0508-0533; A45F 5/00; A45F 5/10
See application file for complete search history.

(56) **References Cited**

U.S. PATENT DOCUMENTS

D371,370 S * 7/1996 Fenton D14/230
D450,337 S * 11/2001 Hamamura D13/168
D481,406 S * 10/2003 Alessio D16/203
6,683,654 B1 * 1/2004 Haijima H04N 5/2252
348/335
D556,804 S * 12/2007 Ishida D16/202

OTHER PUBLICATIONS

Selfie Stick Bluetooth, Wireless Extendable Selfie Stick, Ausemku Mini Monopod Phone Holder. [online] Published Sep. 12, 2018. Retrieved Nov. 26, 2018 from URL: https://www.amazon.com/dp/B07G9GSDW8/ref=sspa_dk_detail_4?psc=1&pd_rd_i=B07G9GSDW8.*

(Continued)

Primary Examiner — Vy N Koenig
(74) *Attorney, Agent, or Firm* — WPAT, PC

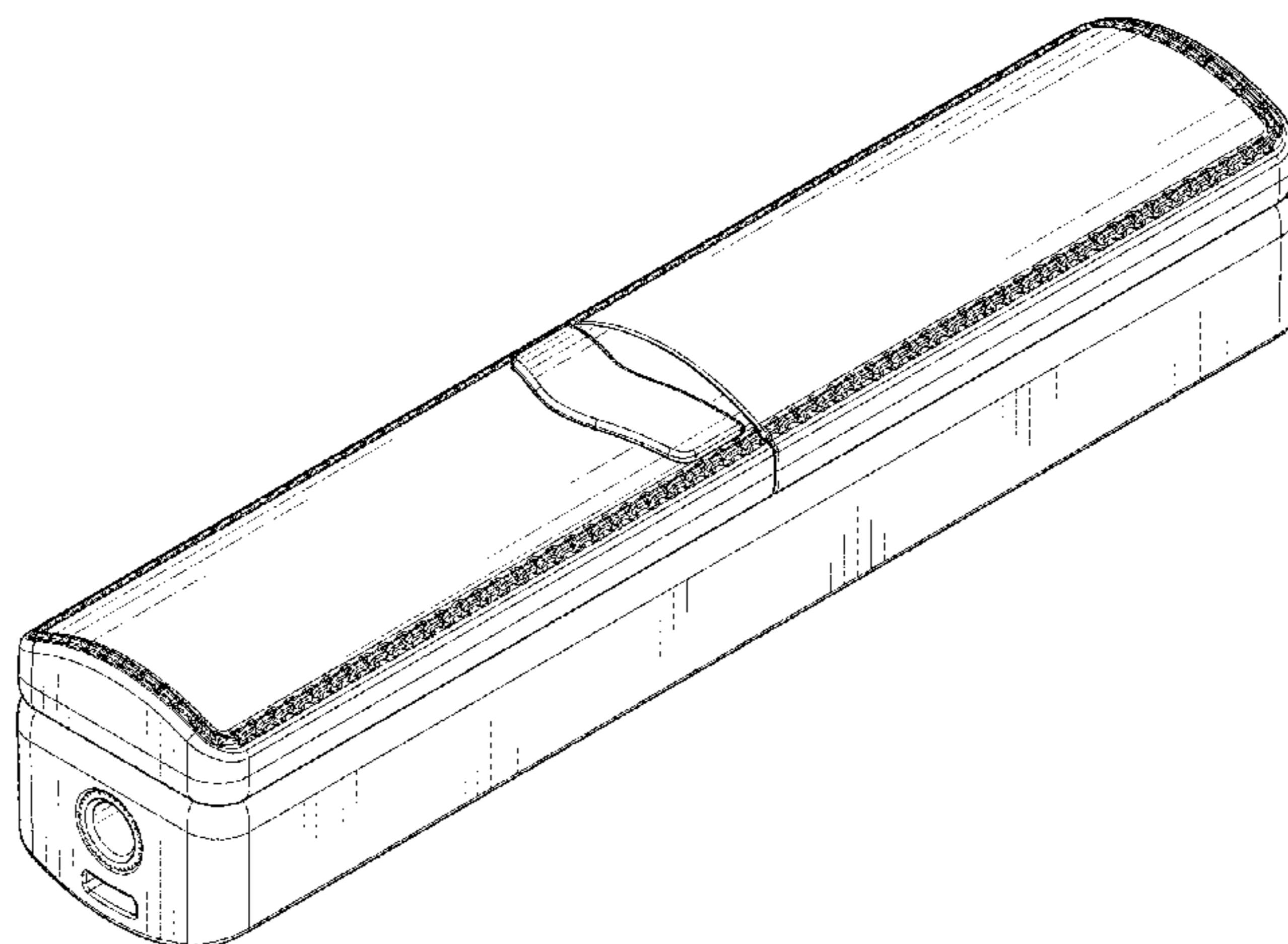
(57) **CLAIM**

The ornamental design for a selfie stick, as shown and described.

DESCRIPTION

FIG. 1 is a front, top and right perspective view of a selfie stick showing my new design;
FIG. 2 is a front elevational view thereof;
FIG. 3 is a rear elevational view thereof;
FIG. 4 is a left side elevational view thereof;
FIG. 5 is a right side elevational view thereof;
FIG. 6 is a top plan view thereof;
FIG. 7 is a bottom plan view thereof; and,
FIG. 8 is a rear, bottom and left perspective view thereof.

1 Claim, 5 Drawing Sheets



(56)

References Cited

OTHER PUBLICATIONS

Bluetooth Selfie Stick, atongm Mini Cell Phone Selfie Sticks.
[online] Published Jan. 16, 2018. Retrieved Nov. 26, 2018 from
URL: https://www.amazon.com/dp/B076DH1N92/ref=sspa_dk_detail_7?psc=1&pd_rd_i=B076DH1N92.*

* cited by examiner

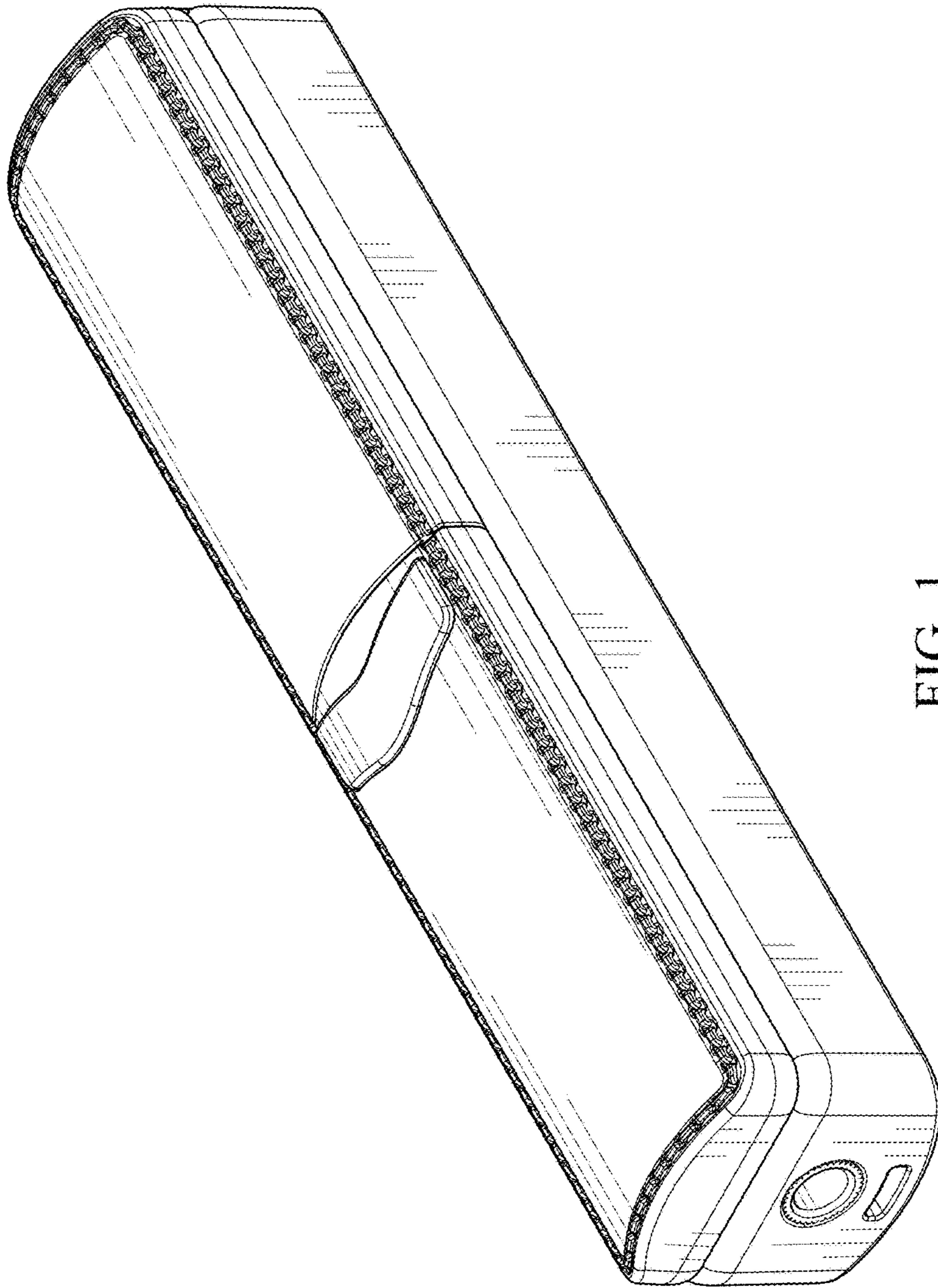


FIG. 1

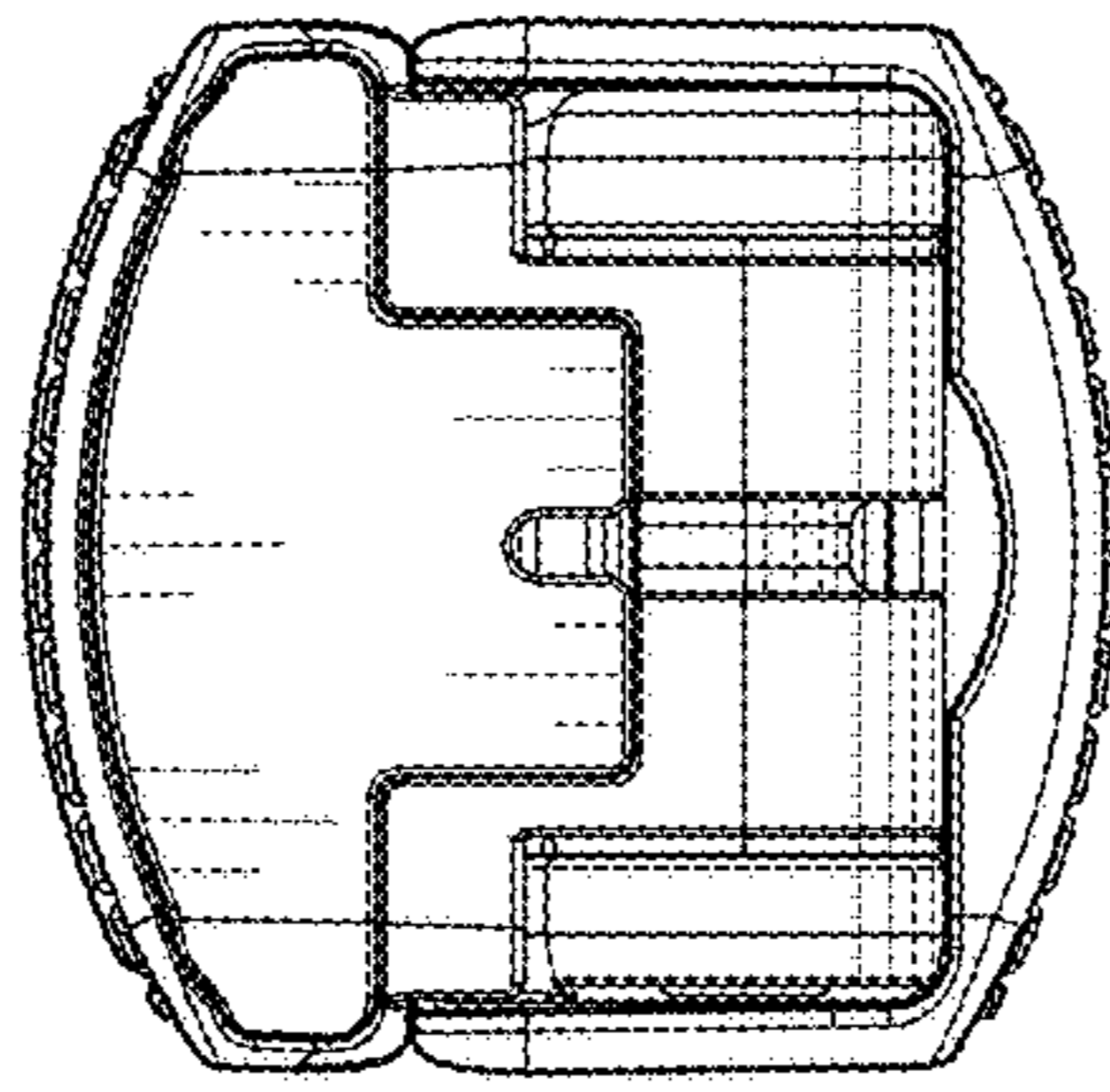


FIG. 3

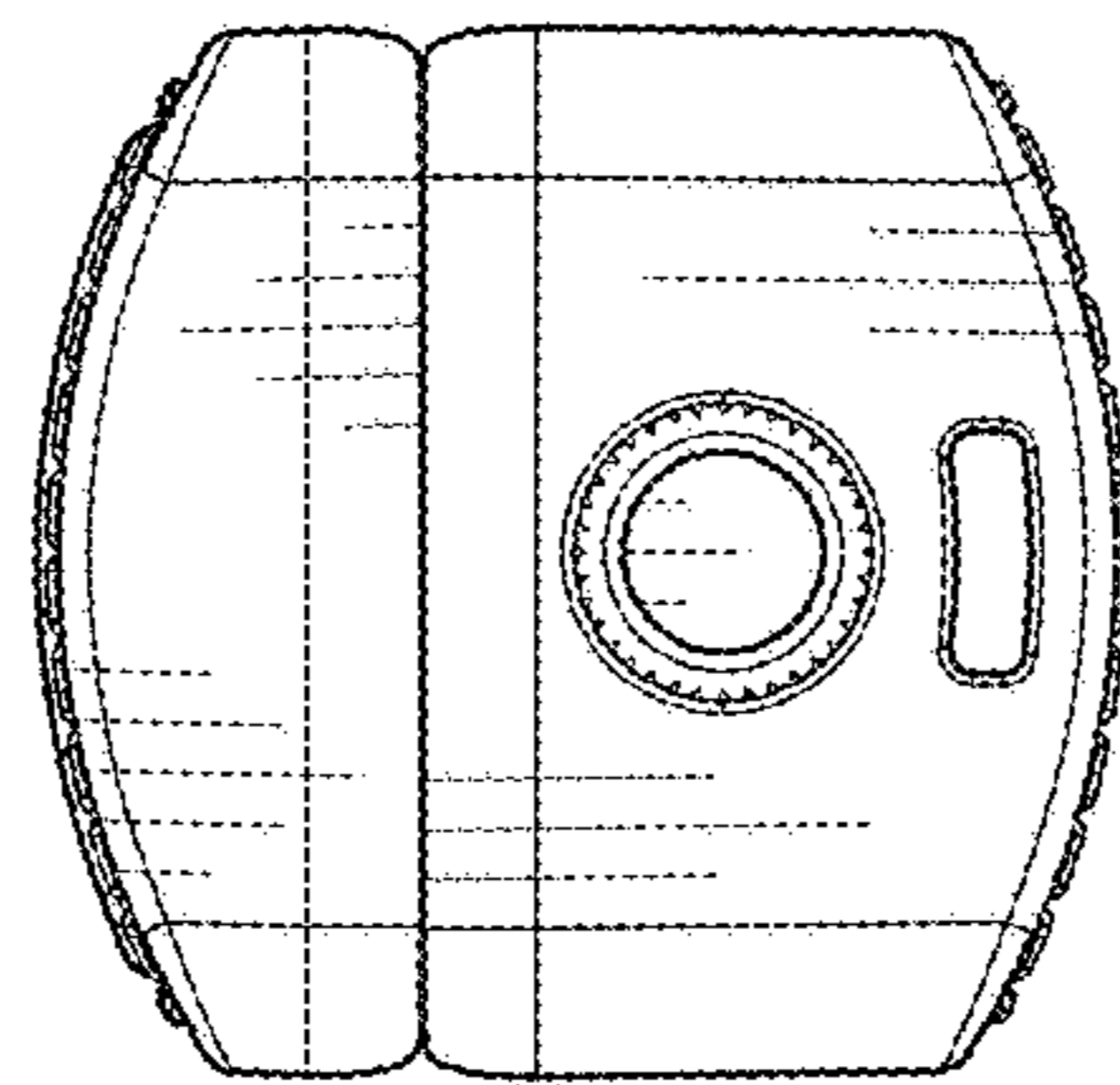


FIG. 2

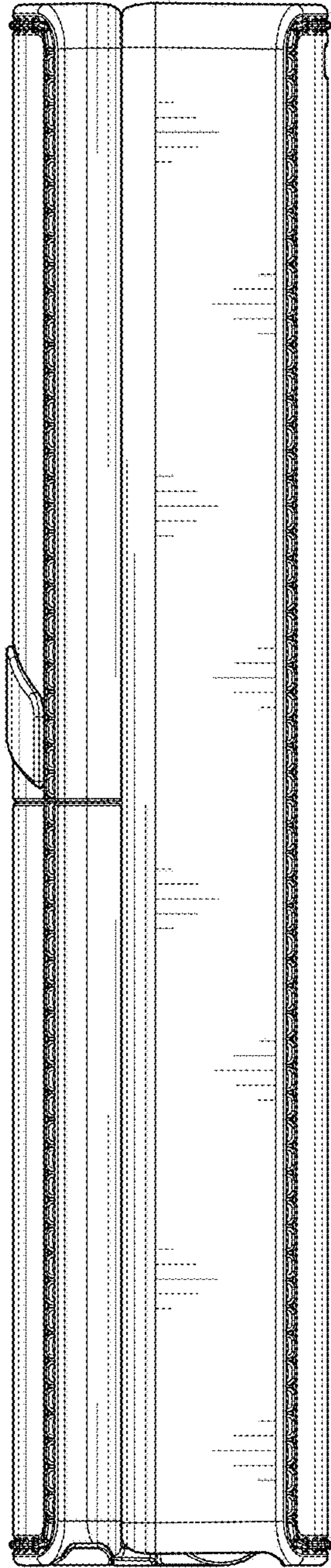


FIG. 4

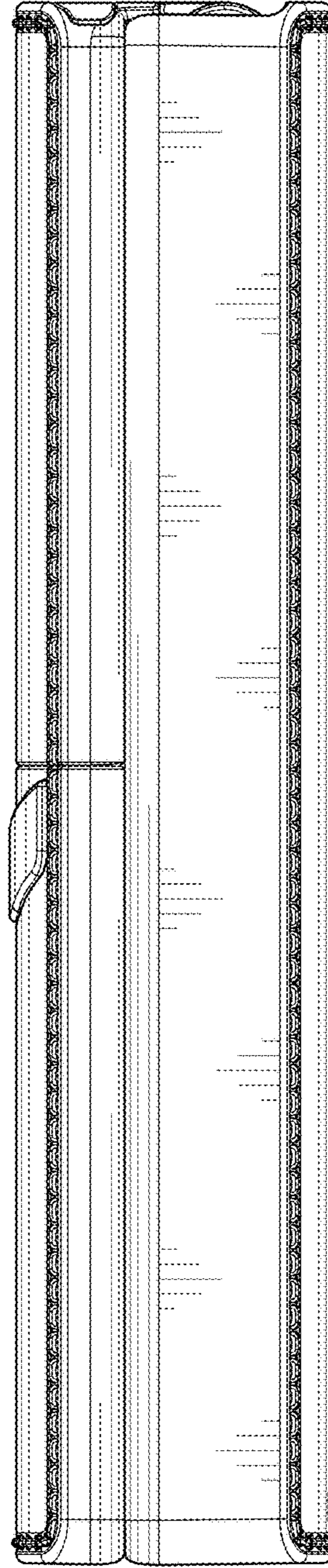


FIG. 5

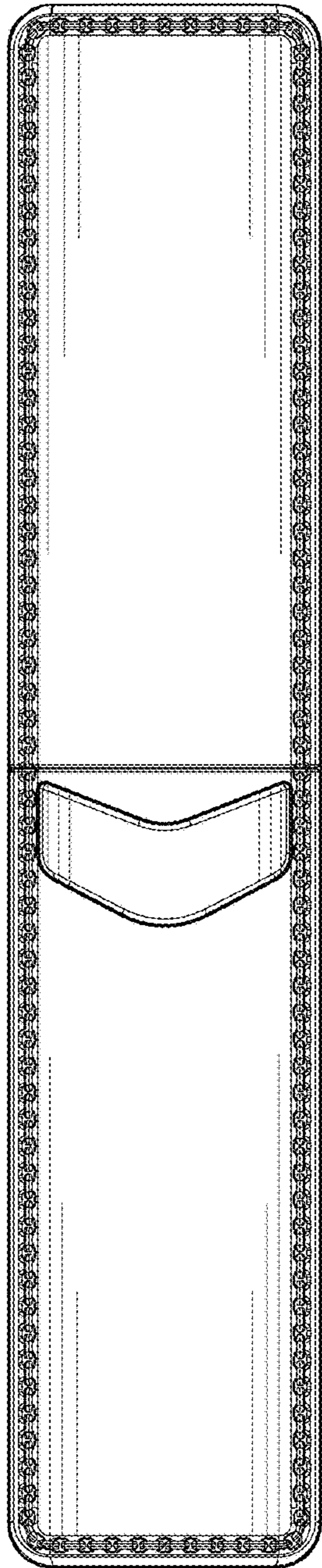


FIG. 6

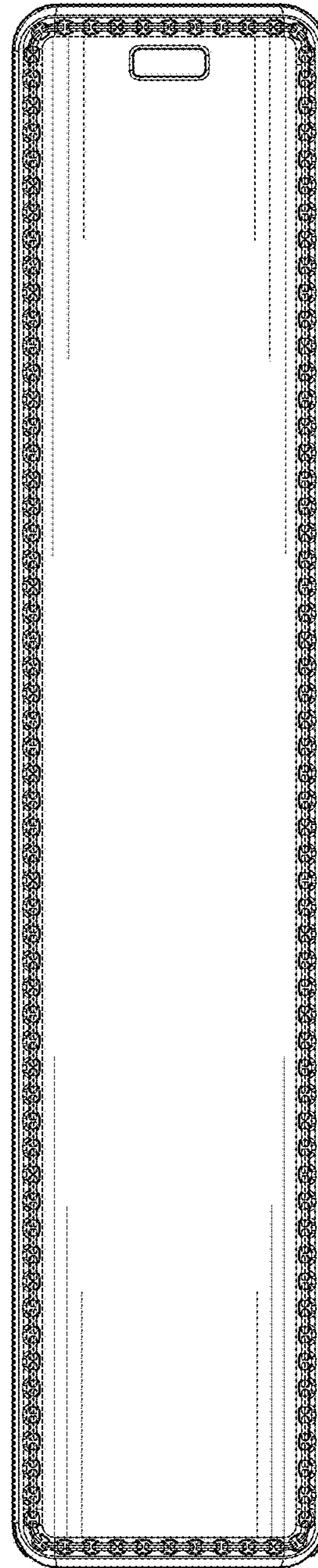


FIG. 7

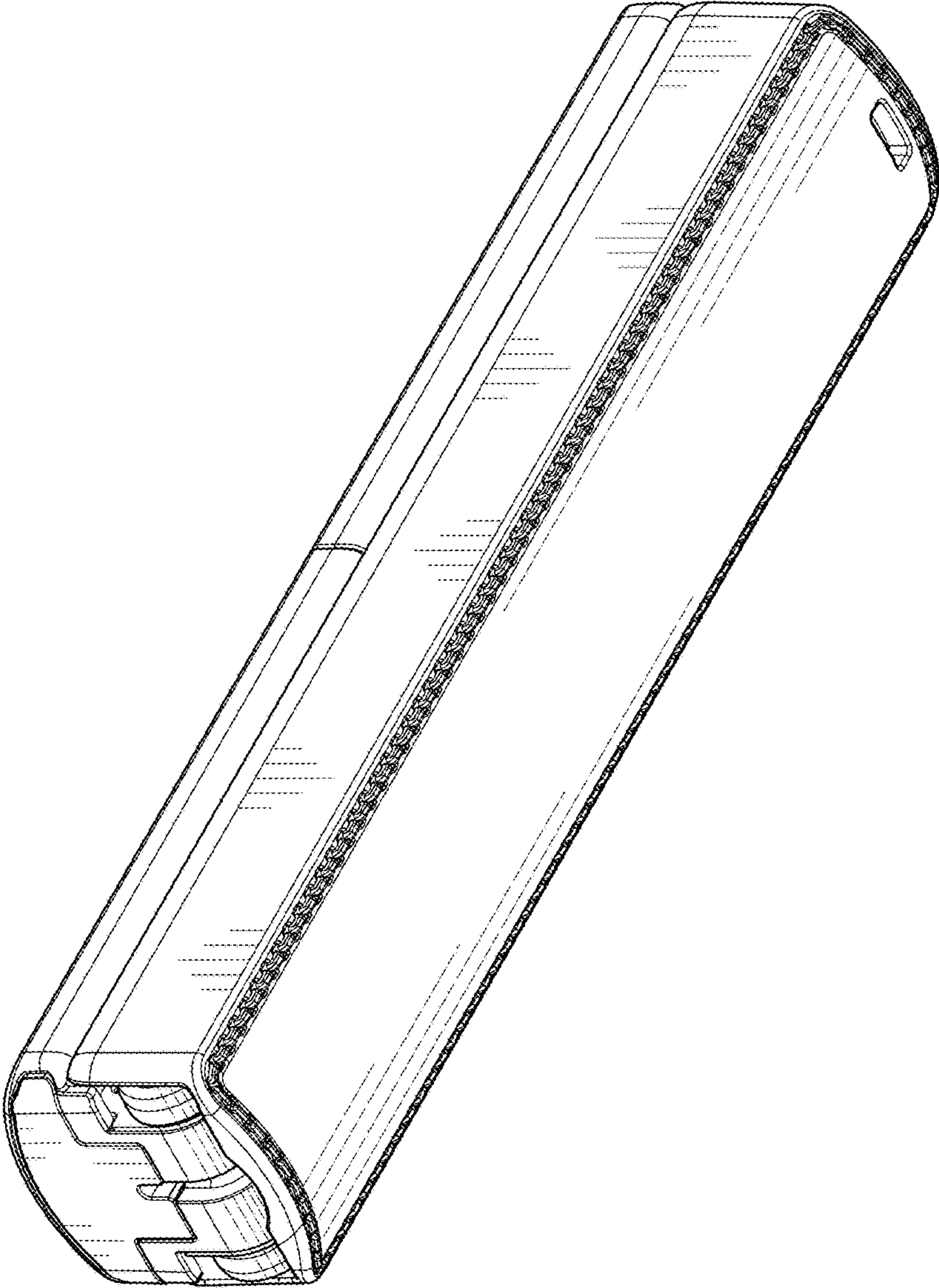


FIG. 8