



US00D851162S

(12) **United States Design Patent**
Bergman et al.

(10) **Patent No.:** **US D851,162 S**
(45) **Date of Patent:** **** Jun. 11, 2019**

(54) **CAMERA MOUNT**

- (71) Applicant: **GoPro, Inc.**, San Mateo, CA (US)
- (72) Inventors: **Senka Agic Bergman**, Montara, CA (US); **Kevin Drake**, Campbell, CA (US); **Joshua T. Druker**, Redwood City, CA (US); **Eric McCallister Bennett**, Foster City, CA (US)
- (73) Assignee: **GoPro, Inc.**, San Mateo, CA (US)
- (**) Term: **15 Years**
- (21) Appl. No.: **29/624,301**
- (22) Filed: **Oct. 31, 2017**
- (51) **LOC (11) Cl.** **16-05**
- (52) **U.S. Cl.**
USPC **D16/242**
- (58) **Field of Classification Search**
USPC D16/219, 237-250; D14/224, 229, 238, D14/251, 253, 447, 451, 457; D8/354, D8/355, 363, 373, 382, 383, 394, 395, D8/396, 397, 398
CPC .. A45F 5/00; A45F 5/10; F16M 11/06; F16M 11/07; F16M 11/08; F16M 11/09; F16M 11/10; G02B 7/00-7/002; G03B 17/56; G03B 17/561; G03B 17/563; G03B 17/565; G03B 17/566; G03B 17/568; H04N 5/2253-5/2254
See application file for complete search history.

(56) **References Cited**

U.S. PATENT DOCUMENTS

- 3,152,738 A * 10/1964 Worsfold, Jr. A45F 5/00
224/259
- 4,461,411 A * 7/1984 Harrow A45F 5/00
224/258
- 5,361,953 A * 11/1994 Nichols F41C 33/0227
224/192
- D409,079 S * 5/1999 Sobczynski D8/354

(Continued)

OTHER PUBLICATIONS

GoPro Chesty Performance Chest Mount Target. [online] Retrieved Oct. 23, 2018 from URL: <https://www.target.com/p/gopro-chesty-performance-chest-mount/-/A-53588460>.*

(Continued)

Primary Examiner — Vy N Koenig

(74) *Attorney, Agent, or Firm* — Young Basile Hanlon & MacFarlane, P.C.

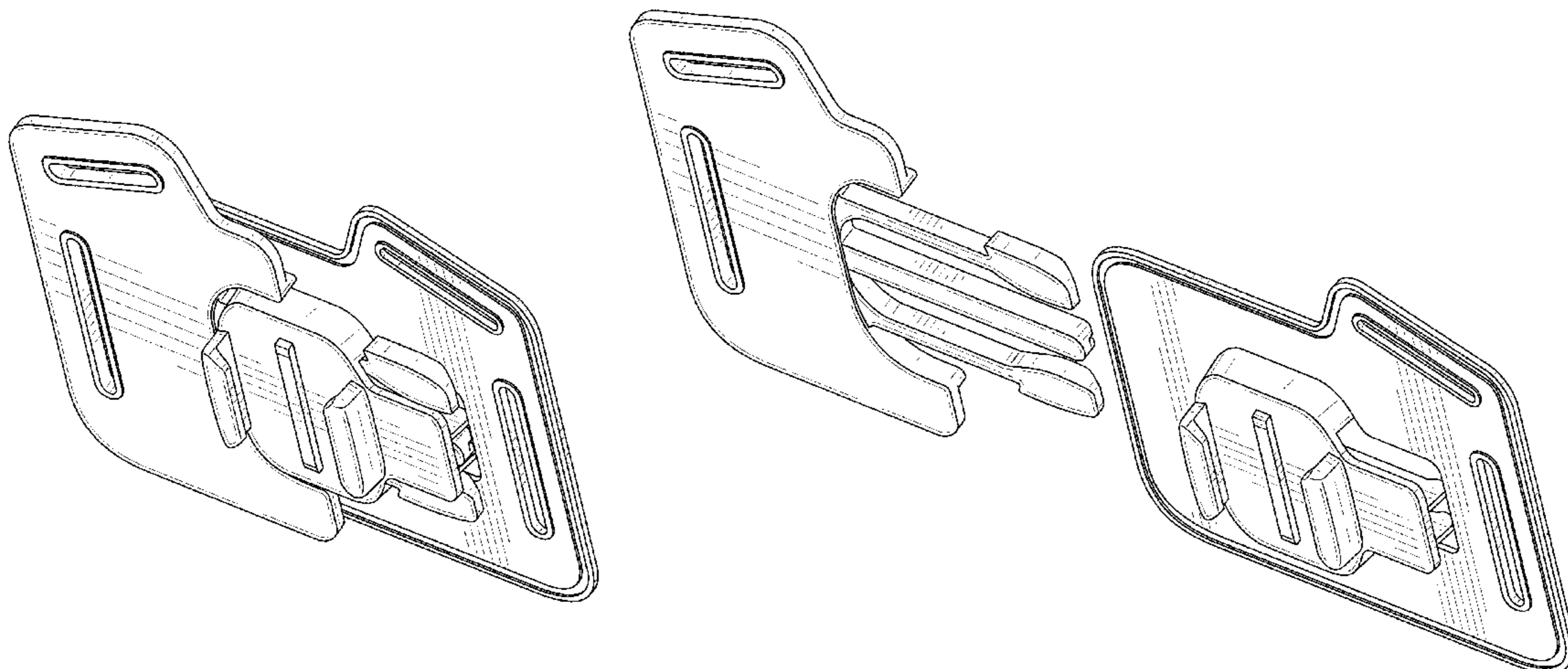
(57) **CLAIM**

The ornamental design for a camera mount, as shown and described.

DESCRIPTION

FIG. 1 is a top, front, left perspective view of a camera mount showing our new design in a first state.
 FIG. 2 is a top, front, left perspective view of the camera mount shown in FIG. 1 in a second state.
 FIG. 3 is a front elevation of the camera mount shown in FIG. 1 in the second state.
 FIG. 4 is a rear elevation view of the camera mount shown in FIG. 1 in the second state.
 FIG. 5 is a left elevation view of the camera mount shown in FIG. 1 in the second state.
 FIG. 6 is a right elevation view of the camera mount shown in FIG. 1 in the second state.
 FIG. 7 is a top plan view of the camera mount shown in FIG. 1 in the second state.
 FIG. 8 is a bottom plan view of the camera mount shown in FIG. 1 in the second state.
 FIG. 9 is an elevation view of the camera mount shown in FIG. 1 in the second state, taken from line 9-9 in FIG. 3; and, FIG. 10 is an elevation view of the camera mount shown in FIG. 1 in the second state, taken from the line 10-10 in FIG. 3.

1 Claim, 7 Drawing Sheets



(56)

References Cited

U.S. PATENT DOCUMENTS

6,983,870 B2 * 1/2006 Hancock A45F 3/14
 224/258
 D569,306 S * 5/2008 Taylor D11/200
 7,980,771 B2 * 7/2011 Chamberlayne A45F 3/14
 396/423
 D673,994 S * 1/2013 Geller D16/243
 D683,384 S * 5/2013 Swaggart D16/243
 8,708,583 B2 * 4/2014 Chamberlayne F16M 11/041
 396/423
 D757,844 S * 5/2016 Swaggart D16/237
 D768,757 S * 10/2016 Thomas D16/243
 D772,969 S * 11/2016 Druker D16/242
 D794,110 S * 8/2017 Swaggart D16/237
 D800,823 S * 10/2017 Druker D16/242
 D806,779 S * 1/2018 Martin D16/243
 D810,181 S * 2/2018 Szarawarski D16/243
 2004/0211799 A1 * 10/2004 Loughman F16M 13/04
 224/262
 2014/0140686 A1 * 5/2014 Weihe G03B 17/561
 396/428
 2016/0363838 A1 * 12/2016 Nguyen G03B 17/561

OTHER PUBLICATIONS

Aodoor Adjustable Elastic Body Shoulder Chest Mount Harness
 Strap. [online] Published on Aug. 19, 2016. Retrieved Oct. 15, 2018
 from URL: <https://procamerasupply.com/product/aodoor-adjustable-elastic-body-shoulder-chest-mount-harness-strap-belt-for-gopro-hero-1-2-3-3-4-sports-camera-sjcam-sj4000-5j5000-5j5000-j-hook-mount-thu>.*

GoPro Chesty—Camera Chest Harness/Mount URL: <https://shop.gopro.com/mounts/chesty-chest-harness/GCHM30-001.html> Retrieved
 Nov. 7, 2017 (5 pages).

AKA-CMH1 Chest Mount Harness for Action Cam URL: <https://sony.com/electronics/actioncam-mounting-accessories/aka-cmh1>
 Retrieved Nov. 7, 2017 (6 pages).

* cited by examiner

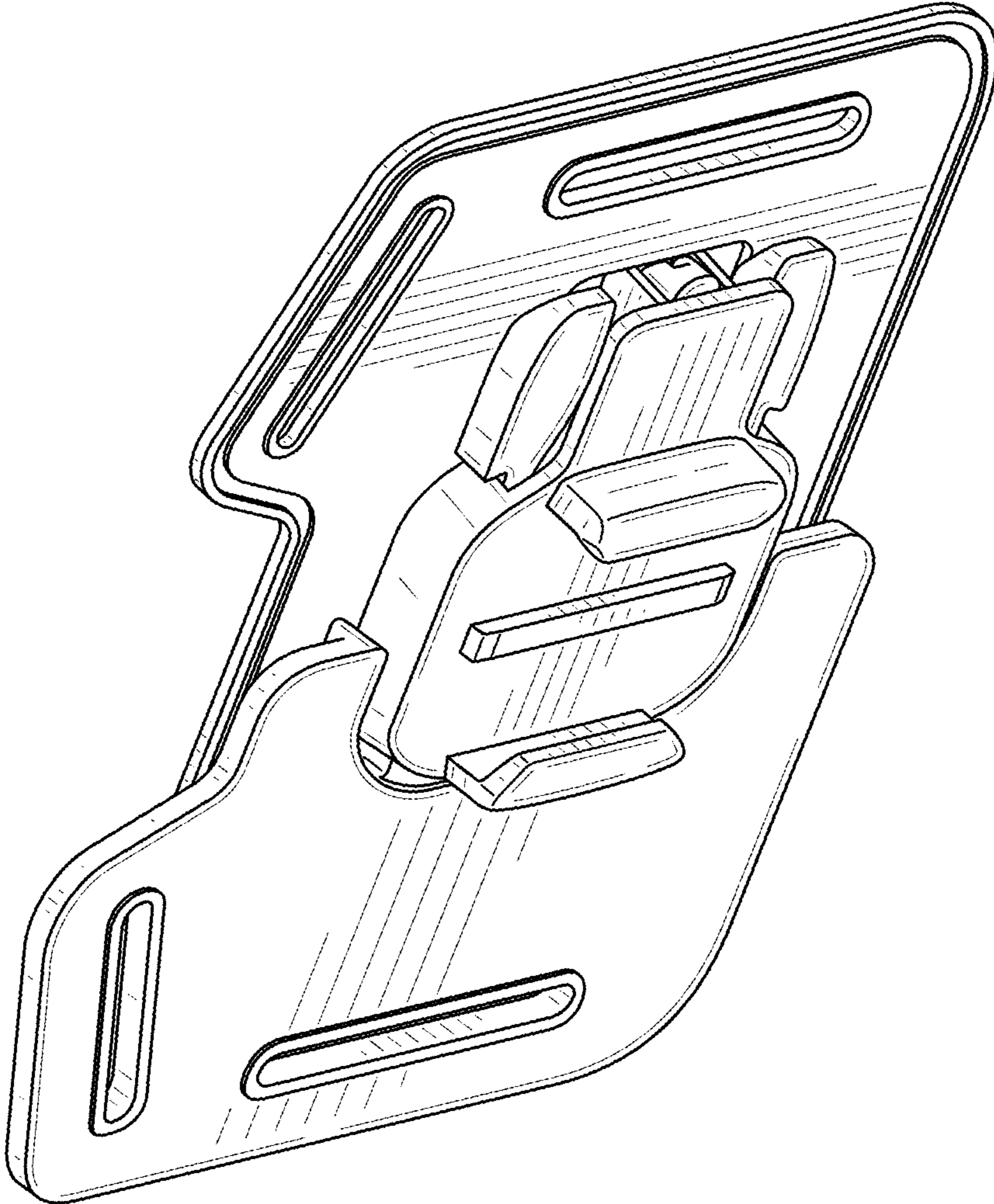


FIG. 1

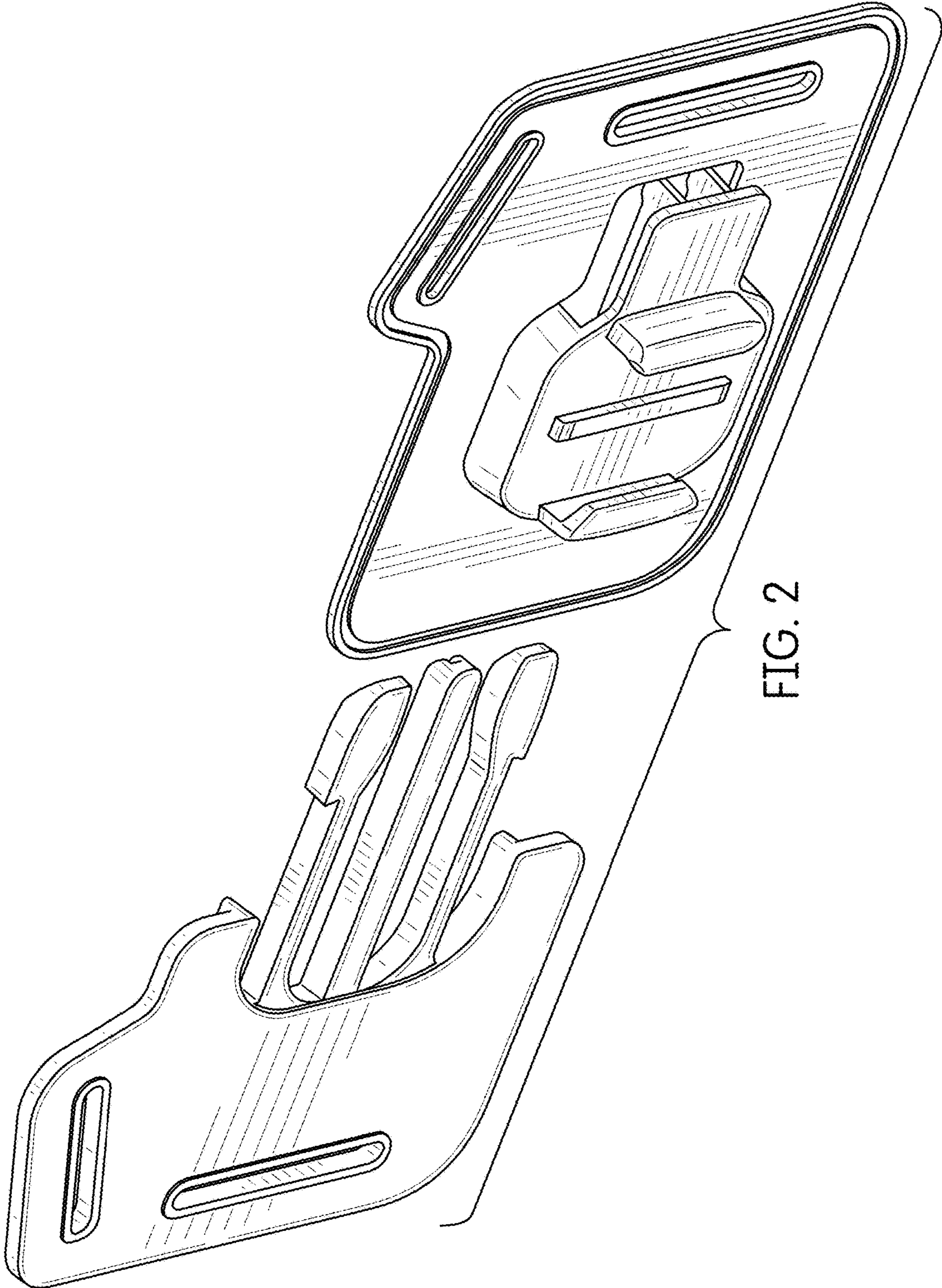


FIG. 2

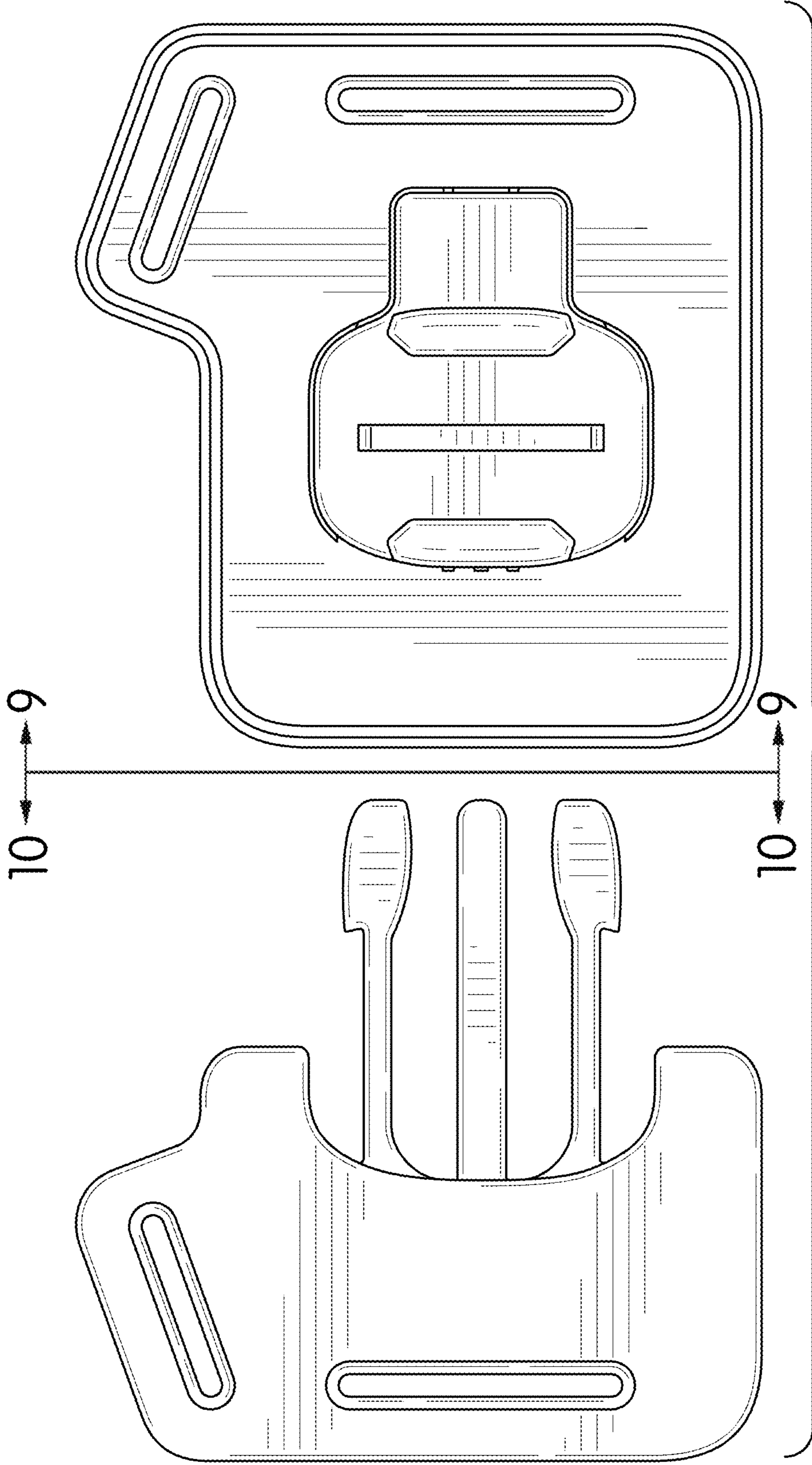


FIG. 3

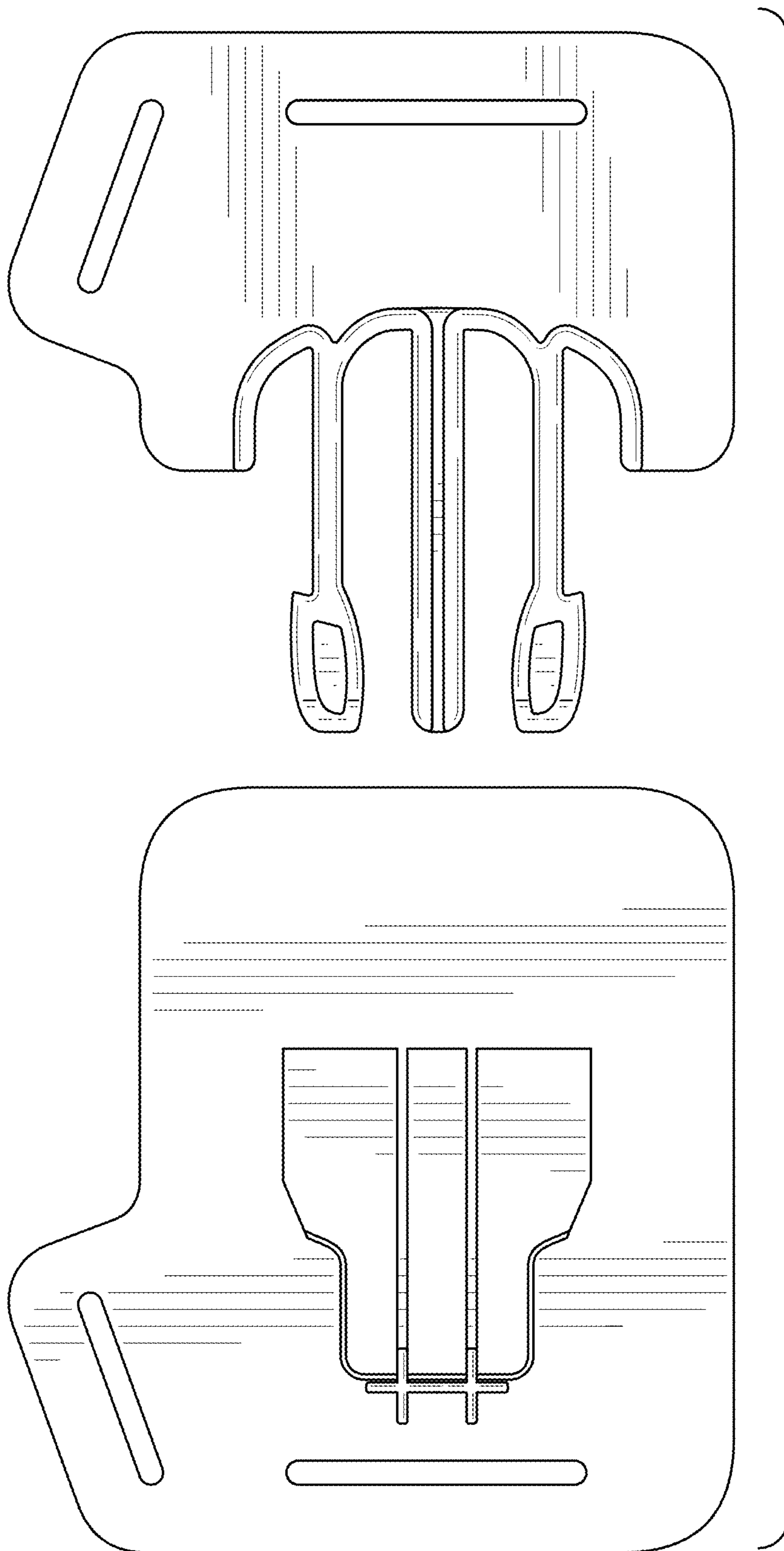


FIG. 4

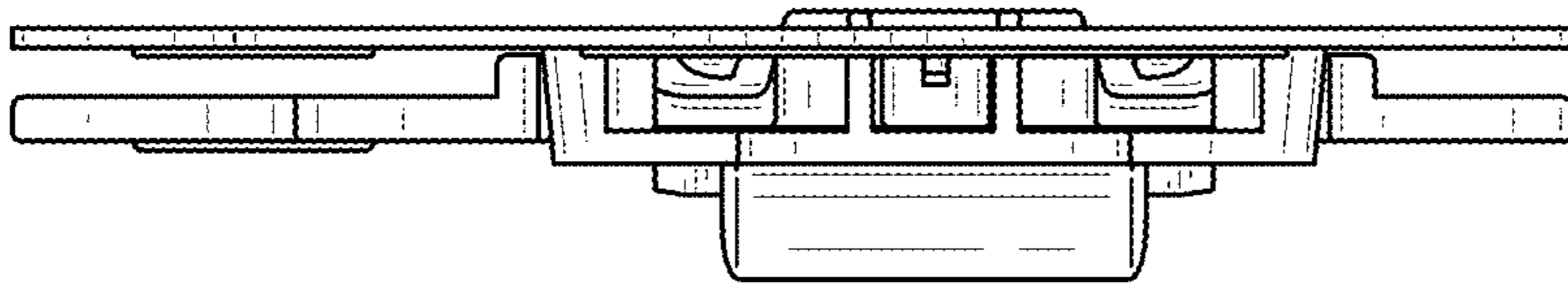


FIG. 6

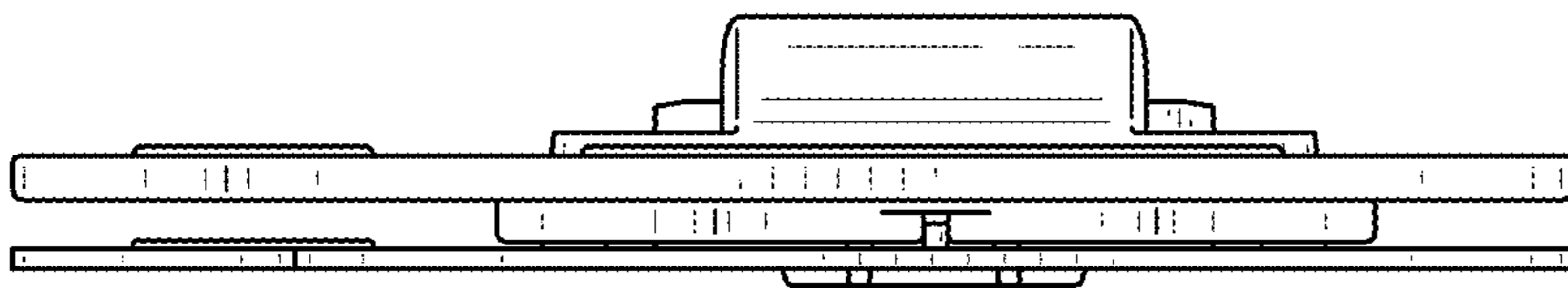


FIG. 5

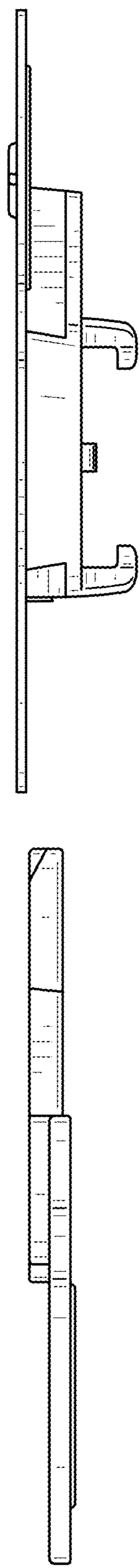


FIG. 7

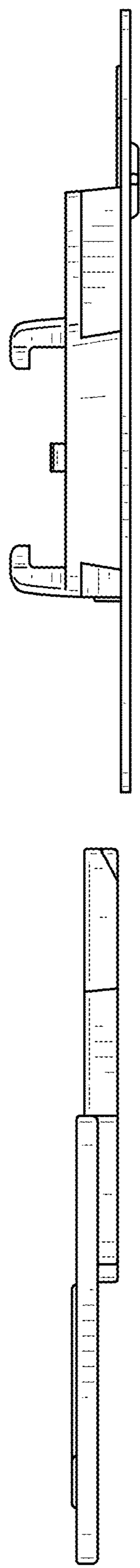


FIG. 8



FIG. 10

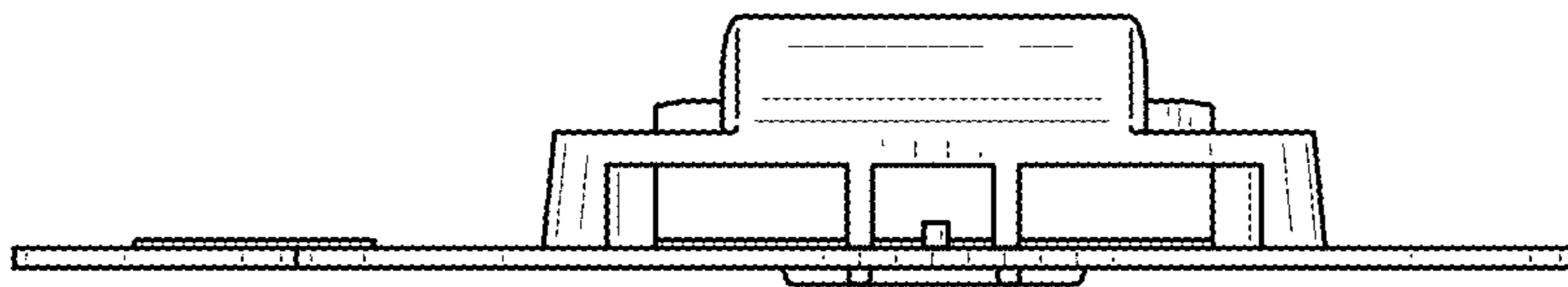


FIG. 9