



US00D851161S

(12) **United States Design Patent** (10) **Patent No.:** **US D851,161 S**
DiCarlo et al. (45) **Date of Patent:** **** Jun. 11, 2019**

- (54) **MOUNTING SHOE APPARATUS**
- (71) Applicant: **Robert J. McCreight, Jr.**, San Antonio, TX (US)
- (72) Inventors: **Joseph A. DiCarlo**, Chester, NH (US); **Robert J. McCreight, Jr.**, San Antonio, TX (US)
- (73) Assignee: **KNIGHTVISION, LLLP**, Titusville, FL (US)
- (**) Term: **15 Years**
- (21) Appl. No.: **29/569,503**
- (22) Filed: **Jun. 28, 2016**

5,339,464 A	8/1994	Dor	
5,388,359 A	2/1995	DeWitt	
D358,830 S	5/1995	Dor	
D361,368 S *	8/1995	Sugai	D22/134
5,707,036 A	1/1998	Dunbar	
5,914,816 A	6/1999	Soto et al.	
6,019,329 A	2/2000	Edelstein	
6,196,504 B1	3/2001	Lemke	
6,457,179 B1	10/2002	Prendergast	
6,472,776 B1	10/2002	Soto et al.	
D483,650 S	12/2003	Squillante et al.	
D483,789 S *	12/2003	Dordick	D16/242
6,751,810 B1	6/2004	Prendergast	
6,773,172 B1	8/2004	Johnson et al.	
6,779,288 B1	8/2004	Kim	
6,811,348 B1	11/2004	Meyer et al.	

(Continued)

Related U.S. Application Data

- (63) Continuation of application No. 15/161,550, filed on May 23, 2016, now Pat. No. 9,958,667.
- (51) **LOC (11) Cl.** **16-05**
- (52) **U.S. Cl.**
USPC **D16/242; D16/130**
- (58) **Field of Classification Search**
USPC D16/130, 134, 136, 219, 235, 237, 242, D16/245
CPC G02B 23/16; G02B 21/362; G02B 21/364
See application file for complete search history.

References Cited

U.S. PATENT DOCUMENTS

3,628,761 A	12/1971	Thomas, Jr.	
4,449,787 A	5/1984	Burbo et al.	
4,570,887 A	2/1986	Banister	248/187
4,899,479 A	2/1990	Sanders	
4,929,973 A	5/1990	Nakatani	
D315,164 S *	3/1991	Ryder	D16/130
5,236,169 A	8/1993	Johnsen	
5,307,204 A	4/1994	Dor	
5,331,459 A	7/1994	Dor	

OTHER PUBLICATIONS

Office Action issued in corresponding U.S. Appl. No. 15/161,550, dated Sep. 2017, 21 pgs.

Primary Examiner — Holly E Thurman

(74) *Attorney, Agent, or Firm* — Hayes Soloway P.C.

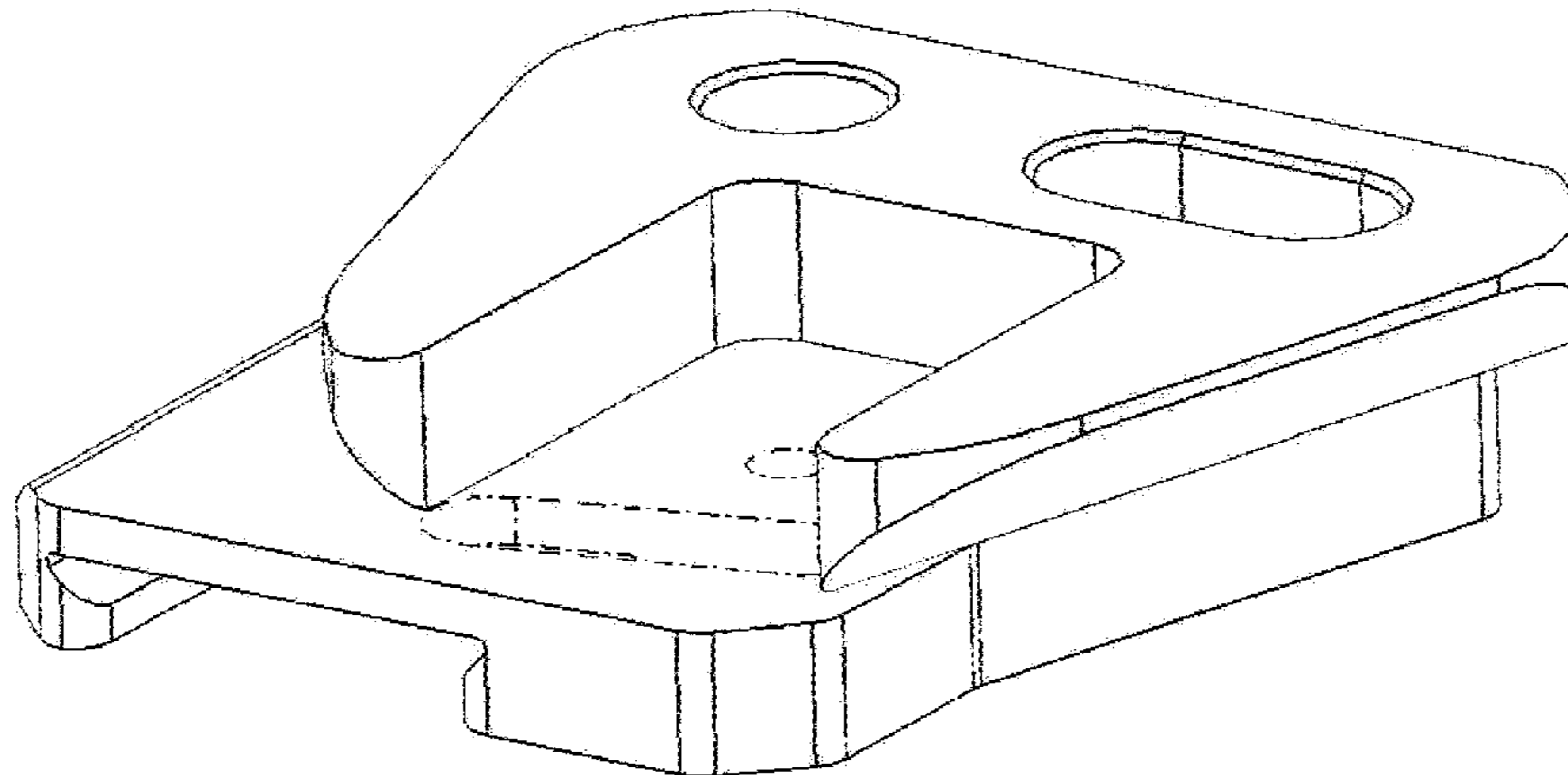
(57) **CLAIM**

We claim the ornamental design for a mounting shoe apparatus, as shown and described.

DESCRIPTION

FIG. 1 is an upper perspective view of a mounting shoe apparatus showing our new design;
 FIG. 2 is a bottom view thereof;
 FIG. 3 is a top view thereof;
 FIG. 4 is a front view thereof;
 FIG. 5 is a first side view thereof;
 FIG. 6 is a second side view thereof; and,
 FIG. 7 is a rear view thereof.
 Portions of the drawings shown in broken lines form are not part of the claimed design.

1 Claim, 7 Drawing Sheets



(56)

References Cited

U.S. PATENT DOCUMENTS

6,862,748 B2	3/2005	Prendergast	8,375,473 B2	2/2013	Celona et al.
6,938,276 B1	9/2005	Prendergast	8,397,423 B2	3/2013	Robinson
6,957,449 B2	10/2005	Prendergast	8,490,316 B2	7/2013	Kincel et al.
6,986,162 B2	1/2006	Soto et al.	8,531,592 B2	9/2013	Teetzel et al.
7,117,624 B2	10/2006	Kim	8,561,518 B2	10/2013	Teetzel et al.
7,219,370 B1	5/2007	Teetzel et al.	8,661,571 B1	3/2014	Teetzel et al.
7,302,808 B1	12/2007	Teetzel et al.	8,739,313 B2	6/2014	Teetzel et al.
7,418,738 B2	9/2008	Prendergast	8,800,194 B2	8/2014	Teetzel et al.
7,444,683 B2	11/2008	Prendergast et al.	8,826,463 B2	9/2014	Teetzel et al.
7,504,918 B2	3/2009	Prendergast et al.	8,857,097 B2	10/2014	Rorick
D591,325 S *	4/2009	Dordick D16/242	8,935,872 B2	1/2015	Collin et al.
7,520,083 B2	4/2009	Dextraze	9,121,544 B2	9/2015	DiCarlo
7,647,927 B2	1/2010	Teetzel et al.	9,129,544 B2	9/2015	Saitoh et al. G09G 5/00
7,649,701 B2	1/2010	Prendergast et al.	D741,940 S *	10/2015	Kessler D16/242
7,658,556 B2	2/2010	Johnson	9,249,923 B2	2/2016	DiCarlo
7,685,759 B2	3/2010	Teetzel	D768,755 S *	10/2016	Thomas D16/242
7,694,450 B2	4/2010	Keng	9,696,611 B2	7/2017	Johnson, Sr. G03B 17/561
7,712,241 B2	5/2010	Teetzel et al.	D798,369 S *	9/2017	Nakajima D16/245
7,735,159 B2	6/2010	Prendergast	D798,370 S *	9/2017	Nakajima D16/245
7,765,730 B2	8/2010	Keng	D798,939 S *	10/2017	Costa D16/242
7,797,875 B1	9/2010	Carrier et al.	D798,940 S *	10/2017	Costa D16/242
7,802,392 B2	9/2010	Peterson et al.	D823,928 S *	7/2018	Hatcher D16/242
7,814,698 B2	10/2010	Fluhr et al.	D824,990 S *	8/2018	Greenthal D16/242
7,819,547 B1	10/2010	Teetzel et al.	2005/0241206 A1	11/2005	Teetzel et al.
7,823,316 B2	11/2010	Storch et al.	2007/0214551 A1	9/2007	Teetzel et al.
7,841,120 B2	11/2010	Teetzel et al.	2008/0107414 A1	5/2008	Showalter 396/429
7,866,083 B2	1/2011	Teetzel	2008/0134562 A1	6/2008	Teetzel
7,996,917 B2	8/2011	Prendergast	2008/0168696 A1	7/2008	Orne et al.
3,011,629 A1	9/2011	Herskovic	2008/0170838 A1	7/2008	Teetzel et al.
8,020,335 B2	9/2011	Larsson et al.	2009/0135505 A1	5/2009	Wiley
8,047,118 B1	11/2011	Teetzel et al.	2010/0224193 A1	9/2010	Teetzel et al.
8,091,265 B1	1/2012	Teetzel et al.	2010/0299814 A1	12/2010	Celona et al.
8,100,044 B1	1/2012	Teetzel et al.	2011/0145981 A1	6/2011	Teetzel et al.
8,112,933 B1	2/2012	Swan	2011/0239354 A1	10/2011	Celona et al.
8,113,198 B2	2/2012	Teetzel et al.	2012/0006719 A1	1/2012	Celona et al.
D656,533 S *	3/2012	Dordick D16/242	2012/0043381 A1	2/2012	Teetzel et al.
8,209,780 B1	7/2012	Lemire	2012/0138059 A1	6/2012	Teetzel et al.
8,220,664 B1	7/2012	Teetzel et al.	2012/0145864 A1	6/2012	Vogt 248/316.2
8,220,946 B1	7/2012	Teetzel	2013/0083391 A1	4/2013	Teetzel et al.
8,230,636 B1	7/2012	Swan	2013/0086722 A1	4/2013	Teetzel et al.
8,238,045 B2	8/2012	Prendergast et al.	2013/0318852 A1	12/2013	Teetzel et al.
8,239,971 B2	8/2012	Prendergast	2014/0237708 A1	8/2014	DiCarlo
8,297,173 B1	10/2012	Teetzel et al.	2014/0239146 A1	8/2014	DiCarlo
8,305,685 B2	11/2012	Heine et al.	2014/0245523 A1	9/2014	Teetzel et al.
8,336,246 B1	12/2012	Barber	2014/0345181 A1	11/2014	Teetzel et al.
8,337,036 B2	12/2012	Soto et al.	2015/0253563 A1	9/2015	DiCarlo
			2016/0369942 A1	12/2016	DiCarlo et al. F16M 13/02
			2017/0248389 A1	8/2017	DiCarlo et al. F41G 11/003

* cited by examiner

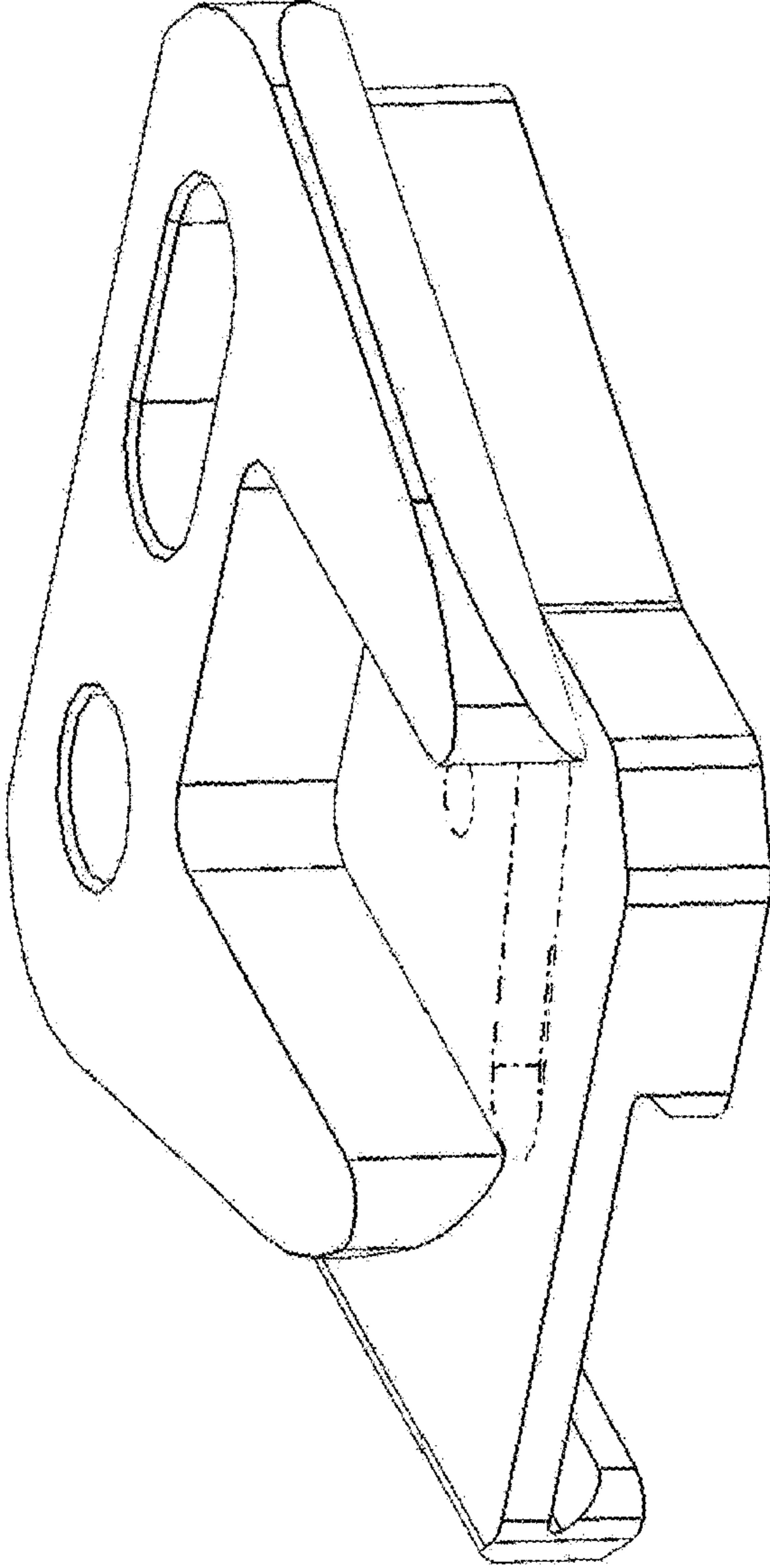


FIG. 1

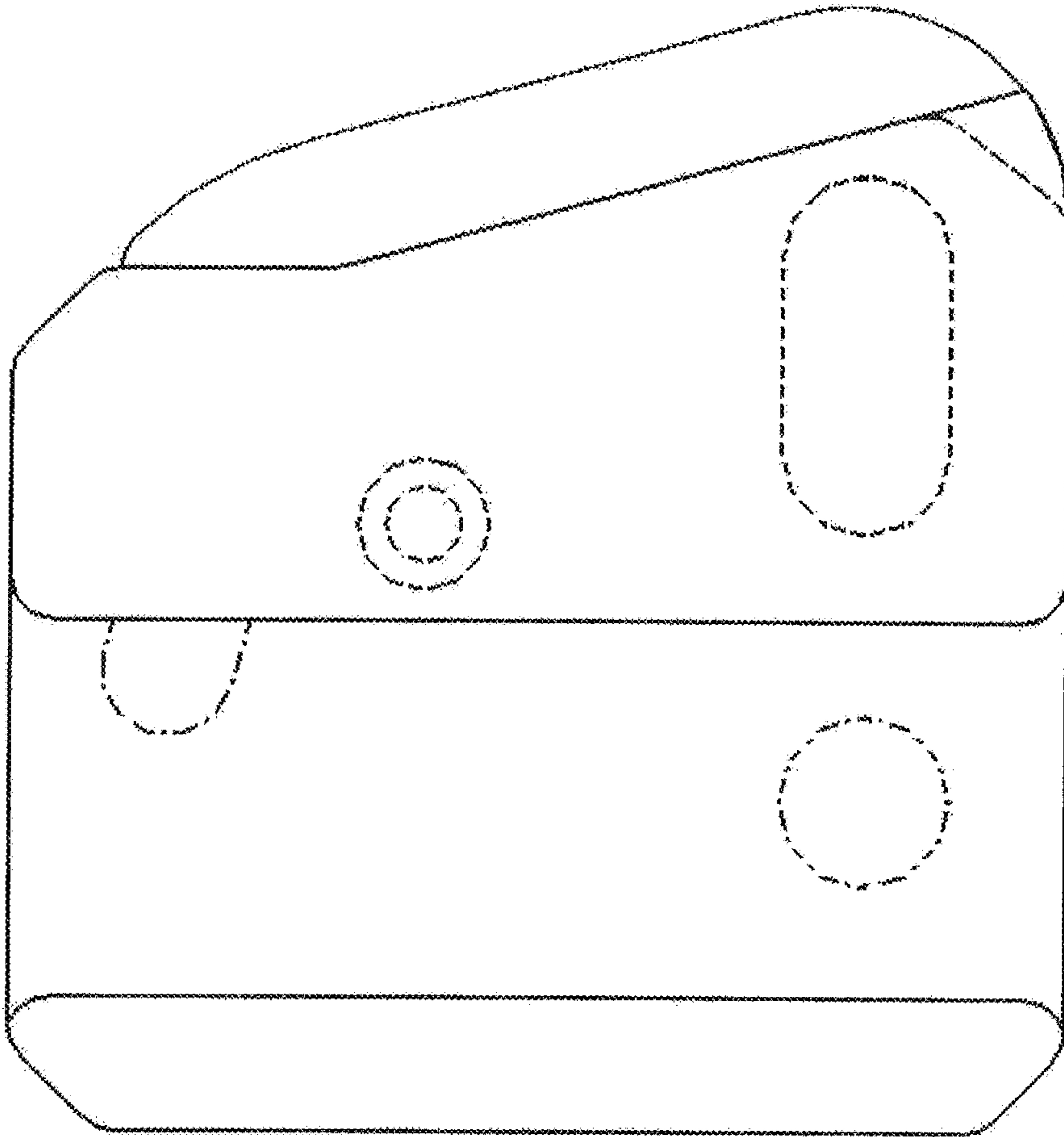


FIG. 2

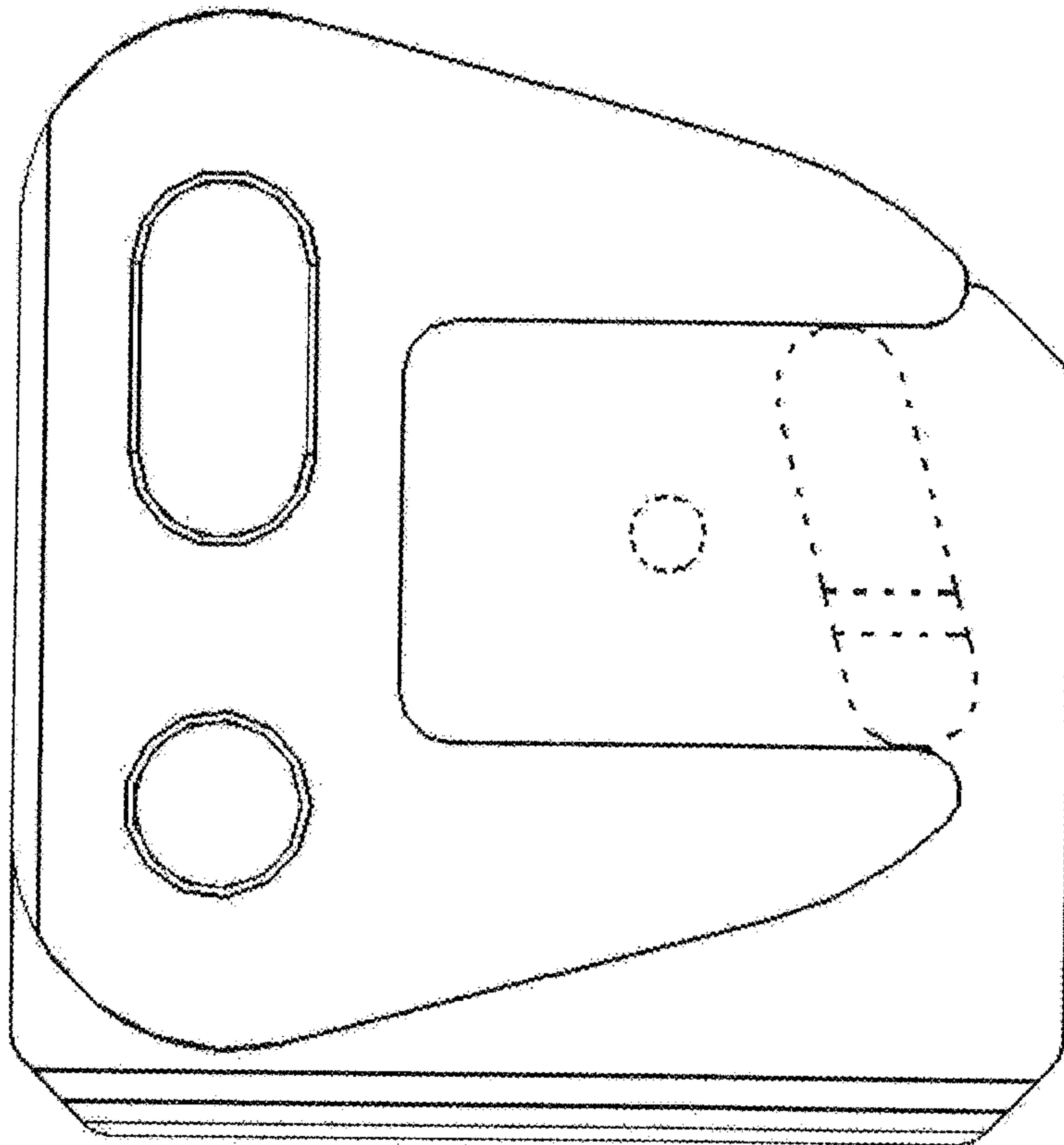


FIG. 3

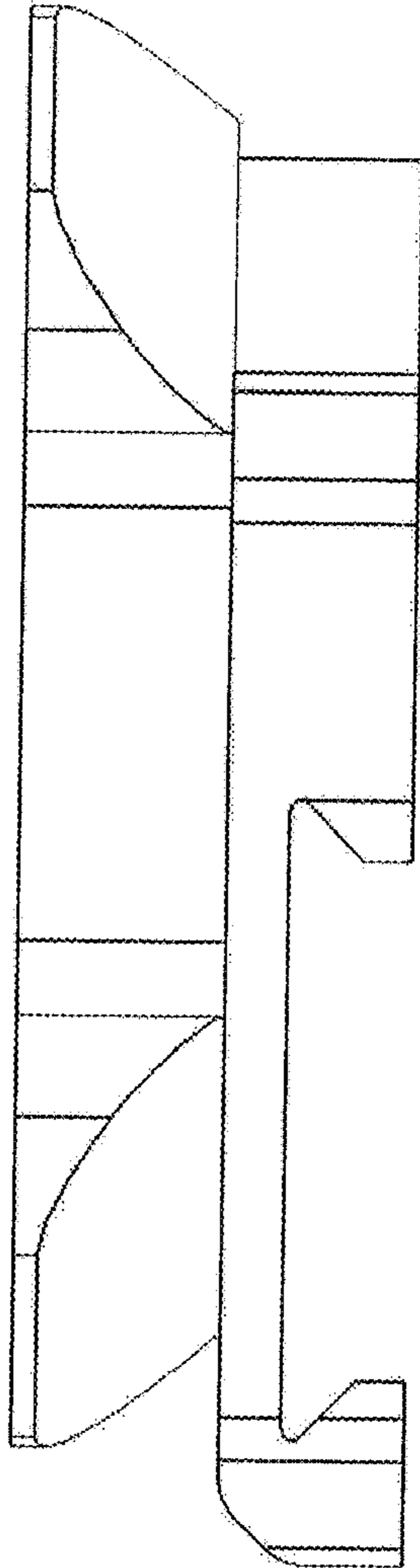


FIG. 4

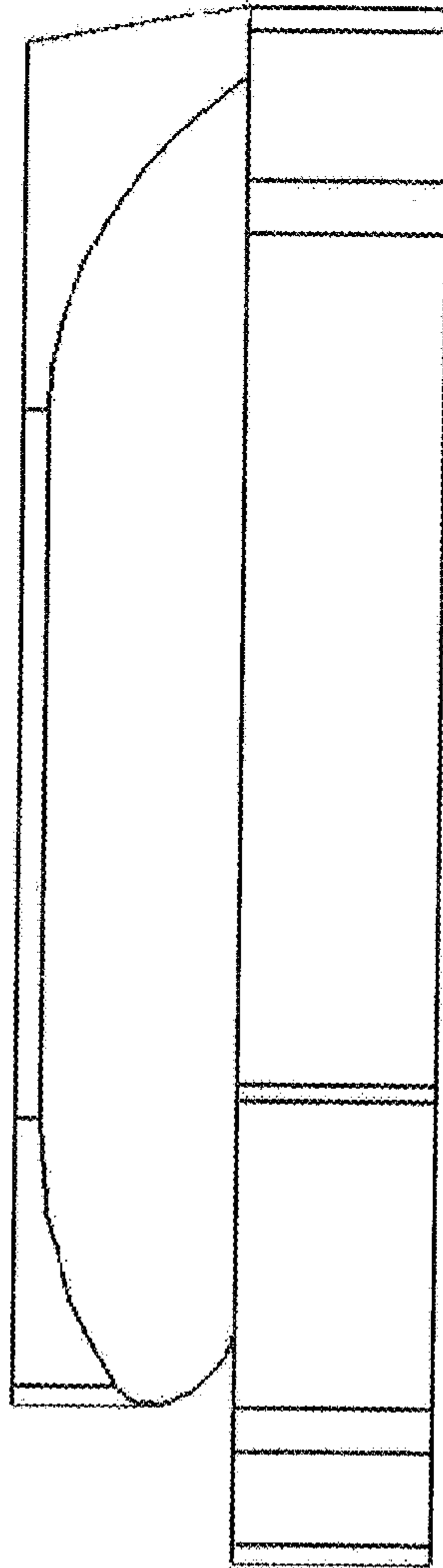


FIG. 5

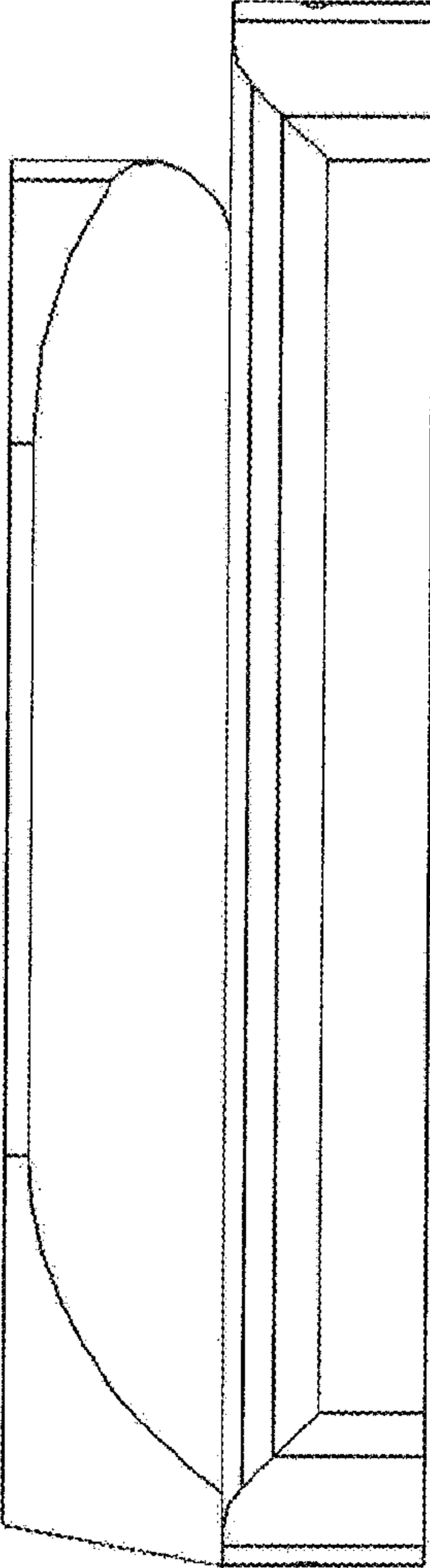


FIG. 6

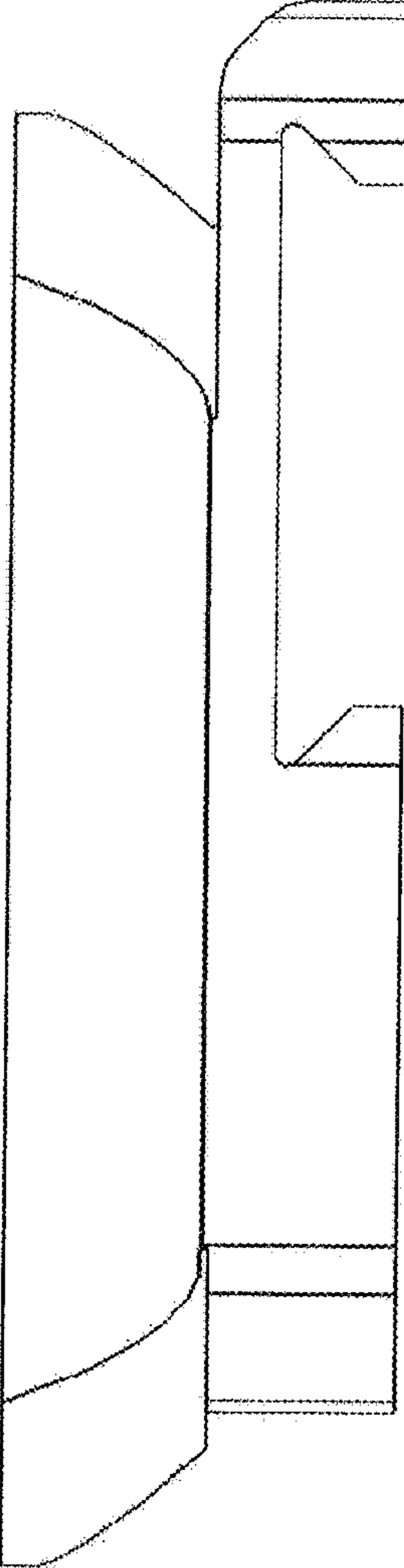


FIG. 7

UNITED STATES PATENT AND TRADEMARK OFFICE
CERTIFICATE OF CORRECTION

PATENT NO. : D851,161 S
APPLICATION NO. : 29/569503
DATED : June 11, 2019
INVENTOR(S) : DiCarlo et al.

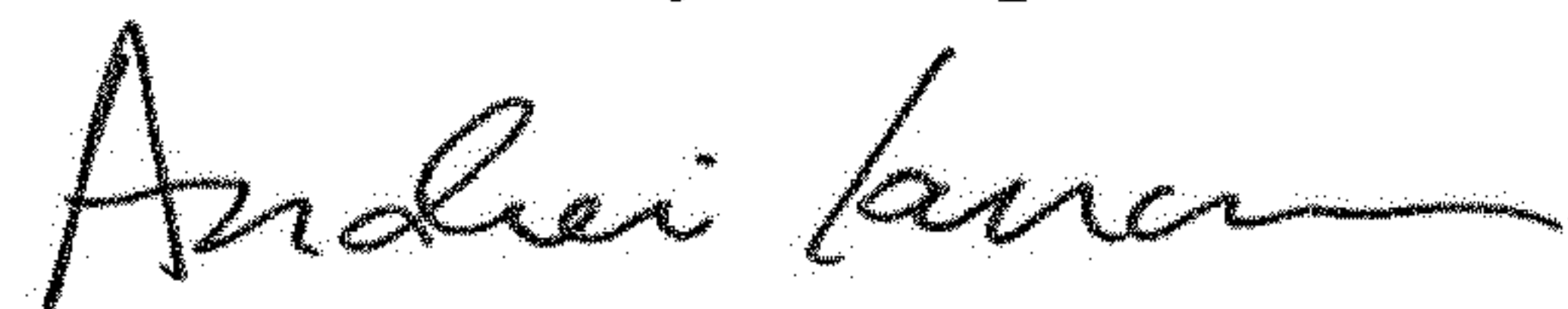
Page 1 of 1

It is certified that error appears in the above-identified patent and that said Letters Patent is hereby corrected as shown below:

On the Title Page

Page 2 at item (56), References Cited, U.S. PATENT DOCUMENTS, Column 1, Line 29,
"3,011,629" should be --8,011,629--.

Signed and Sealed this
Seventeenth Day of September, 2019



Andrei Iancu
Director of the United States Patent and Trademark Office