



US00D851160S

(12) **United States Design Patent**
Rassadin

(10) **Patent No.:** **US D851,160 S**
(45) **Date of Patent:** **** Jun. 11, 2019**

(54) **VIDEO PROJECTOR**

- (71) Applicant: **“Multicubic” LLC**, Moscow (RU)
- (72) Inventor: **Yaroslav A. Rassadin**, Ulyanovsk (RU)
- (73) Assignee: **“Multicubic” LLC**, Moscow (RU)
- (**) Term: **15 Years**
- (21) Appl. No.: **29/636,448**
- (22) Filed: **Feb. 8, 2018**

(30) **Foreign Application Priority Data**

Aug. 9, 2017 (RU) 2017503866

(51) **LOC (11) Cl.** **16-02**

(52) **U.S. Cl.**
USPC **D16/230**

(58) **Field of Classification Search**
USPC D16/221, 225, 230–231, 234, 208;
D21/514; D14/506, 508–509, 125,
D14/128–129, 168, 172, 188
CPC G03B 21/145; G03B 21/142; G03B 21/14;
G03B 21/12; G03B 21/003; G03B 21/00
See application file for complete search history.

(56) **References Cited**

U.S. PATENT DOCUMENTS

D513,030 S	*	12/2005	Schoenert	D16/221
D514,611 S	*	2/2006	Schoenert	D16/221
D555,184 S	*	11/2007	Rodriguez, Jr.	D16/225
D629,827 S	*	12/2010	Morenstein	D16/221
D813,933 S	*	3/2018	Bukhovtsev	D16/230
D817,381 S	*	5/2018	Zhong	D16/230

FOREIGN PATENT DOCUMENTS

CN	304400843	*	4/2017
CN	304483239	*	9/2017
RU	77878		3/2011
RU	99234		8/2016

* cited by examiner

Primary Examiner — Wan Laymon

(74) *Attorney, Agent, or Firm* — Patentbar International, P.C.

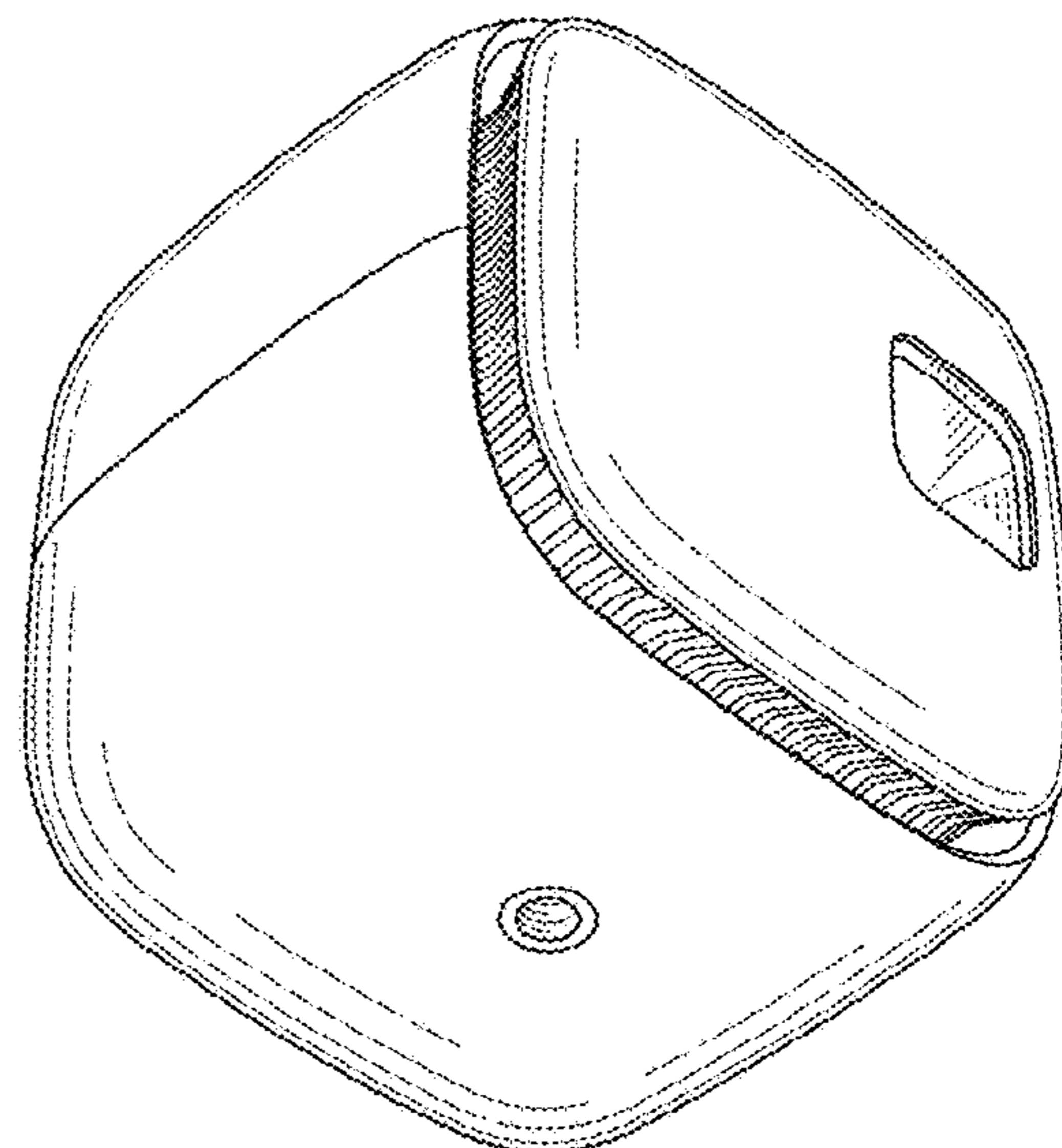
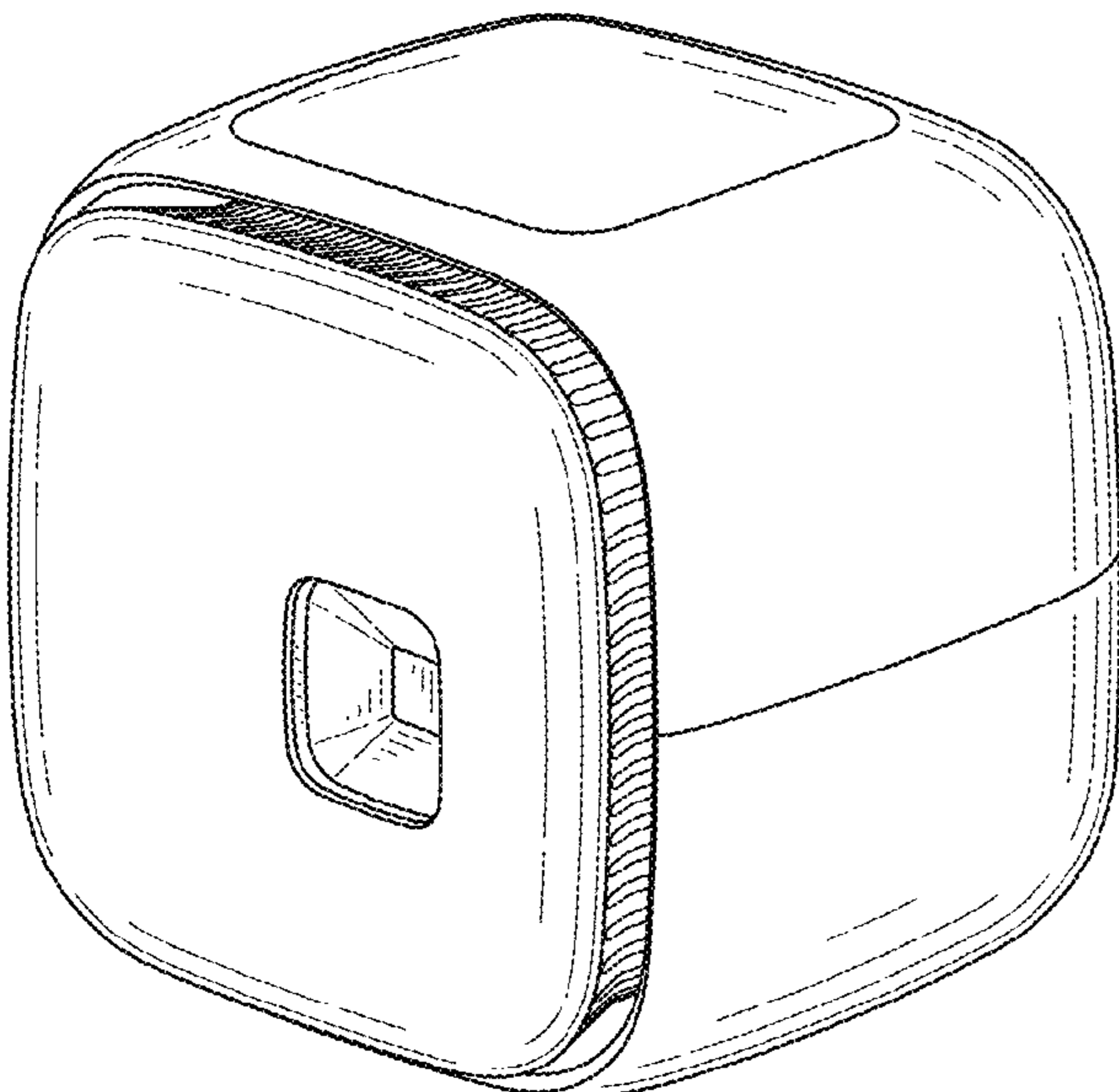
(57) **CLAIM**

The ornamental design for a video projector, as shown and described.

DESCRIPTION

FIG. 1 is a front left perspective view of a video projector, showing my new design;
FIG. 2 is a bottom right perspective view of a video projector;
FIG. 3 is a front view of a video projector;
FIG. 4 is a back view of of a video projector;
FIG. 5 is a left view of a video projector;
FIG. 6 is a right view of a video projector;
FIG. 7 is a top view of a video projector;
FIG. 8 is a bottom view of a video projector; and,
FIG. 9 is a front right perspective view of a video projector. The broken line shown in FIG. 8 is included for the purpose of illustrating portions of the video projector and forms no part of the claimed design.

1 Claim, 3 Drawing Sheets



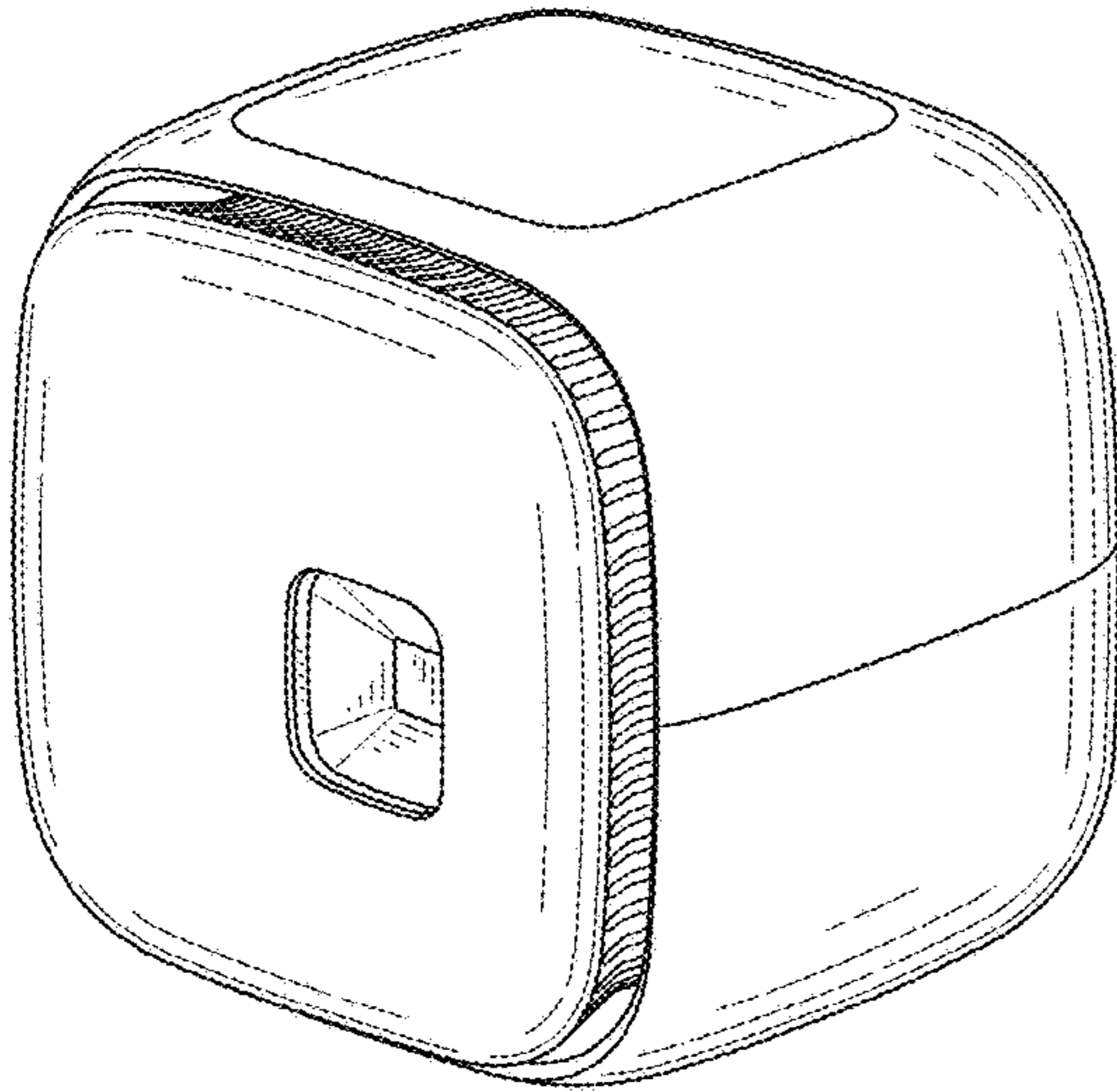


FIG. 1

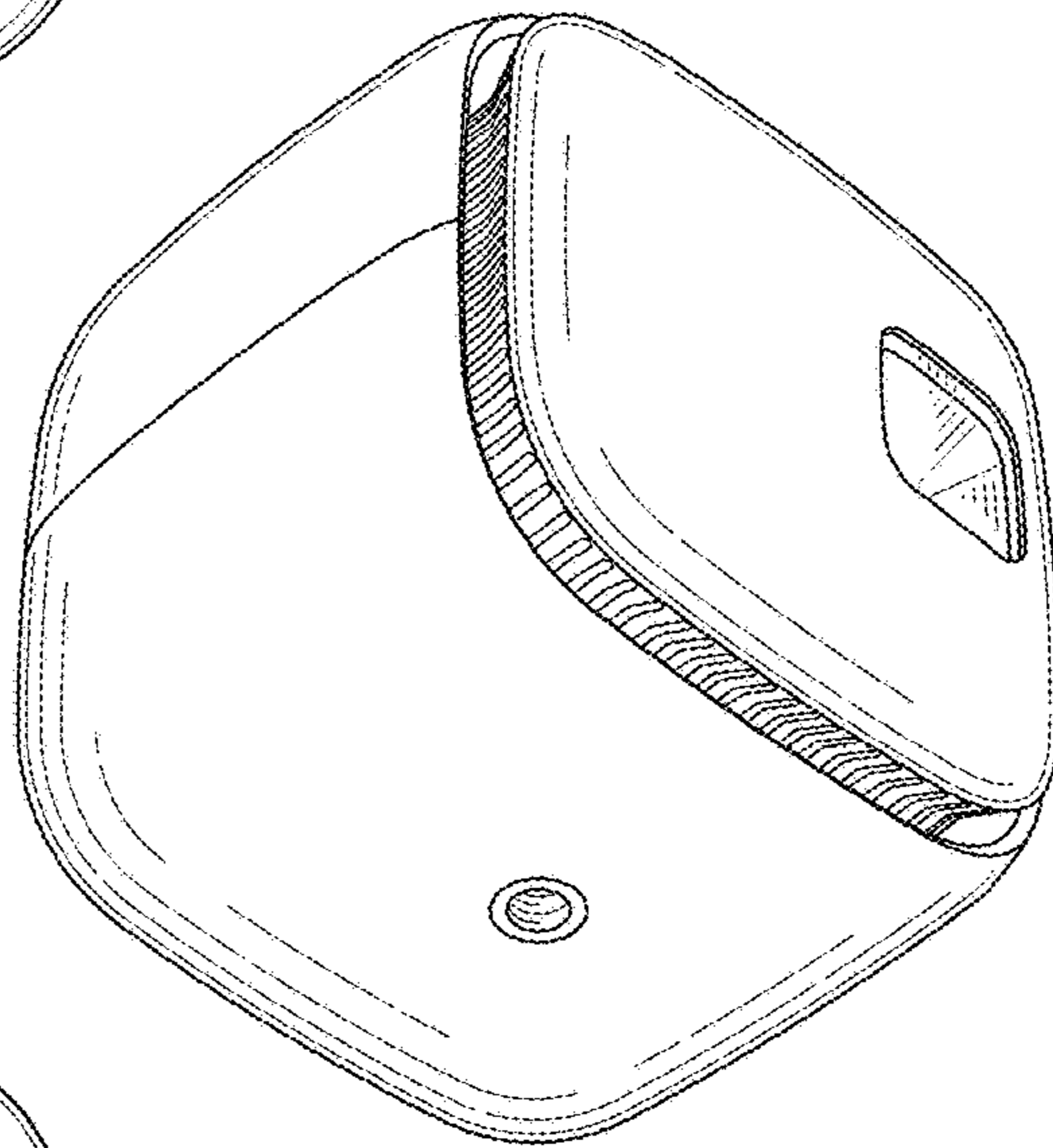


FIG. 2

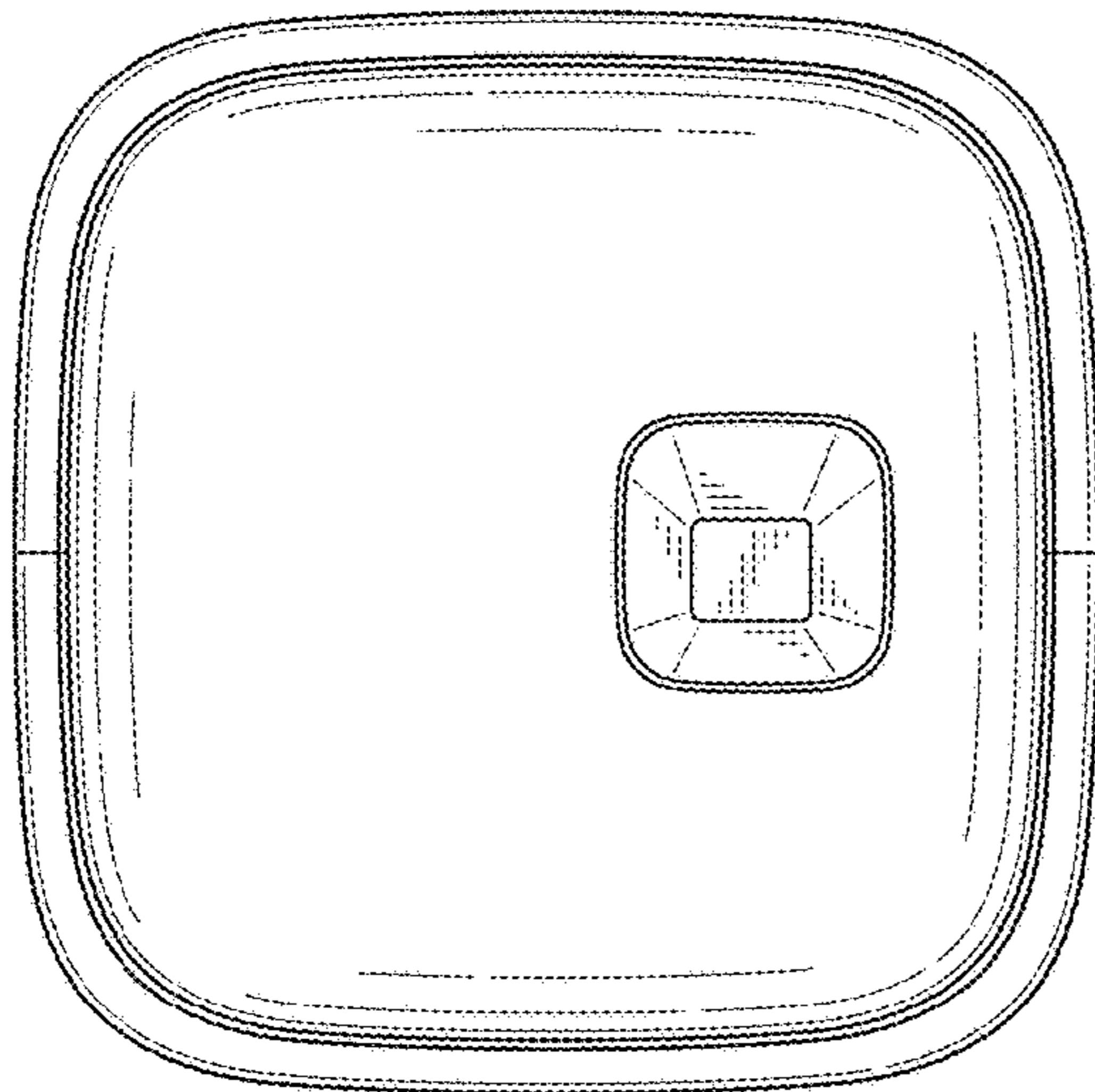


FIG. 3

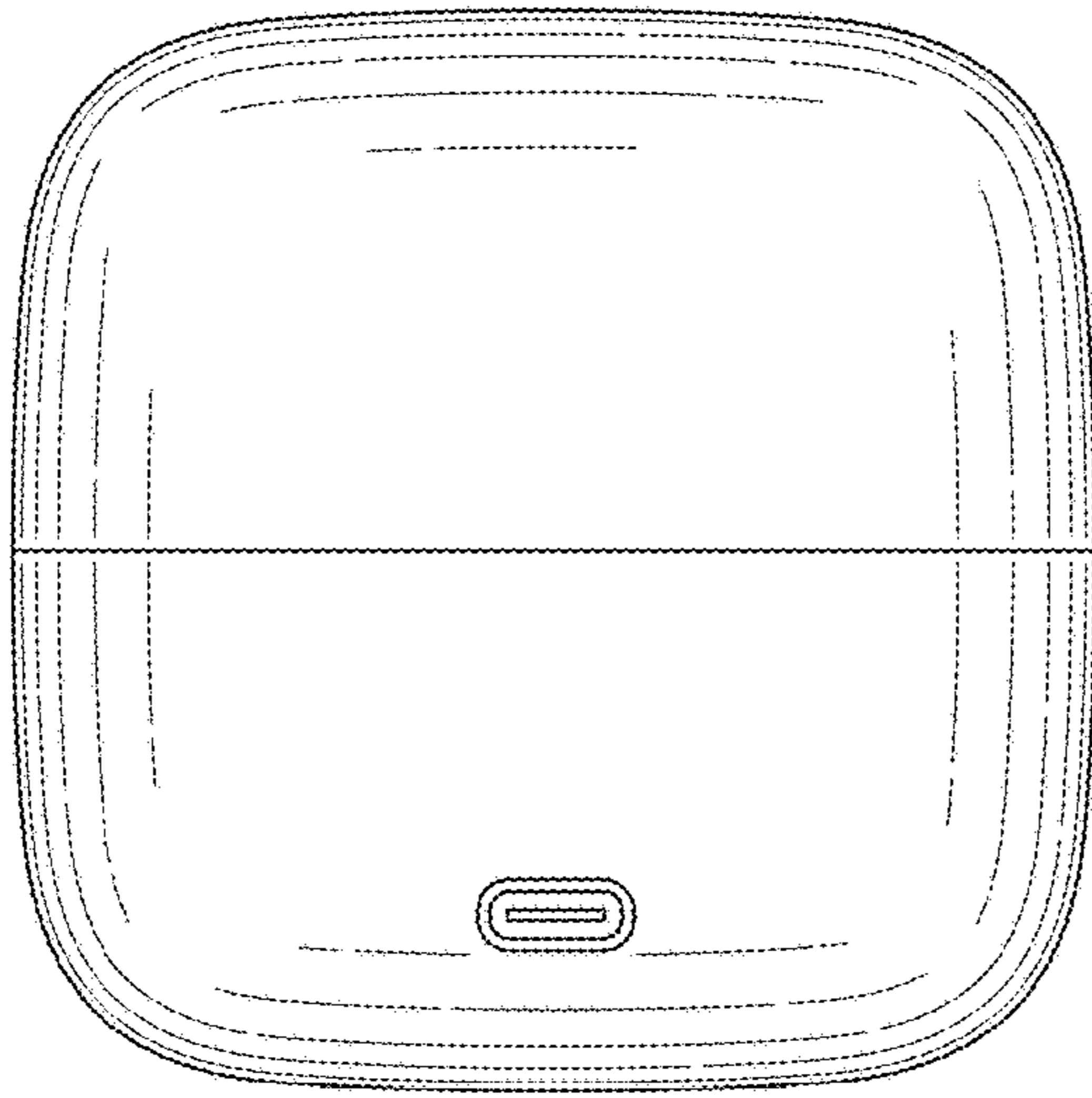


FIG. 4

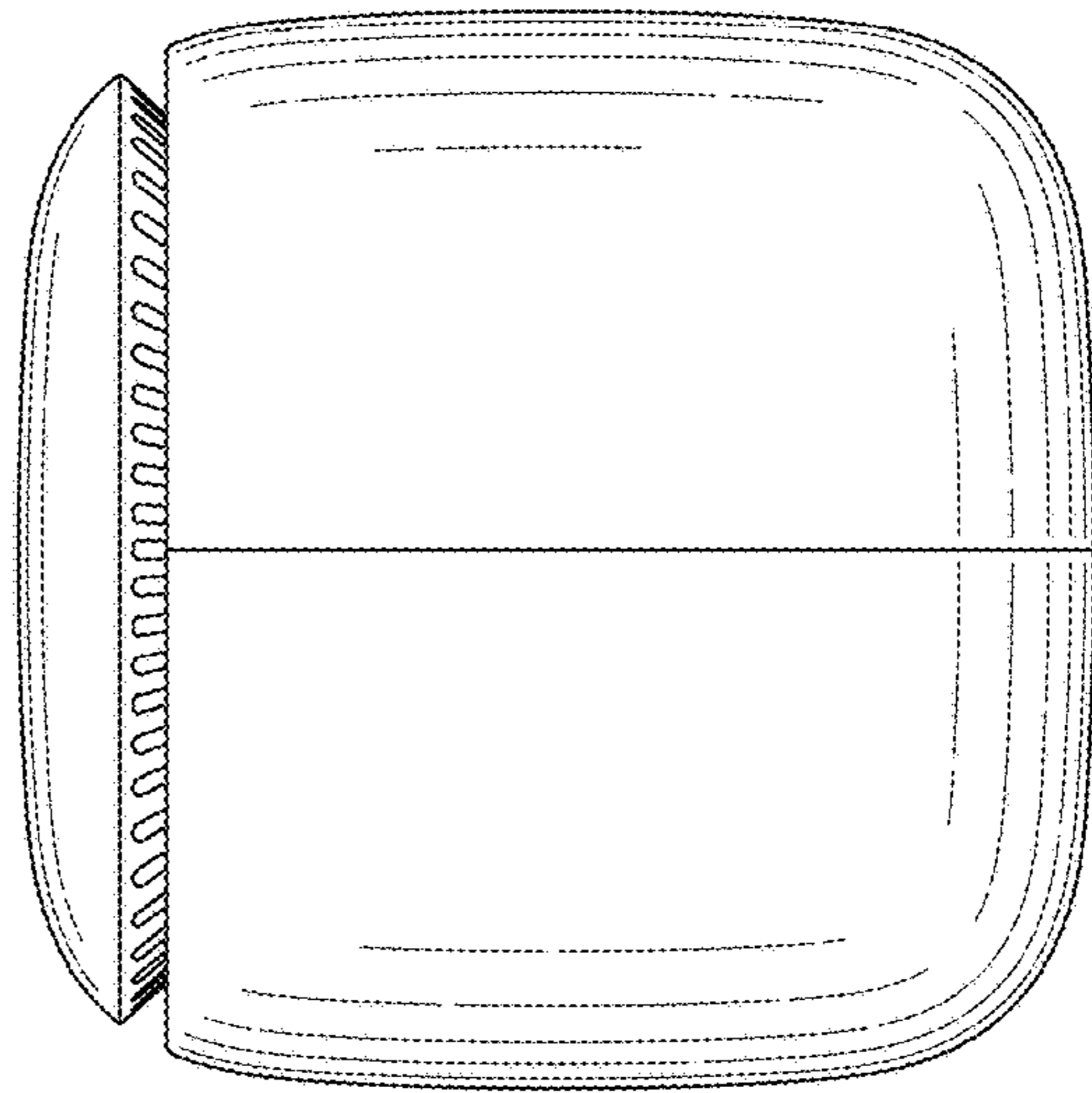


FIG. 5

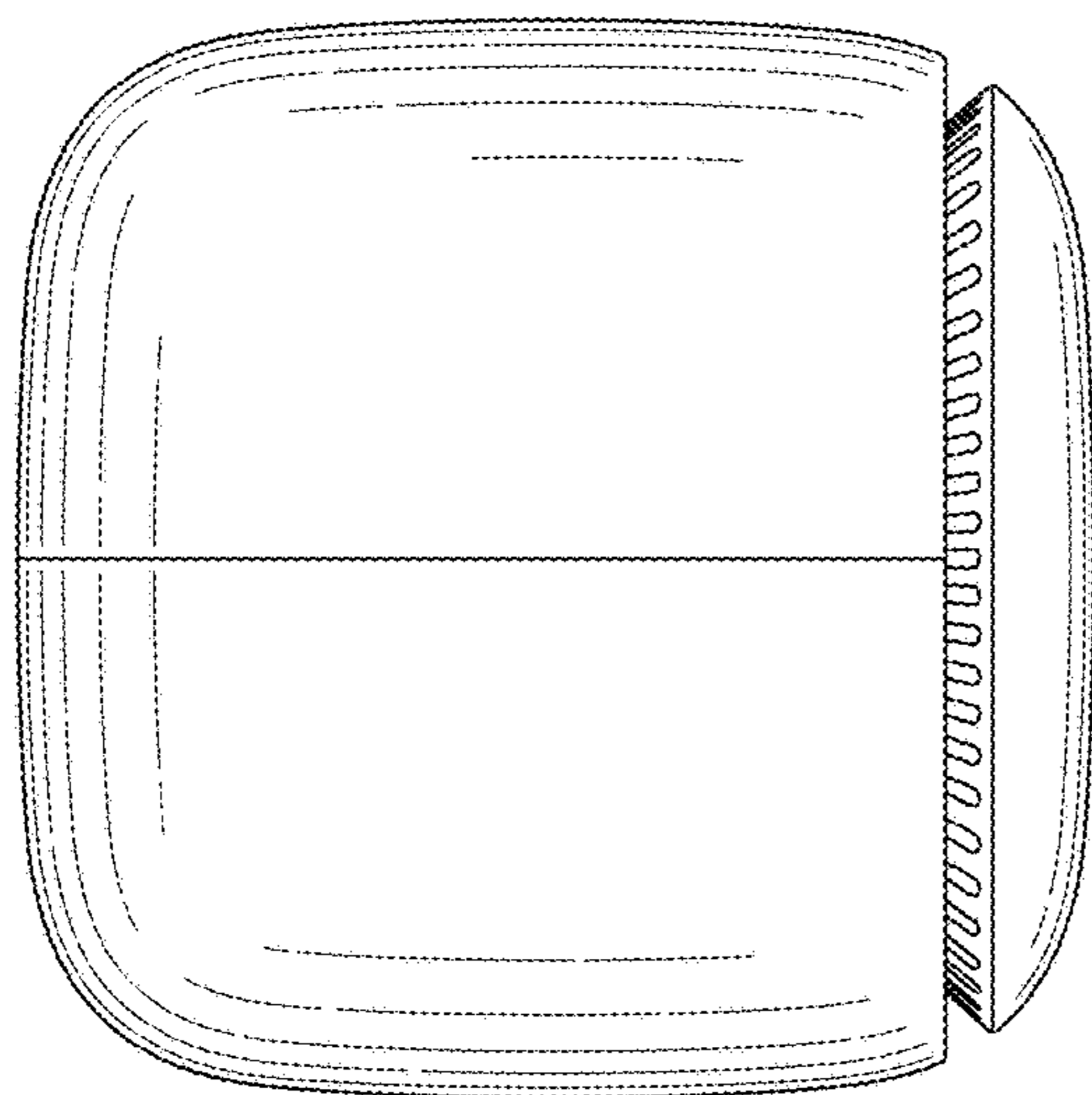


FIG. 6

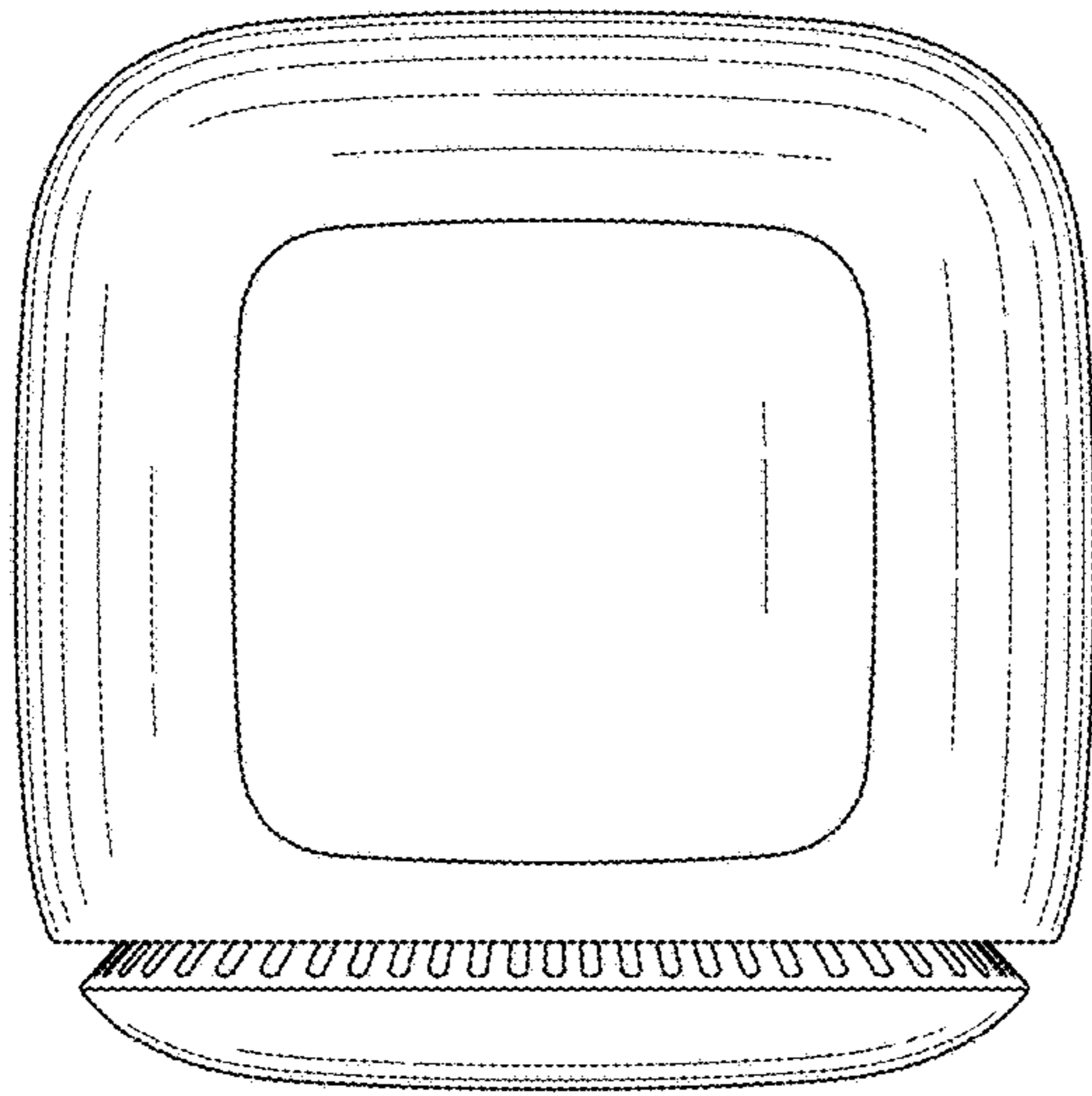


FIG. 7

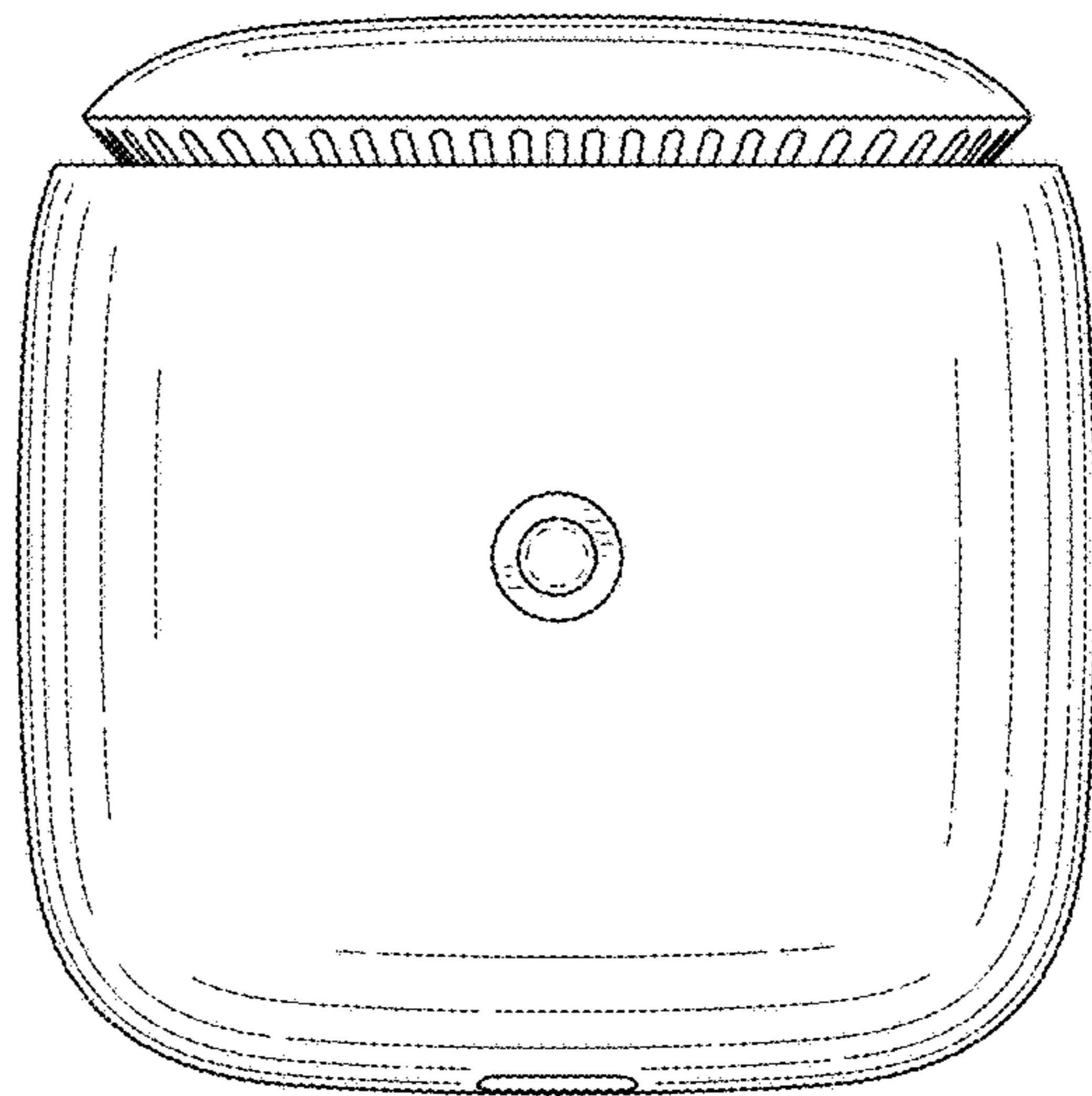


FIG. 8

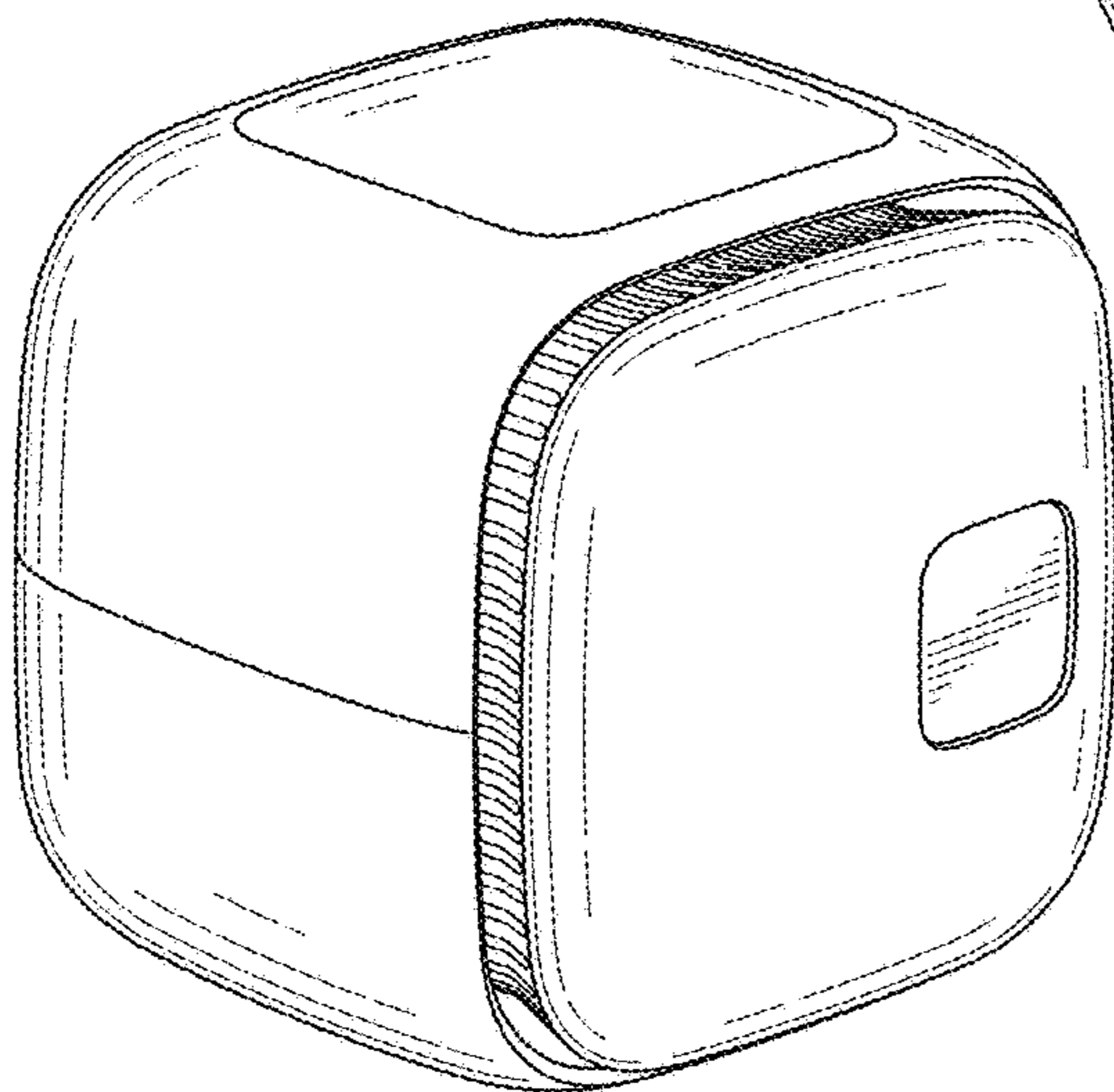


FIG. 9