



US00D851159S

(12) **United States Design Patent**  
**Guo**

(10) **Patent No.:** **US D851,159 S**  
(45) **Date of Patent:** **\*\* Jun. 11, 2019**

(54) **MINI LASER STAGE LIGHTING**  
(71) Applicant: **Haifan Guo**, Guangdong (CN)  
(72) Inventor: **Haifan Guo**, Guangdong (CN)  
(\*\*) Term: **15 Years**  
(21) Appl. No.: **29/605,628**  
(22) Filed: **May 27, 2017**  
(51) **LOC (11) Cl.** ..... **16-02**  
(52) **U.S. Cl.**  
USPC ..... **D16/221**  
(58) **Field of Classification Search**  
USPC ..... D16/221, 225, 230-231, 234-235;  
D26/63, 85, 46  
CPC ..... F21V 7/0083; G03B 21/145; G03B 21/14;  
G03B 21/005; G03B 21/2033  
See application file for complete search history.

8,955,979 B2 \* 2/2015 Velazquez ..... G03B 21/14  
313/500  
D777,822 S \* 1/2017 Velazquez ..... D16/225  
2018/0084921 A1 \* 3/2018 Huang ..... G03B 21/145

**FOREIGN PATENT DOCUMENTS**

CN 301599823 \* 12/2010  
CN 304462942 \* 1/2017

\* cited by examiner

*Primary Examiner* — Wan Laymon

(57) **CLAIM**

The ornamental design for a mini laser stage lighting, as shown and described.

**DESCRIPTION**

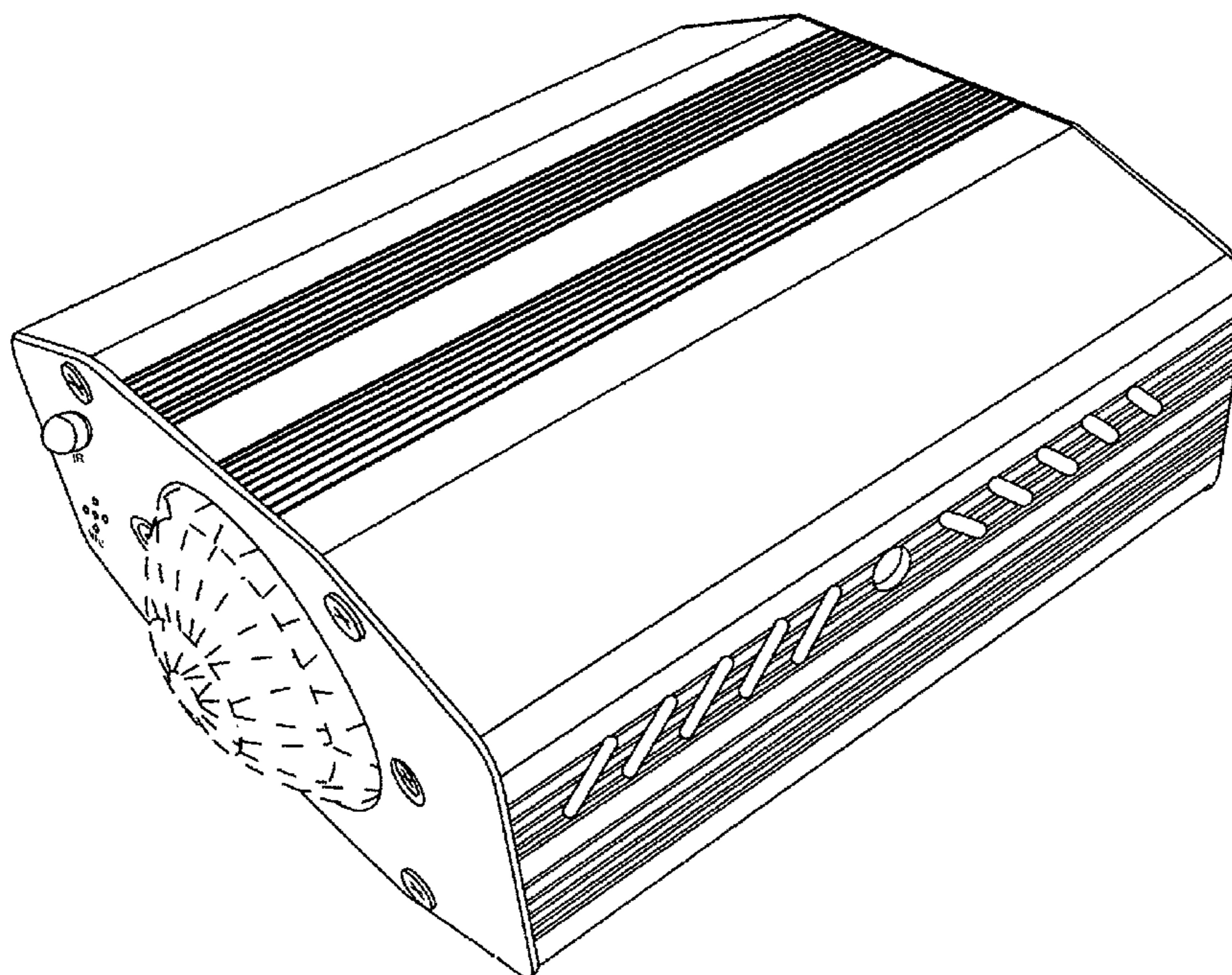
FIG. 1 is a perspective view of a mini laser stage lighting showing my new design;  
FIG. 2 is a front elevational view thereof;  
FIG. 3 is a rear elevational view thereof;  
FIG. 4 is a left side elevational view thereof;  
FIG. 5 is a right side elevational view thereof;  
FIG. 6 is a top plan view thereof; and,  
FIG. 7 is a bottom plan view thereof.  
The portions of the mini laser stage lighting shown in broken lines form no part of the claimed design.

(56) **References Cited**

**U.S. PATENT DOCUMENTS**

D229,781 S \* 1/1974 Laughon ..... D16/225  
D352,304 S \* 11/1994 Zavracky ..... D16/235  
D355,206 S \* 2/1995 Zavracky ..... D16/235  
D368,730 S \* 4/1996 Ronzani ..... D16/225  
D382,002 S \* 8/1997 Hix ..... D16/225  
D412,006 S \* 7/1999 Gilbert ..... D16/225  
D571,390 S \* 6/2008 Yamada ..... D16/225  
8,061,858 B2 \* 11/2011 Belliveau ..... G03B 21/145  
348/789  
D698,382 S \* 1/2014 Ishibashi ..... D16/225

**1 Claim, 7 Drawing Sheets**



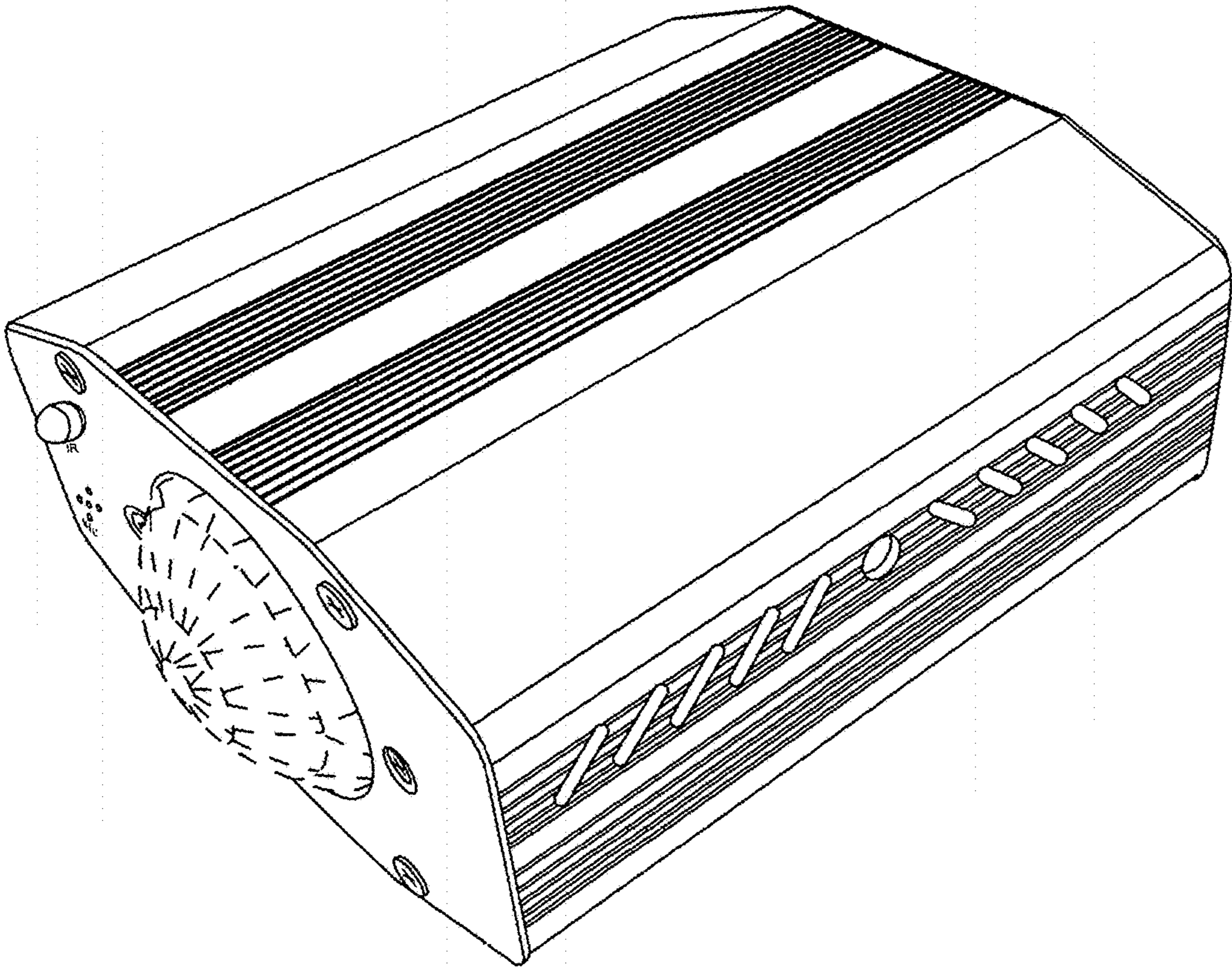


FIG. 1

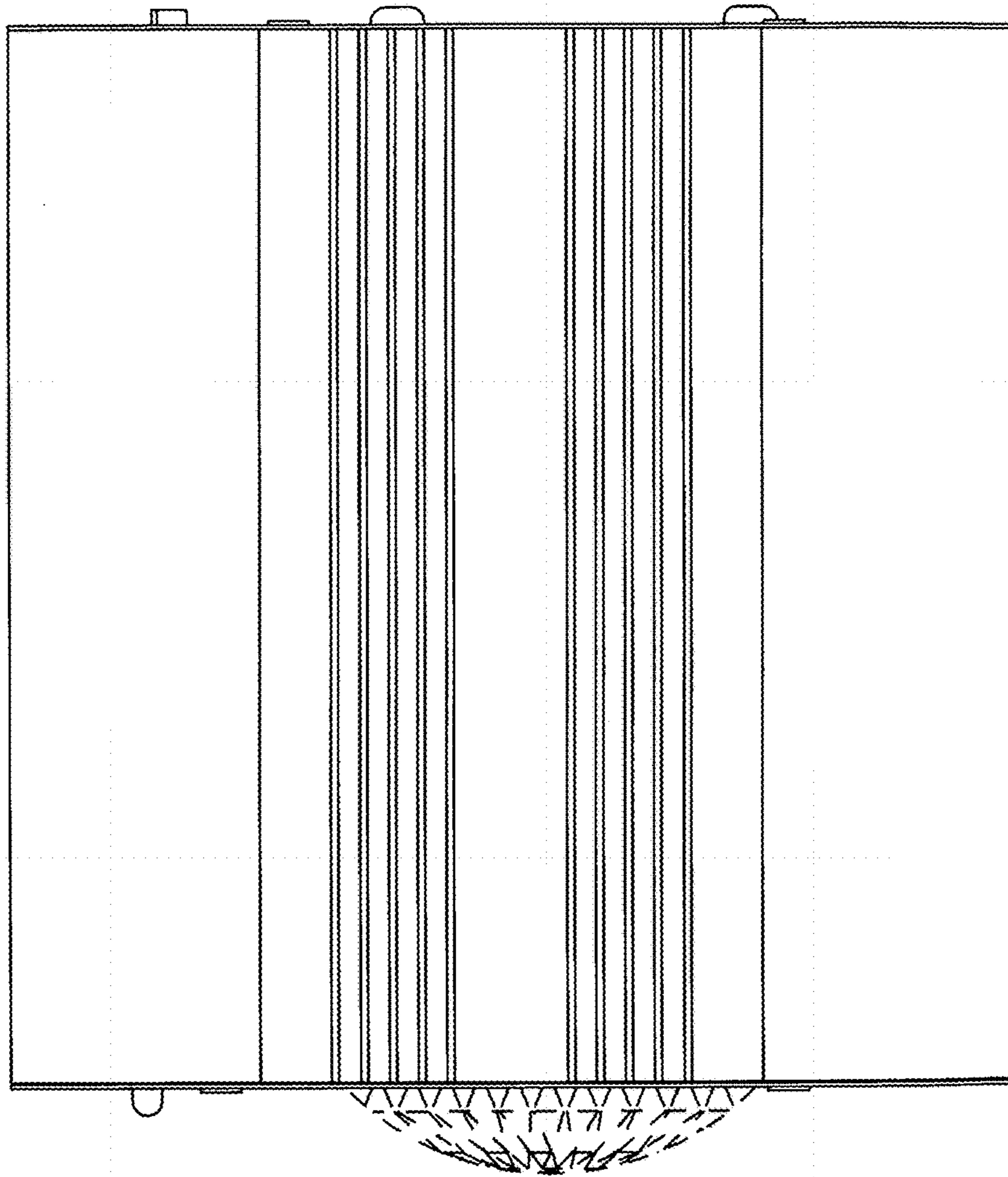


FIG. 2

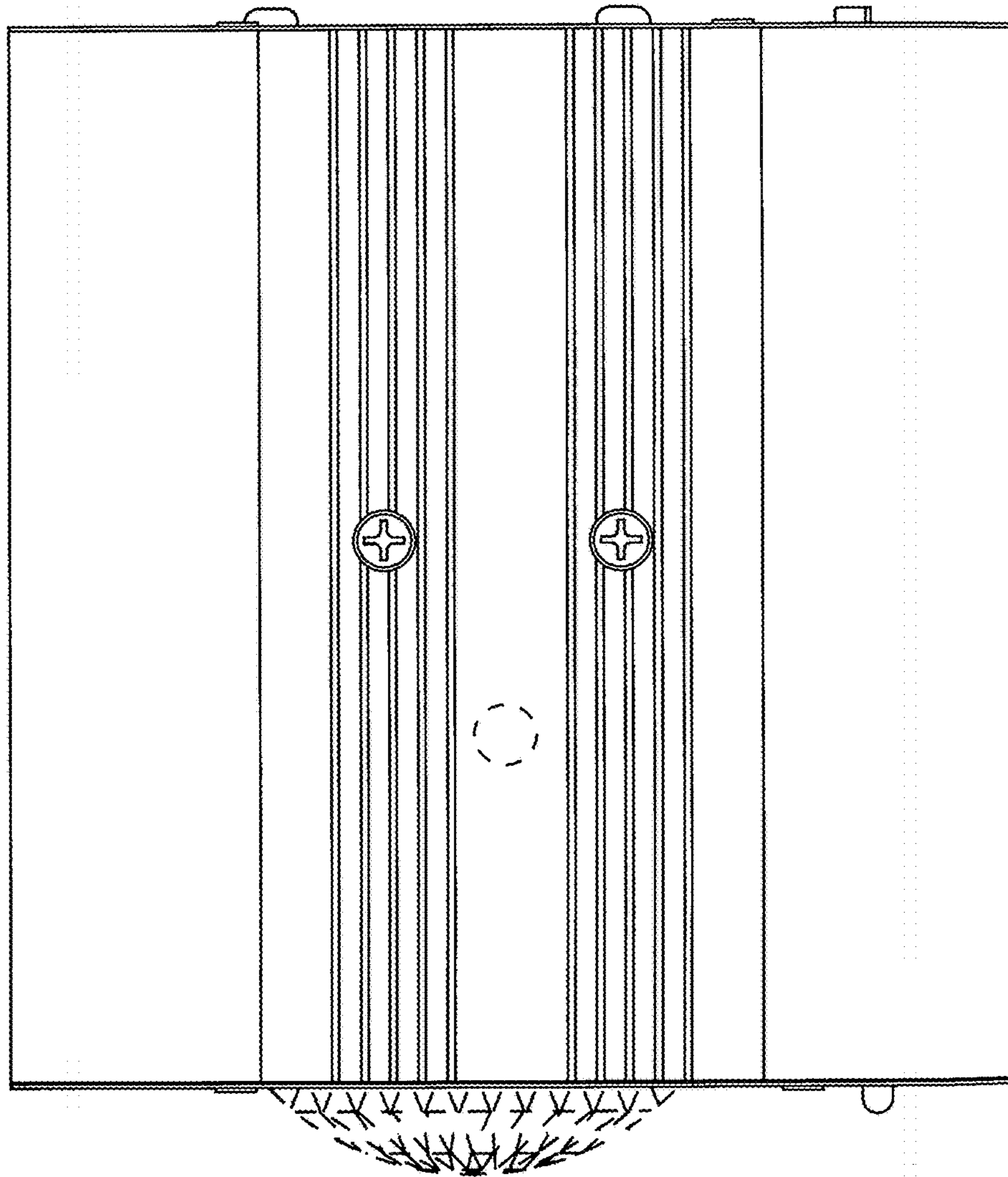


FIG. 3

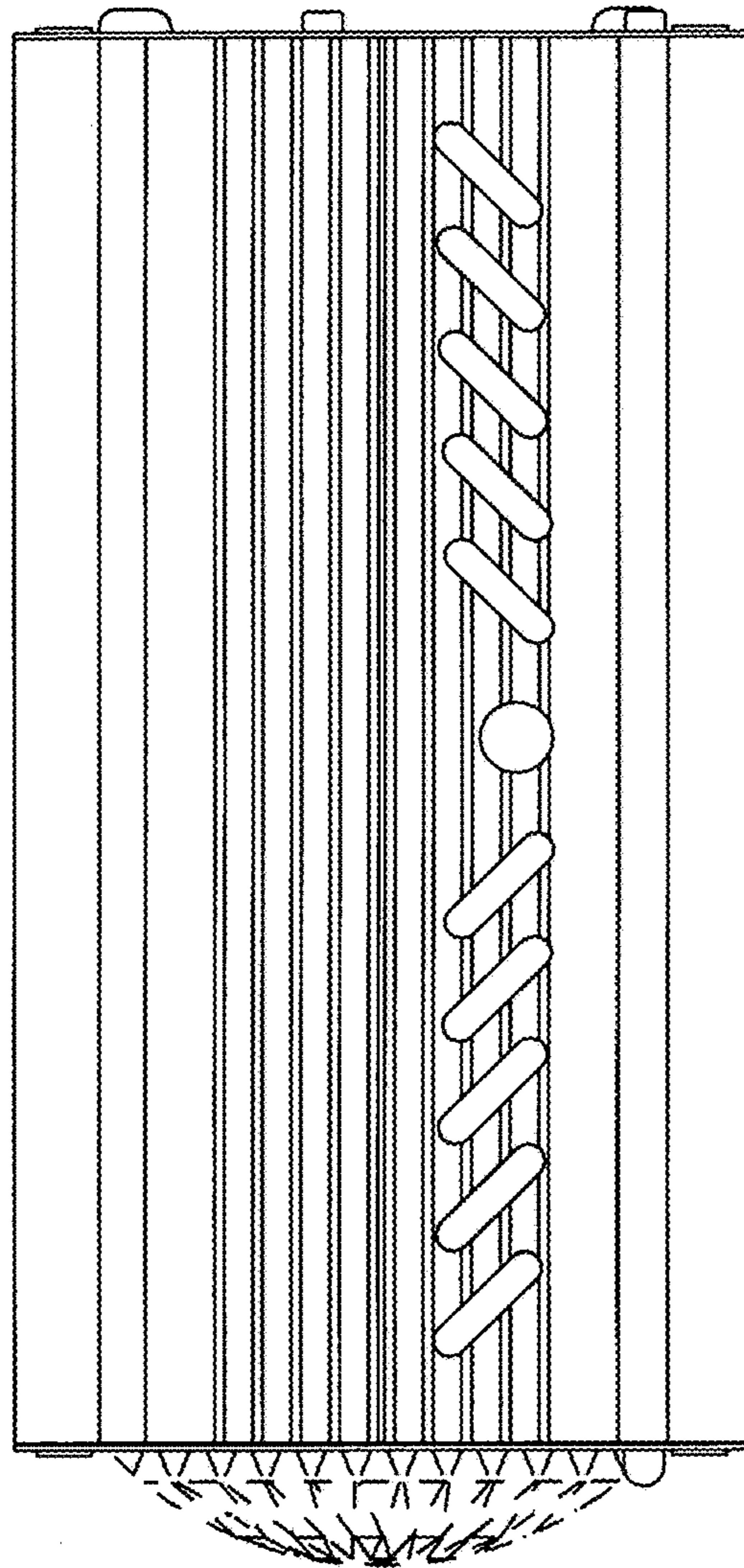


FIG. 4

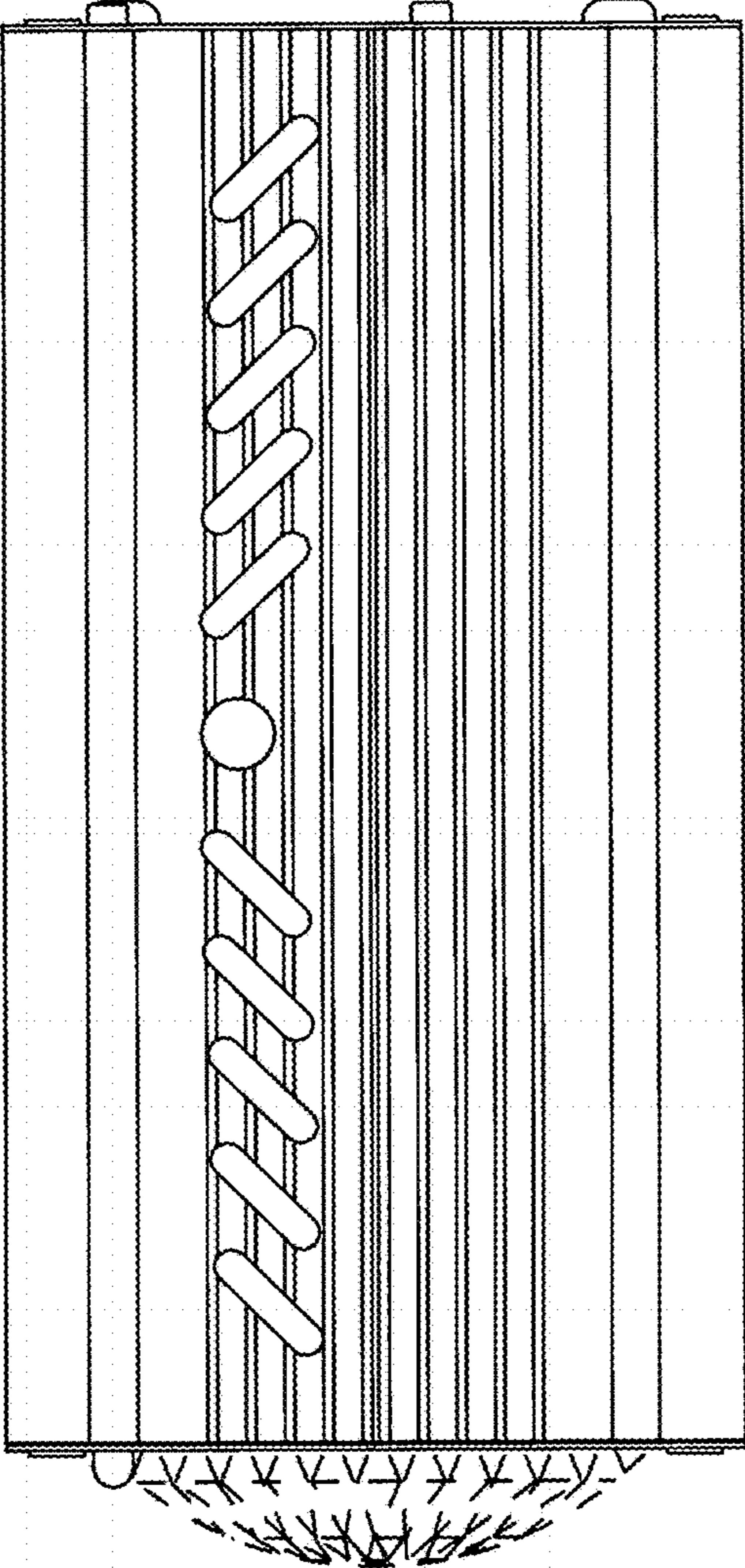


FIG. 5

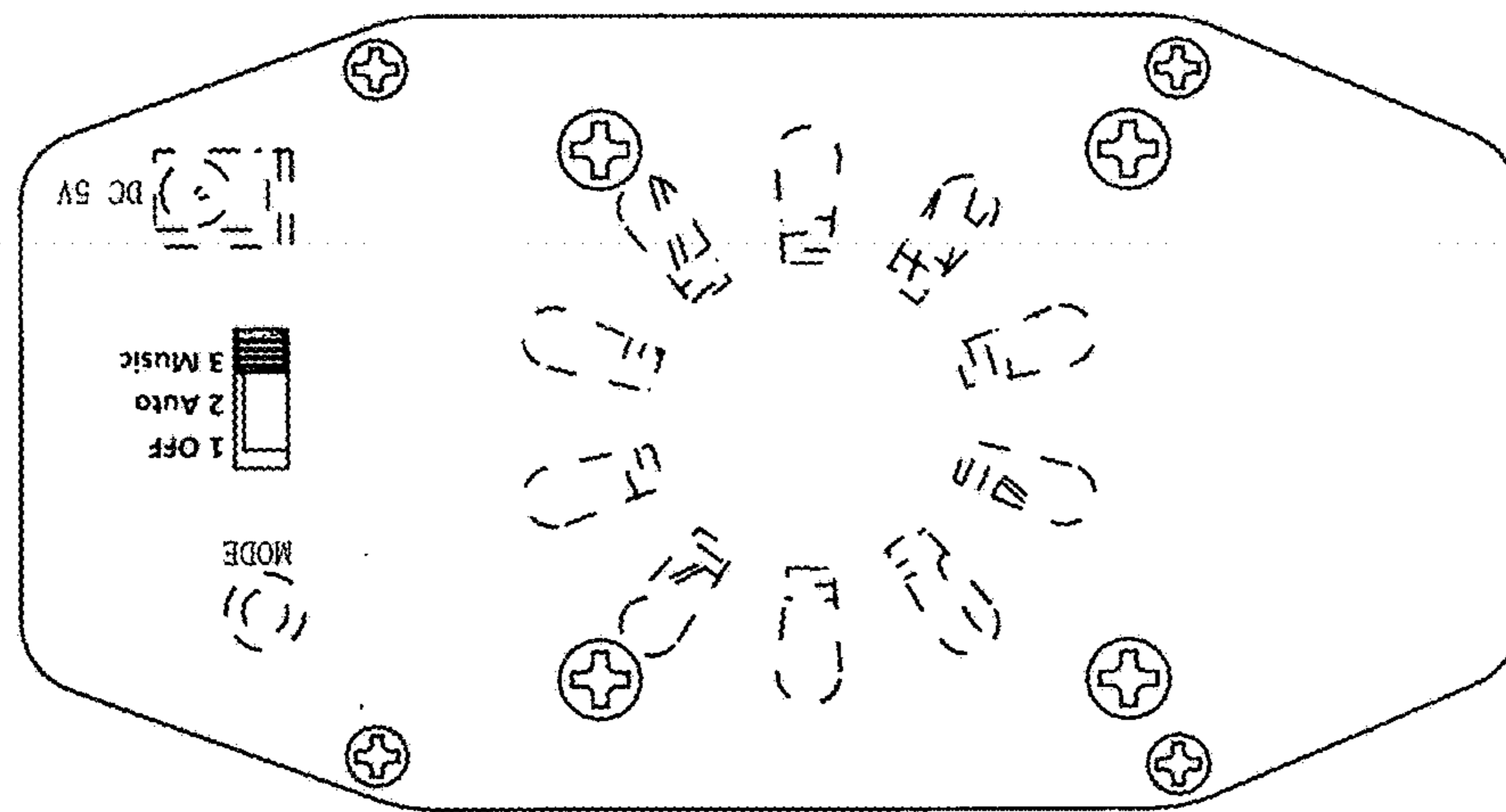


FIG. 6

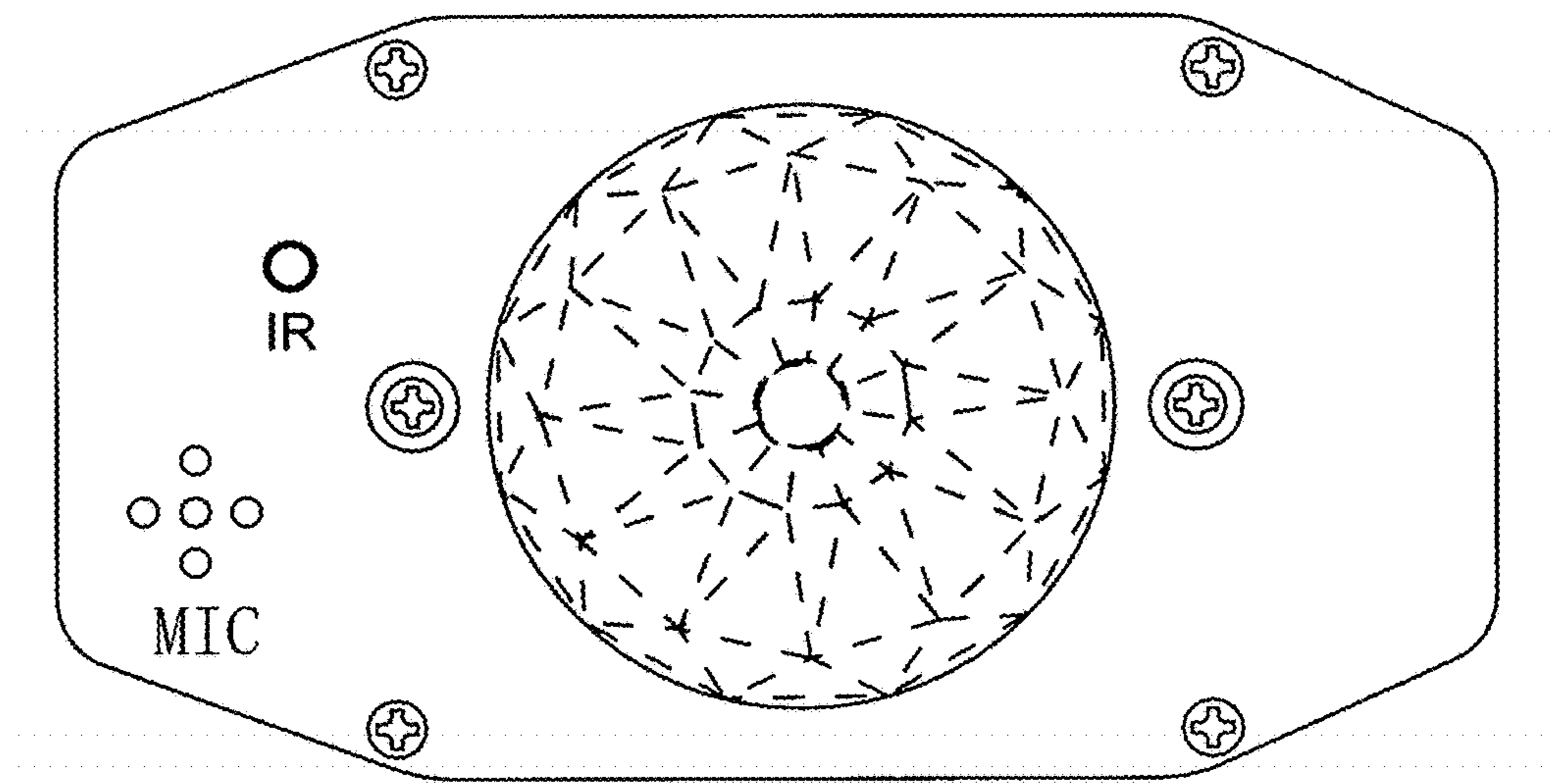


FIG. 7