



US00D851158S

(12) **United States Design Patent** (10) **Patent No.:** **US D851,158 S**
Garlock et al. (45) **Date of Patent:** **** Jun. 11, 2019**

(54) **CAMERA** D372,995 S 8/1996 Huang
D414,504 S * 9/1999 Madden D16/203
(71) Applicant: **Robert Bosch GmbH**, Stuttgart (DE) 6,061,087 A * 5/2000 Schieltz G08B 13/19619
348/151
(72) Inventors: **Steven E. Garlock**, Willow Street, PA D436,192 S 1/2001 Hussaini et al.
(US); **Devin F. Moore**, Lancaster, PA D452,697 S 1/2002 Fallowfield et al.
(US); **Andrew A. Marszalek, III**, New D542,319 S * 5/2007 Ishida D16/202
Cumberland, PA (US) D552,650 S * 10/2007 Yamakawa D16/203
D554,170 S 10/2007 Grotto
D555,691 S 11/2007 Kato et al.
(73) Assignee: **Robert Bosch GmbH**, Stuttgart (DE) (Continued)

(**) Term: **15 Years**

(21) Appl. No.: **29/650,558**

(22) Filed: **Jun. 7, 2018**

Related U.S. Application Data

(63) Continuation of application No. 29/650,255, filed on Jun. 5, 2018.

(51) **LOC (11) Cl.** **16-05**

(52) **U.S. Cl.**
USPC **D16/219; D16/203**

(58) **Field of Classification Search**

USPC D16/200, 202-206, 208, 218, 219, 242;
348/143, 148, 151, 373-376; 396/419,
396/427, 535, 539-541

CPC G03B 17/02; G03B 19/04; G03B 17/56;
G03B 17/04; G03B 15/03; H04N 5/2251;
H04N 5/2252; H04N 5/2253; H04N
5/2254; H04N 7/181; H04N 7/183; H04N
7/18; G08B 13/1963; G08B 13/19619;
G08B 13/19632; F16M 11/04; F16M
13/00

See application file for complete search history.

(56) **References Cited**

U.S. PATENT DOCUMENTS

D230,189 S 1/1974 Deitz et al.
3,916,097 A 10/1975 Imai
4,736,218 A 4/1988 Kutman

OTHER PUBLICATIONS

Bosch MIC-612HIALB36N Thermal Camera (50 mm, Black, NTSC)
<http://www.bhphotovideo.com/c/product/880460-REG/Bosch_f_01u_261_016_MIC_Series_612_Thermal.html> webpage accessed Dec. 3, 2015.

(Continued)

Primary Examiner — Philip S Hyder

Assistant Examiner — Ramzi S Almatrahi

(74) *Attorney, Agent, or Firm* — Michael Best & Friedrich LLP

(57) **CLAIM**

We claim the ornamental design for a camera, as shown and described.

DESCRIPTION

FIG. 1 is a front perspective view of a camera showing our new design.

FIG. 2 is a front view of the camera shown in FIG. 1.

FIG. 3 is a rear view of the camera shown in FIG. 1.

FIG. 4 is a left side view of the camera shown in FIG. 1.

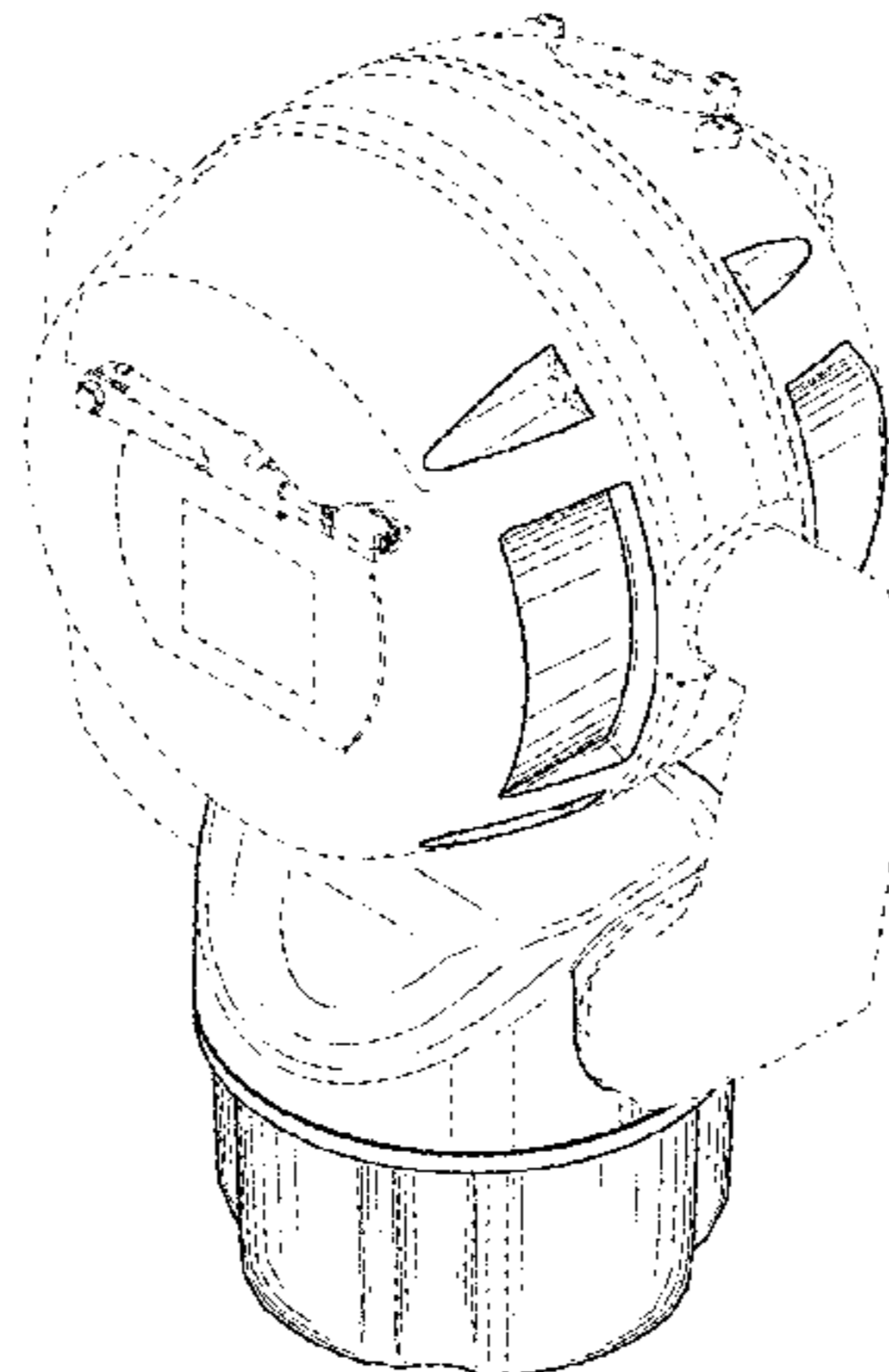
FIG. 5 is a right side view of the camera shown in FIG. 1.

FIG. 6 is a top view of the camera shown in FIG. 1; and,

FIG. 7 is a bottom view of the camera shown in FIG. 1.

The broken lines depict portions of the camera in which the design is embodied that form no part of the claimed design.

1 Claim, 6 Drawing Sheets



(56)

References Cited

U.S. PATENT DOCUMENTS

D558,249	S	12/2007	Hsia	
D572,288	S	7/2008	Neoh et al.	
D576,651	S	9/2008	Willis et al.	
D576,652	S	9/2008	Willis	
D576,653	S	9/2008	Malthouse	
D583,845	S	12/2008	Hayashi et al.	
D597,117	S *	7/2009	Yamane	D16/203
D604,350	S	11/2009	Fuji et al.	
D610,725	S	2/2010	Georgitsis et al.	
D636,805	S *	4/2011	Anneback	D16/203
D639,843	S *	6/2011	Zeinoun	D16/203
D649,175	S	11/2011	Willis	
D679,308	S	4/2013	Park et al.	
8,408,764	B2	4/2013	Chung et al.	
D697,241	S	1/2014	Chen	
D704,365	S	5/2014	Adams	
D716,863	S	11/2014	Zutell	
D716,985	S	11/2014	Jones	
D753,752	S *	4/2016	Ahman	D16/203
D757,835	S	5/2016	Tabuchi	
D776,739	S	1/2017	Urashima	
D806,157	S	12/2017	Marszalek, III et al.	
2003/0117809	A1	6/2003	Jong	

OTHER PUBLICATIONS

FLIR D-Series Long Range Thermal Security Camera <<http://www.flir.com/security/display/?id=44262>> webpage accessed Dec. 18, 2015.

AXIS Q8721-E Dual PTZ Network Camera <<http://www.axis.com/us/en/products/axis-q8721-e>> webpage accessed Dec. 18, 2015.

Ship video camera/ night vision/ thermal/ fixed JM612-TM LeadEx System Company Limited <<http://www.nauticexpo.com/prod/leadex-system-company-limited/product-32508-220816.html>> webpage accessed Dec. 18, 2015.

MIC Series 550 Camera, Product Fact Sheet, Bosch Security, Apr. 26, 2013, Retrieved from Internet <URL: http://stna.resource.bosch.com/documents/MIC_Series_550_Data_sheet_enUS_18014400835618955.pdf> 8 pages.

MIC Series 400 Stainless Steel Camera, Product Fact Sheet, Bosch Security, Apr. 26, 2013, Retrieved from Internet <URL: http://stna.resource.bosch.com/documents/MIC_400_Series_Data_sheet_enUS_2307654283.pdf> 5 pages.

MIC Series 412TI Thermal Camera, Product Fact Sheet, Bosch Security, Jun. 11, 2012, Retrieved from Internet <URL: http://stna.resource.bosch.com/documents/Data_sheet_enUS_2317502987.pdf> 6 pages.

MIC Series 440 Explosion-Protected Camera, Product Fact Sheet, Bosch Security, May 13, 2013, Retrieved from Internet <URL: http://stna.resource.bosch.com/documents/MIC_Series_440_Data_sheet_enUS_2322412683.pdf> 6 pages.

MIC Series 550 Infrared Camera, Product Fact Sheet, Bosch Security, Apr. 26, 2013, Retrieved from Internet <URL: http://stna.resource.bosch.com/documents/MIC_Series_550_IR_Data_sheet_enUS_18014400835923979.pdf> 8 pages.

MIC Series 612 Thermal Camera, Product Fact Sheet, Bosch Security, Jun. 21, 2013, Retrieved from Internet <URL: http://stna.resource.bosch.com/documents/MIC_Series_612_Data_sheet_enUS_7880732043.pdf> 9 pages.

* cited by examiner

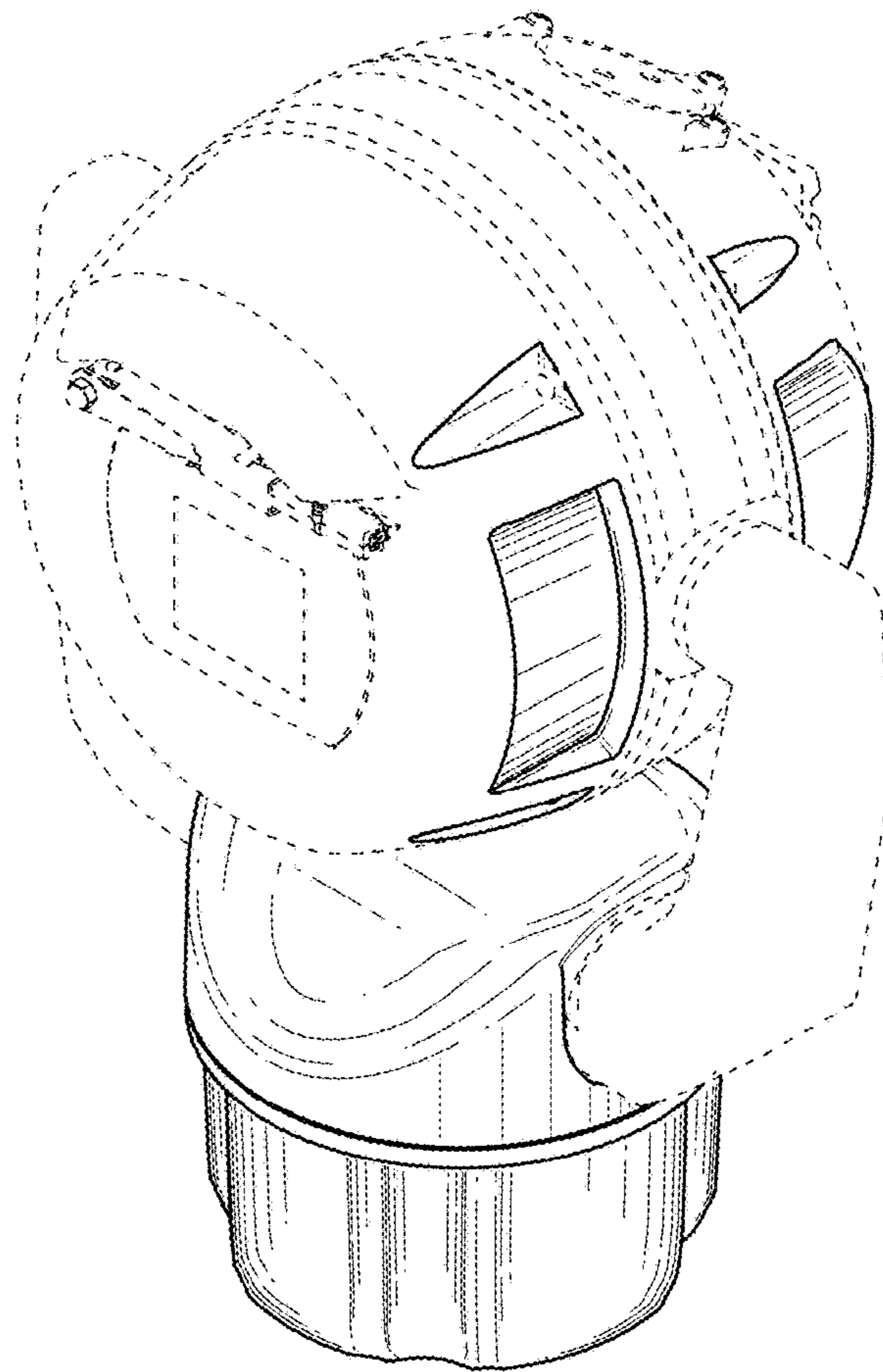


FIG. 1

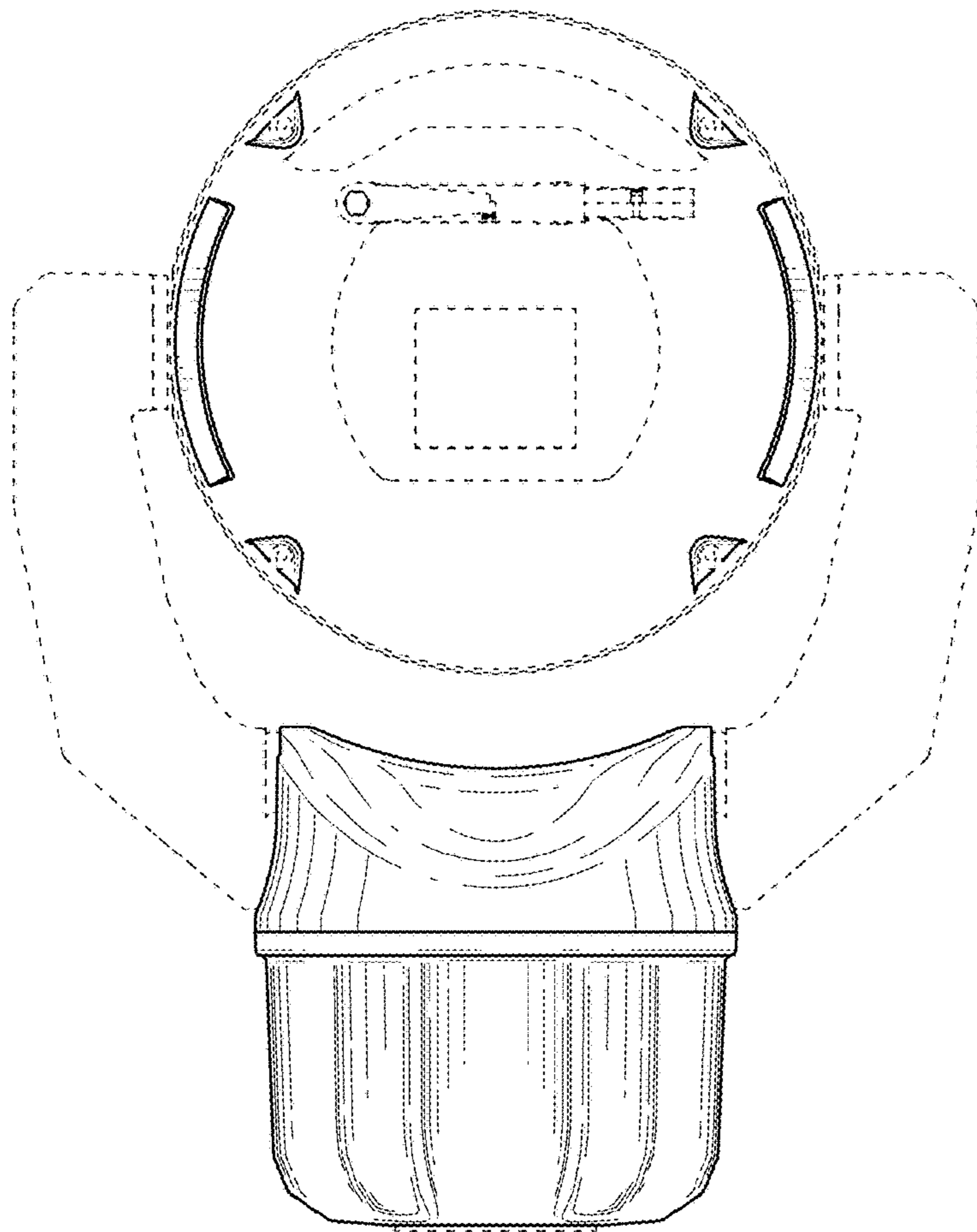


FIG. 2

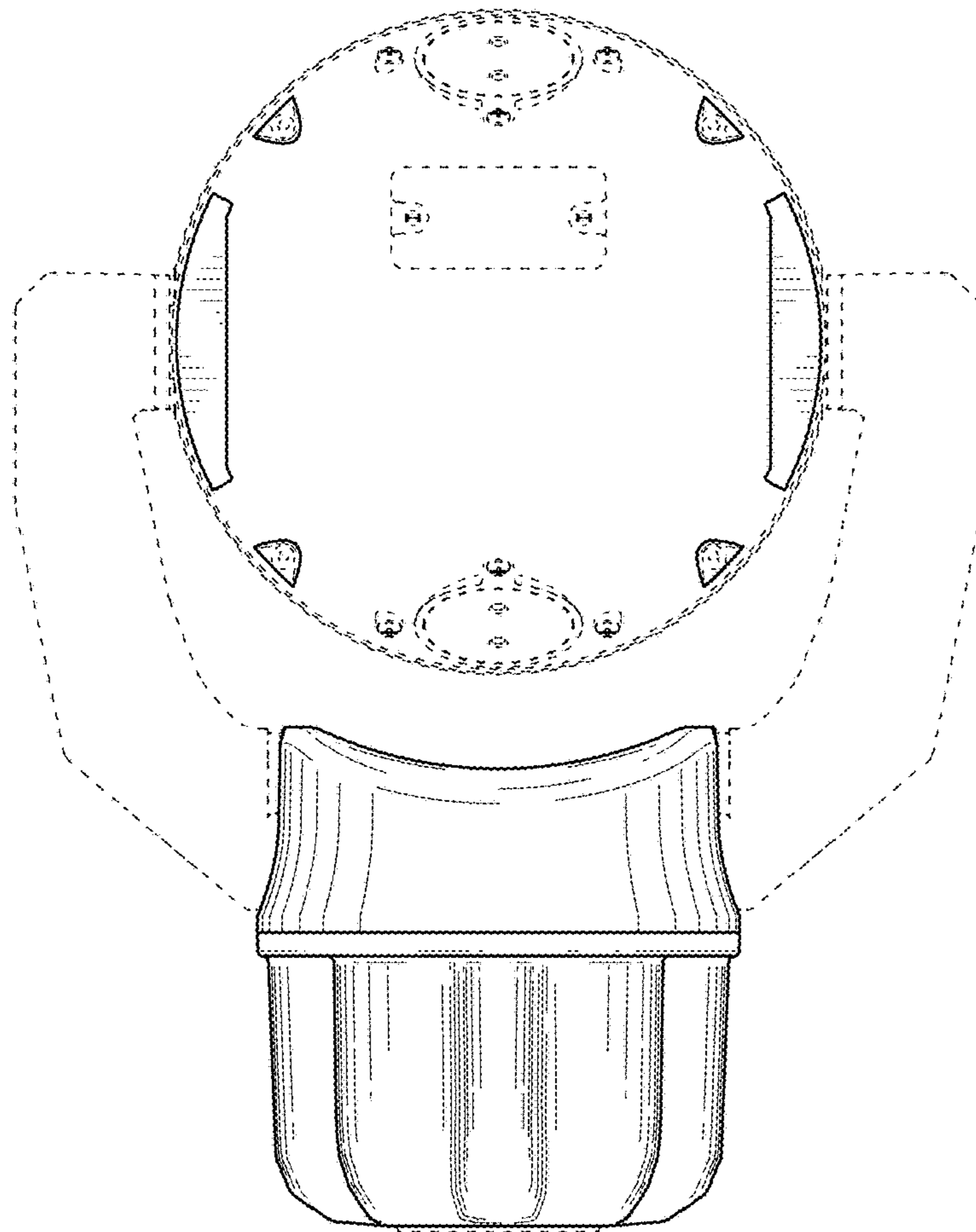


FIG. 3

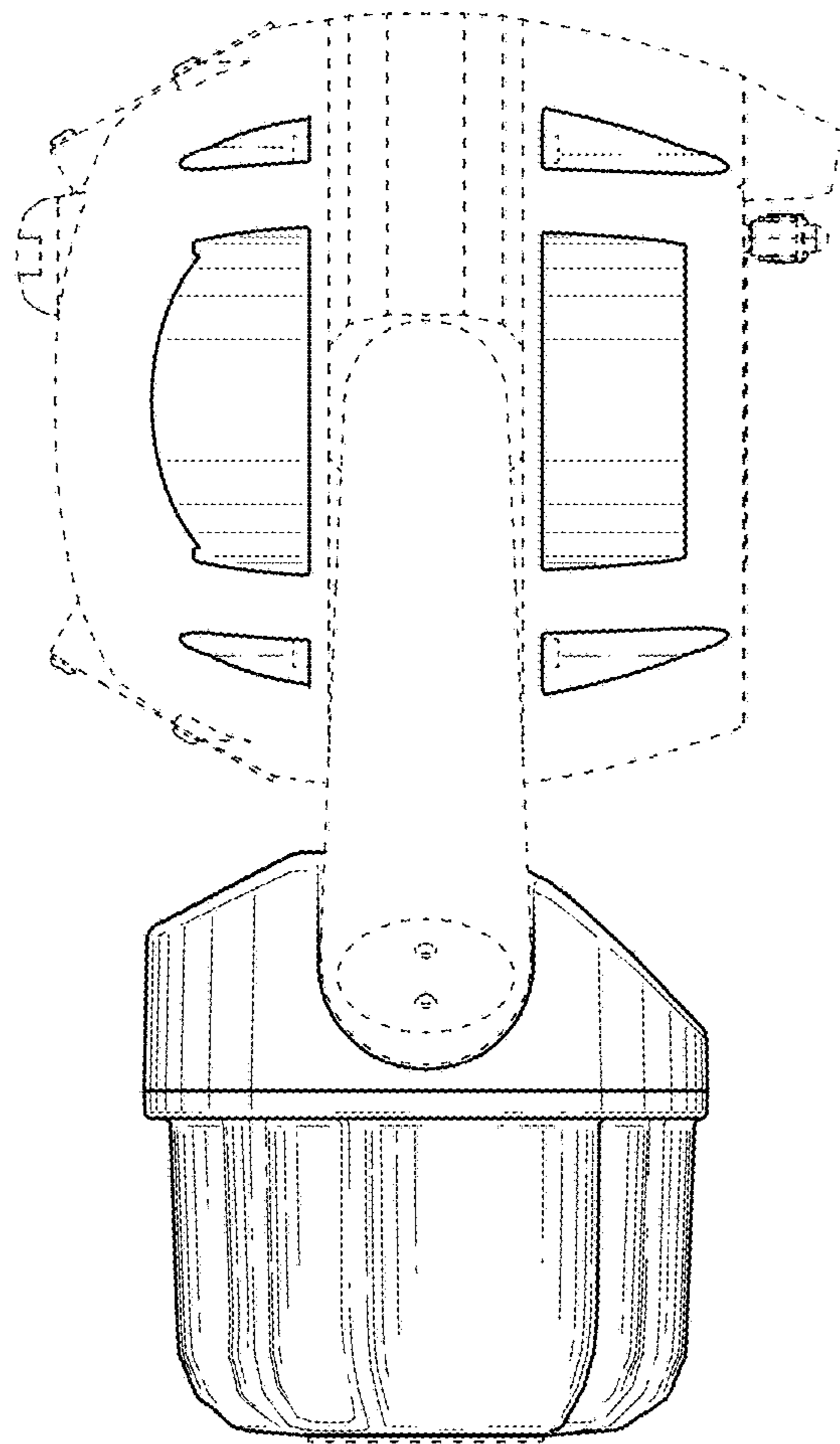


FIG. 4

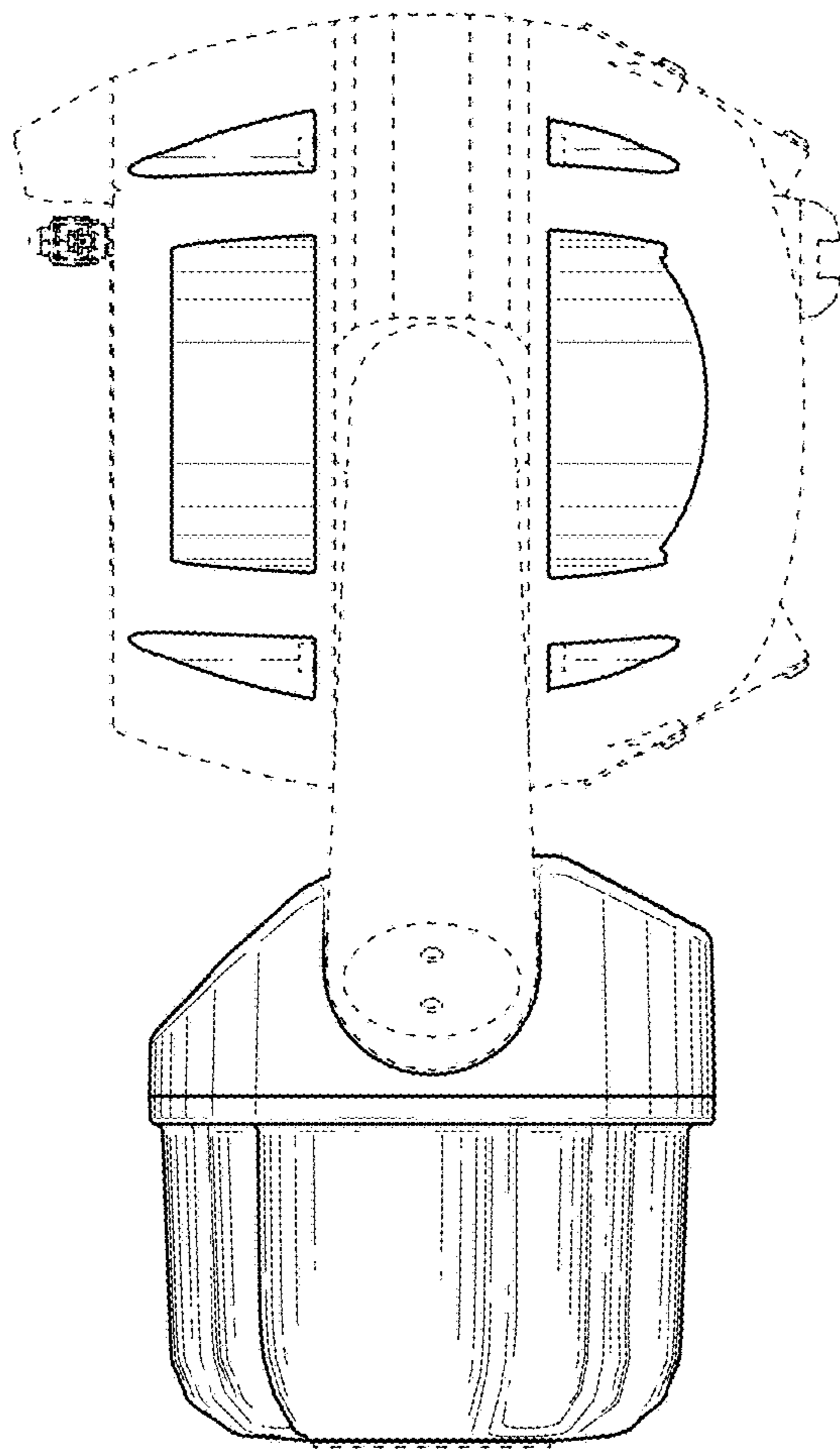


FIG. 5

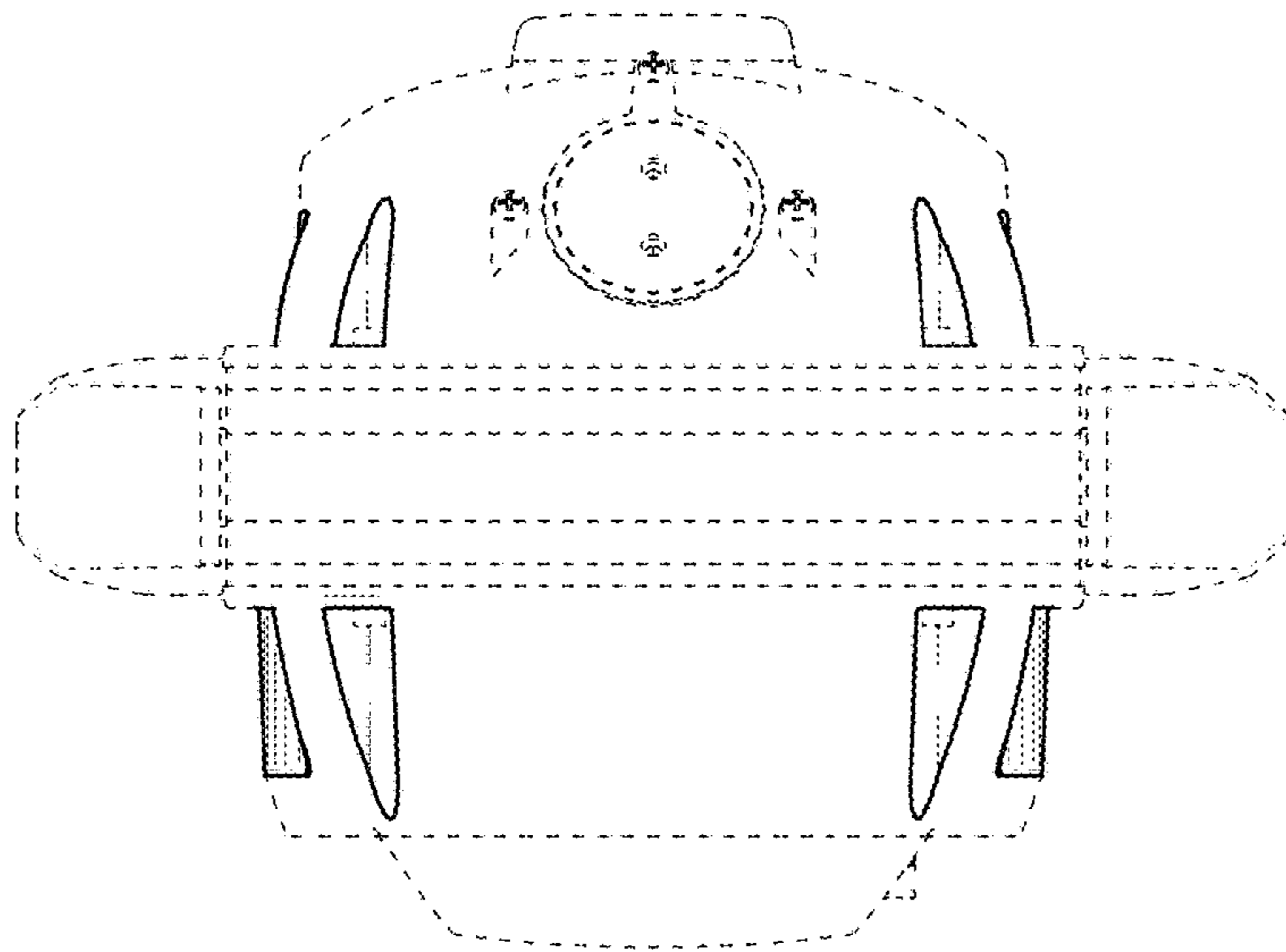


FIG. 6

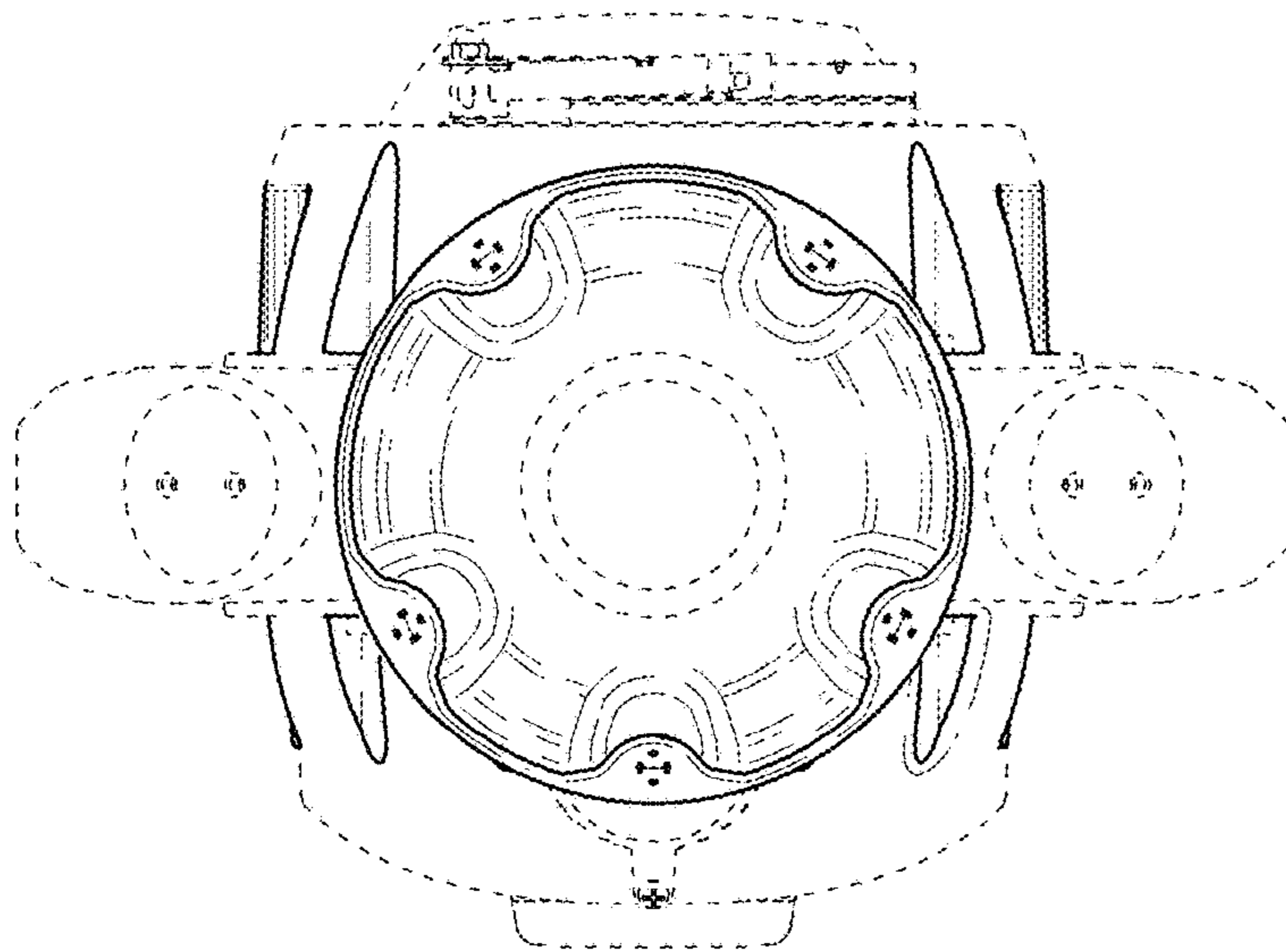


FIG. 7