



US00D851157S

(12) **United States Design Patent** (10) **Patent No.:** **US D851,157 S**
Garlock et al. (45) **Date of Patent:** **** Jun. 11, 2019**

(54) **CAMERA** 4,736,218 A 4/1988 Kutman
D372,995 S 8/1996 Huang
(71) Applicant: **Robert Bosch GmbH**, Stuttgart (DE) D414,504 S * 9/1999 Madden D16/203
6,061,087 A * 5/2000 Schieltz G08B 13/19619
(72) Inventors: **Steven E. Garlock**, Willow Street, PA D436,192 S 1/2001 Hussaini et al.
(US); **Devin F. Moore**, Lancaster, PA D452,434 S * 12/2001 Sweeney D9/429
(US); **Andrew A. Marszalek, III**, New D452,697 S 1/2002 Fallowfield et al.
Cumberland, PA (US) D542,319 S * 5/2007 Ishida D16/202
(73) Assignee: **Robert Bosch GmbH**, Stuttgart (DE) (Continued)

(**) Term: **15 Years**

(21) Appl. No.: **29/650,554**

(22) Filed: **Jun. 7, 2018**

Related U.S. Application Data

(63) Continuation of application No. 29/650,255, filed on Jun. 5, 2018.

(51) **LOC (11) Cl.** **16-05**

(52) **U.S. Cl.**
USPC **D16/219**; D16/203

(58) **Field of Classification Search**
USPC D16/200, 202–206, 208, 218, 219, 242;
348/143, 148, 151, 373–376; 396/419,
396/427, 535, 539–541; D7/372,
D7/376–386, 412–413, 510, 597,
D7/628–629; D9/414, 418, 424, 425,
D9/428, 429

CPC G03B 17/02; G03B 19/04; G03B 17/56;
G03B 17/04; G03B 15/03; H04N 5/2251;
H04N 5/2252; H04N 5/2253; H04N
5/2254; H04N 7/181; H04N 7/183; H04N
7/18; G08B 13/1963; G08B 13/19619;
G08B 13/19632; F16M 11/04; F16M
13/00

See application file for complete search history.

(56) **References Cited**

U.S. PATENT DOCUMENTS

D230,189 S 1/1974 Deitz et al.
3,916,097 A 10/1975 Imai

OTHER PUBLICATIONS

Bosch MIC-612HIALB36N Thermal Camera (50 mm, Black, NTSC)
<http://www.bhphotovideo.com/c/product/880460-REG/Bosch_f_01u_261_016_MIC_Series_612_Thermal.html> webpage accessed Dec. 3, 2015.

FLIR D-Series Long Range Thermal Security Camera <<http://www.flir.com/security/display/?id=44262>> webpage accessed Dec. 18, 2015.

(Continued)

Primary Examiner — Ramzi S Almatrahi

(74) *Attorney, Agent, or Firm* — Michael Best & Friedrich LLP

(57) **CLAIM**

We claim the ornamental design for a camera, as shown and described.

DESCRIPTION

FIG. 1 is a front perspective view of a camera showing our new design.

FIG. 2 is a front view of the camera shown in FIG. 1.

FIG. 3 is a rear view of the camera shown in FIG. 1.

FIG. 4 is a left side view of the camera shown in FIG. 1.

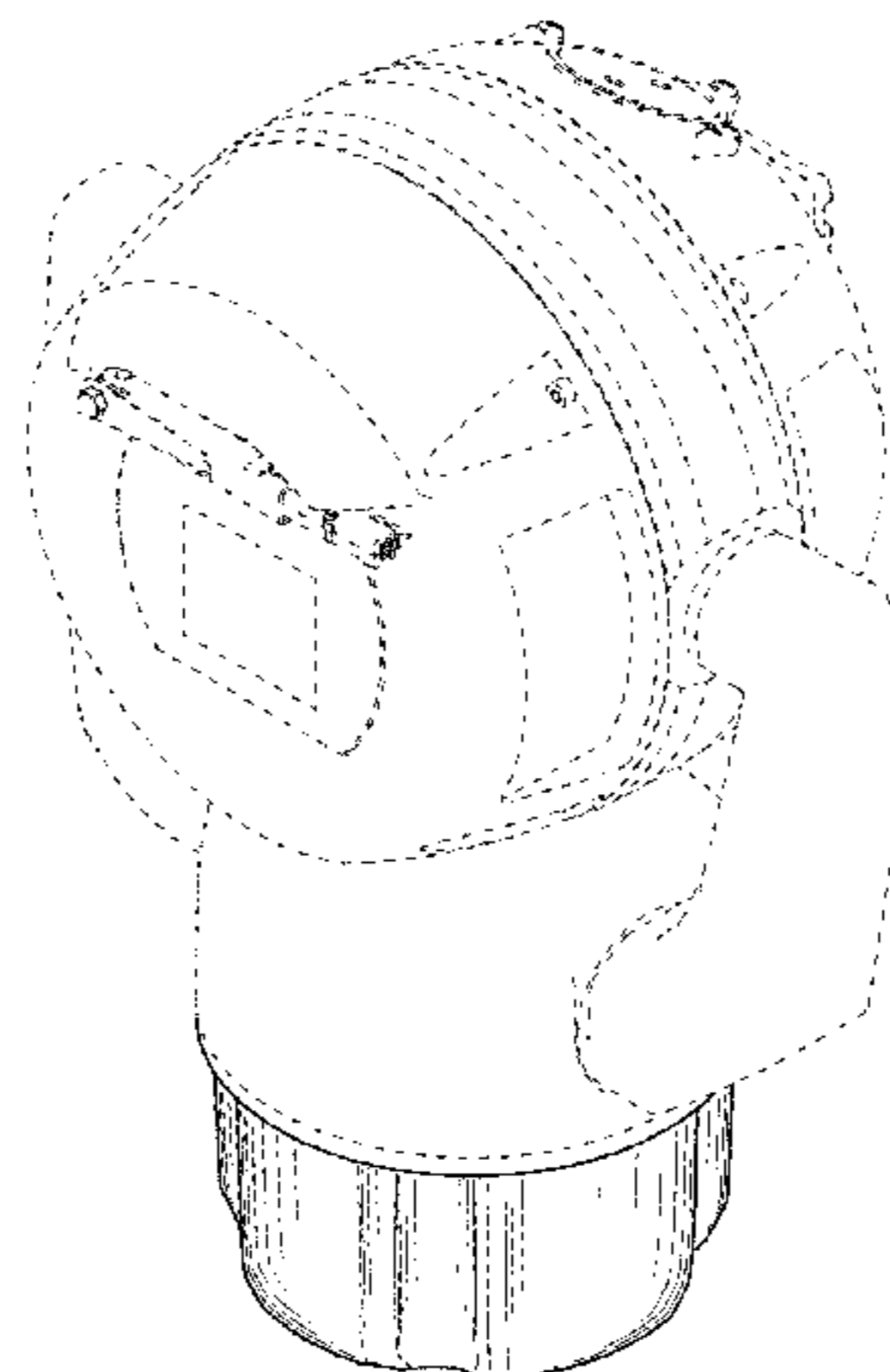
FIG. 5 is a right side view of the camera shown in FIG. 1.

FIG. 6 is a top view of the camera shown in FIG. 1; and,

FIG. 7 is a bottom view of the camera shown in FIG. 1.

The broken lines depict portions of the camera in which the design is embodied that form no part of the claimed design.

1 Claim, 6 Drawing Sheets



(56)

References Cited

OTHER PUBLICATIONS

U.S. PATENT DOCUMENTS

D552,650 S * 10/2007 Yamakawa D16/203
 D554,170 S 10/2007 Grotto
 D555,691 S 11/2007 Kato et al.
 D558,249 S 12/2007 Hsia
 D572,288 S 7/2008 Neoh et al.
 D576,651 S 9/2008 Willis et al.
 D576,652 S 9/2008 Willis
 D576,653 S 9/2008 Malthouse
 D583,845 S 12/2008 Hayashi et al.
 D597,117 S * 7/2009 Yamane D16/203
 D604,350 S 11/2009 Fuji et al.
 D610,725 S 2/2010 Georgitsis et al.
 D627,636 S * 11/2010 Fang D9/429
 D629,683 S * 12/2010 Fang D9/429
 D636,805 S * 4/2011 Anneback D16/203
 D639,843 S * 6/2011 Zeinoun D16/203
 D644,924 S * 9/2011 Lin D9/429
 D649,175 S 11/2011 Willis
 D679,308 S 4/2013 Park et al.
 8,408,764 B2 4/2013 Chung et al.
 D684,048 S * 6/2013 Hodge D9/429
 D685,631 S * 7/2013 Rapparini D9/429
 D697,241 S 1/2014 Chen
 D704,365 S 5/2014 Adams
 D716,863 S 11/2014 Zutell
 D716,985 S 11/2014 Jones
 D736,617 S * 8/2015 Sy D9/429
 D749,352 S * 2/2016 Saber D7/376
 D753,752 S * 4/2016 Ahman D16/203
 D757,835 S 5/2016 Tabuchi
 D776,739 S 1/2017 Urashima
 D806,157 S 12/2017 Marszalek, III et al.
 2003/0117809 A1 6/2003 Jong

AXIS Q8721-E Dual PTZ Network Camera <<http://www.axis.com/us/en/products/axis-q8721-e>> webpage accessed Dec. 18, 2015.
 Ship video camera/ night vision/ thermal/ fixed JM612-TM LeadEx System Company Limited <<http://www.nauticexpo.com/prod/leadex-system-company-limited/product-32508-220816.html>> webpage accessed Dec. 18, 2015.
 MIC Series 550 Camera, Product Fact Sheet, Bosch Security, Apr. 26, 2013, Retrieved from Internet <URL: http://stna.resource.bosch.com/documents/MIC_Series_550_Data_sheet_enUS_18014400835618955.pdf> 8 pages.
 MIC Series 400 Stainless Steel Camera, Product Fact Sheet, Bosch Security, Apr. 26, 2013, Retrieved from Internet <URL: http://stna.resource.bosch.com/documents/MIC_400_Series_Data_sheet_enUS_2307654283.pdf> 5 pages.
 MIC Series 412TI Thermal Camera, Product Fact Sheet, Bosch Security, Jun. 11, 2012, Retrieved from Internet <URL: http://stna.resource.bosch.com/documents/Data_sheet_enUS_2317502987.pdf> 6 pages.
 MIC Series 440 Explosion-Protected Camera, Product Fact Sheet, Bosch Security, May 13, 2013, Retrieved from Internet <URL: http://stna.resource.bosch.com/documents/MIC_Series_440_Data_sheet_enUS_2322412683.pdf> 6 pages.
 MIC Series 550 Infrared Camera, Product Fact Sheet, Bosch Security, Apr. 26, 2013, Retrieved from Internet <URL: http://stna.resource.bosch.com/documents/MIC_Series_550_IR_Data_sheet_enUS_18014400835923979.pdf> 8 pages.
 MIC Series 612 Thermal Camera, Product Fact Sheet, Bosch Security, Jun. 21, 2013, Retrieved from Internet <URL: http://stna.resource.bosch.com/documents/MIC_Series_612_Data_sheet_enUS_7880732043.pdf> 9 pages.

* cited by examiner

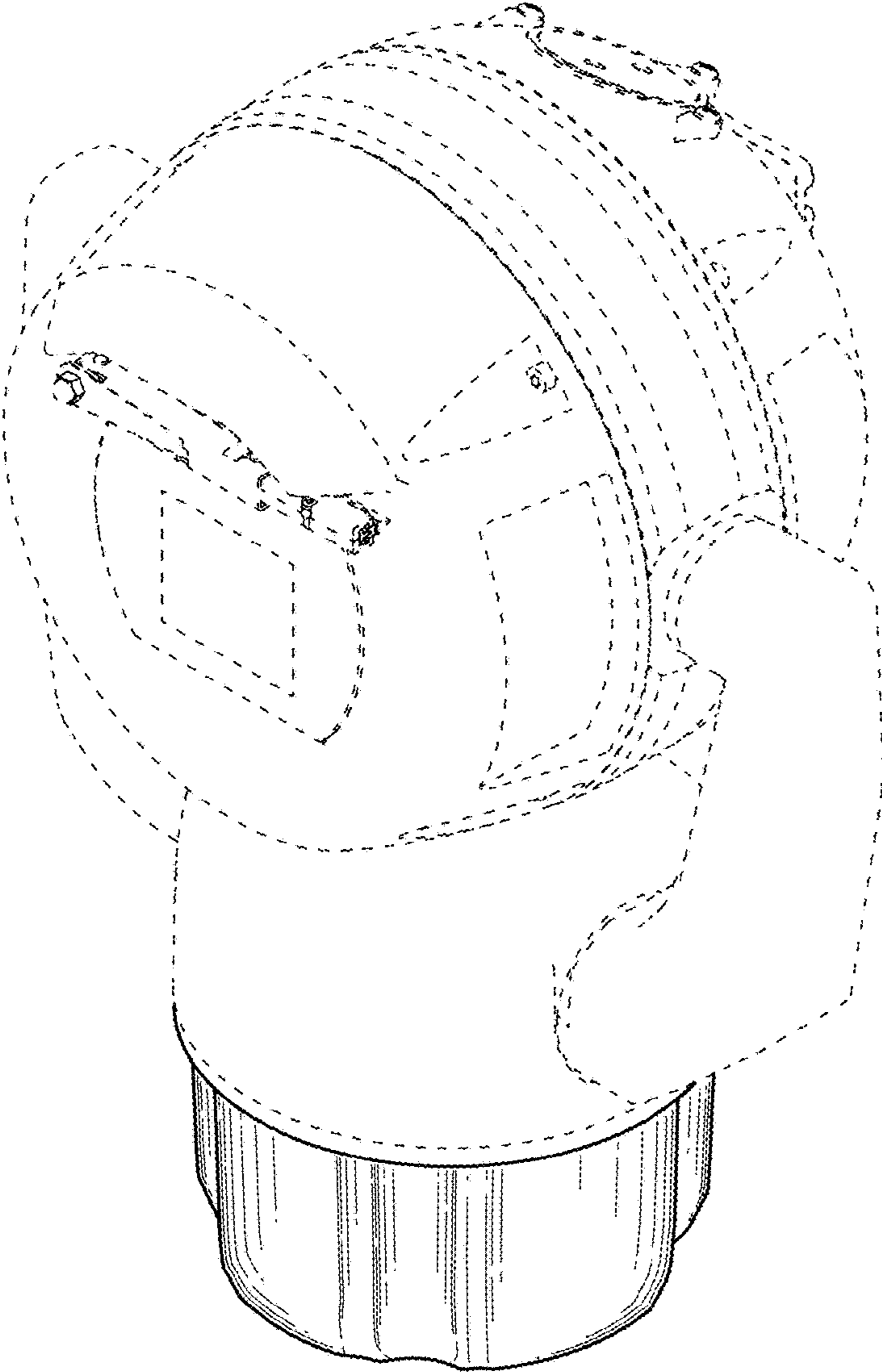


FIG. 1

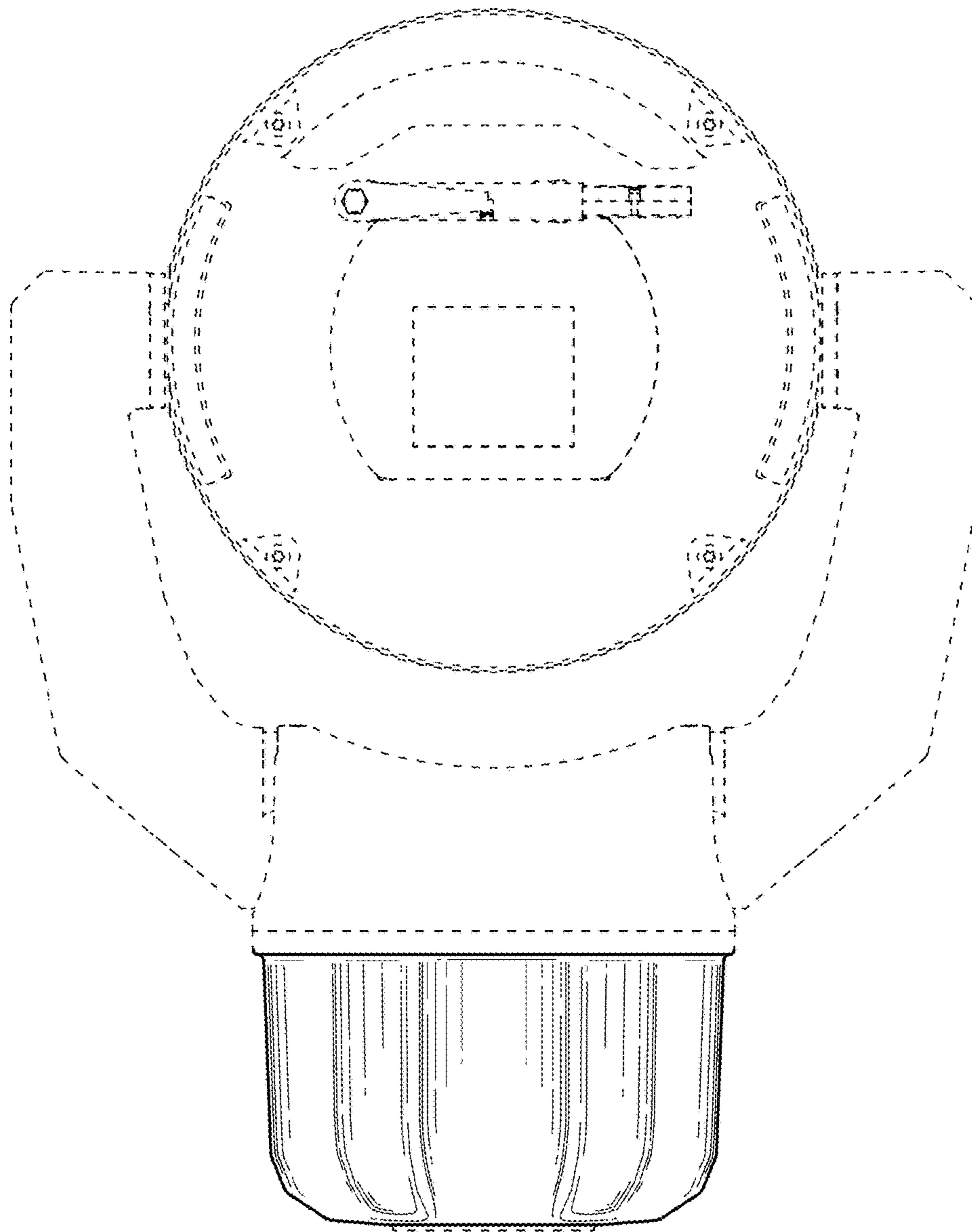


FIG. 2

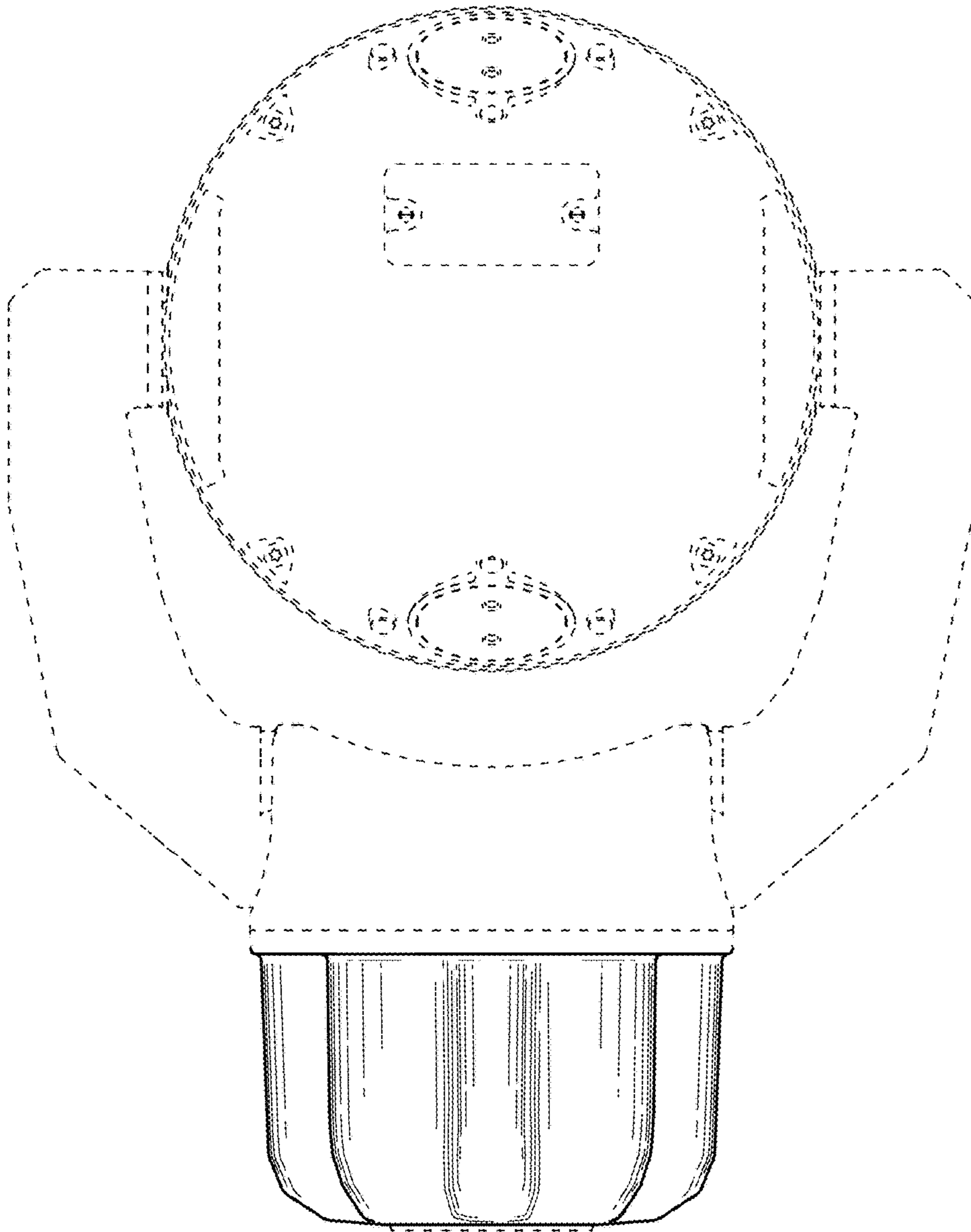


FIG. 3

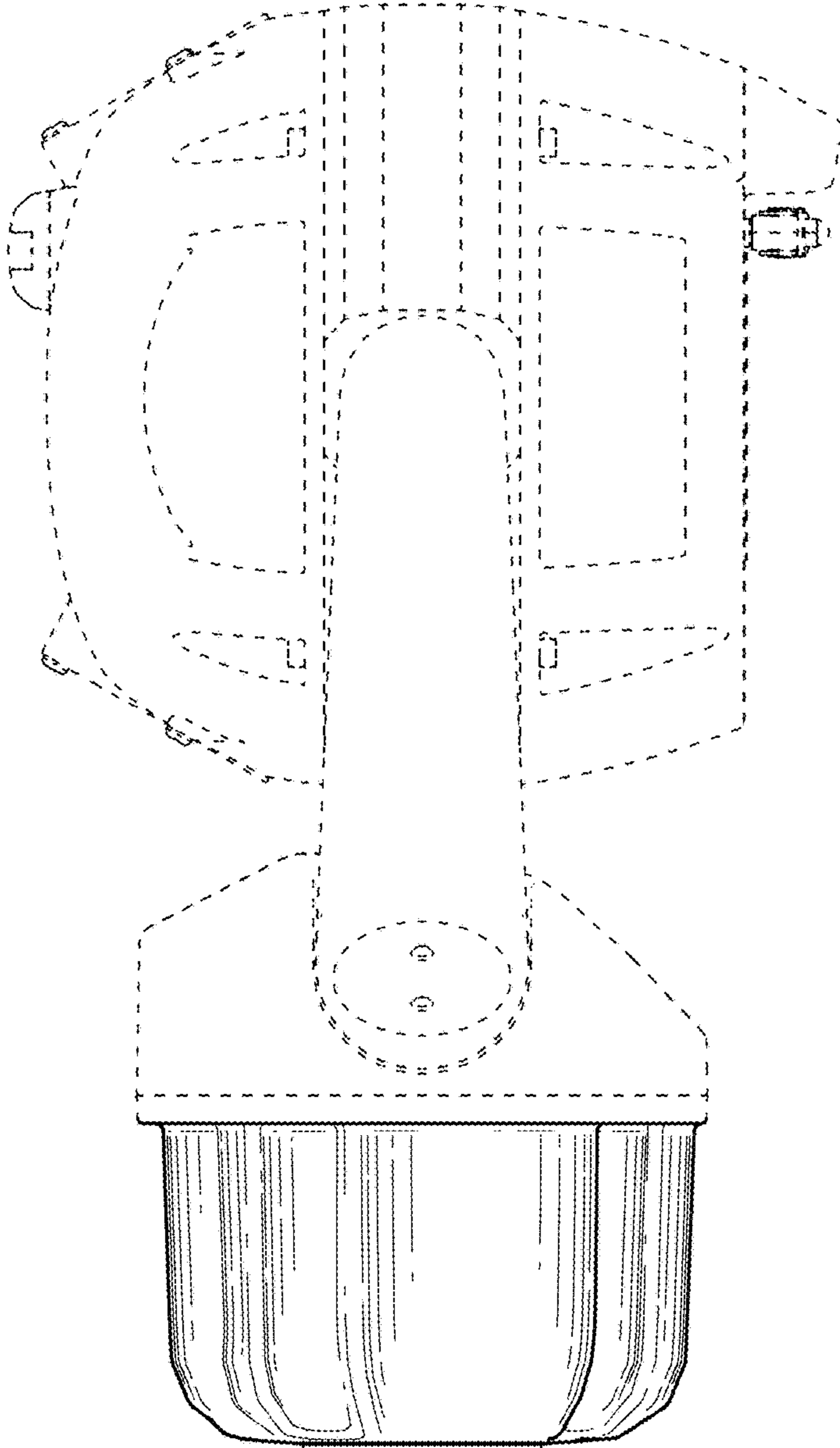


FIG. 4

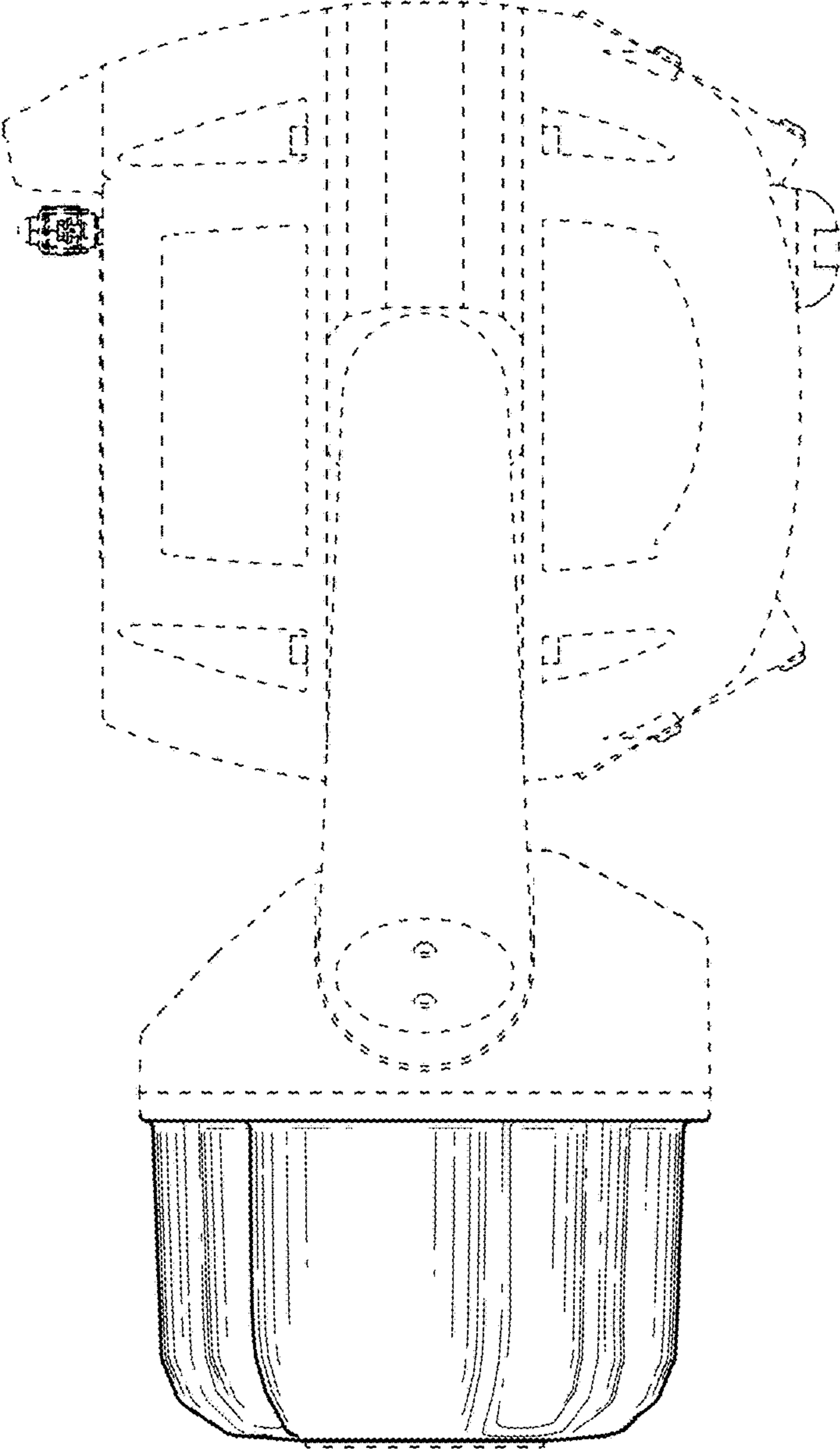


FIG. 5

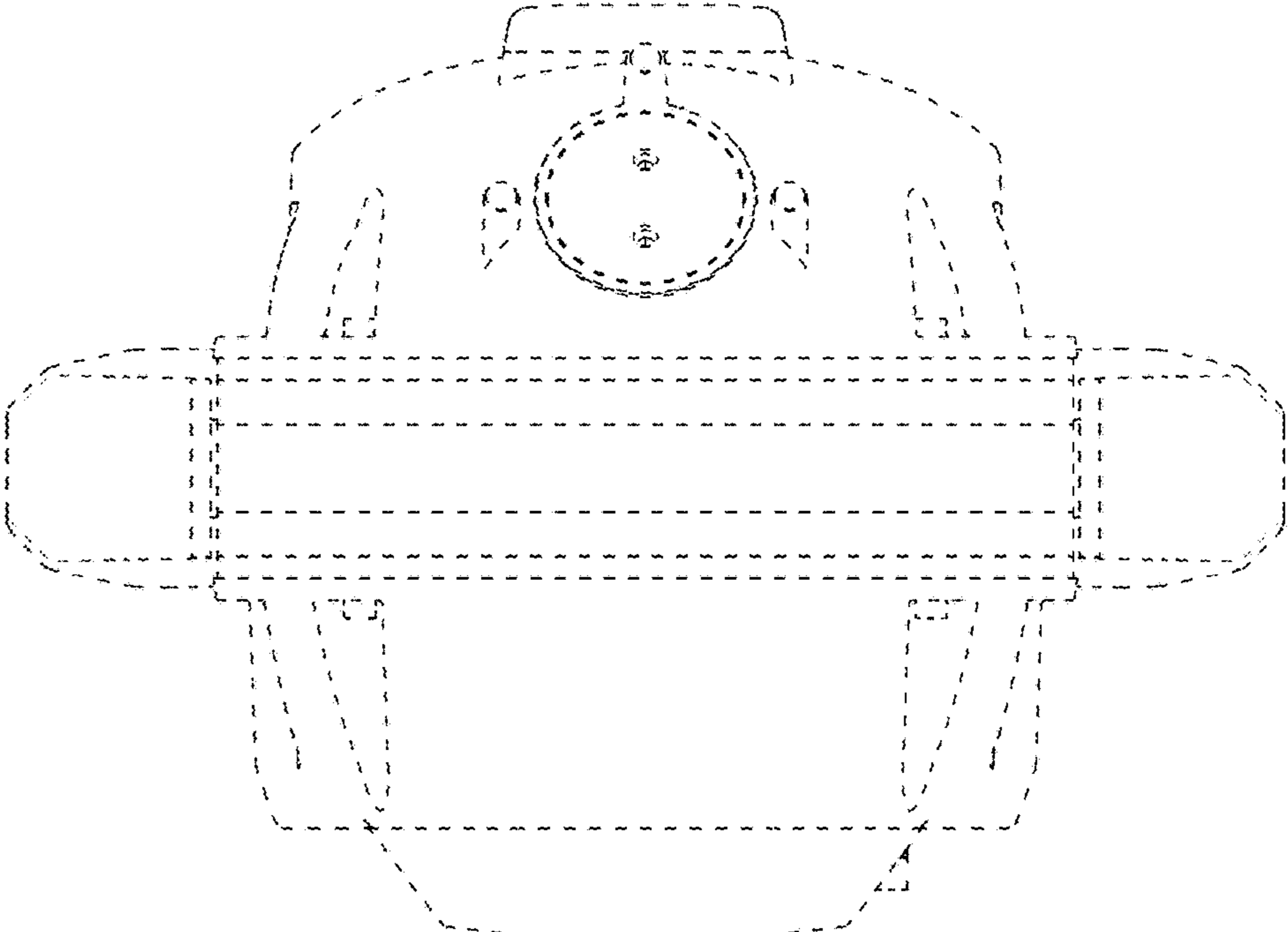


FIG. 6

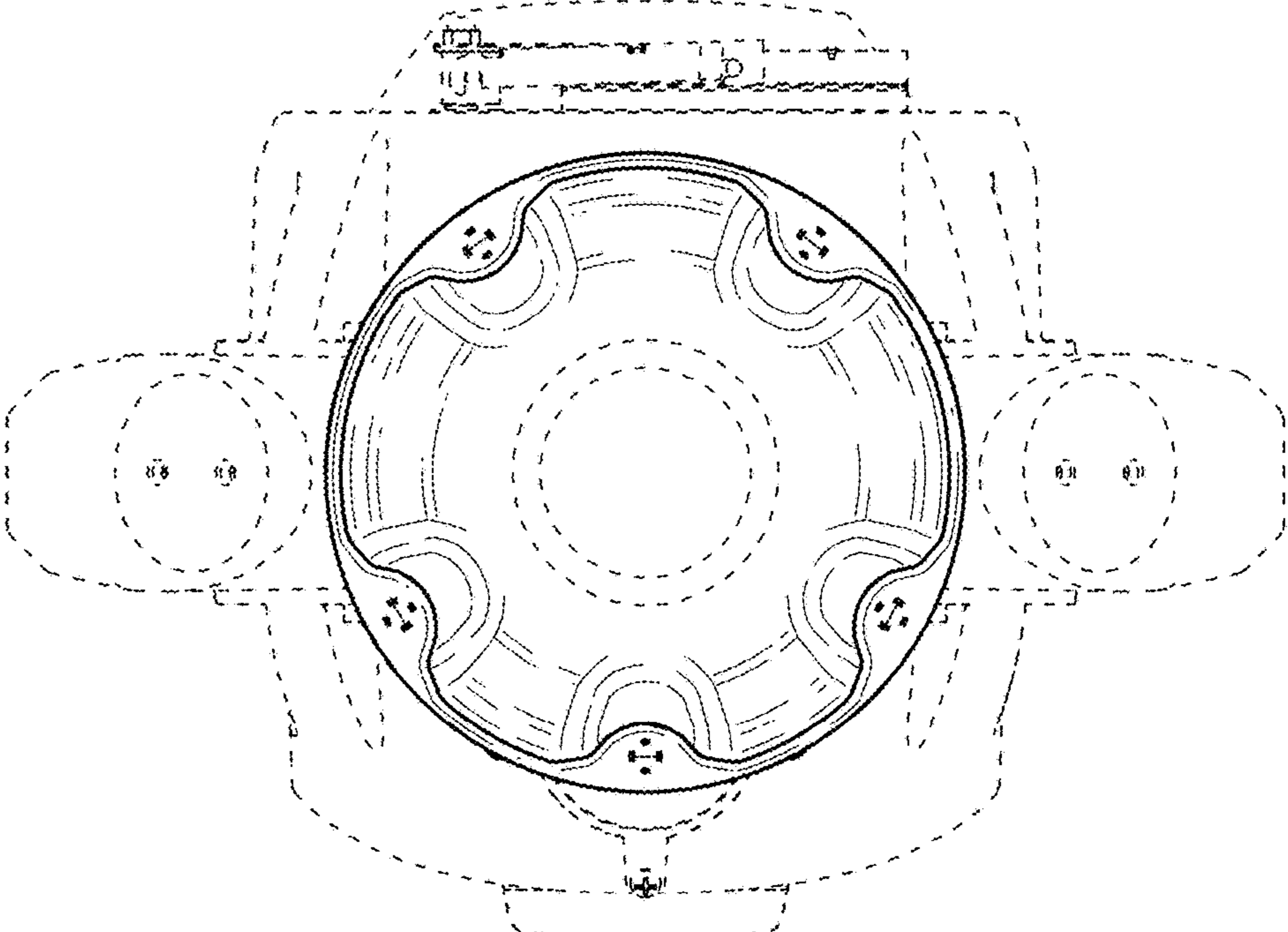


FIG. 7