



US00D851156S

(12) **United States Design Patent**
Pandya et al.

(10) **Patent No.:** **US D851,156 S**
(45) **Date of Patent:** **** Jun. 11, 2019**

- (54) **VIDEO ANALYTICS DEVICE**
- (71) Applicant: **NetraDyne, Inc.**, San Diego, CA (US)
- (72) Inventors: **Sandeep Pandya**, San Diego, CA (US);
Adam David Kahn, San Diego, CA (US); **Lance Steven Hetherington**, Encinitas, CA (US); **Michael Campos**, La Jolla, CA (US); **David Jonathan Julian**, San Diego, CA (US); **Tejeswara Rao Gudena**, Bangaluru (IN); **Avneesh Agrawal**, Bangaluru (IN)
- (73) Assignee: **NetraDyne, Inc.**, San Diego, CA (US)
- (**) Term: **15 Years**
- (21) Appl. No.: **29/624,165**
- (22) Filed: **Oct. 30, 2017**
- (51) **LOC (11) Cl.** **16-05**
- (52) **U.S. Cl.**
USPC **D16/219; D16/218**
- (58) **Field of Classification Search**
USPC D16/200, 202–204, 208, 210, 218, 219;
D12/187–189, 400; 340/932.2, 933, 937;
348/143, 148, 151, 360, 373–376;
396/419, 427–429, 433, 529, 535,
396/539–541
CPC G03B 15/03; G03B 17/02; G03B 17/04;
G03B 17/48; G03B 17/56; G03B 19/04;
G08G 1/0175; H04N 5/2251; H04N
5/2252; H04N 5/2253; H04N 5/2254
See application file for complete search history.

- D694,797 S 12/2013 Parker
- D705,337 S 5/2014 Tani
- D724,642 S 3/2015 Cho
- D748,711 S 2/2016 Roth et al.
- D751,622 S 3/2016 Mao et al.
- D775,679 S * 1/2017 Klein D16/202
- D785,067 S 4/2017 Ramones et al.
- D788,834 S 6/2017 Bhattacharya et al.

(Continued)

OTHER PUBLICATIONS

Huff, Aaron, “NetraDyne uses artificial intelligence in new driver safety platform” CCJDigital.com, Sep. 15, 2016, Available at <<https://www.ccdigital.com/netradyne-brings-artificial-intelligence-to-video-driver-safety-platform/>>.

(Continued)

Primary Examiner — Ramzi S Almatrahi
(74) *Attorney, Agent, or Firm* — Sterne, Kessler, Goldstein & Fox P.L.L.C.

(57) **CLAIM**

The ornamental design for a video analytics device, as shown and described.

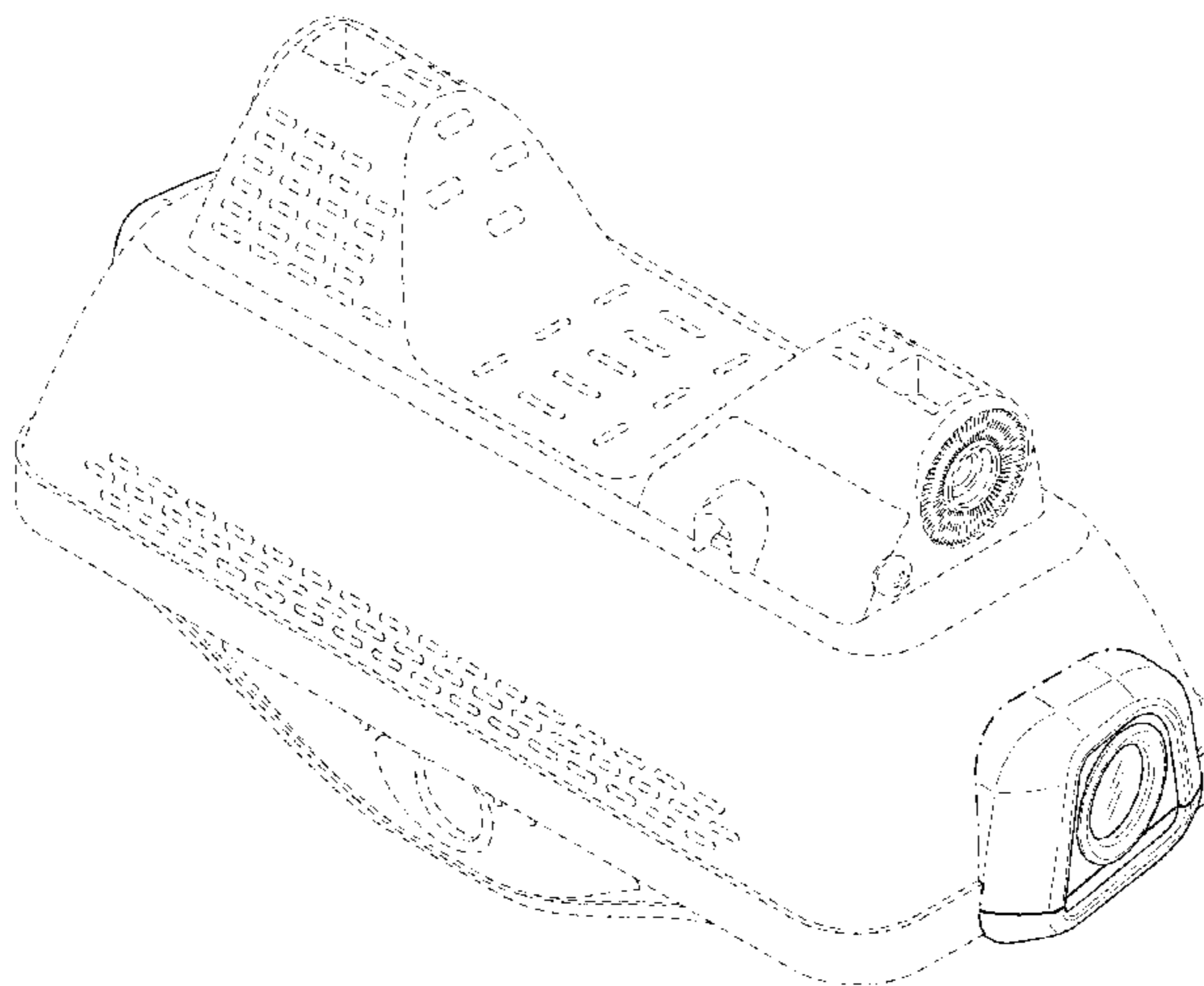
DESCRIPTION

FIG. 1 is a top front perspective view of a video analytics device showing the claimed design;
FIG. 2 is a front view thereof;
FIG. 3 is a rear view thereof;
FIG. 4 is a left side view thereof;
FIG. 5 is a right side view thereof;
FIG. 6 is a top view thereof; and,
FIG. 7 is a bottom view thereof.

The broken lines depict portions of the video analytics device in which the design is embodied that form no part of the claimed design. Additionally, the dash-dot lines denote the boundary of the claim and form no part of the claimed design.

1 Claim, 6 Drawing Sheets

- (56) **References Cited**
U.S. PATENT DOCUMENTS
D455,164 S 4/2002 Tsang et al.
6,637,952 B2 10/2003 Arbuckle et al.
D518,842 S 4/2006 Hilborn et al.
D624,106 S 9/2010 Cho et al.



(56)

References Cited

U.S. PATENT DOCUMENTS

D795,940 S	8/2017	Huang	
D800,201 S *	10/2017	Song	D16/202
D813,925 S *	3/2018	Park	D16/203
D816,145 S *	4/2018	Martin	D16/218
D819,111 S *	5/2018	Singh	D16/218
D820,894 S *	6/2018	Tang	D16/202
D820,897 S *	6/2018	Rusz	D16/203
D828,430 S *	9/2018	Pandya	D16/218
D831,090 S *	10/2018	Ahman	D16/203

OTHER PUBLICATIONS

Lockridge, Deborah, "NetraDyne Builds Artificial Intelligence into Camera-Based Safety System" Truckinginfo.com, Sep. 15, 2016, Available at <<http://www.truckinginfo.com/news/story/2016/09/netradyne-builds-artificial-intelligence-into-camera-based-safety-system.aspx>>.

* cited by examiner

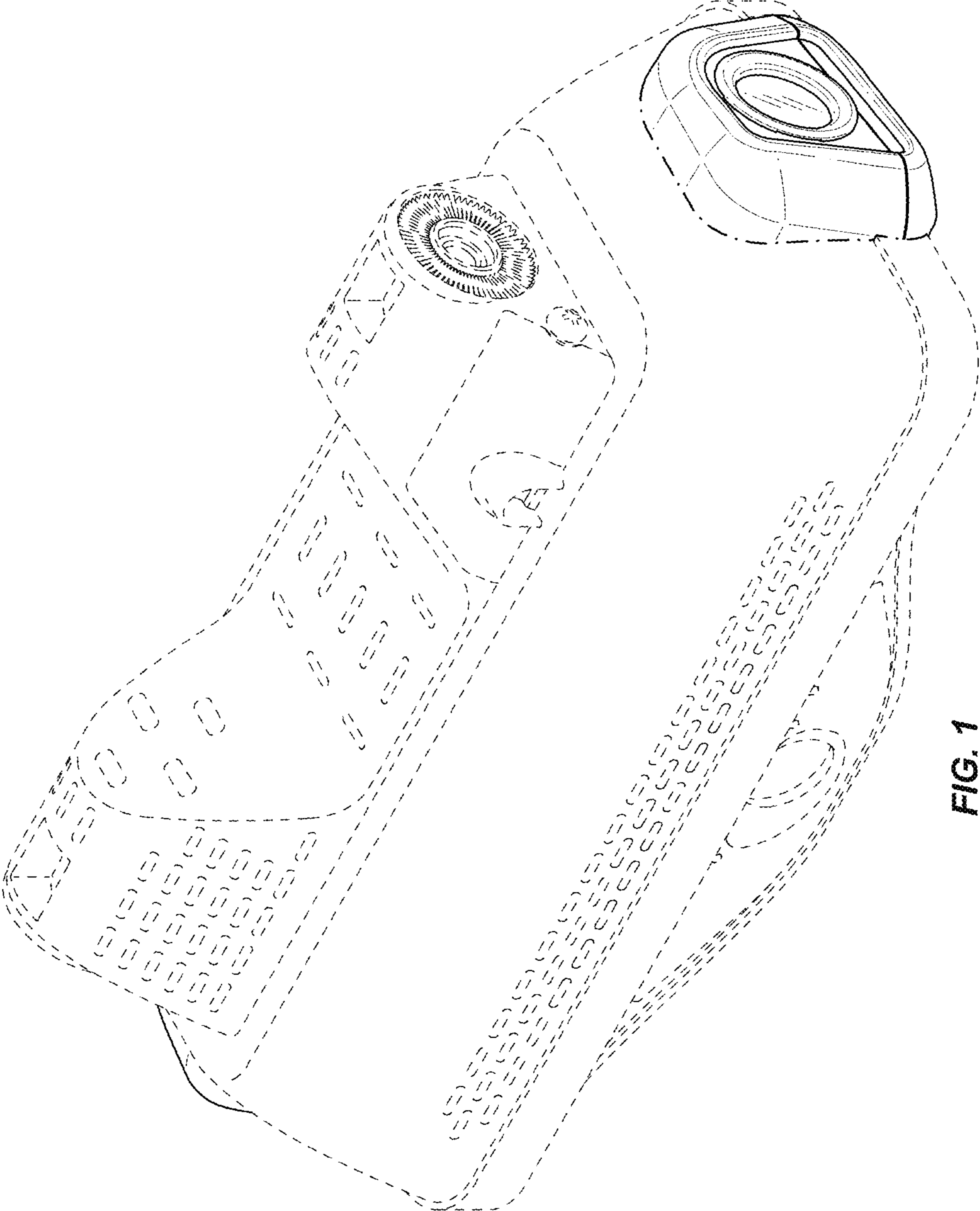


FIG. 1

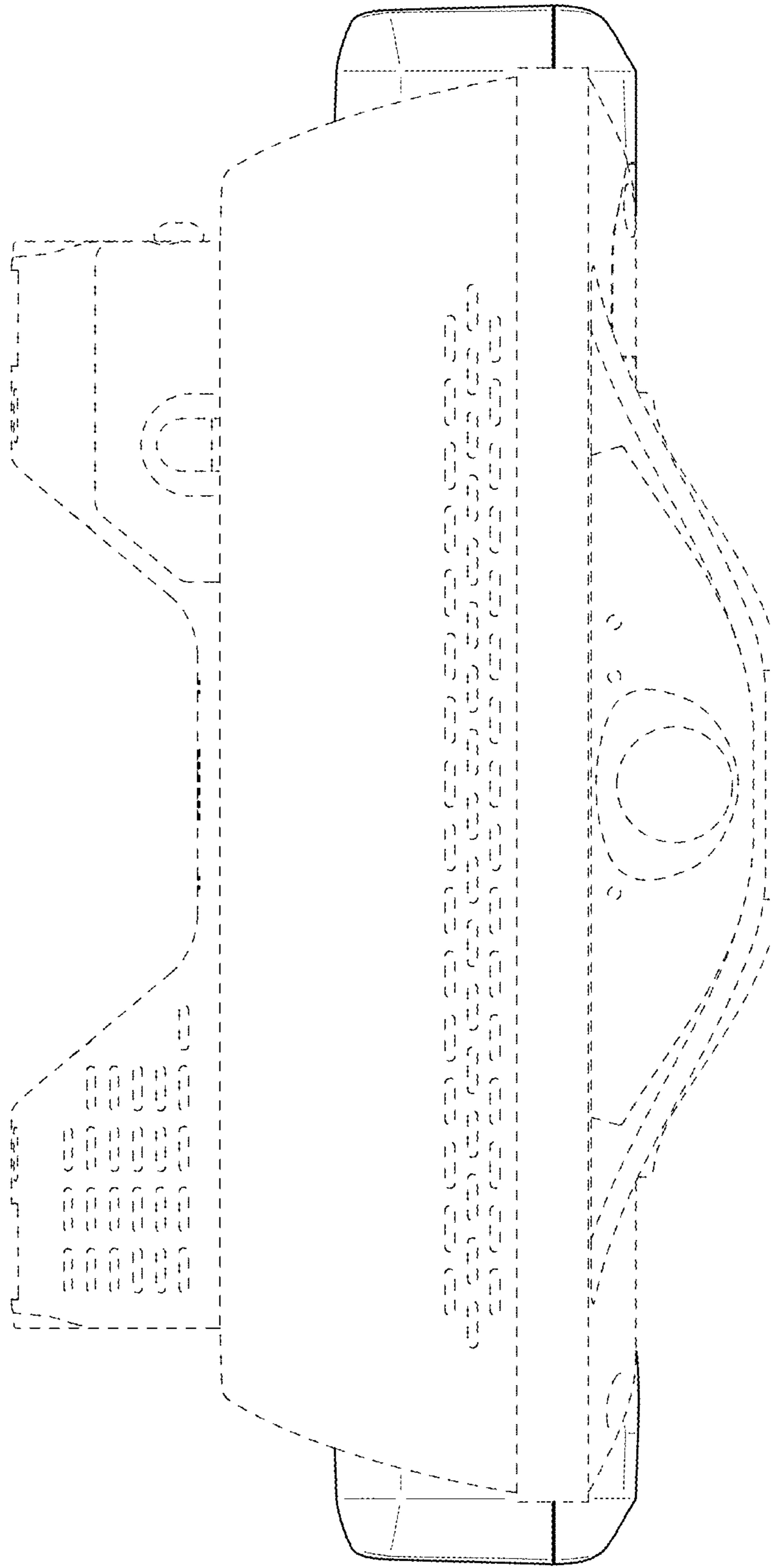


FIG. 2

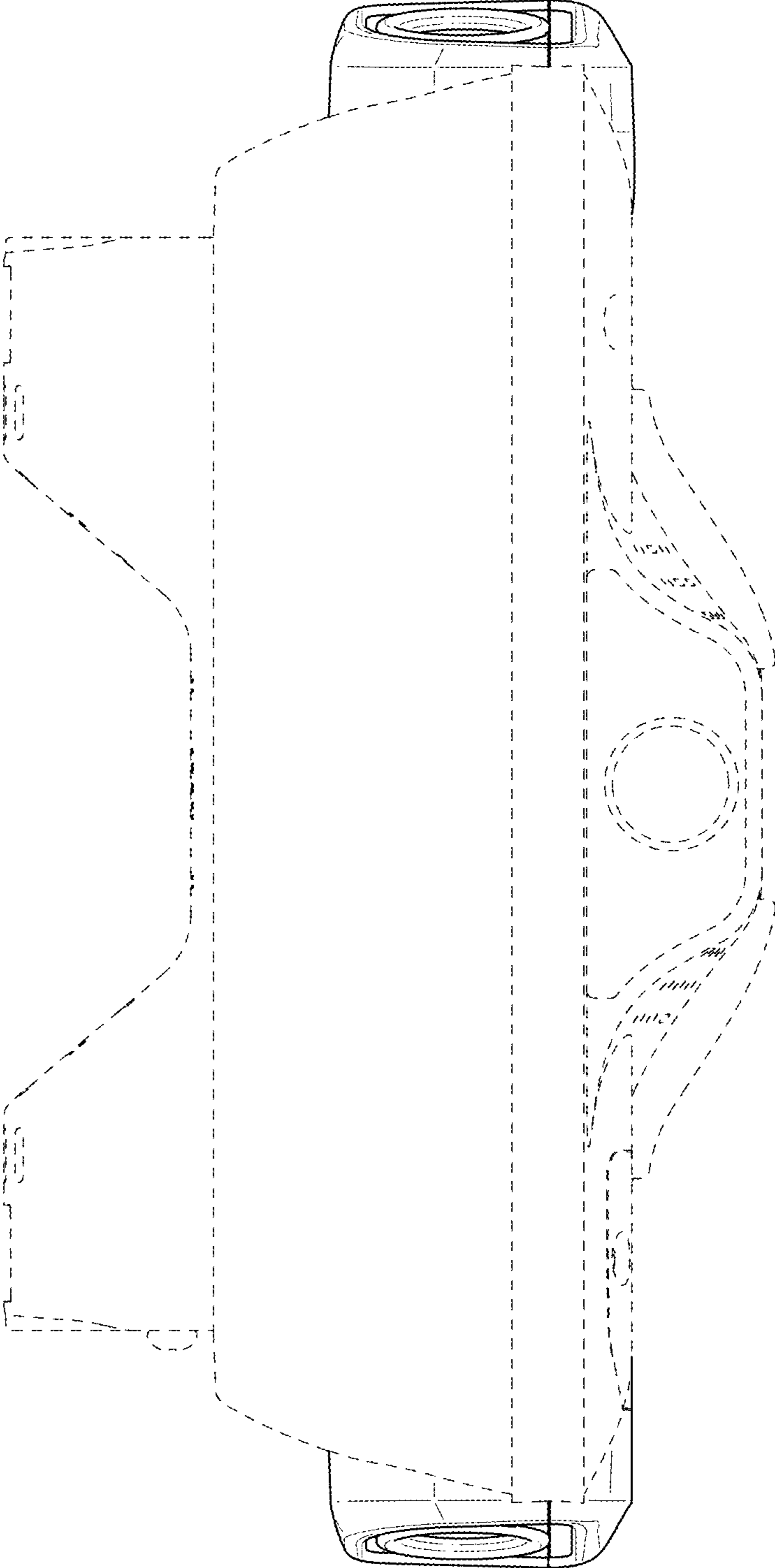


FIG. 3

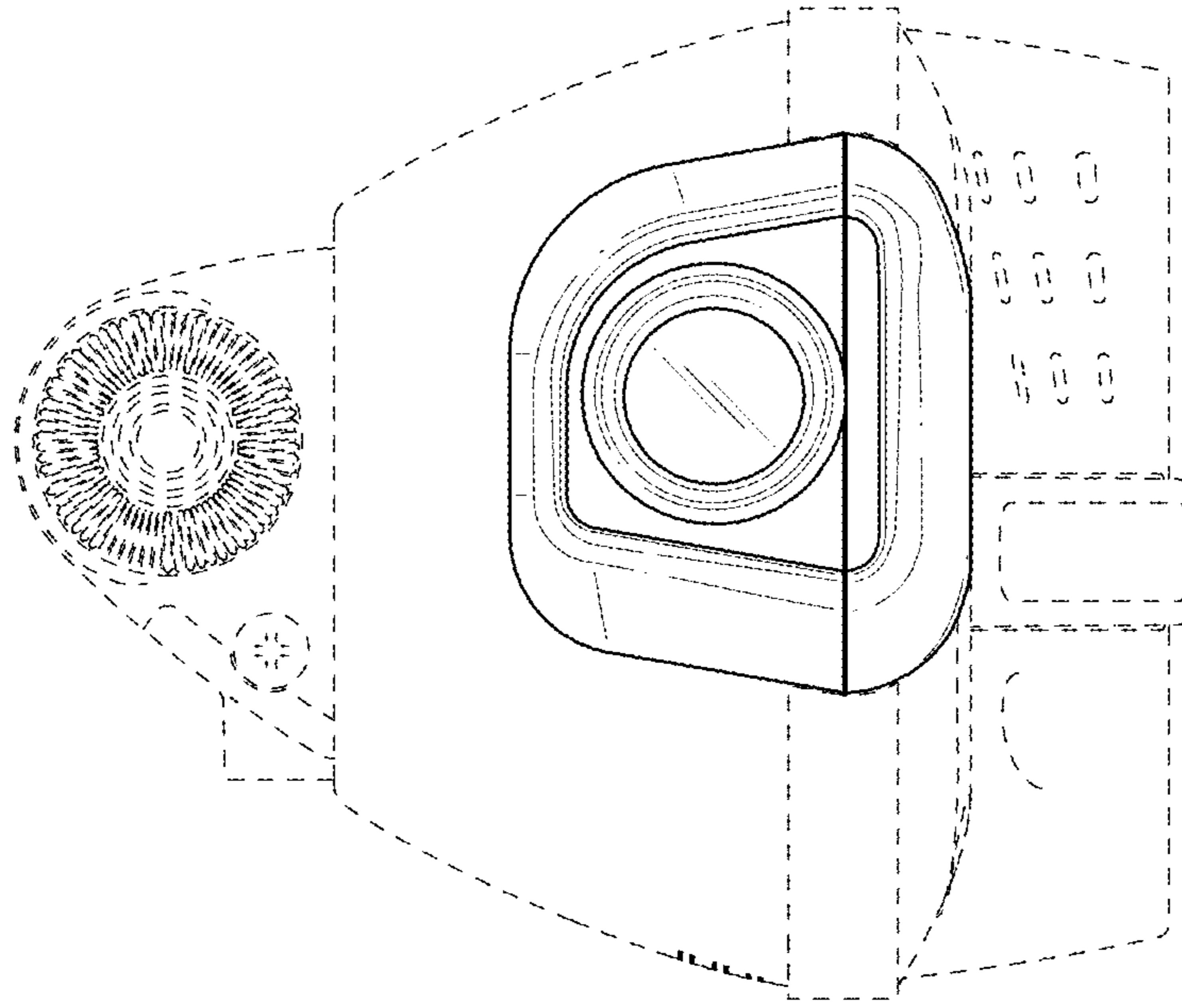


FIG. 4

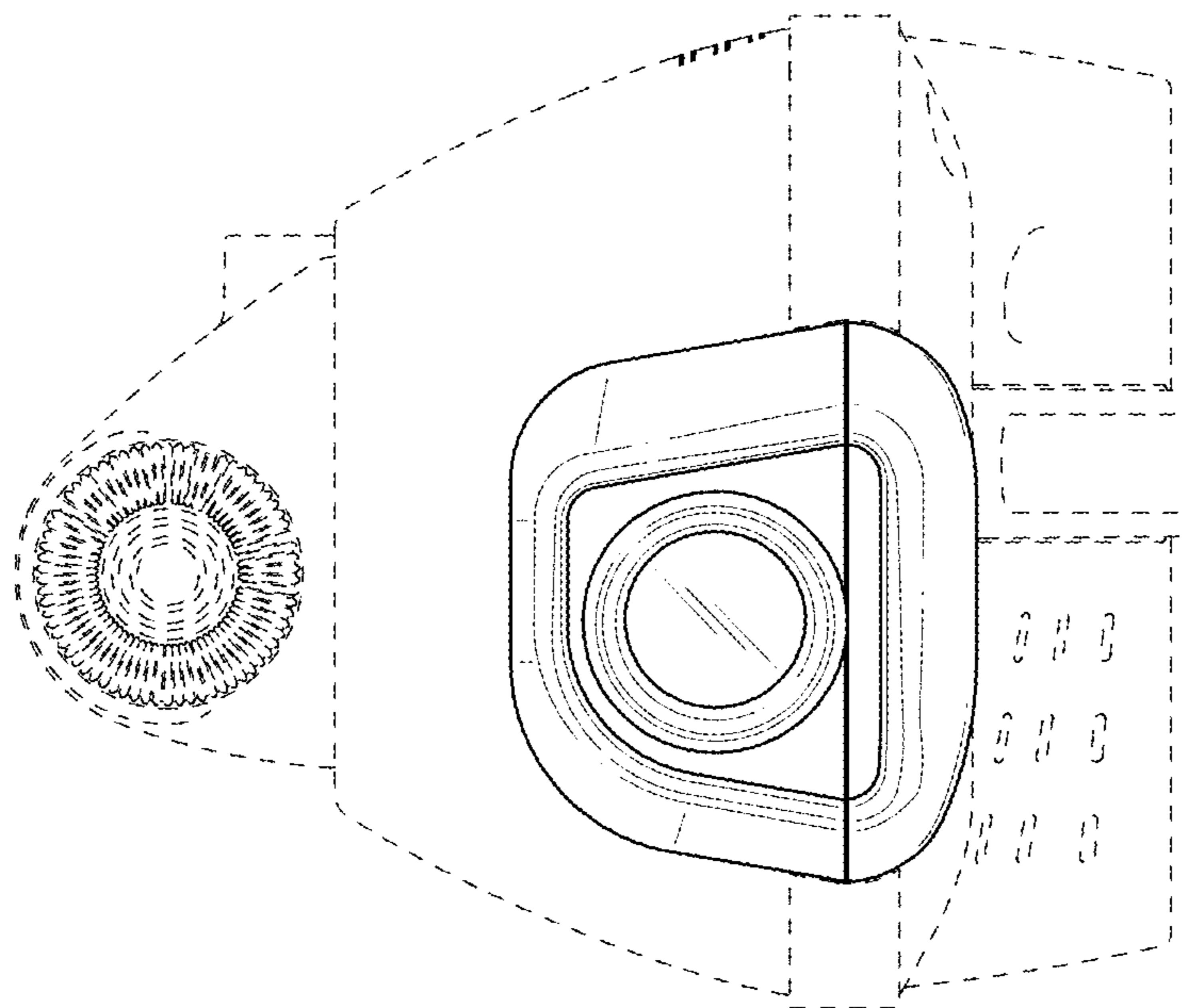


FIG. 5

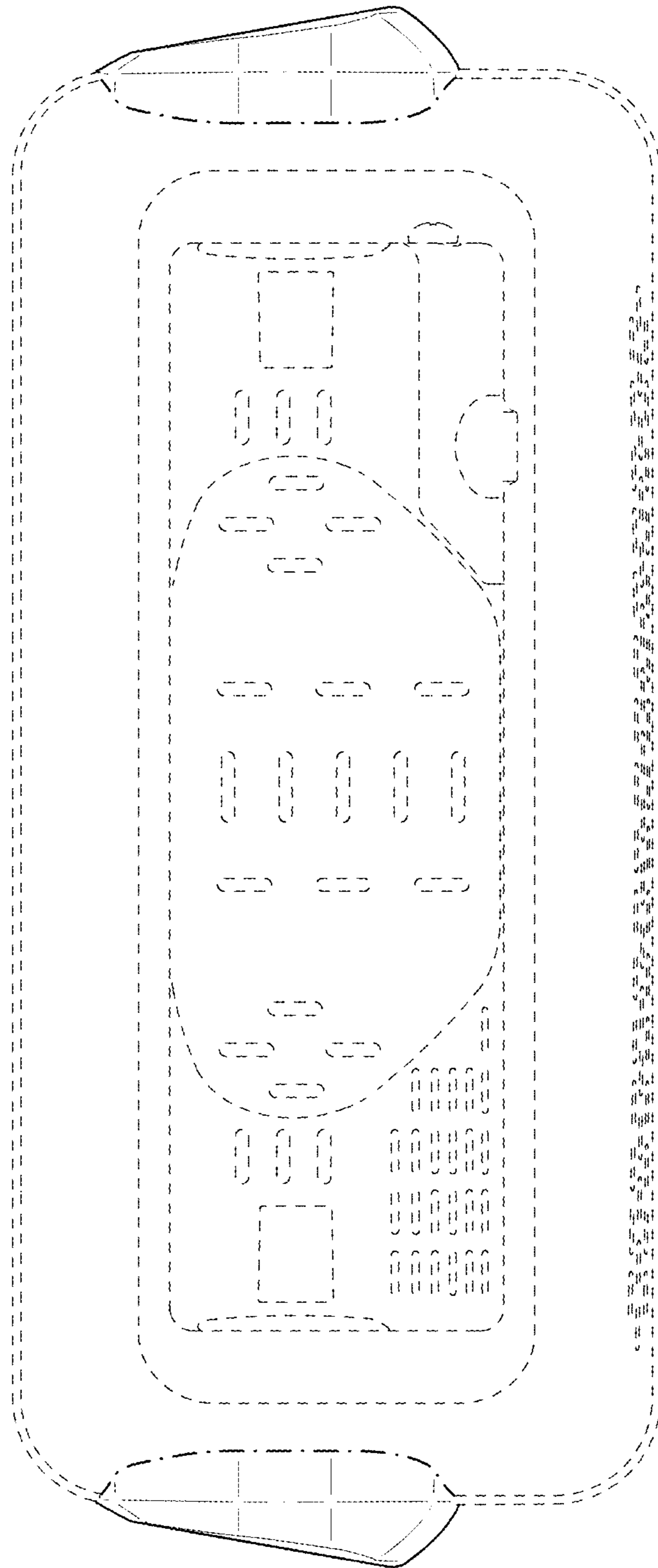


FIG. 6

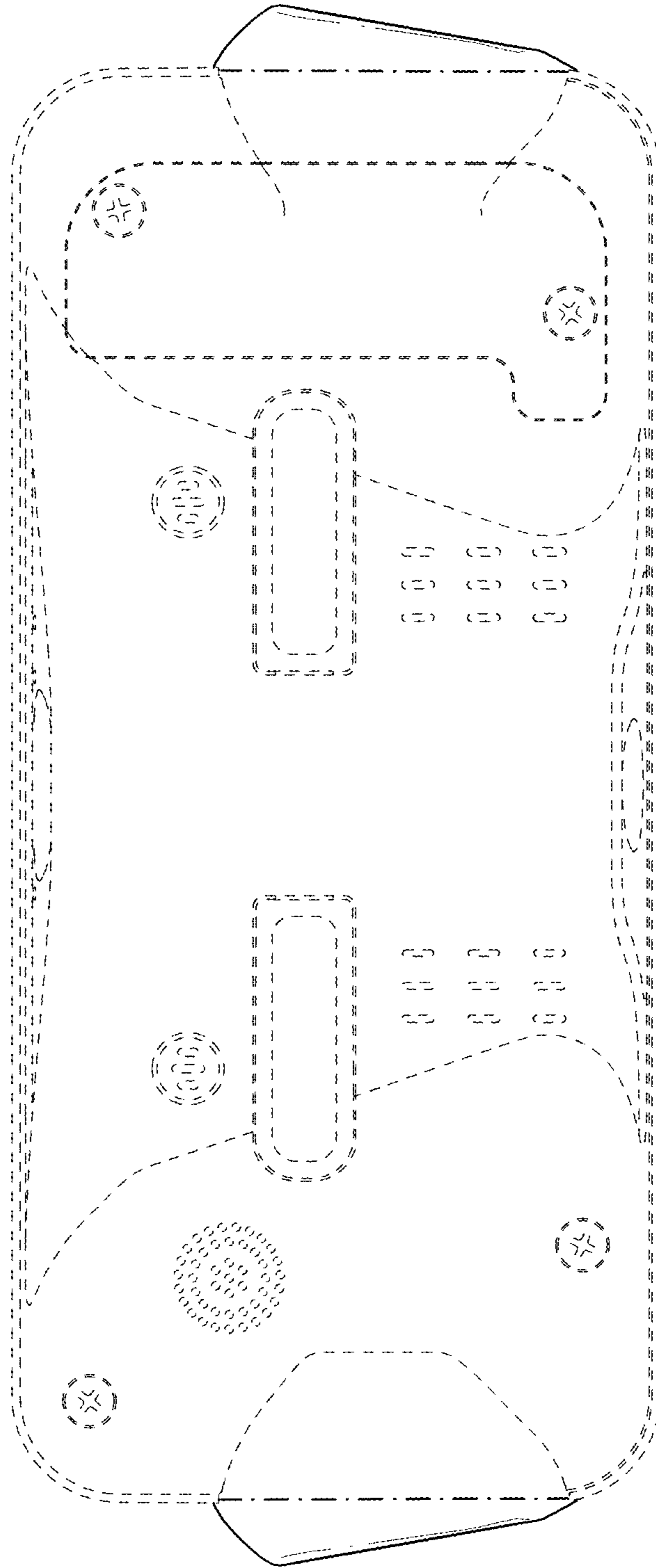


FIG. 7