



US00D851154S

(12) **United States Design Patent**  
**Vigren et al.**

(10) **Patent No.:** **US D851,154 S**  
(45) **Date of Patent:** **\*\* Jun. 11, 2019**

(54) **MONITORING CAMERA**

(71) Applicant: **AXIS AB**, Lund (SE)  
(72) Inventors: **Andres Vigren**, Hollviken (SE); **Louise Wiberg**, Malmo (SE); **Daniel Ahman**, Lomma (SE); **Mathias Walter**, Arlov (SE); **Mikael Adervall**, Klagshamn (SE); **Morten Bergstrom**, Bjarred (SE); **Rasmus Anderberg**, Malmo (SE); **Mats-Ake Ekbladh**, Bjarred (SE)

(73) Assignee: **AXIS AB**, Lund (SE)

(\*\*) Term: **15 Years**

(21) Appl. No.: **29/603,495**

(22) Filed: **May 10, 2017**

**Related U.S. Application Data**

(62) Division of application No. 29/567,208, filed on Jun. 7, 2016.

(30) **Foreign Application Priority Data**

Dec. 10, 2015 (EM) ..... 002904540-0001  
Dec. 10, 2015 (EM) ..... 002904540-0002  
(Continued)

(51) **LOC (11) Cl.** ..... **16-01**

(52) **U.S. Cl.**  
USPC ..... **D16/203**

(58) **Field of Classification Search**  
USPC ..... D14/130, 144, 132; D16/200–220, 242, D16/238; D26/24, 36, 72, 79, 123;  
(Continued)

(56) **References Cited**

**U.S. PATENT DOCUMENTS**

D177,313 S \* 4/1956 Davis ..... D10/50  
D368,041 S 3/1996 Skog  
(Continued)

**FOREIGN PATENT DOCUMENTS**

CN 303083048 \* 1/2015  
CN 303842632 \* 9/2016

(Continued)

**OTHER PUBLICATIONS**

“AXIS Communications, AXIS M10 Network Camera Series, 4 pages, Jan. 2014/”.

(Continued)

*Primary Examiner* — Barbara Fox

*Assistant Examiner* — Mary C Ramirez

(74) *Attorney, Agent, or Firm* — Volpe and Koenig, P.C.

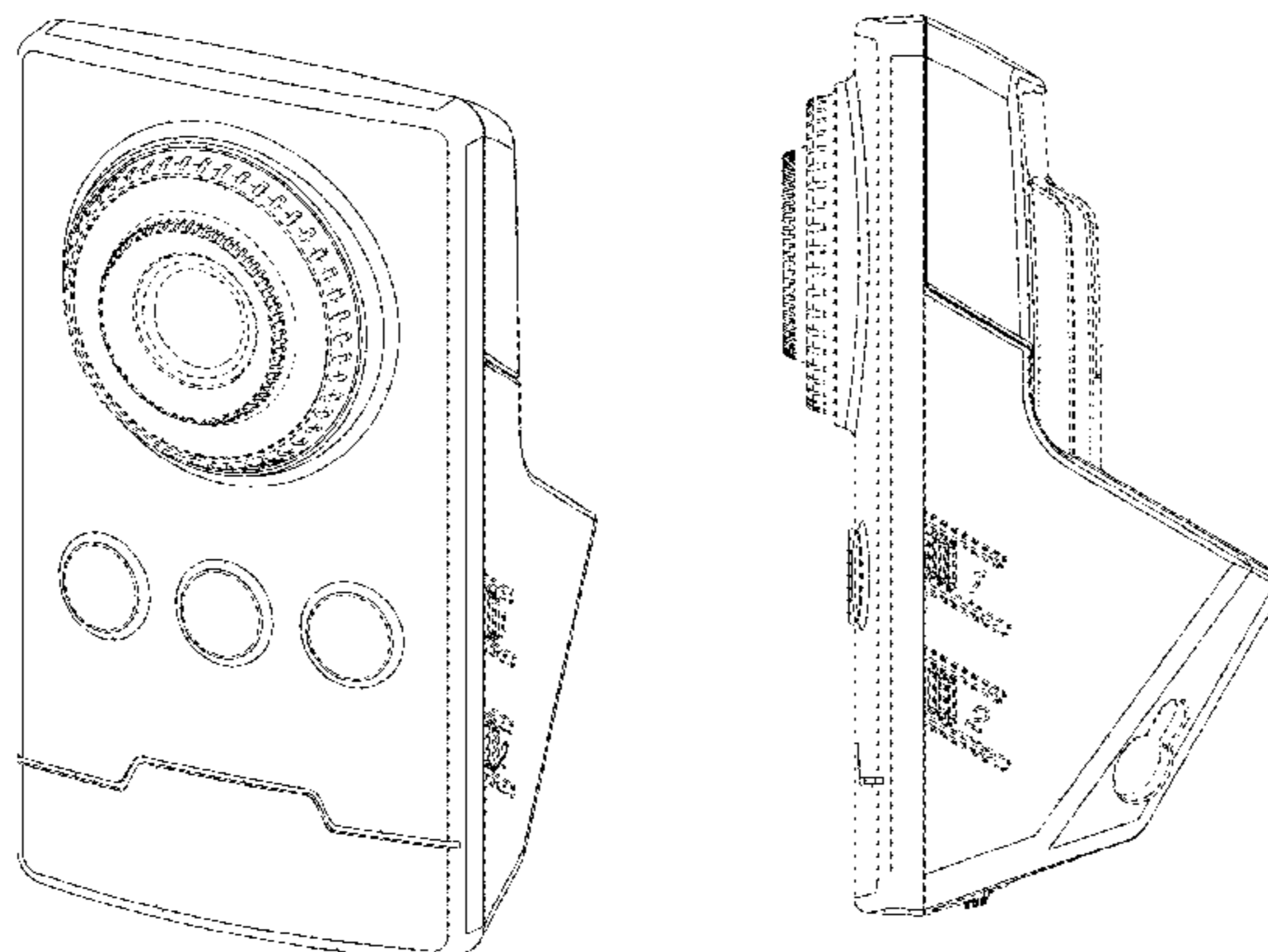
(57) **CLAIM**

The ornamental design for a monitoring camera, as shown and described.

**DESCRIPTION**

FIG. 1 is a front right perspective view of a first embodiment of a monitoring camera showing our new design;  
FIG. 2 is a front elevational view thereof;  
FIG. 3 is a left side view thereof;  
FIG. 4 is a right side view thereof;  
FIG. 5 is a bottom view thereof;  
FIG. 6 is a top view thereof;  
FIG. 7 is a rear elevational view thereof;  
FIG. 8 is a front right perspective view of a second embodiment of a monitoring camera showing our new design;  
FIG. 9 is a front elevational view thereof;  
FIG. 10 is a left side view thereof;  
FIG. 11 is a right side view thereof;  
FIG. 12 is a bottom view thereof;  
FIG. 13 is a top plan view thereof; and,  
FIG. 14 is a rear elevational view thereof.  
The broken lines shown in the drawings depict portions of the monitoring camera that form no part of the claimed design.

**1 Claim, 12 Drawing Sheets**



(30) **Foreign Application Priority Data**

Dec. 10, 2015 (EM) ..... 002904540-0003  
 Dec. 10, 2015 (EM) ..... 002904540-0004

(58) **Field of Classification Search**

USPC ..... D10/104.1, 104.2, 106.1, 106.2, 106.5;  
 D9/548, 560, 572, 574, 430, 431;  
 D29/109-110  
 CPC ..... H04N 7/181; H04N 7/183; H04N 7/18;  
 H04N 3/08; H04N 5/23248; H04N  
 5/23287; H04N 5/23258; H04N 5/2251;  
 H04N 5/2252; H04N 2007/145; G01C  
 11/025; G03B 15/00; G03B 15/03; G03B  
 17/56; G03B 17/02; G03B 17/30; G03B  
 17/04; G03B 17/00; G03B 19/04; G03B  
 3/00; B60R 1/00; B60R 2300/105; G08B  
 13/19619; G08B 13/1963; G08B  
 13/19632; F16M 11/04; F16M 13/00;  
 Y02E 60/12

See application file for complete search history.

(56) **References Cited**

U.S. PATENT DOCUMENTS

D489,746 S 5/2004 Ogura  
 D518,843 S 4/2006 Tullberg et al.  
 D544,009 S 6/2007 Alm et al.  
 D603,440 S 11/2009 Alm et al.  
 D603,887 S 11/2009 Alm et al.  
 D609,727 S 2/2010 Adolfsson et al.  
 D610,178 S 2/2010 Adolfsson et al.  
 D634,039 S 3/2011 Lee  
 D636,007 S 4/2011 Peng  
 D636,424 S 4/2011 Lin  
 D642,607 S 8/2011 Bergstrom et al.

D643,452 S 8/2011 Alm et al.  
 D669,380 S 10/2012 Kong et al.  
 D676,345 S 2/2013 Sterling et al.  
 D697,119 S \* 1/2014 Park ..... D16/202  
 D720,789 S \* 1/2015 Minamide ..... D16/203  
 D736,845 S \* 8/2015 Yilin ..... D16/203  
 D741,285 S 10/2015 Boynton  
 D746,348 S 12/2015 Park et al.  
 D749,665 S \* 2/2016 Jannard ..... D16/237  
 D766,864 S 9/2016 Tani  
 D806,774 S 1/2018 Ahman et al.  
 D815,181 S \* 4/2018 Ahman ..... D16/219  
 D816,144 S \* 4/2018 Vigren ..... D16/203  
 D830,442 S \* 10/2018 Vigren ..... D16/203  
 2017/0168376 A1 \* 6/2017 Adervall ..... G03B 17/561

FOREIGN PATENT DOCUMENTS

TW D142682 9/2011  
 TW D166383 11/2015

OTHER PUBLICATIONS

AXIS Companion Cube L, announced Aug. 9, 2016, [site visited Mar. 29, 2017], Available from Internet, URL: <[https://www.amazon.com/Axis-Communications-0891-001-Companion-Network/dp/Bo1K1JWDCM/ref=sr\\_1\\_1?ie=UTF8&qid=1490797937&sr=8-1&keywords=axis+companion+cube](https://www.amazon.com/Axis-Communications-0891-001-Companion-Network/dp/Bo1K1JWDCM/ref=sr_1_1?ie=UTF8&qid=1490797937&sr=8-1&keywords=axis+companion+cube)>.

AXIS Companion Cube LW2, announced Dec. 13, 2016, [site visited Mar. 29, 2017], Available from Internet, URL: <[https://www.amazon.com/Axis-Companion-Megapixel-Network-Camera/dp/Bo1N4DELG7/ref=sr\\_1\\_2?ie=UTF8&qid=1490797937&sr=8-2&keywords=axis+companion+cube](https://www.amazon.com/Axis-Companion-Megapixel-Network-Camera/dp/Bo1N4DELG7/ref=sr_1_2?ie=UTF8&qid=1490797937&sr=8-2&keywords=axis+companion+cube)>.

AXIS M 1065LW, no date available, [site visited Mar. 29, 2017], Available from Internet, URL: <[http://www.networkwebcams.co.uk/product\\_image.php?products\\_id=2629](http://www.networkwebcams.co.uk/product_image.php?products_id=2629)>.

\* cited by examiner

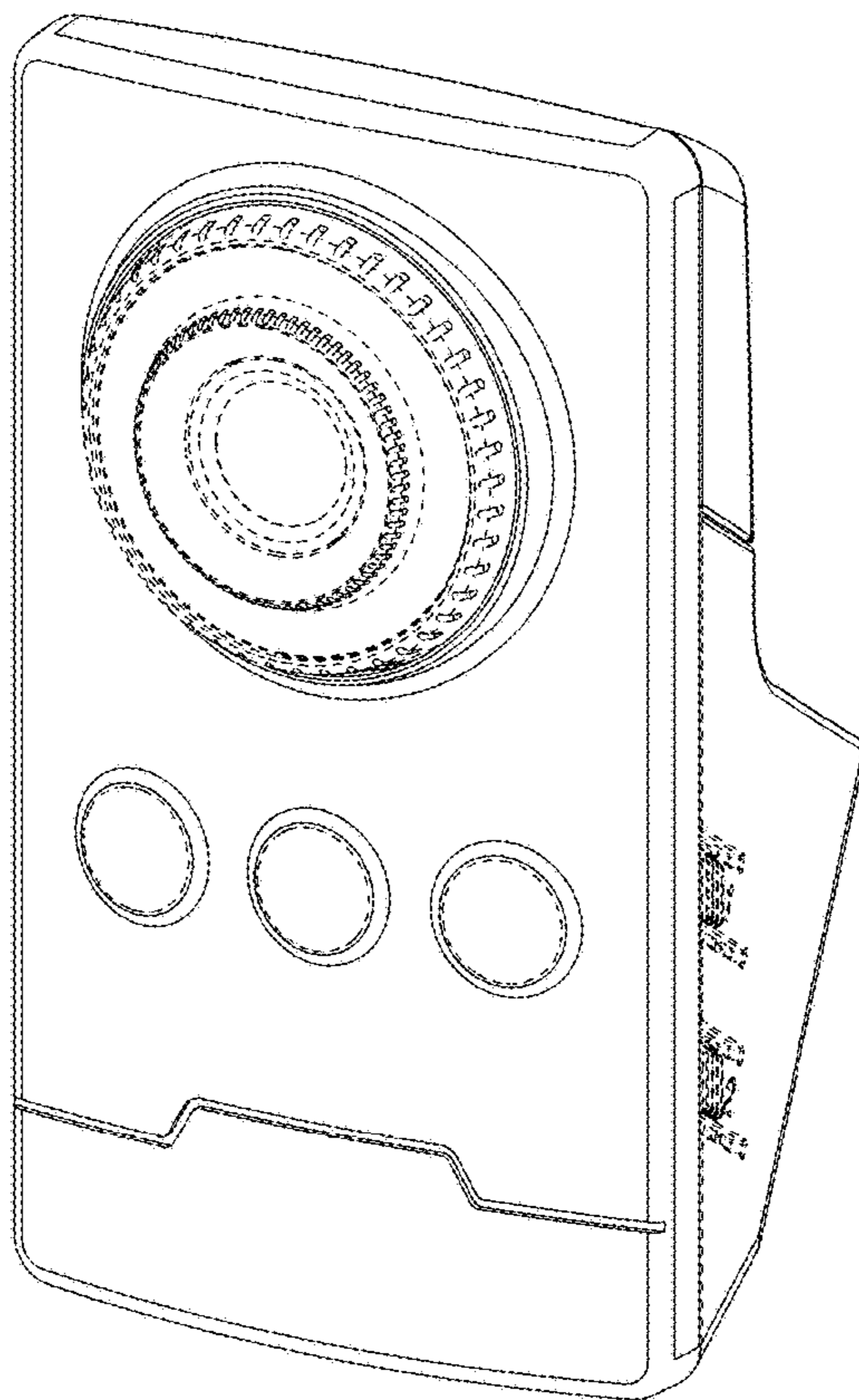


FIG. 1

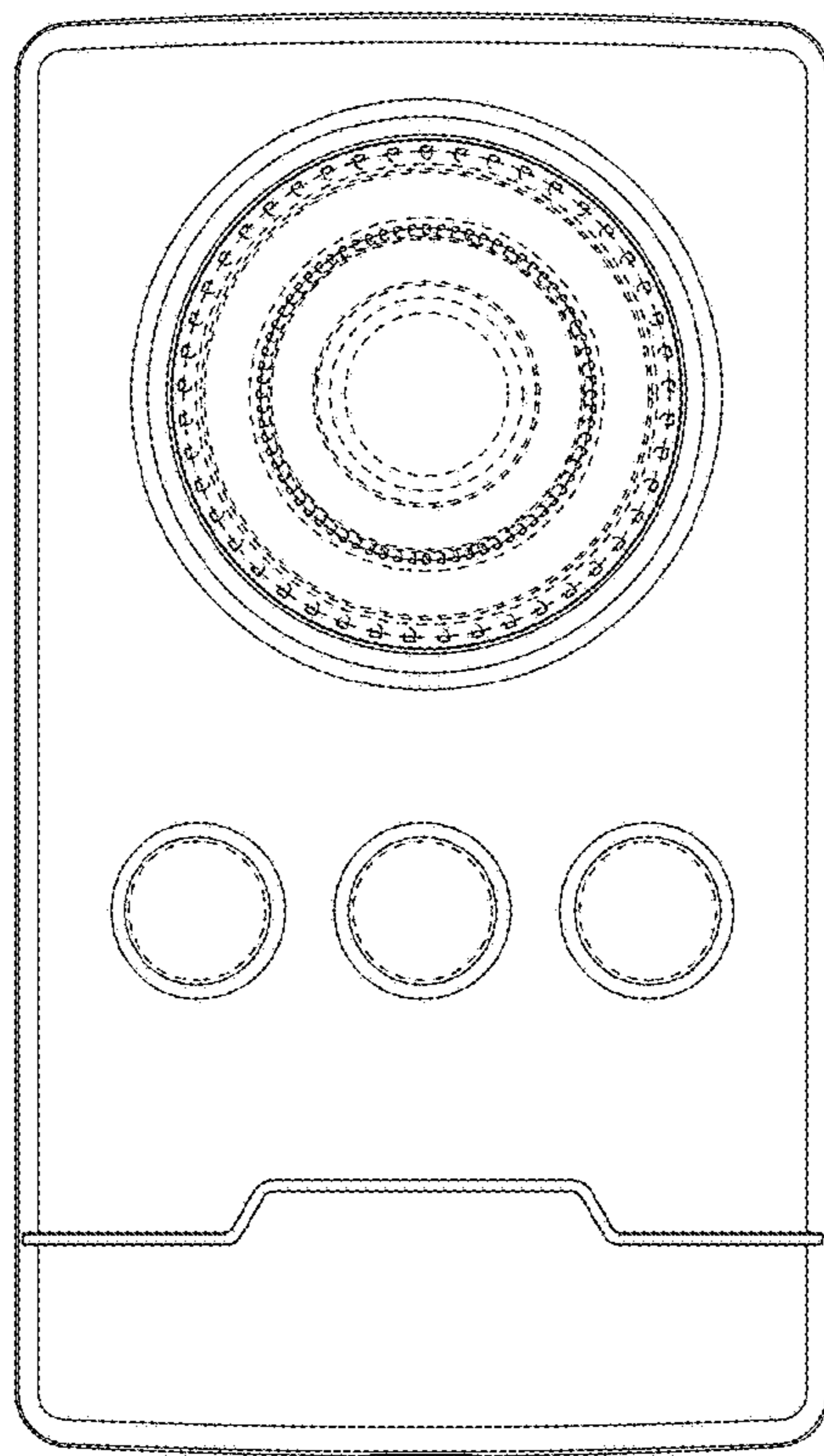


FIG. 2

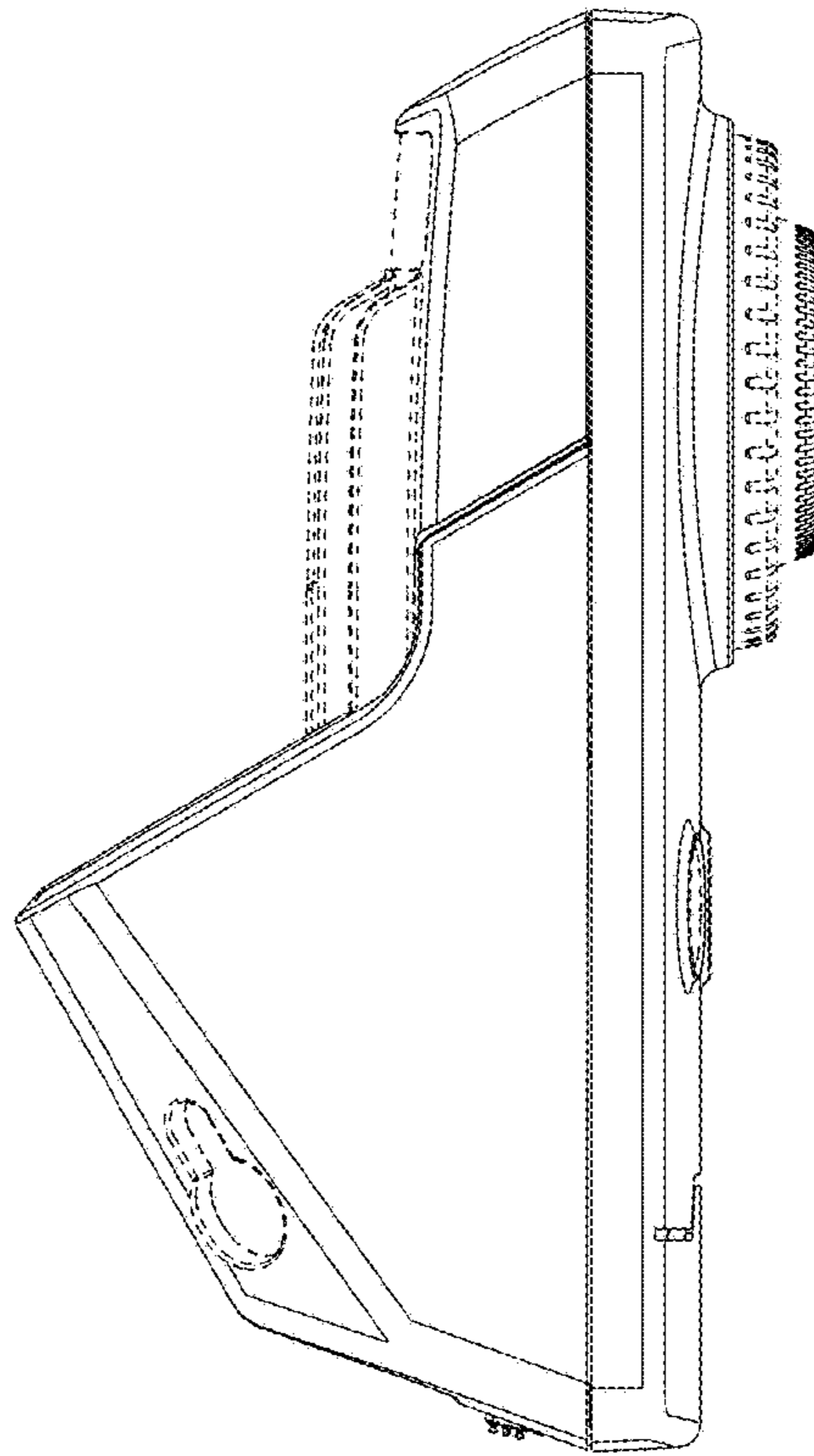


FIG. 3

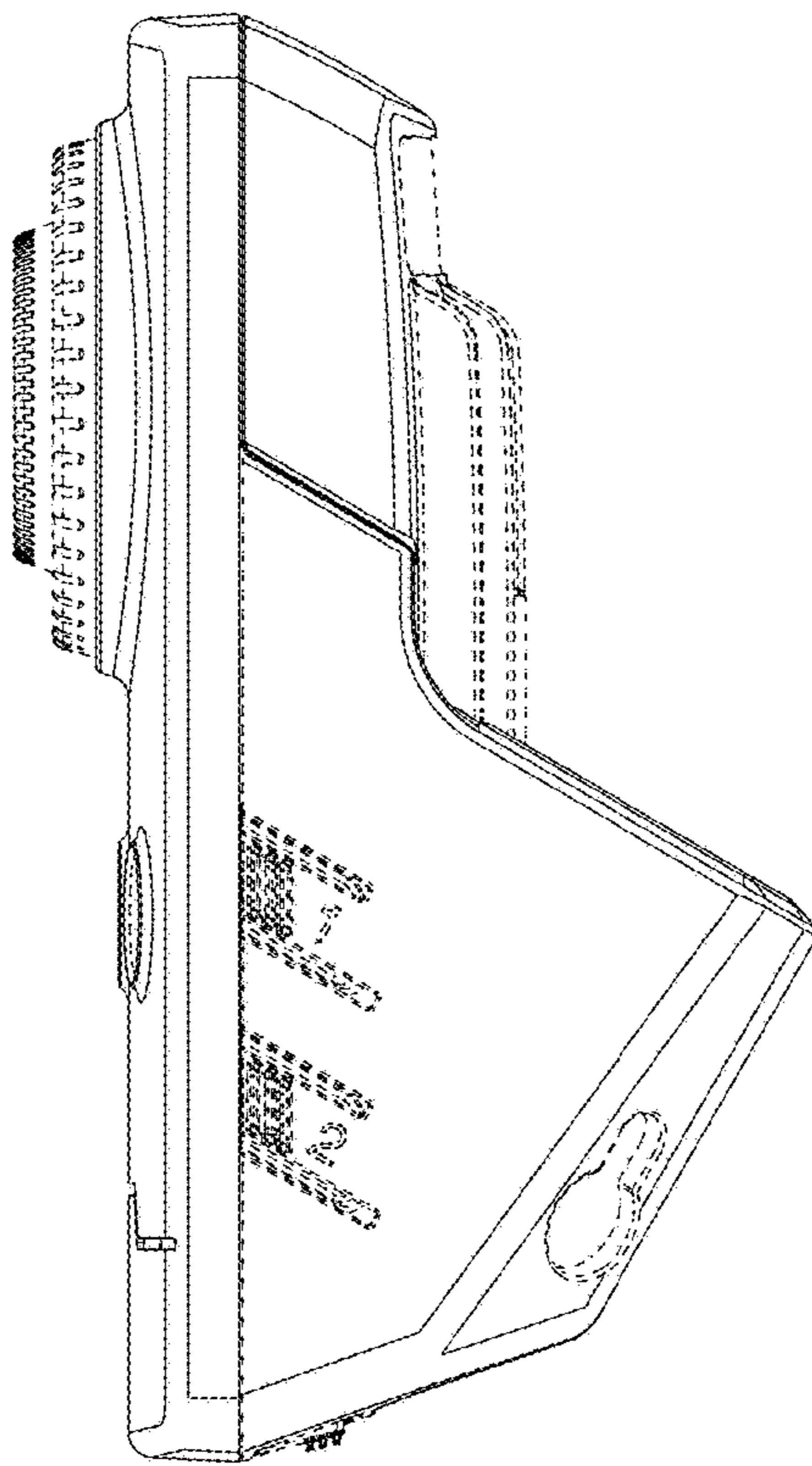


FIG. 4

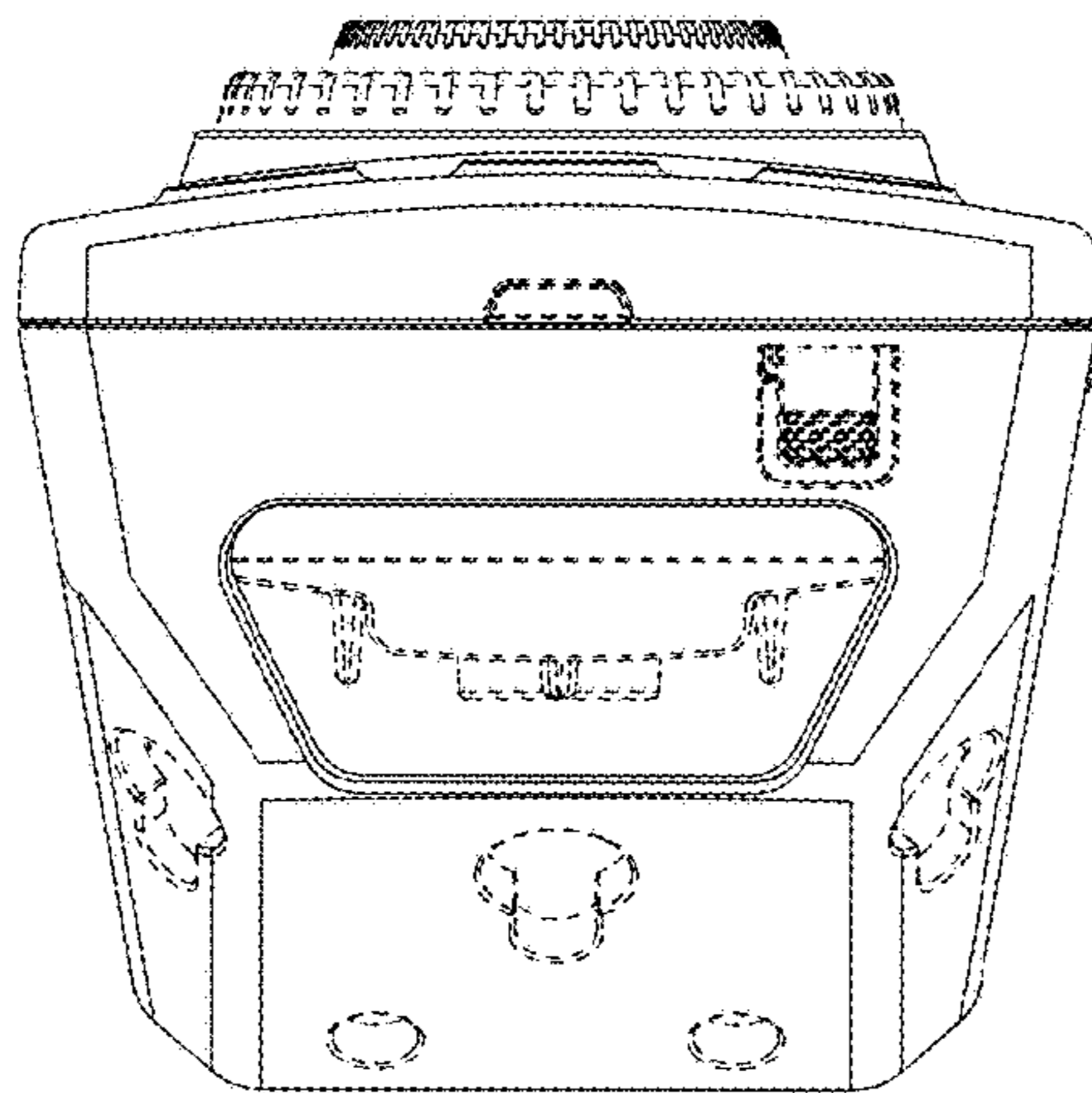


FIG. 5

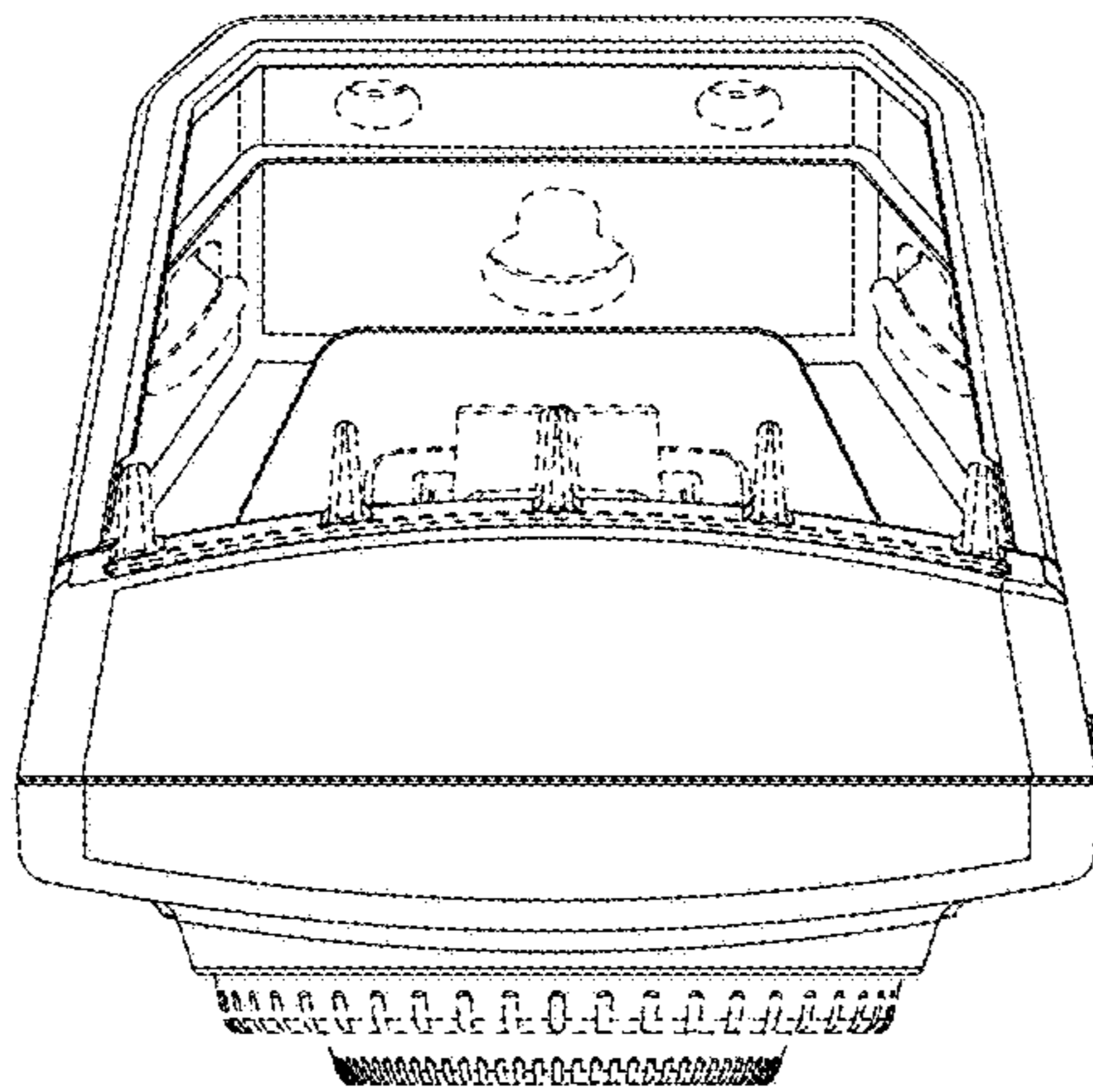


FIG. 6

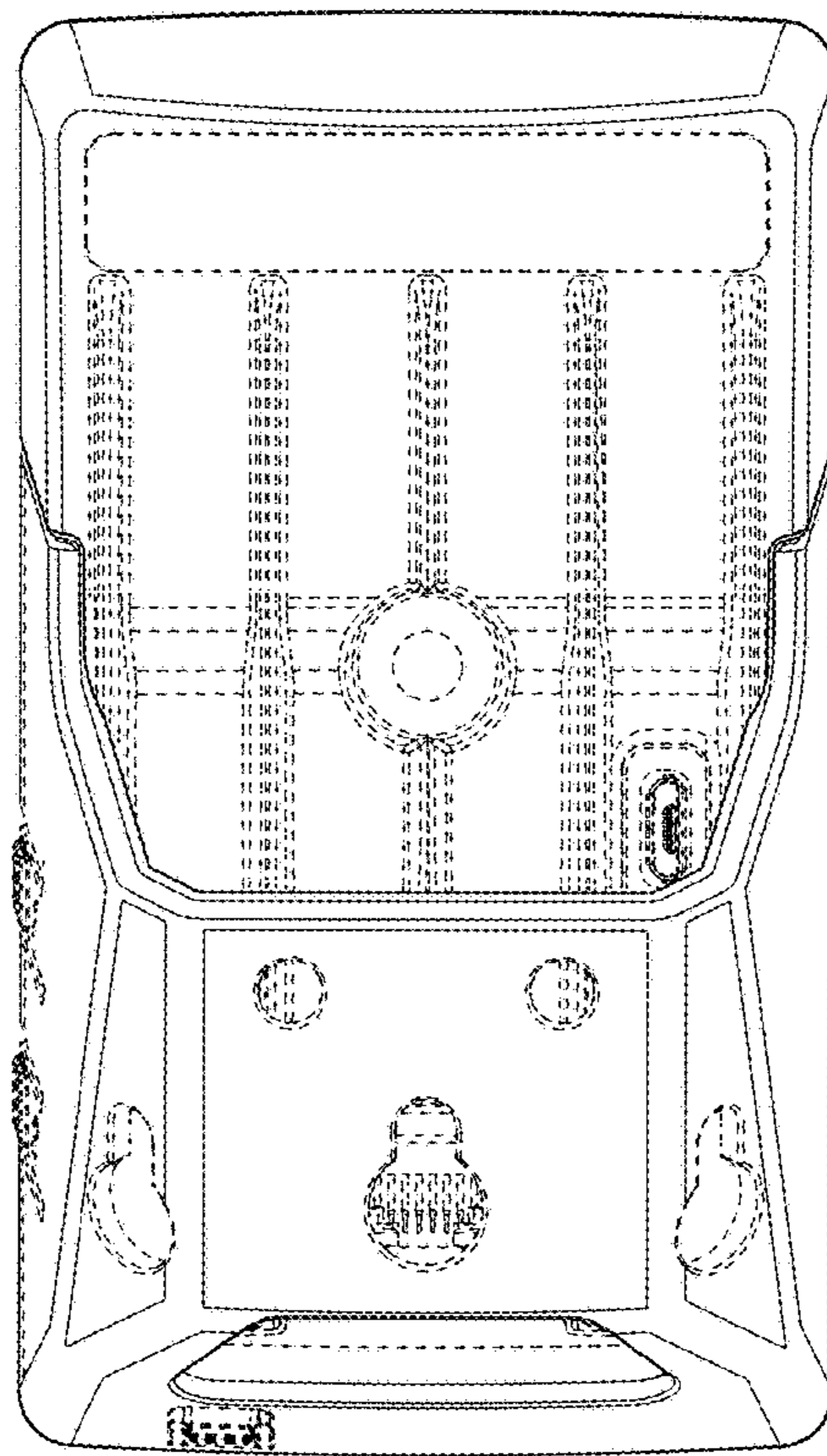


FIG. 7



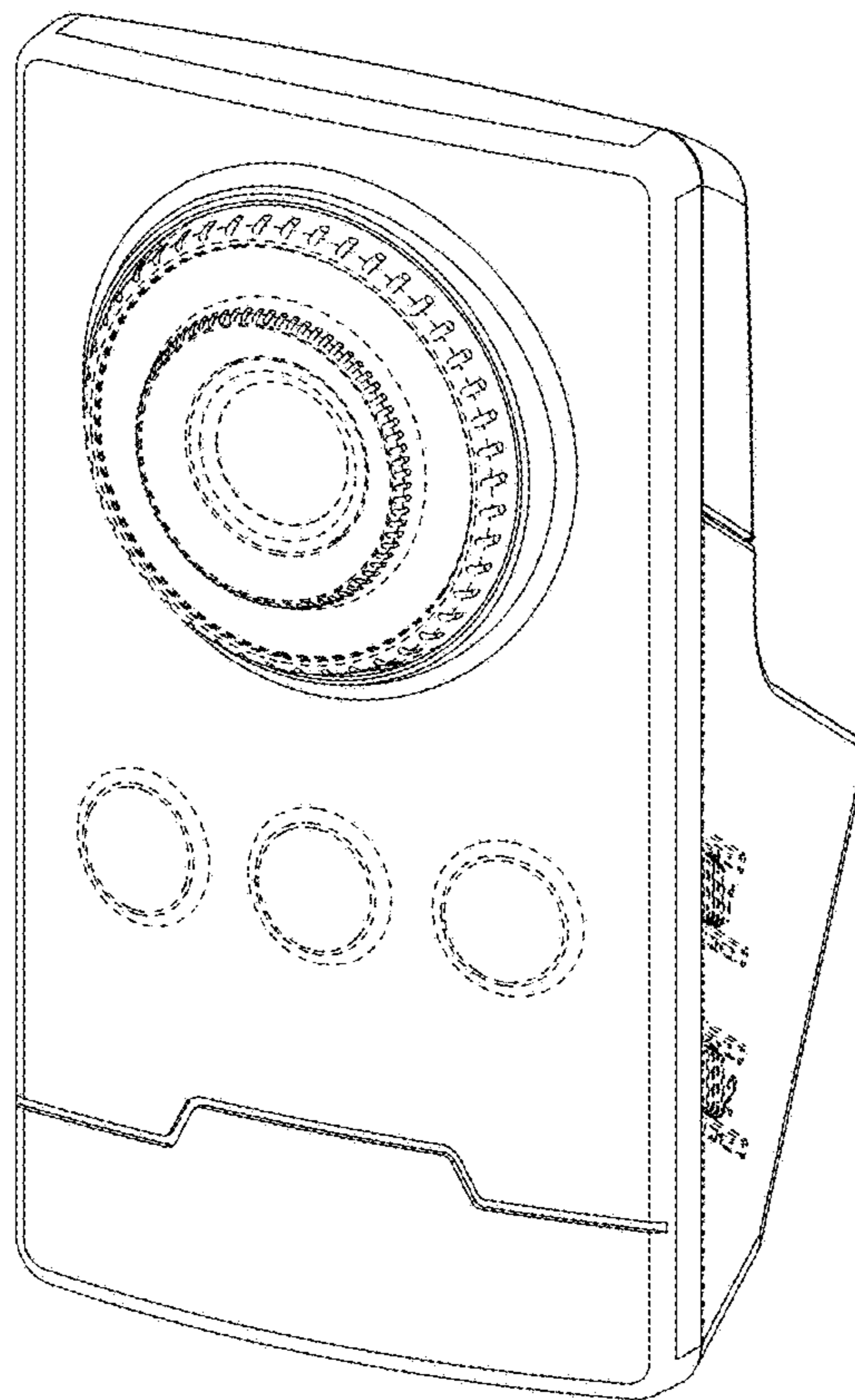


FIG. 8

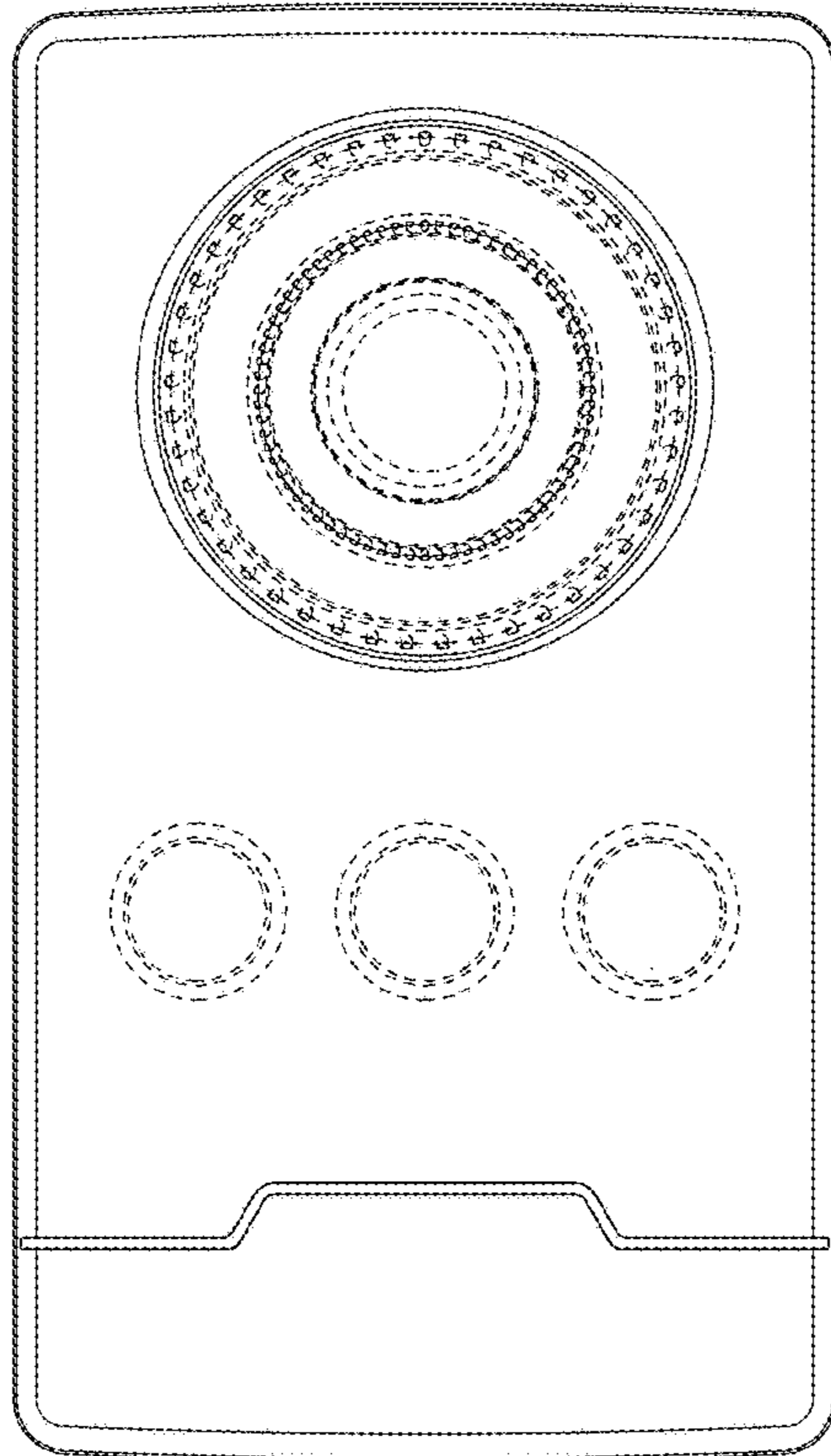


FIG. 9

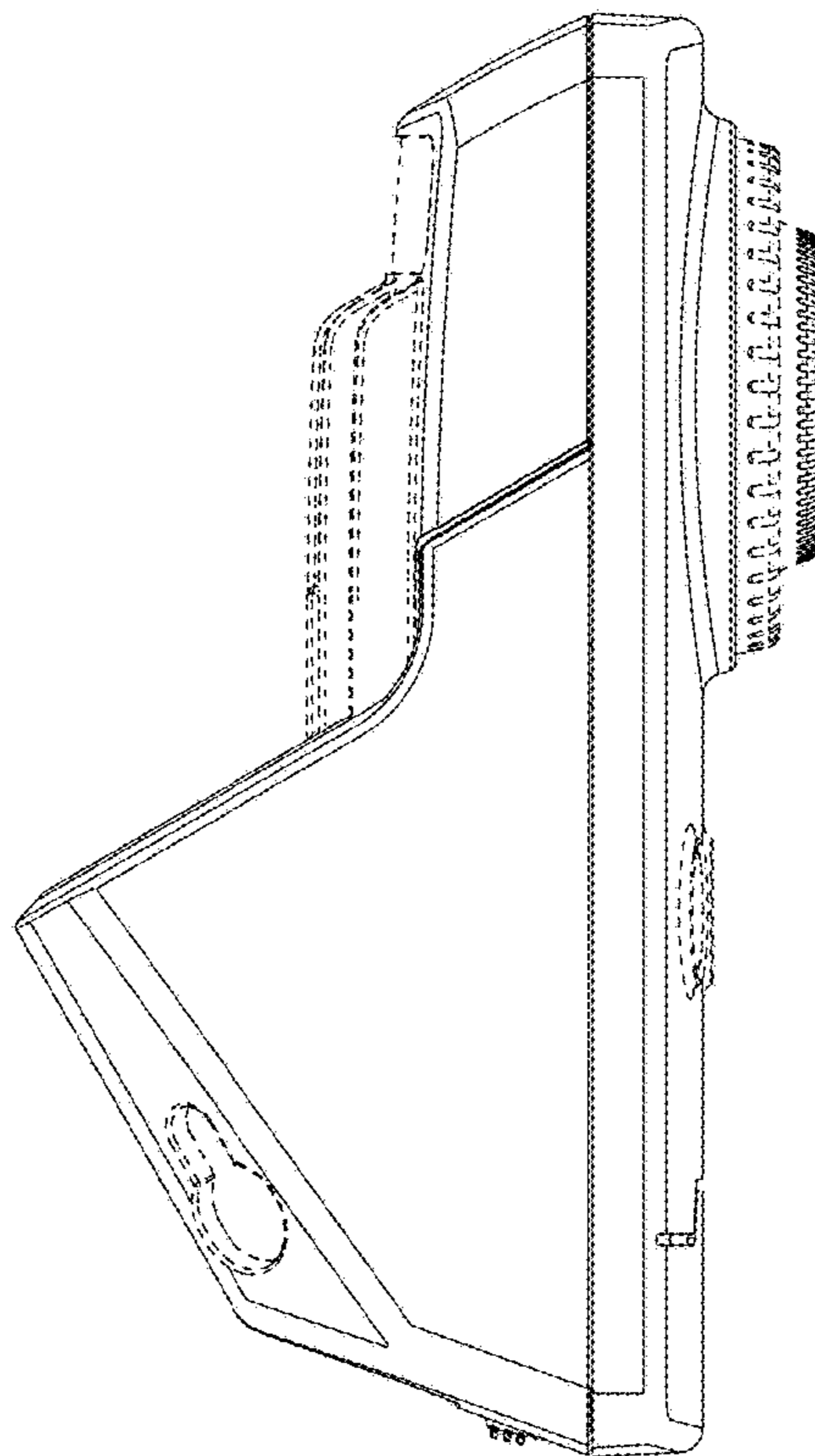


FIG. 10

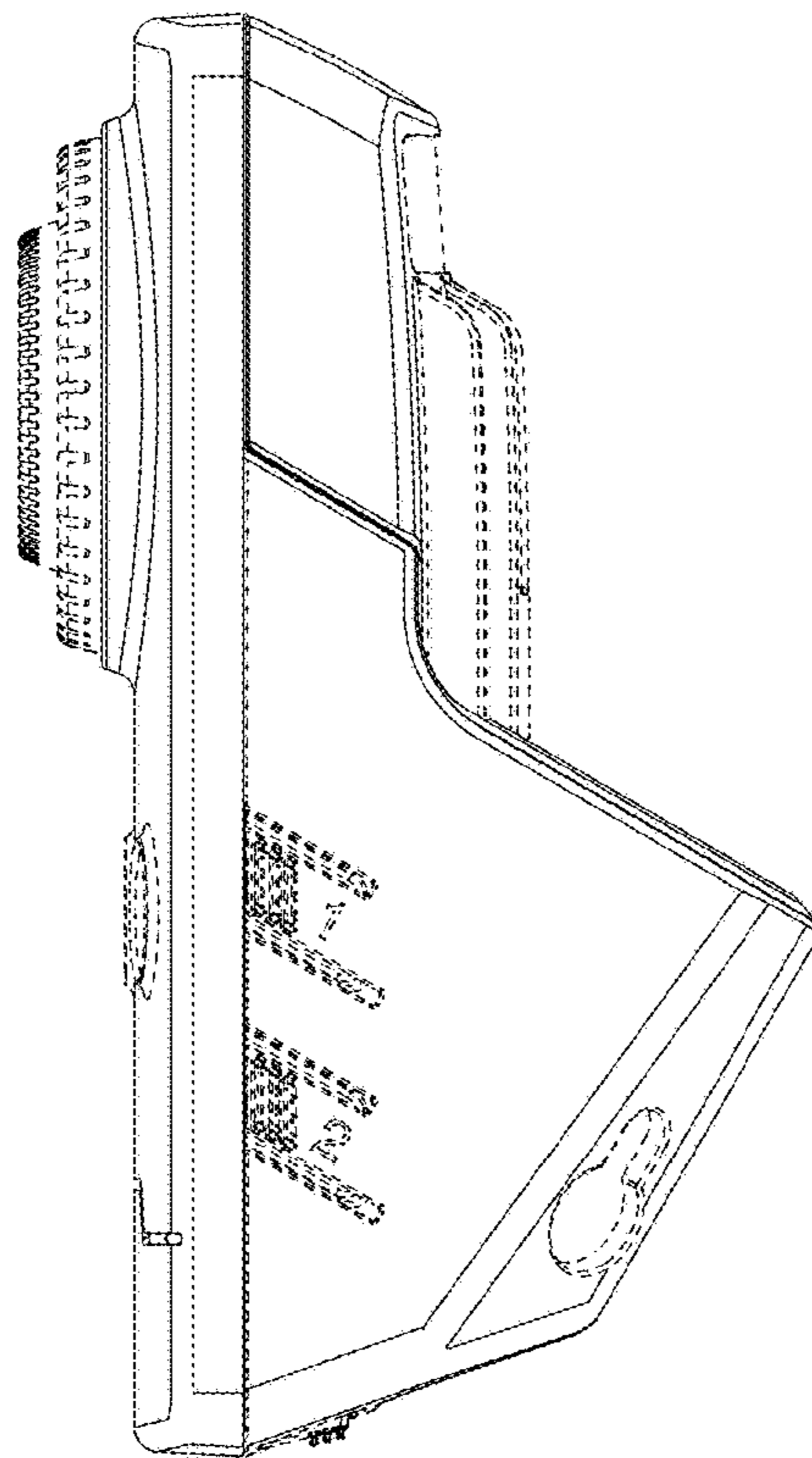


FIG. 11

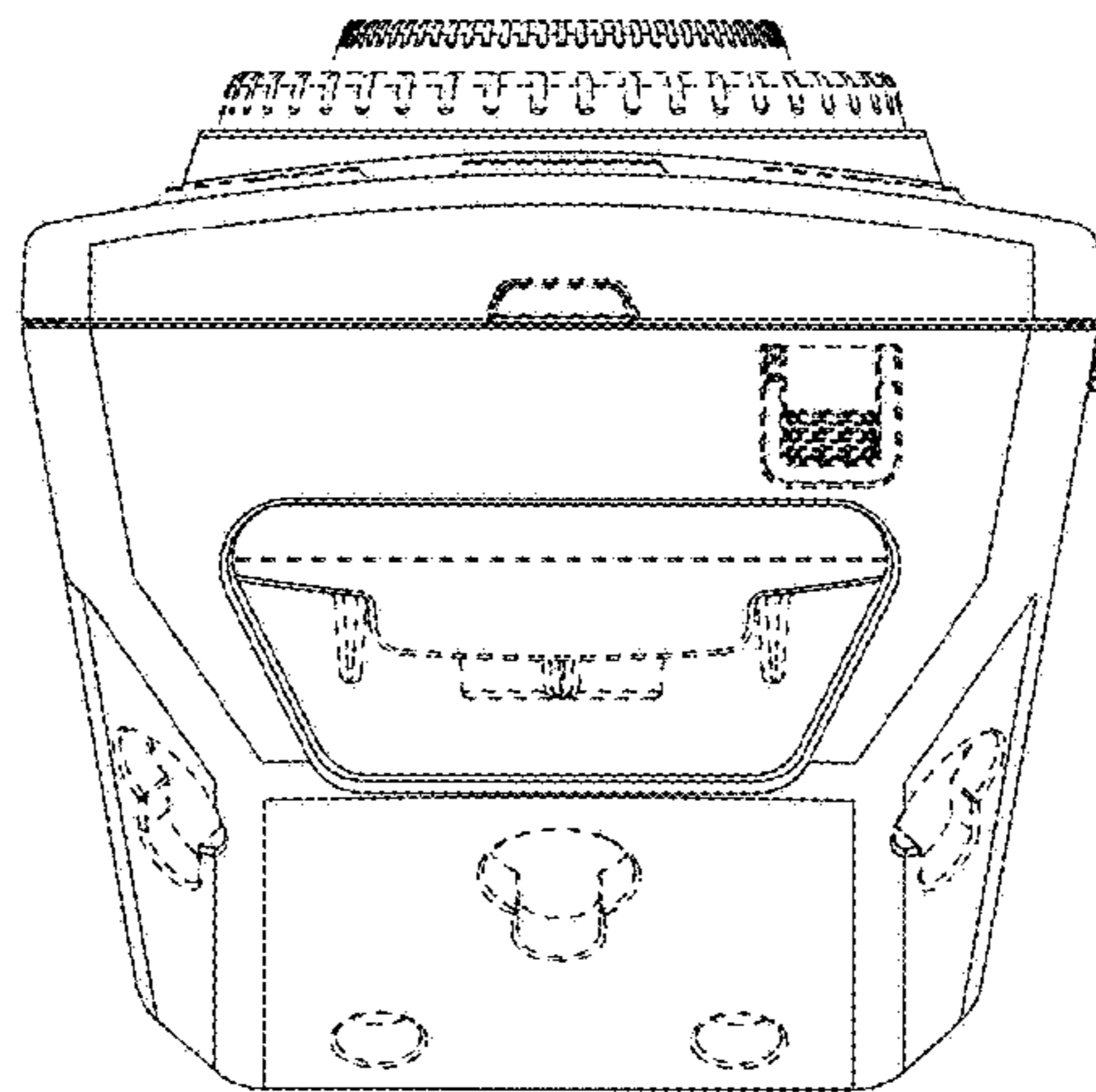


FIG. 12

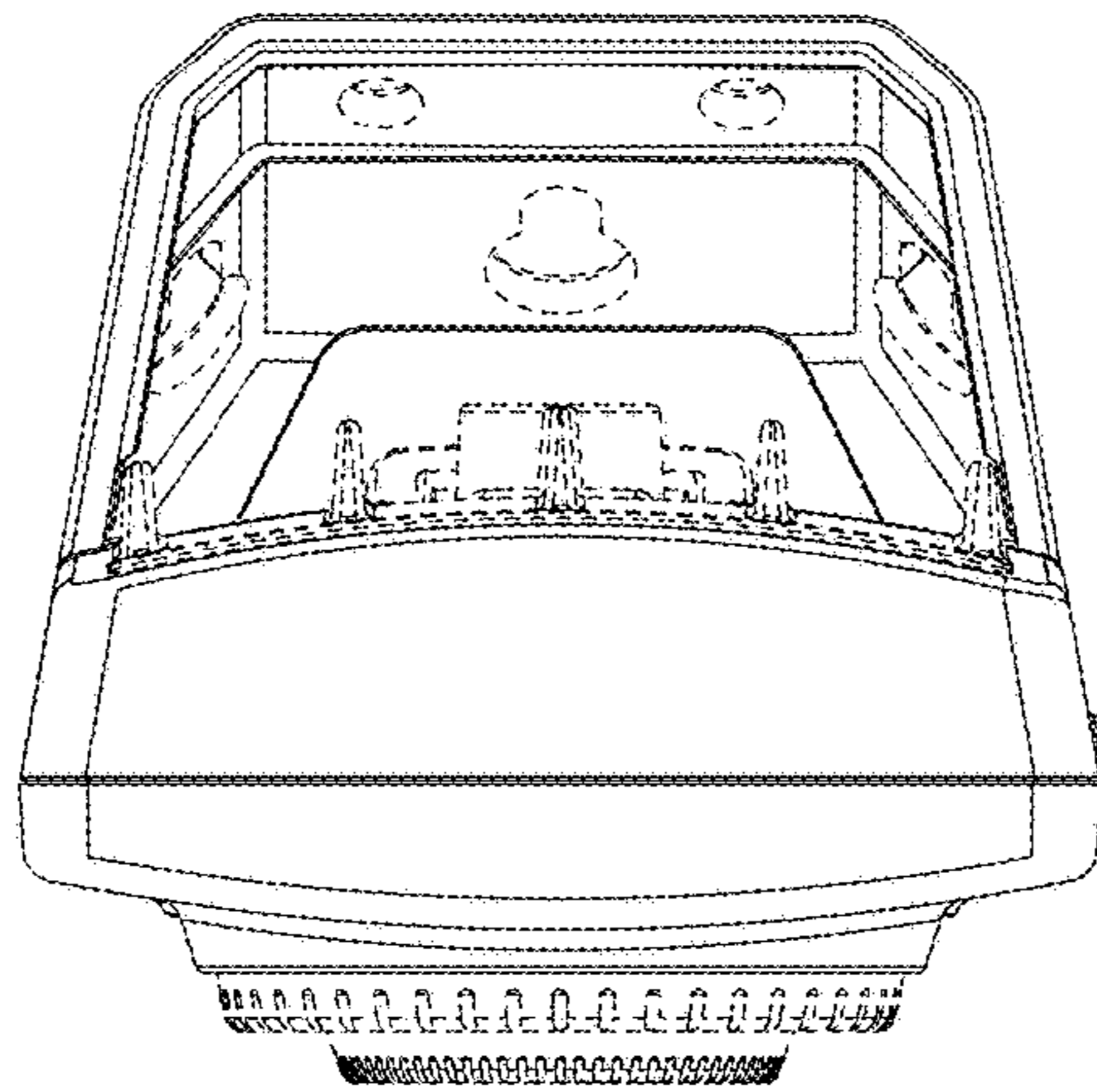


FIG. 13

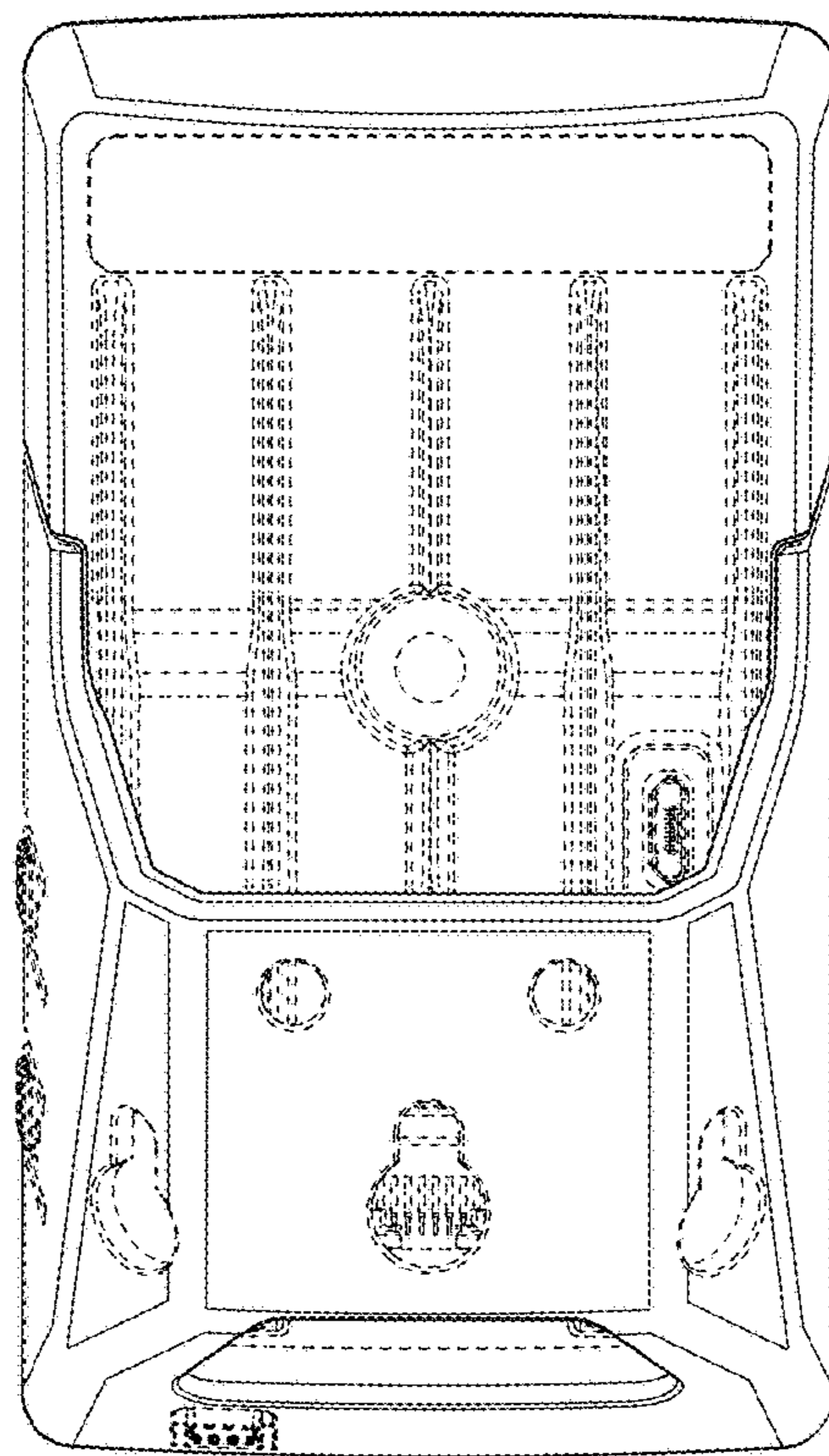


FIG. 14