



US00D851153S

(12) **United States Design Patent**
Chen

(10) **Patent No.:** **US D851,153 S**

(45) **Date of Patent:** **** Jun. 11, 2019**

(54) **NIGHT VISION DEVICE**

(71) Applicant: **Quan Xing Electronic Technology (ShenZhen) Co., LTD.**, Guangdong (CN)

(72) Inventor: **Han-Che Chen**, Taipei (TW)

(73) Assignee: **QUAN XING ELECTRONIC TECHNOLOGY (SHENZHEN) CO., LTD.**, Shenzhen, Guangdong (CN)

(**) Term: **15 Years**

(21) Appl. No.: **29/598,339**

(22) Filed: **Mar. 24, 2017**

(51) **LOC (11) Cl.** **16-06**

(52) **U.S. Cl.**
USPC **D16/133**

(58) **Field of Classification Search**
USPC D16/130–134, 136, 137, 219, 222, 235,
D16/237; D26/120, 124
CPC G02B 23/16
See application file for complete search history.

(56) **References Cited**

U.S. PATENT DOCUMENTS

2,361,661 A *	10/1944	Sparling	G03B 35/10 396/326
D161,884 S *	2/1951	Thomas	D16/222
D175,542 S *	9/1955	Fuller	D16/222
D349,509 S *	8/1994	Williams, Jr.	D16/130
D362,257 S *	9/1995	Palmer	D16/133
D380,223 S *	6/1997	Palmer	D16/133
D431,585 S *	10/2000	Vance	D16/300

(Continued)

FOREIGN PATENT DOCUMENTS

CN	201730205240	*	5/2017
EM	003931856-0002	*	5/2017

OTHER PUBLICATIONS

Bresser Digitales Nachtsichtgerät Binokular. Online, published date unknown. Retrieved on Mar. 20, 2018 from URL: <https://www.amazon.de/Bresser-Digitales-Nachtsichtger%C3%A4t-Binokular-Display/dp/B01KVY3CNG>.*

(Continued)

Primary Examiner — Susan Bennett Hattan

Assistant Examiner — Omeed Agilee

(74) *Attorney, Agent, or Firm* — Muncy, Geissler, Olds & Lowe, P.C.

(57) **CLAIM**

The ornamental design for a night vision device, as shown and described.

DESCRIPTION

FIG. 1 is a front, top, and right perspective view of a night vision device, showing the first embodiment of our new design;

FIG. 2 is a front elevation view thereof;

FIG. 3 is a rear elevation view thereof;

FIG. 4 is a left elevation view thereof;

FIG. 5 is a right elevation view thereof;

FIG. 6 is a top plan view thereof; and

FIG. 7 is a bottom plan view thereof.

FIG. 8 is a front, top, and right perspective view of a night vision device, showing the second embodiment of the present design;

FIG. 9 is a front elevation view thereof;

FIG. 10 is a rear elevation view thereof;

FIG. 11 is a left elevation view thereof;

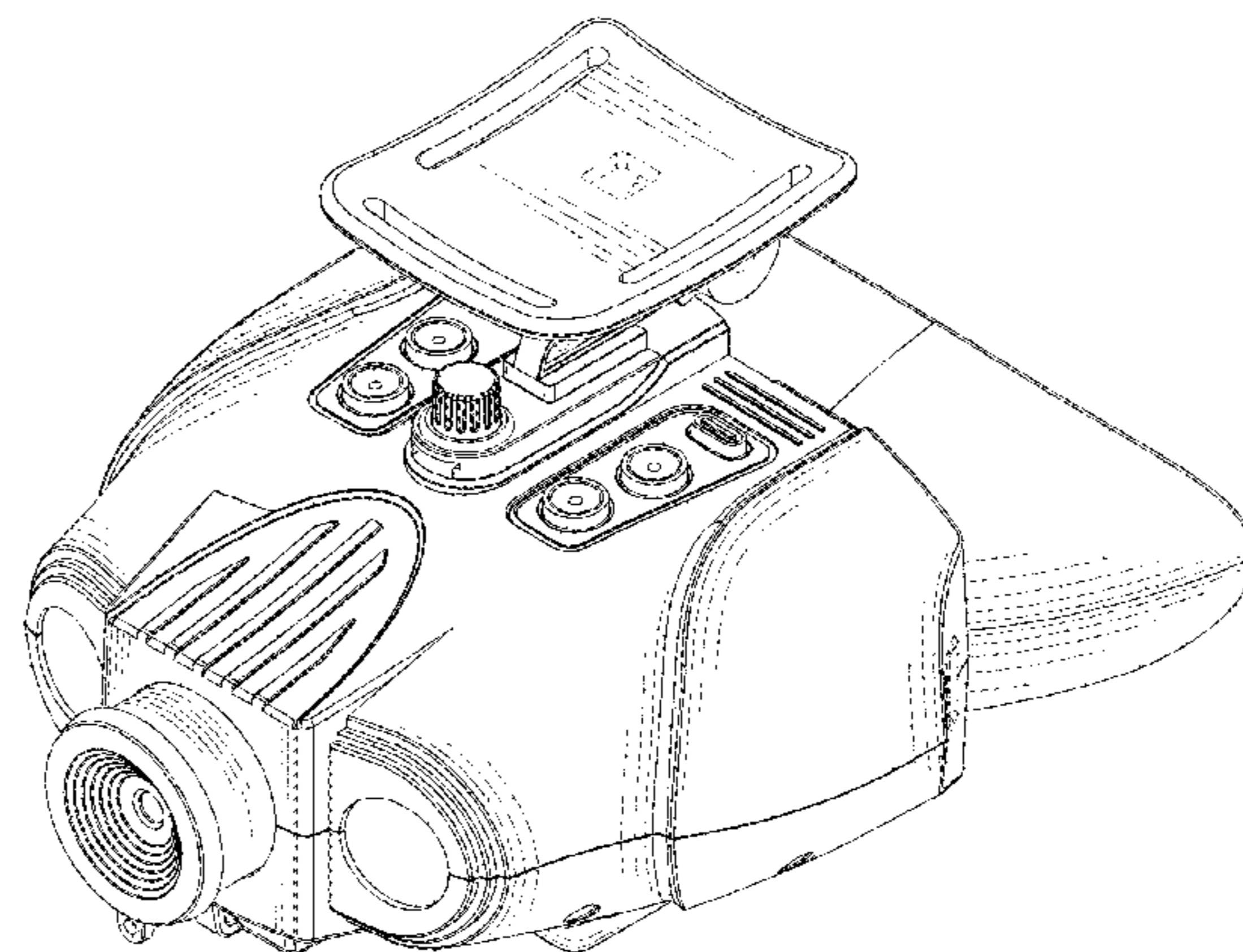
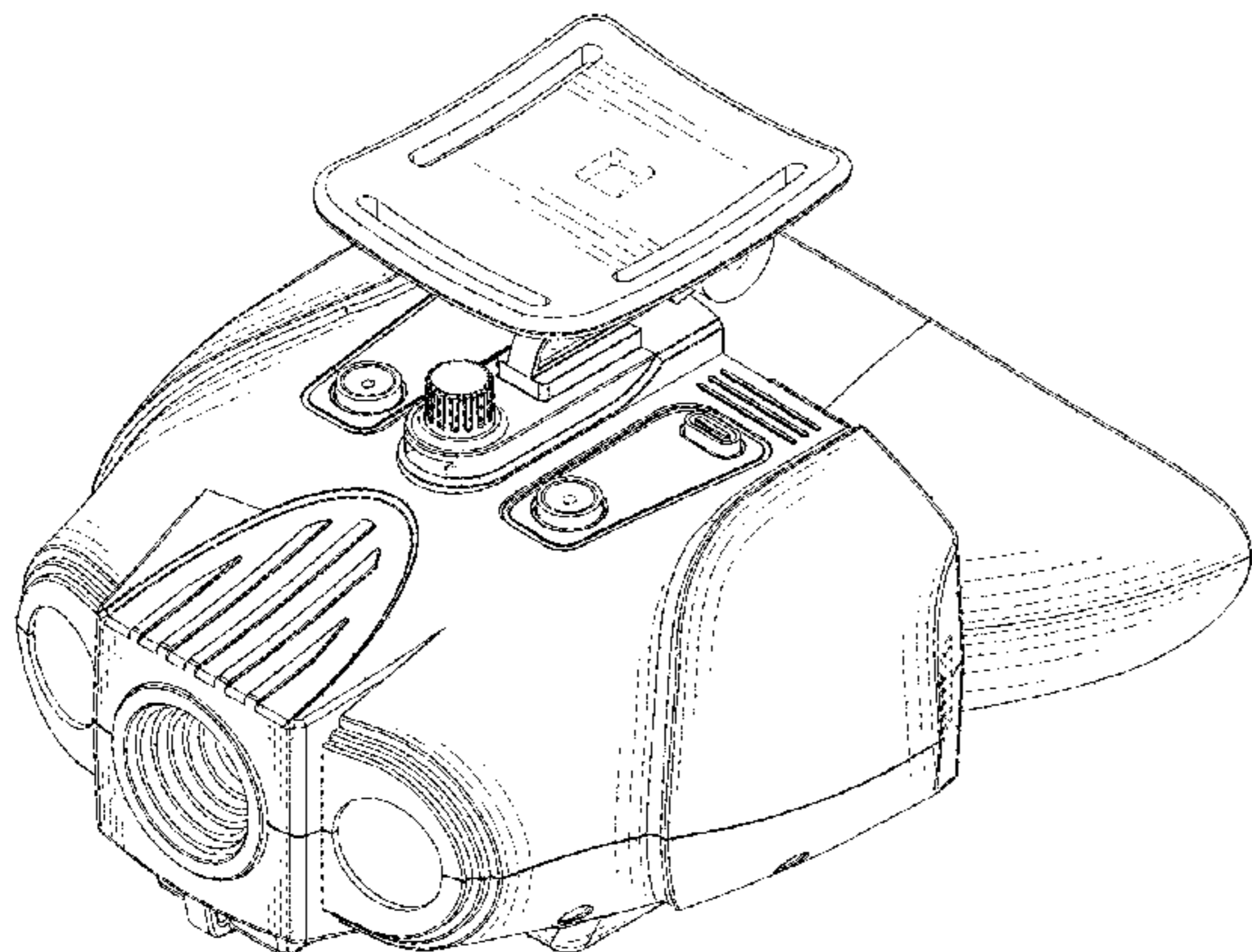
FIG. 12 is a right elevation view thereof;

FIG. 13 is a top plan view thereof; and,

FIG. 14 is a bottom plan view thereof.

The evenly spaced broken lines and the areas within them depict portions of the night vision device that form no part of the claimed design. The dot-dash-dot broken lines depict the boundaries of the claim and form no part thereof.

1 Claim, 14 Drawing Sheets



(56)

References Cited

U.S. PATENT DOCUMENTS

D489,386	S	*	5/2004	Lewellen	D16/203
D518,498	S	*	4/2006	Reed	D16/132
D522,033	S	*	5/2006	Kitera	D16/133
D524,339	S	*	7/2006	Waring, II	D16/132
D564,111	S	*	3/2008	Hillard	D26/39
D679,435	S	*	4/2013	Sohn	D26/60
D706,468	S	*	6/2014	Nagano	D26/28
D752,670	S	*	3/2016	Chen	D16/132
D759,859	S	*	6/2016	Ng	D26/28
D762,166	S	*	7/2016	Arends	D13/107
D768,898	S	*	10/2016	Crone	D26/63
D796,365	S	*	9/2017	Clynne	D10/106.8
D799,085	S	*	10/2017	Huang	D26/39

OTHER PUBLICATIONS

Yukon Viking Pro 2x24mm Night Vision Binoculars. Online, published date unknown. Retrieved on Mar. 20, 2018 from URL: <https://www.opticsplanet.com/yukon-viking-pro-2x24mm-night-vision-binoculars-25022.html>.*

* cited by examiner

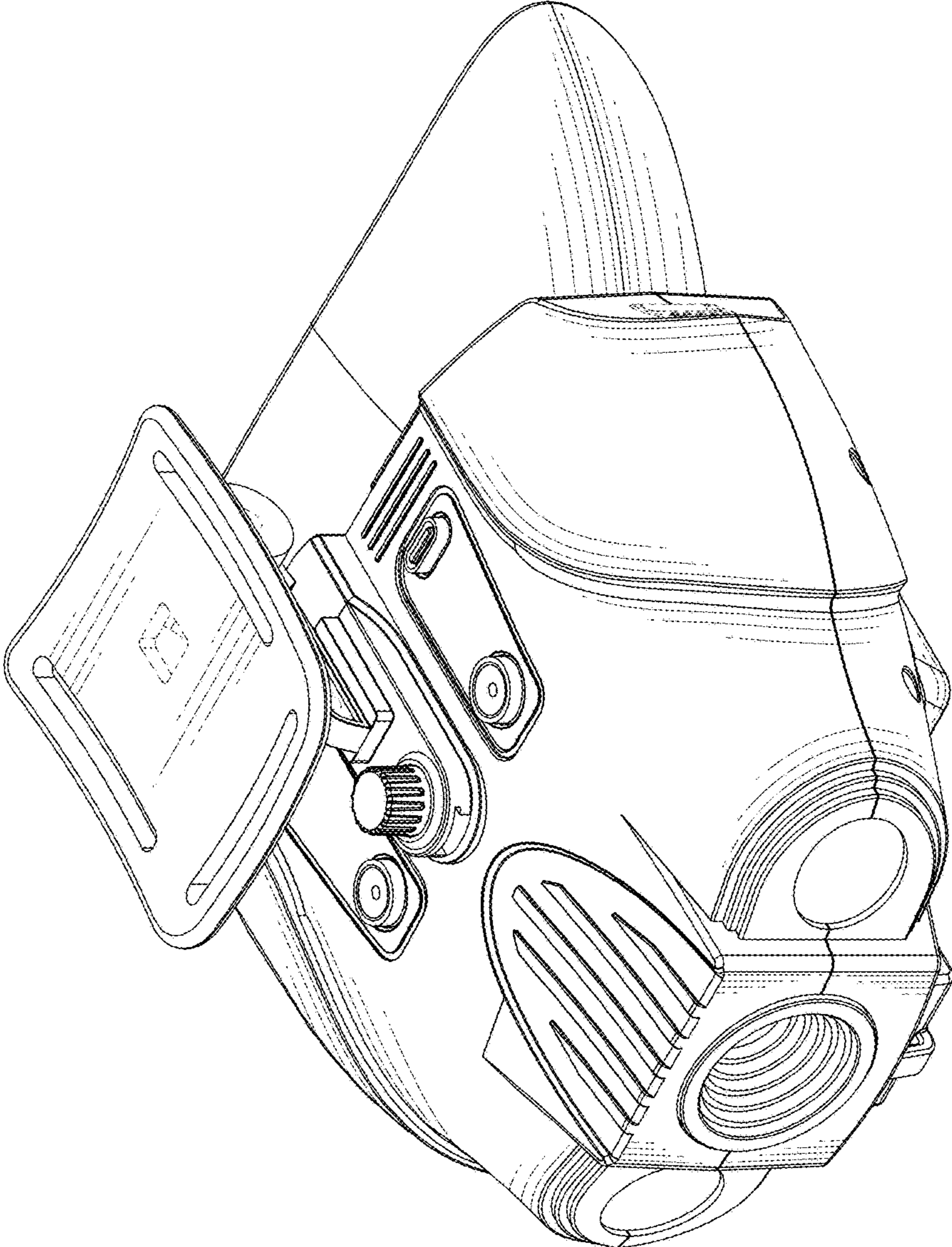


FIG. 1

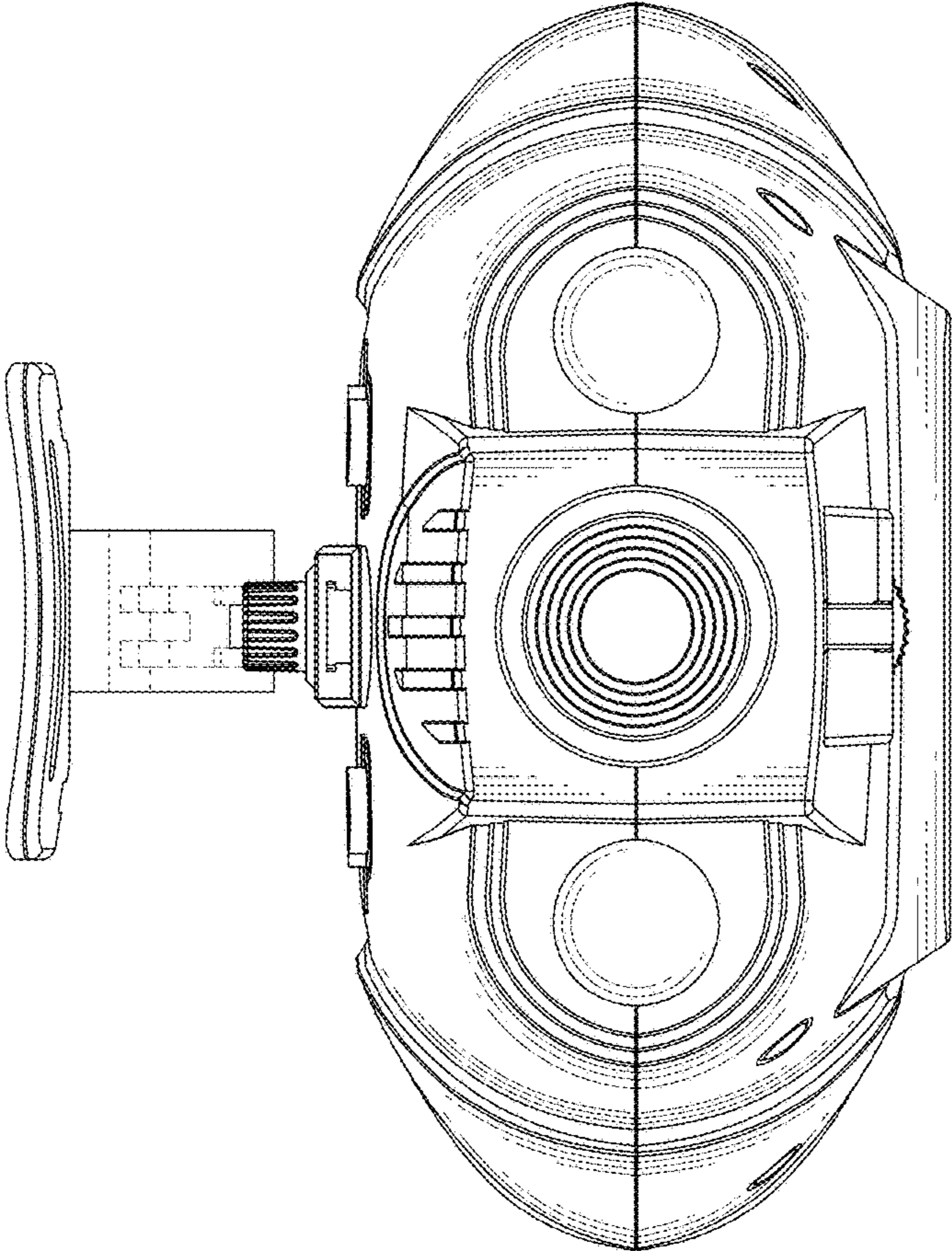


FIG. 2

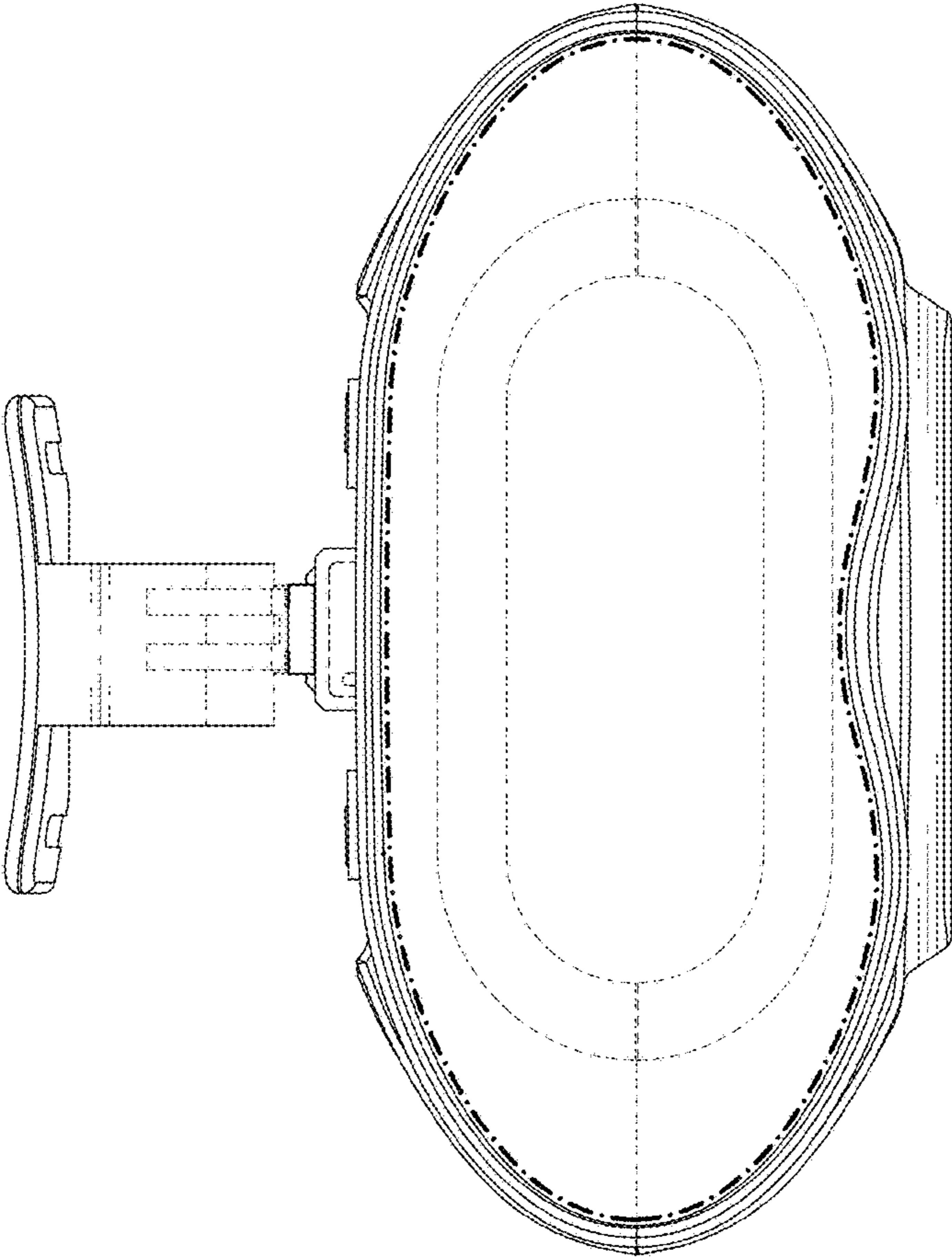


FIG. 3

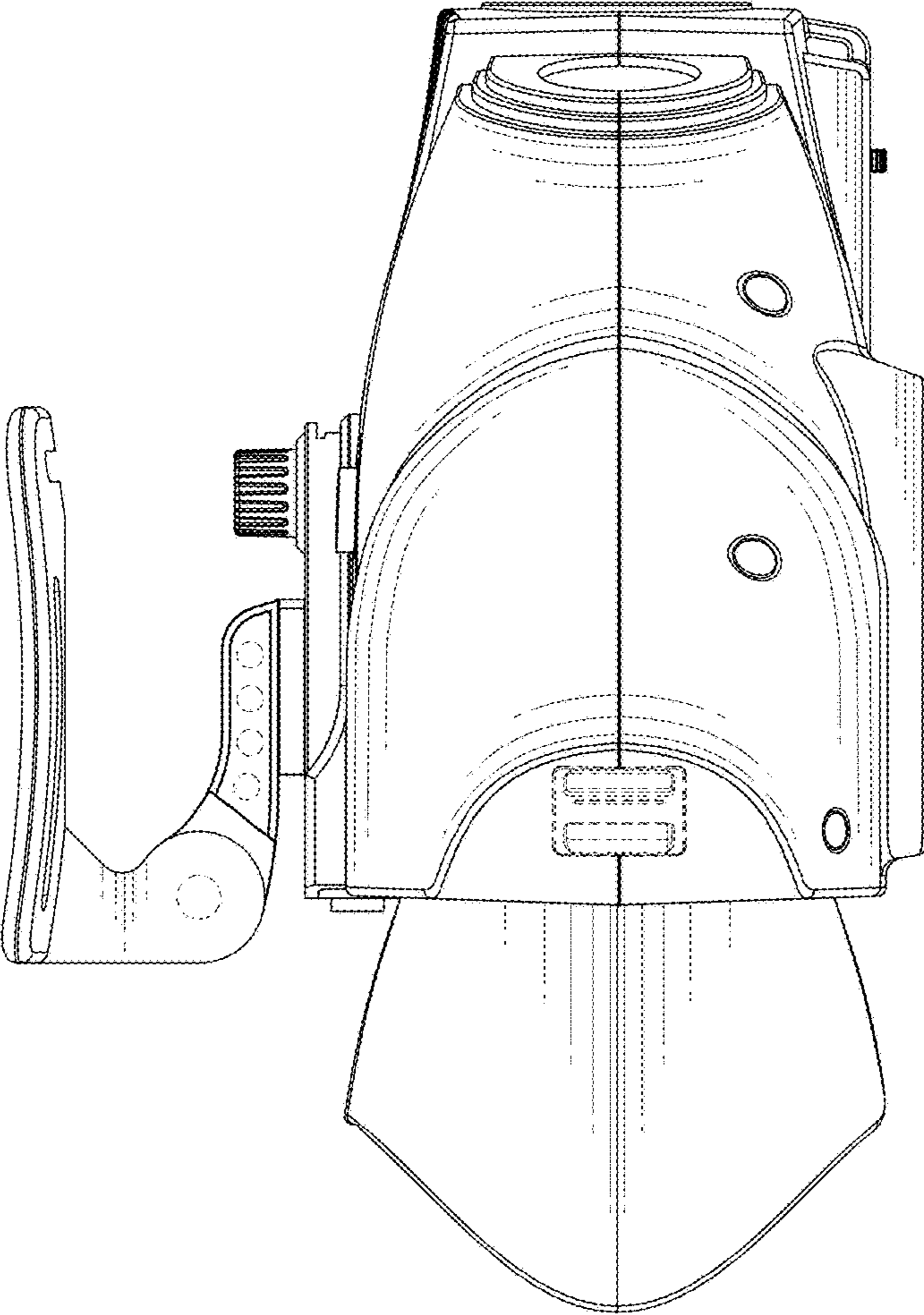


FIG. 4

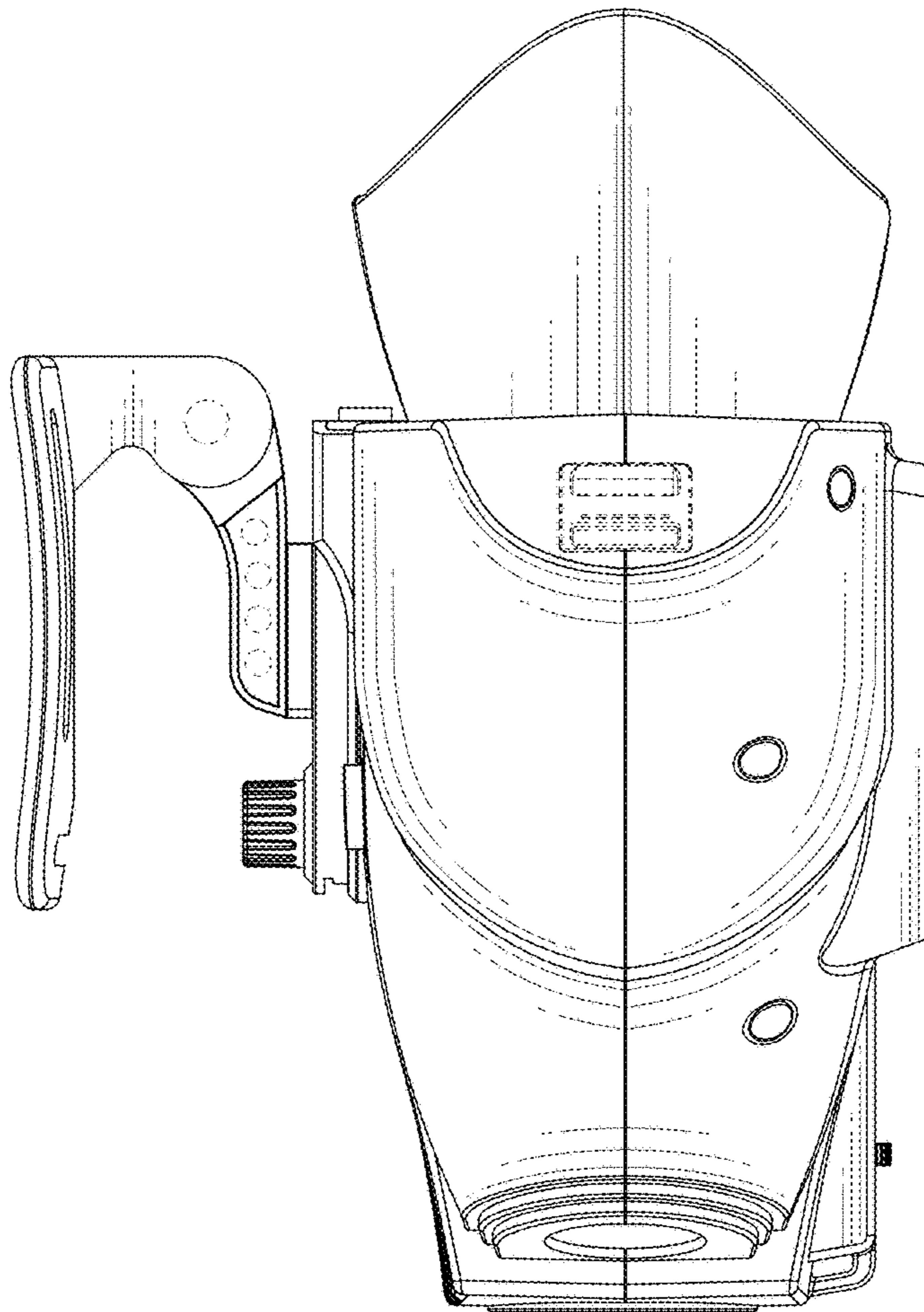


FIG. 5

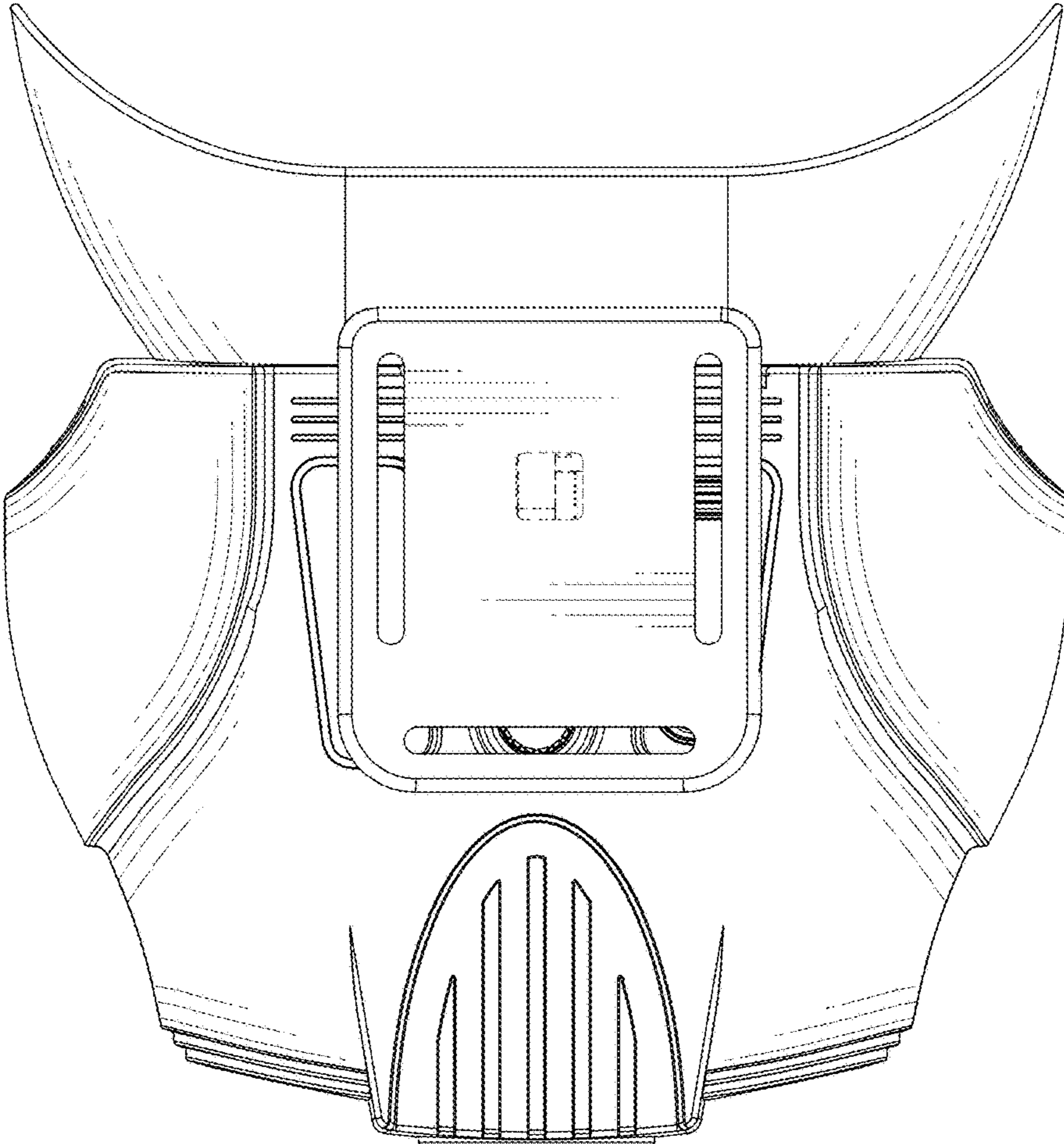


FIG. 6

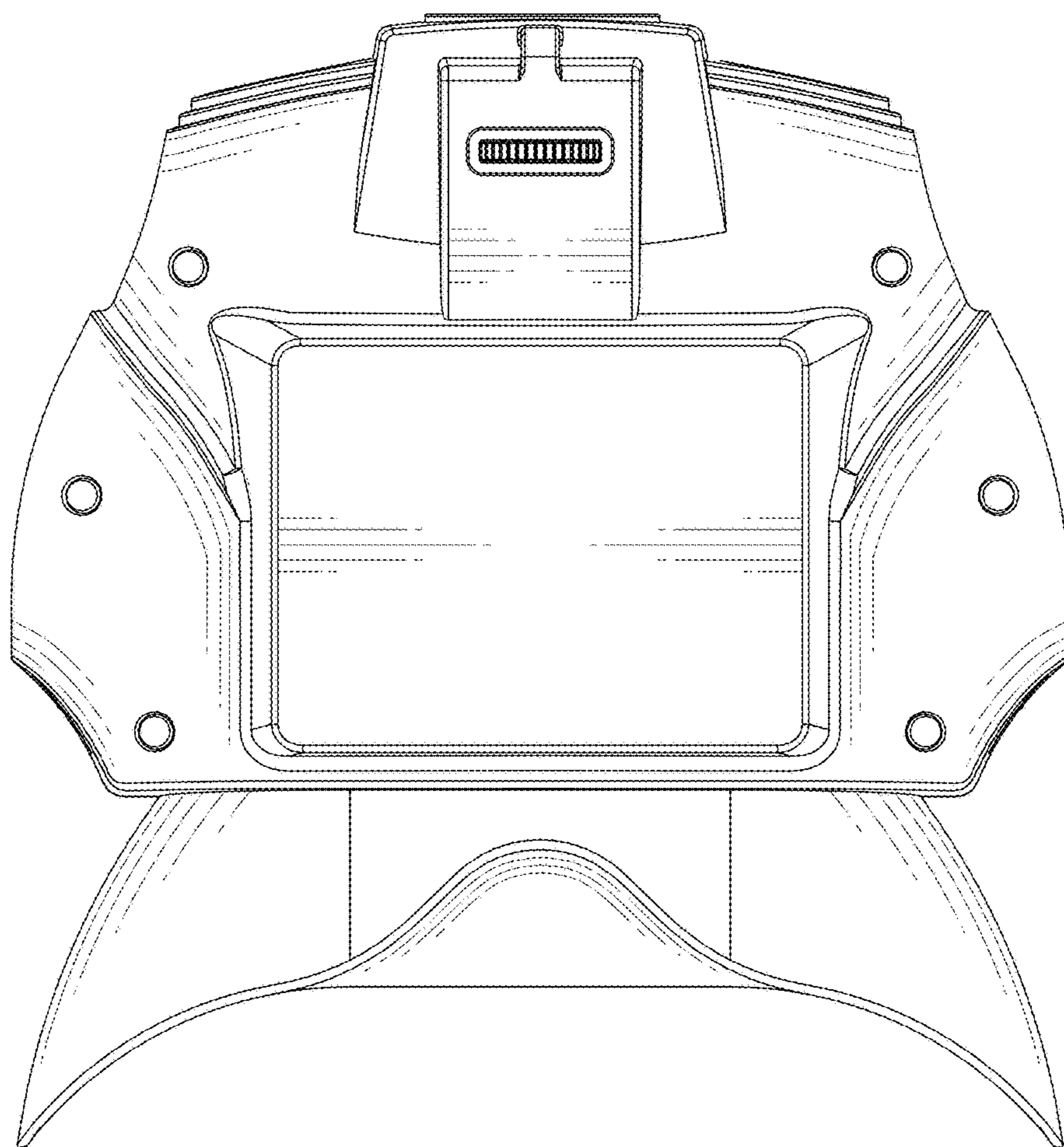


FIG. 7

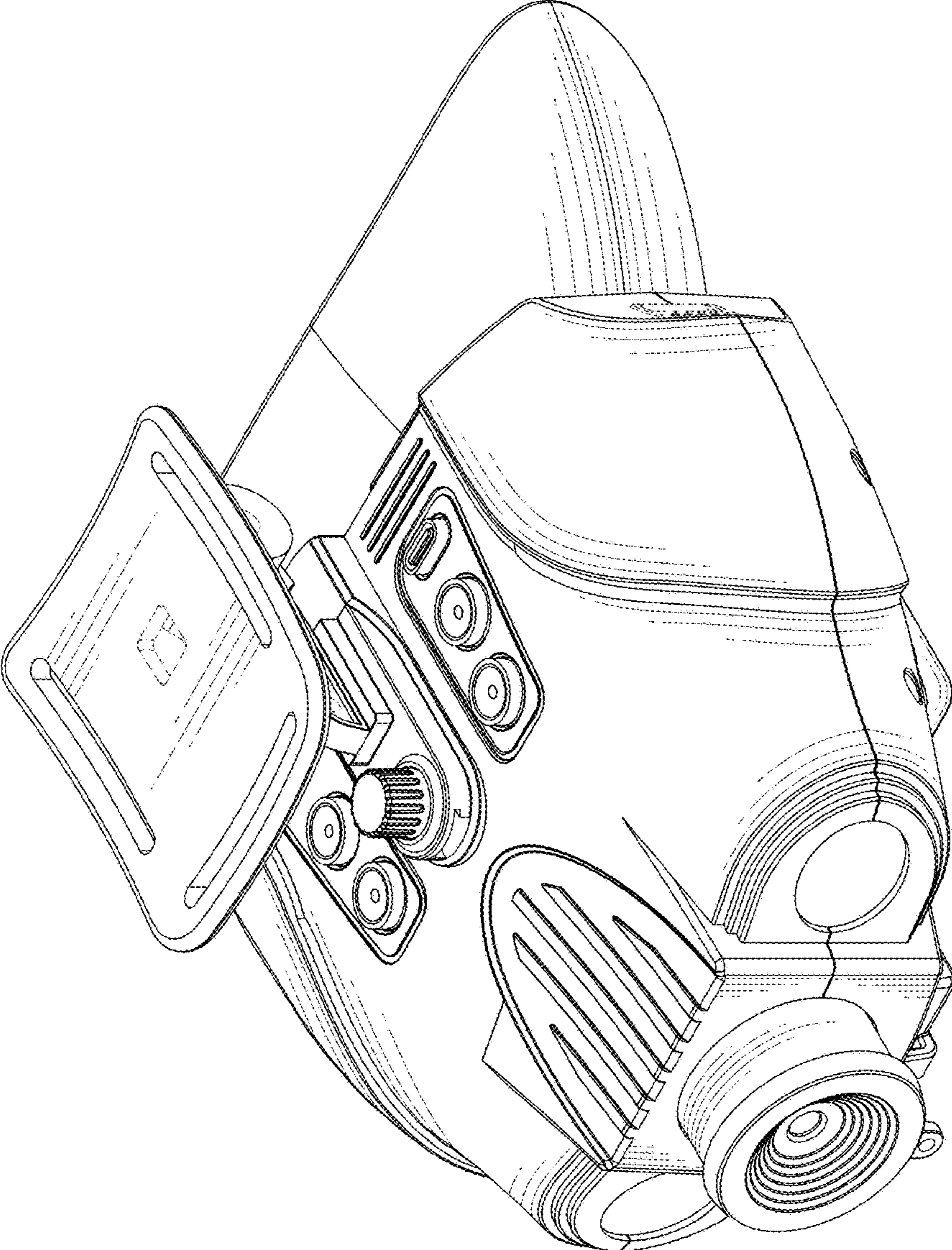


FIG. 8

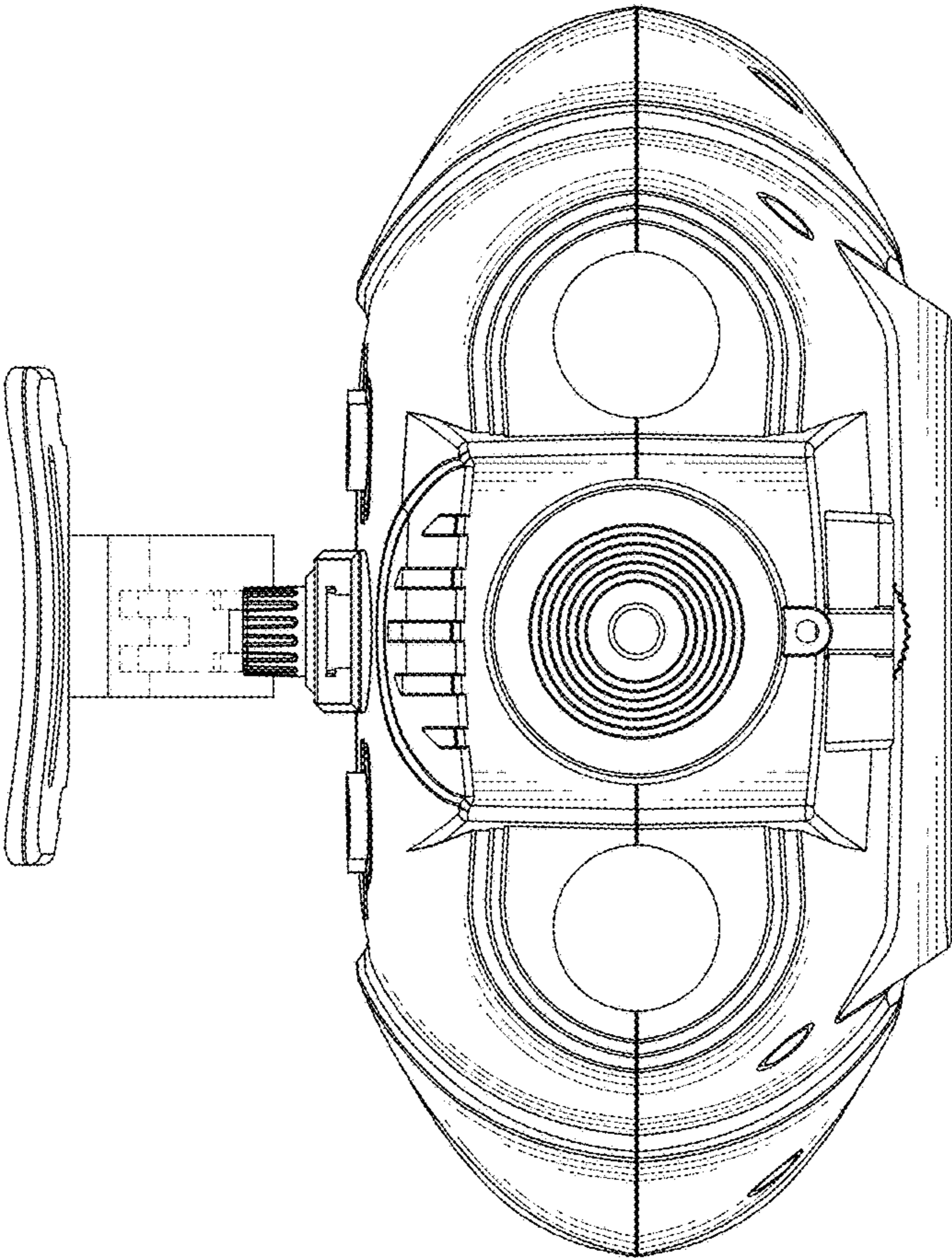


FIG. 9

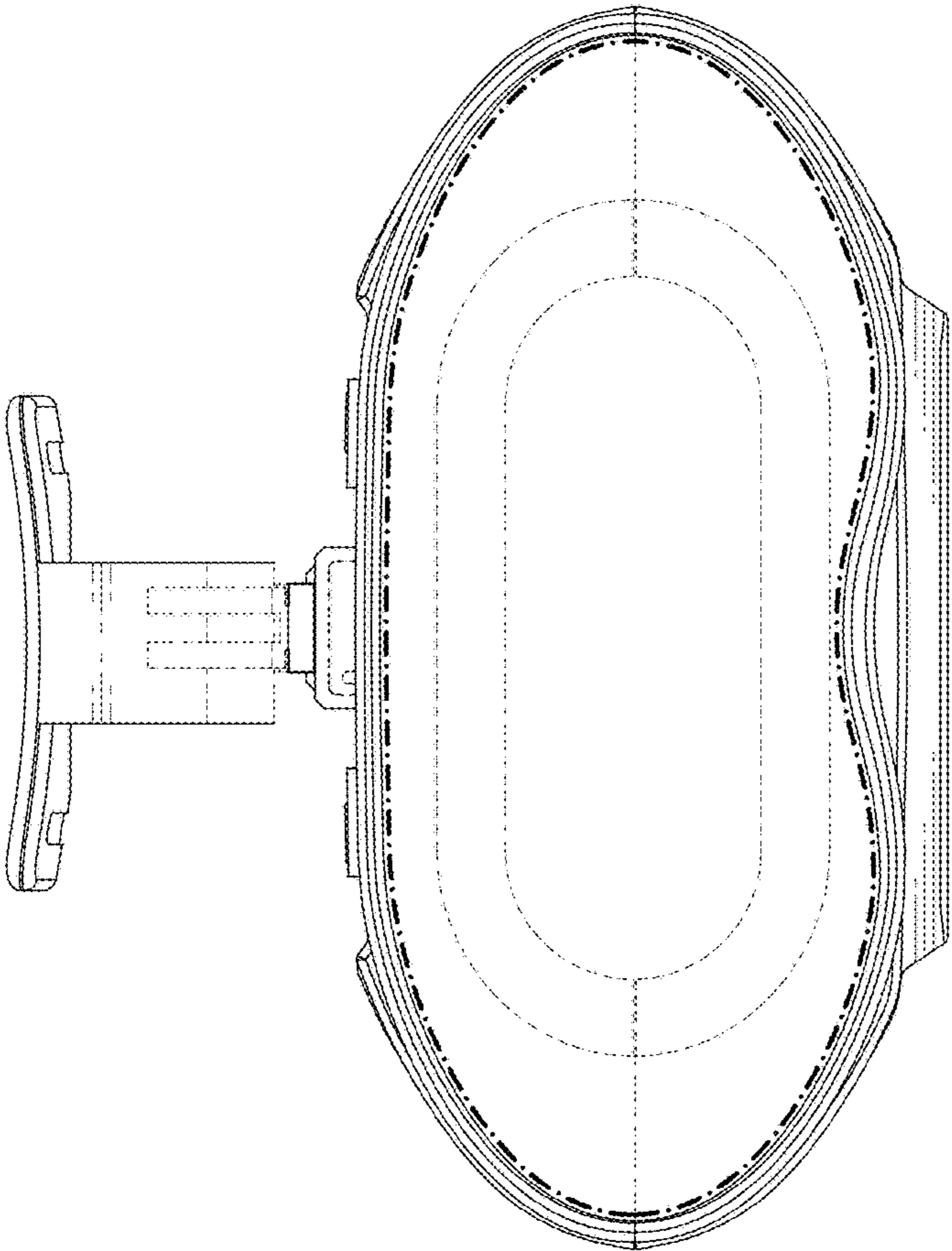


FIG. 10

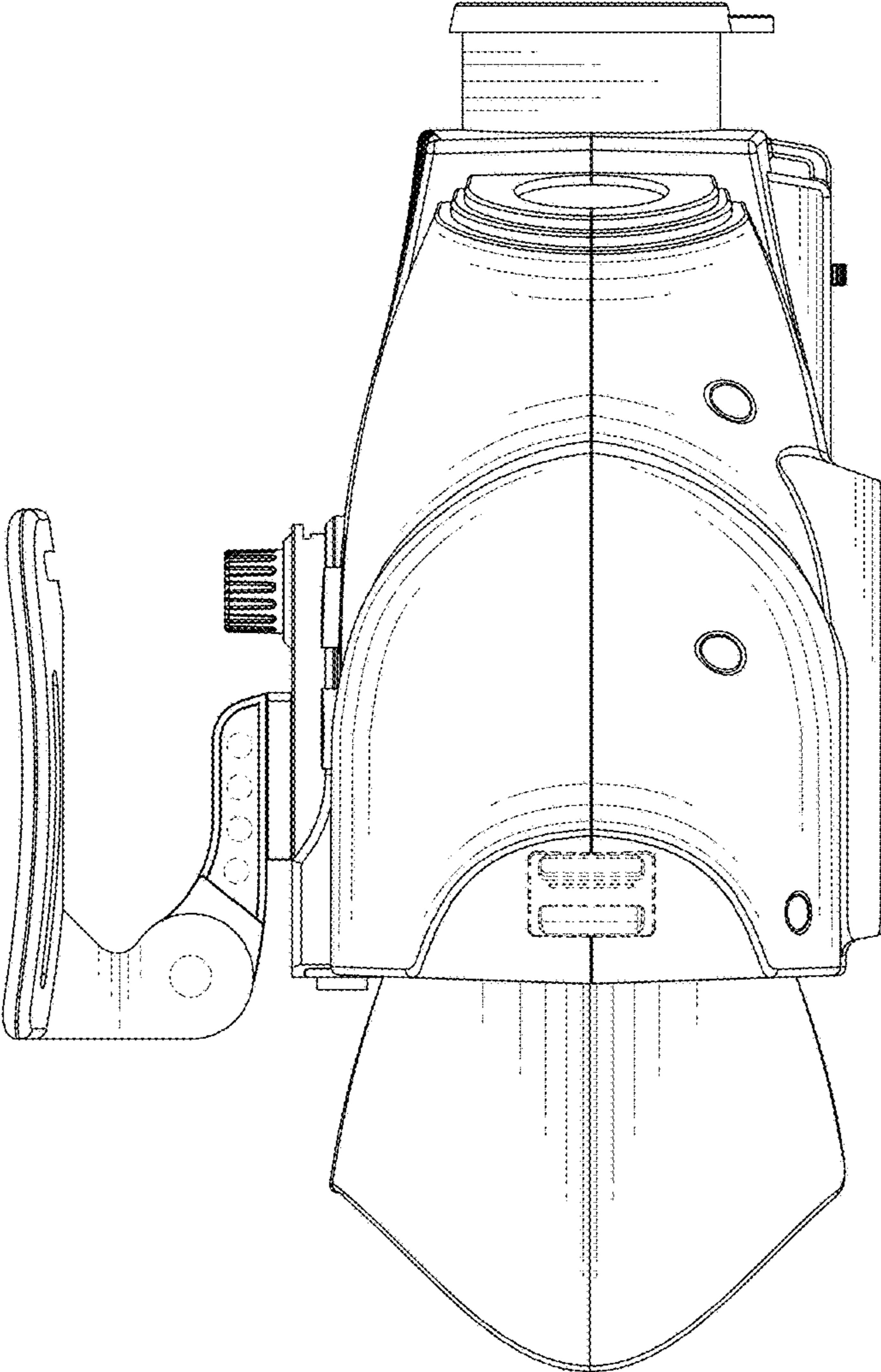


FIG. 11

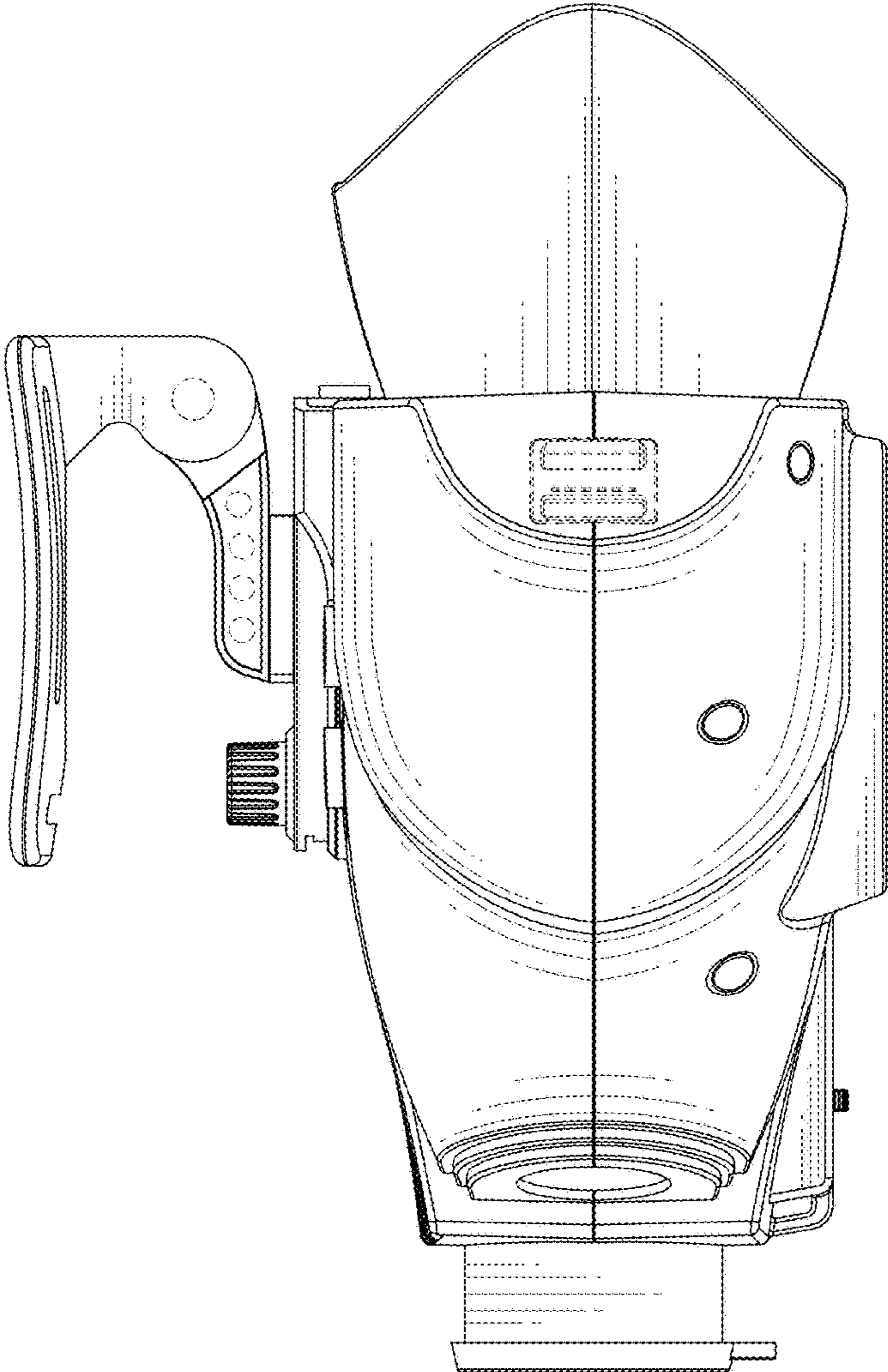


FIG. 12

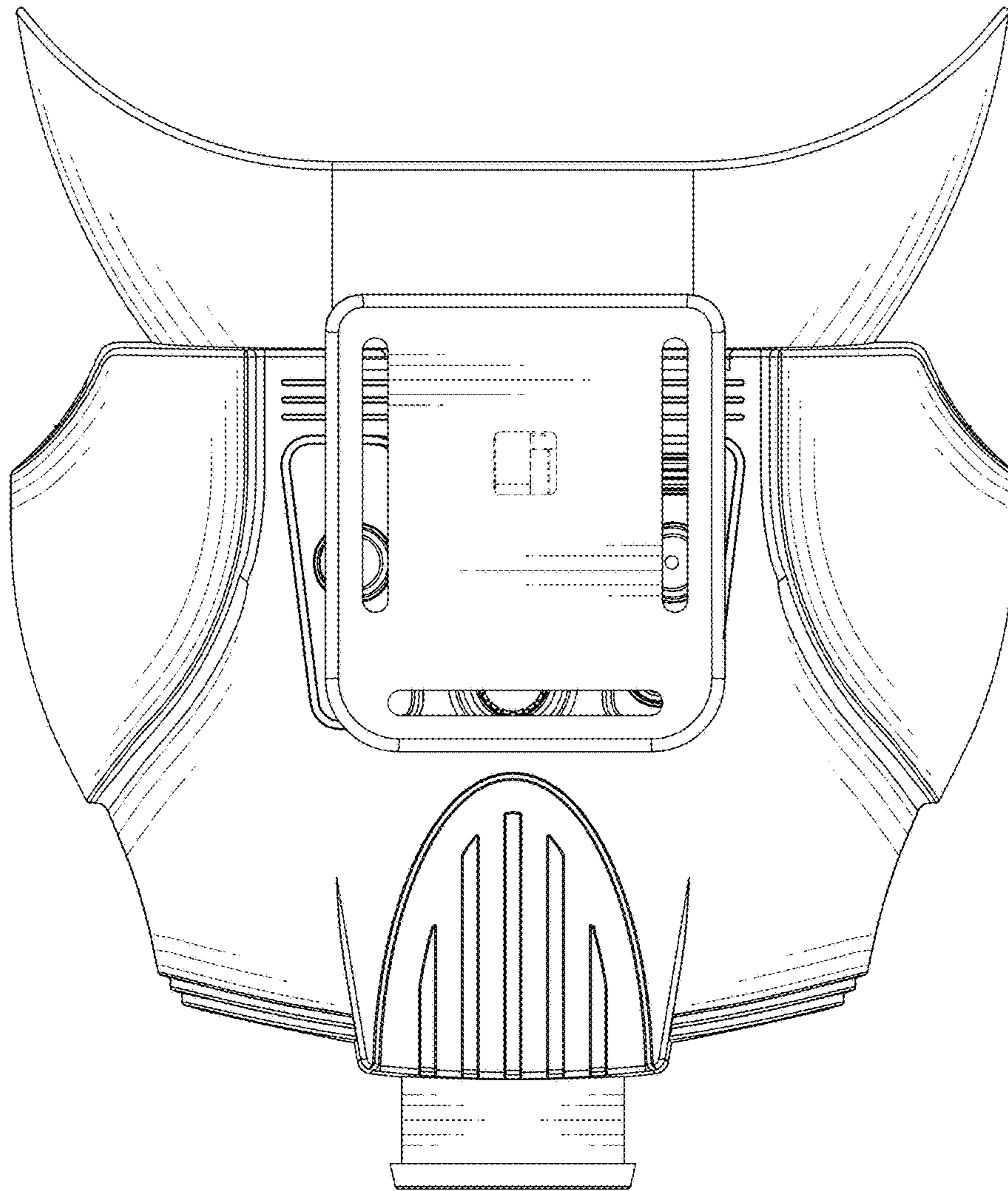


FIG. 13

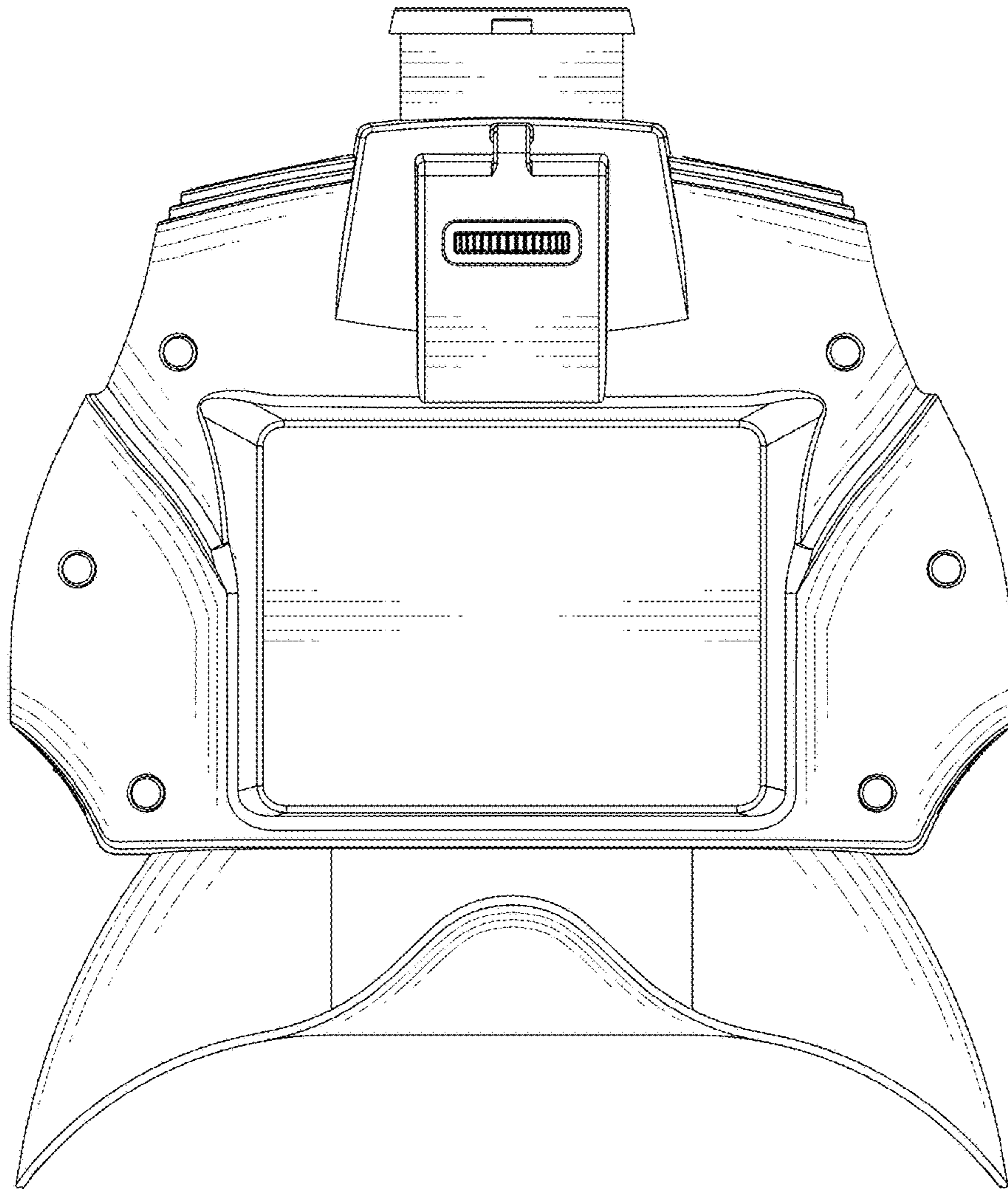


FIG. 14