



US00D851152S

(12) **United States Design Patent**
Hebert et al.

(10) **Patent No.:** **US D851,152 S**
(45) **Date of Patent:** **** Jun. 11, 2019**

- (54) **IMAGING DEVICE**
- (71) Applicant: **FLIR Surveillance, Inc.**, Wilsonville, OR (US)
- (72) Inventors: **James Hebert**, North Billerica, MA (US); **Carlos Santos**, Dracut, MA (US); **David Roy**, Salem, NH (US)
- (73) Assignee: **FLIR Surveillance, Inc.**, Wilsonville, OR (US)
- (**) Term: **15 Years**
- (21) Appl. No.: **29/640,477**
- (22) Filed: **Mar. 14, 2018**
- (51) **LOC (11) Cl.** **16-06**
- (52) **U.S. Cl.**
USPC **D16/131**
- (58) **Field of Classification Search**
USPC D16/130, 131, 133, 132, 134–136
CPC G02B 2027/0123; G02B 2027/0132
See application file for complete search history.

- D679,304 S * 4/2013 Delaney D16/133
- D752,670 S * 3/2016 Chen D16/132
- D800,864 S * 10/2017 Hartley D22/109
- D826,363 S * 8/2018 Kowalczyk, Jr. D22/109
- 10,047,941 B2 * 8/2018 Mock F21V 23/003
- D830,491 S * 10/2018 Mock D22/109

* cited by examiner

Primary Examiner — Mark A Goodwin

Assistant Examiner — Benjamin M Weeks

(74) *Attorney, Agent, or Firm* — Haynes and Boone, LLP

(57) **CLAIM**

The ornamental design for an imaging device, as shown and described.

DESCRIPTION

FIG. 1 is a front, left, and top perspective view of an imaging device embodying the new design;
 FIG. 2 is a back, left, and top perspective view thereof;
 FIG. 3 is a rear elevational view thereof;
 FIG. 4 is a front elevational view thereof;
 FIG. 5 is a left side view thereof;
 FIG. 6 is a right side view thereof;
 FIG. 7 is a top plan view thereof;
 FIG. 8 is a bottom plan view thereof;
 FIG. 9 is a front, left, and top perspective view of a second embodiment for an imaging device thereof, shown in FIGS. 1-8, having a window cover in an open in use position; and, FIG. 10 is a left side view thereof.

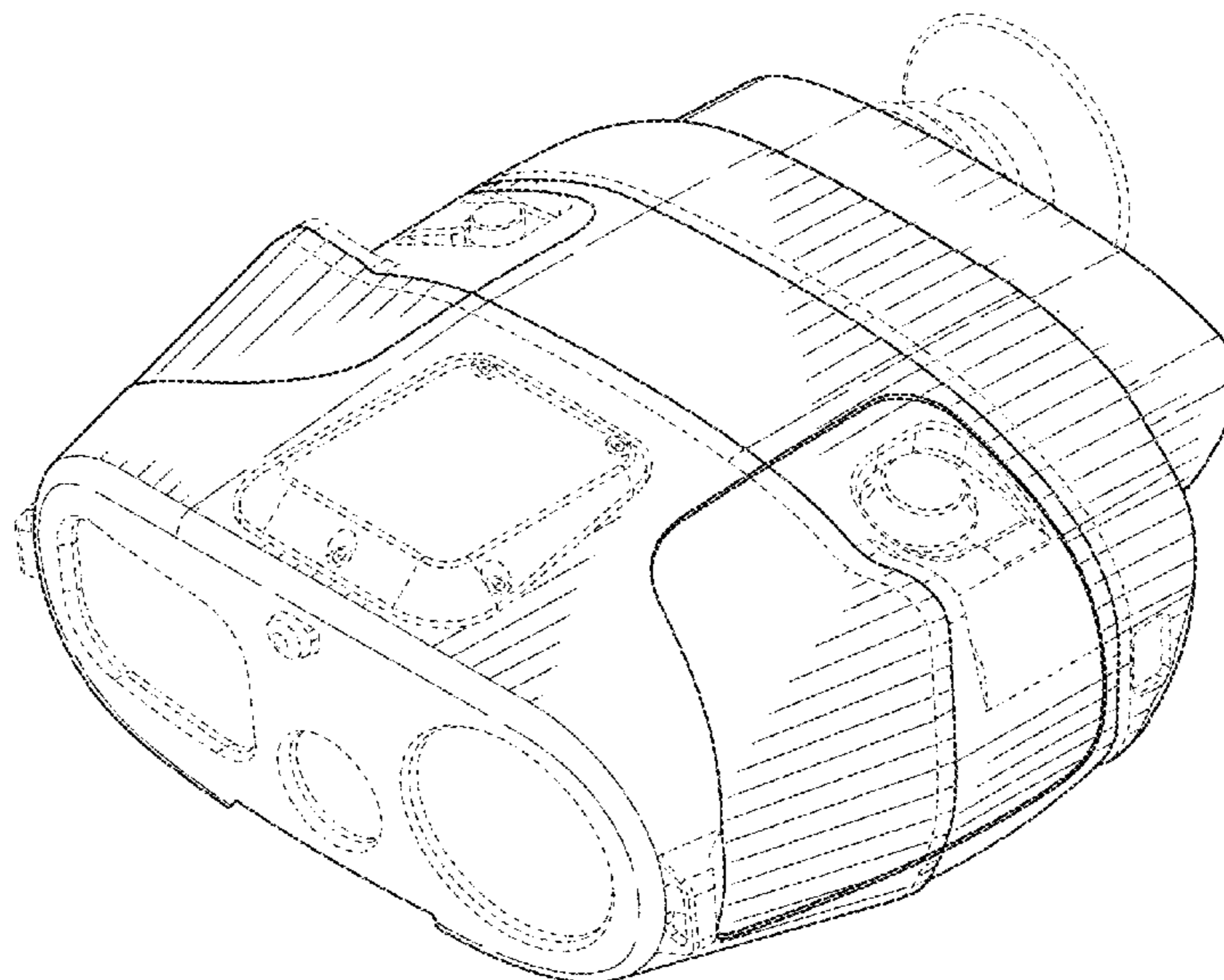
The broken lines in the figures are shown for the purpose of illustrating portions of the imaging device, optional accessories, and/or environmental matter and form no part of the claimed design.

1 Claim, 10 Drawing Sheets

(56) **References Cited**

U.S. PATENT DOCUMENTS

- 6,088,165 A * 7/2000 Janeczko G02B 23/125
250/214 VT
- D439,260 S * 3/2001 Matsushita D16/133
- D453,174 S * 1/2002 Koinuma D16/133
- 6,542,294 B2 * 4/2003 Funatsu G02B 23/00
359/407
- D502,201 S * 2/2005 Hines D16/133
- D522,551 S * 6/2006 Hayashi D16/133
- D568,508 S * 5/2008 Howe D26/38
- 7,901,072 B1 * 3/2011 Eagan G02B 27/0172
351/158
- D669,107 S * 10/2012 Yoneda D16/133



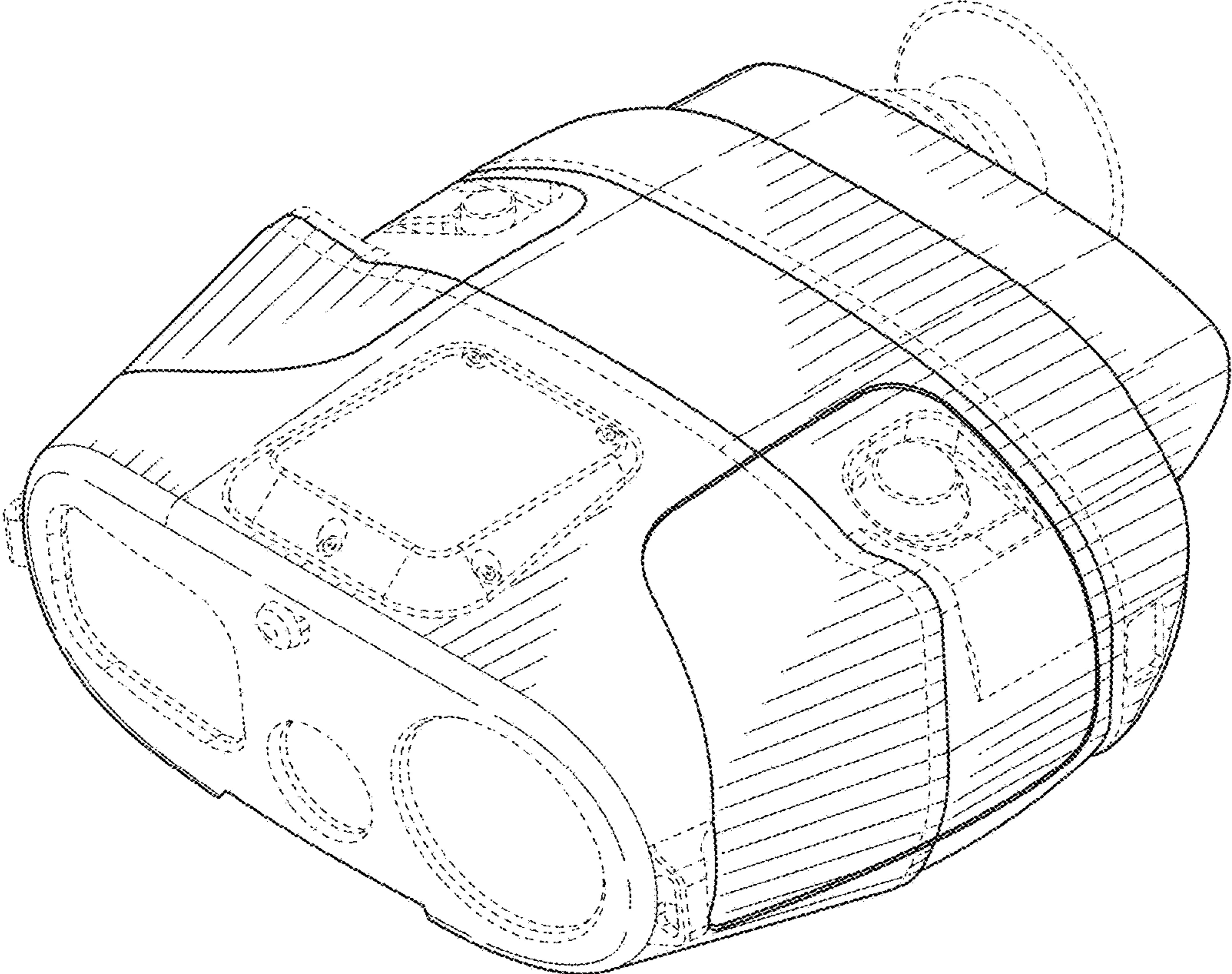


Fig. 1

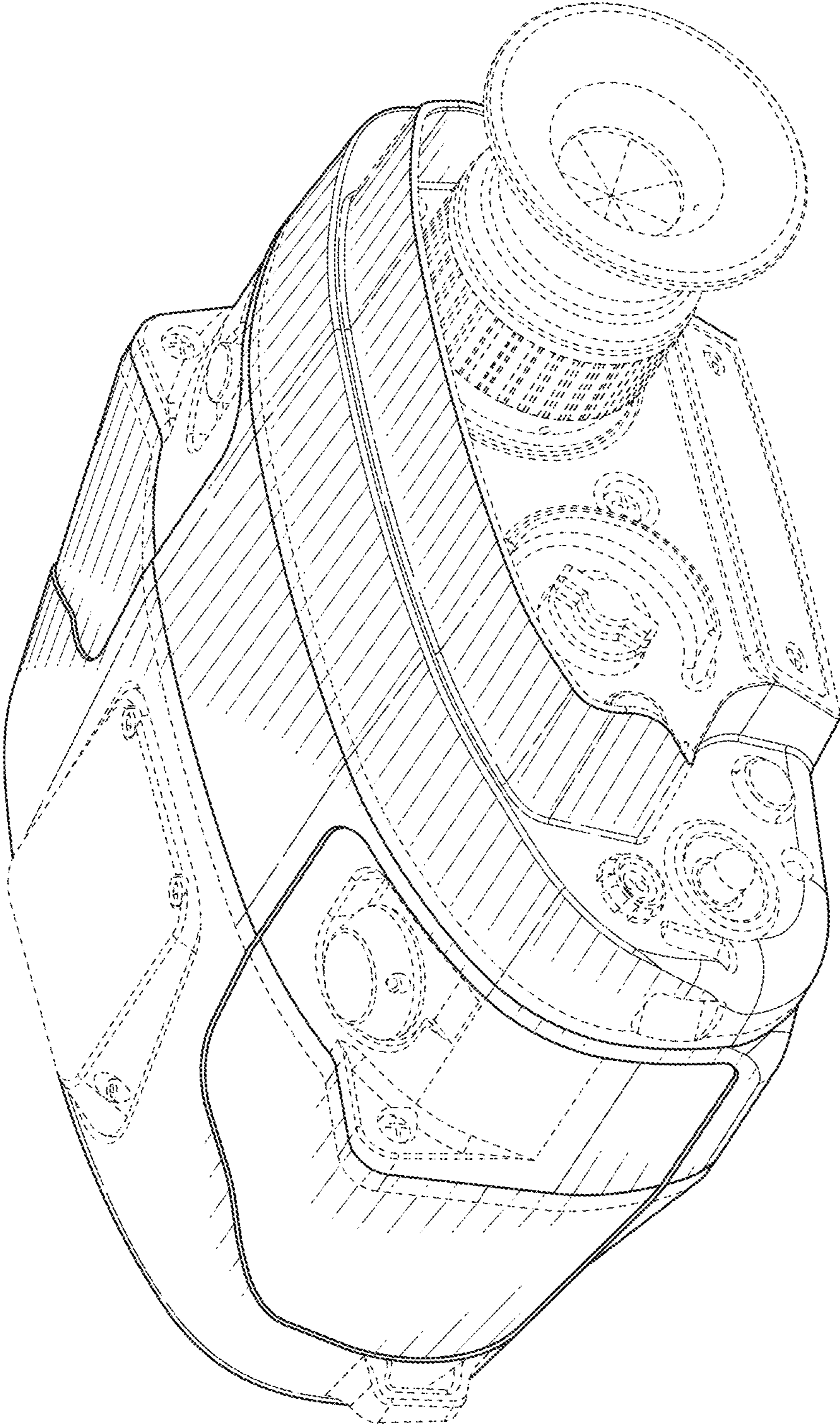


Fig. 2

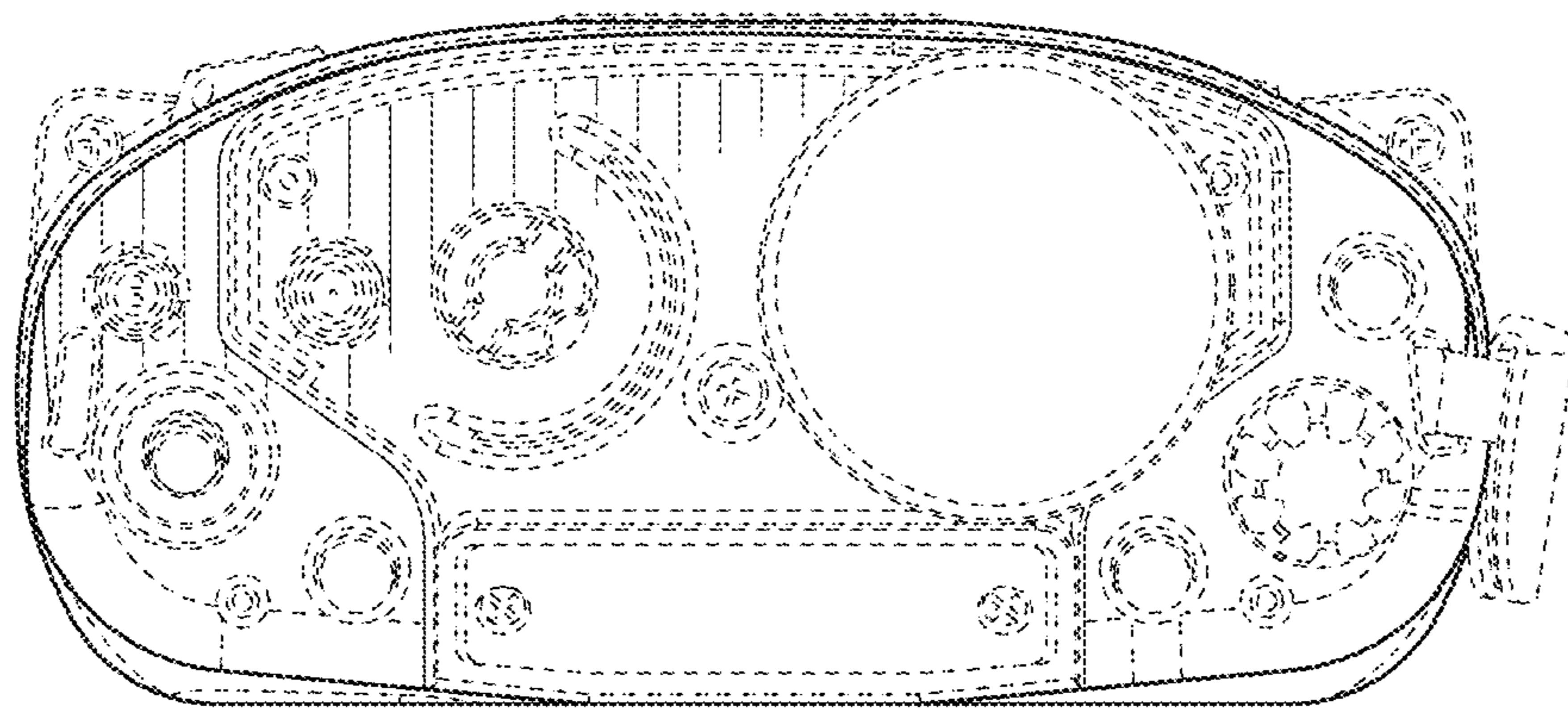


Fig. 3

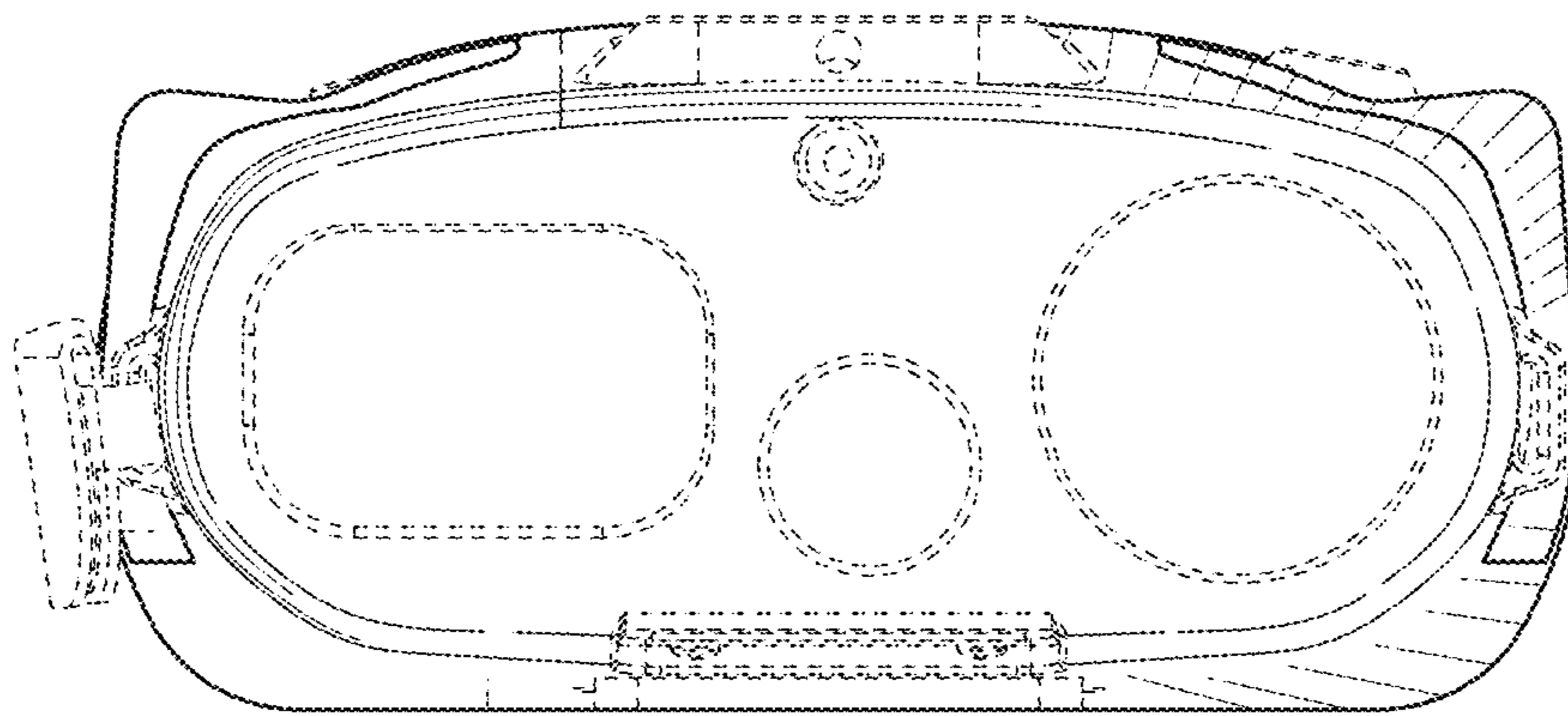


Fig. 4

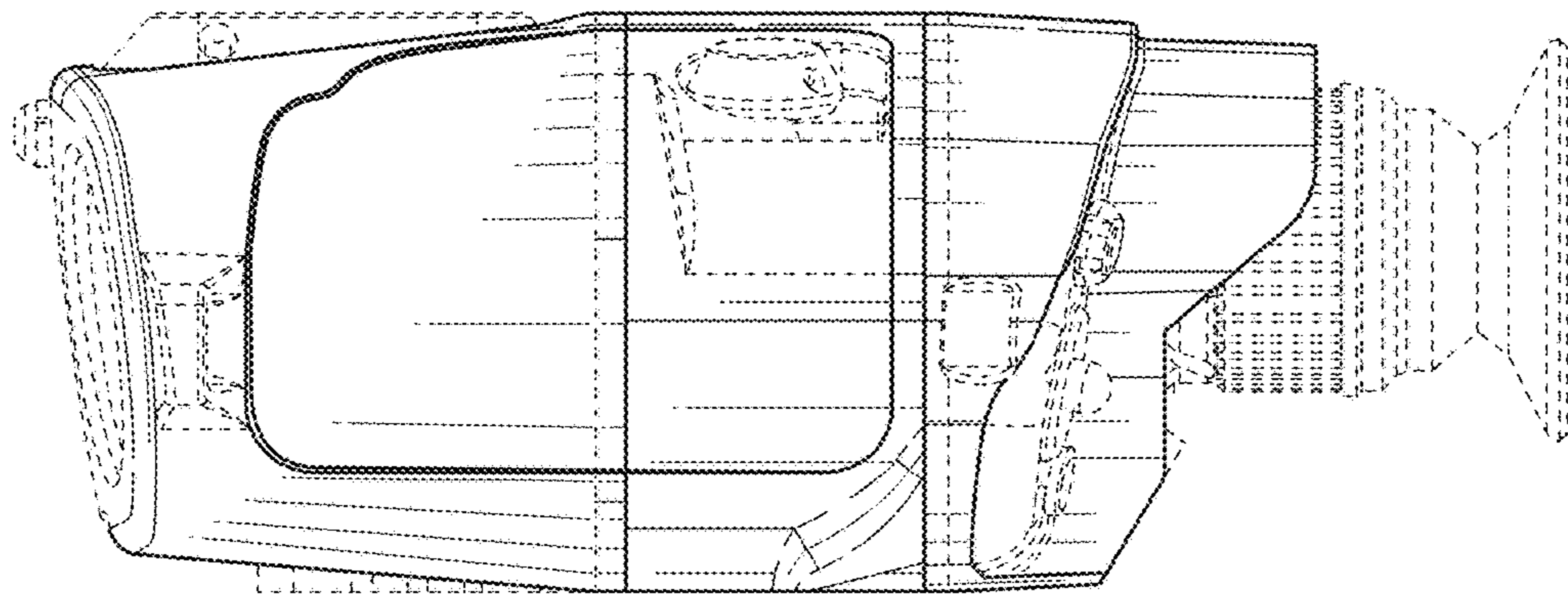


Fig. 5

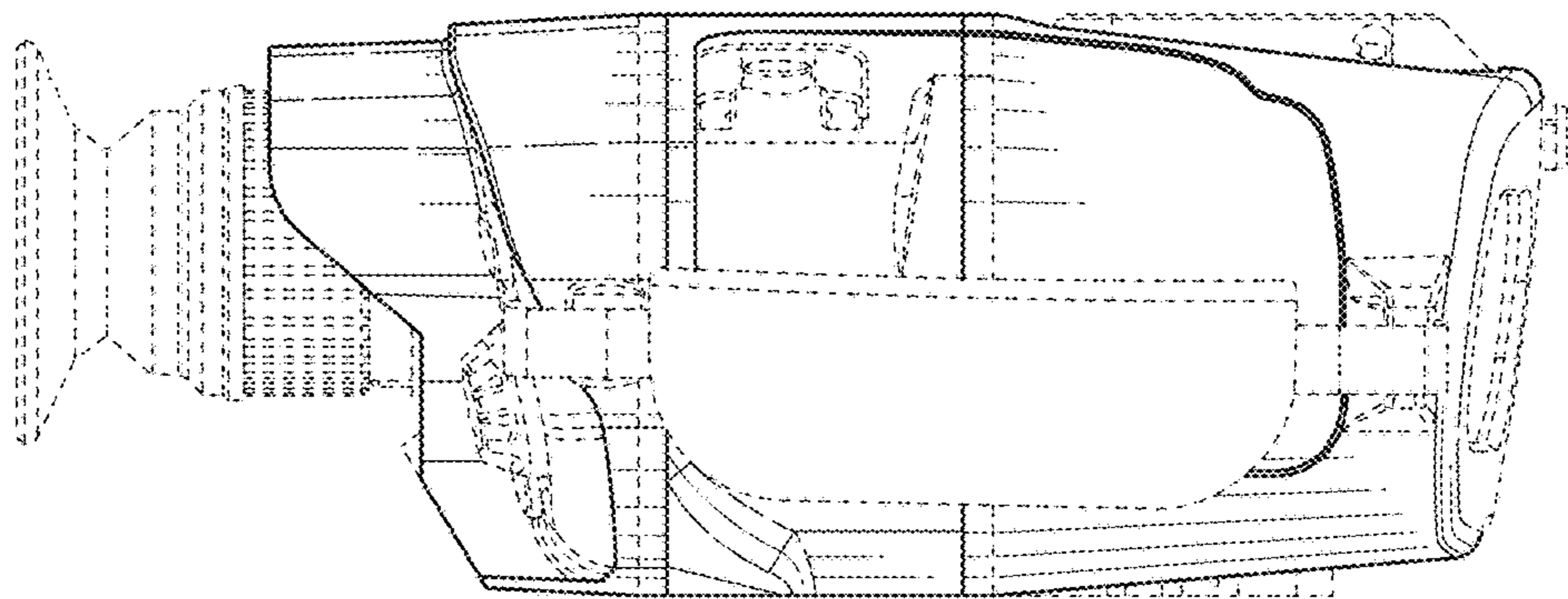


Fig. 6

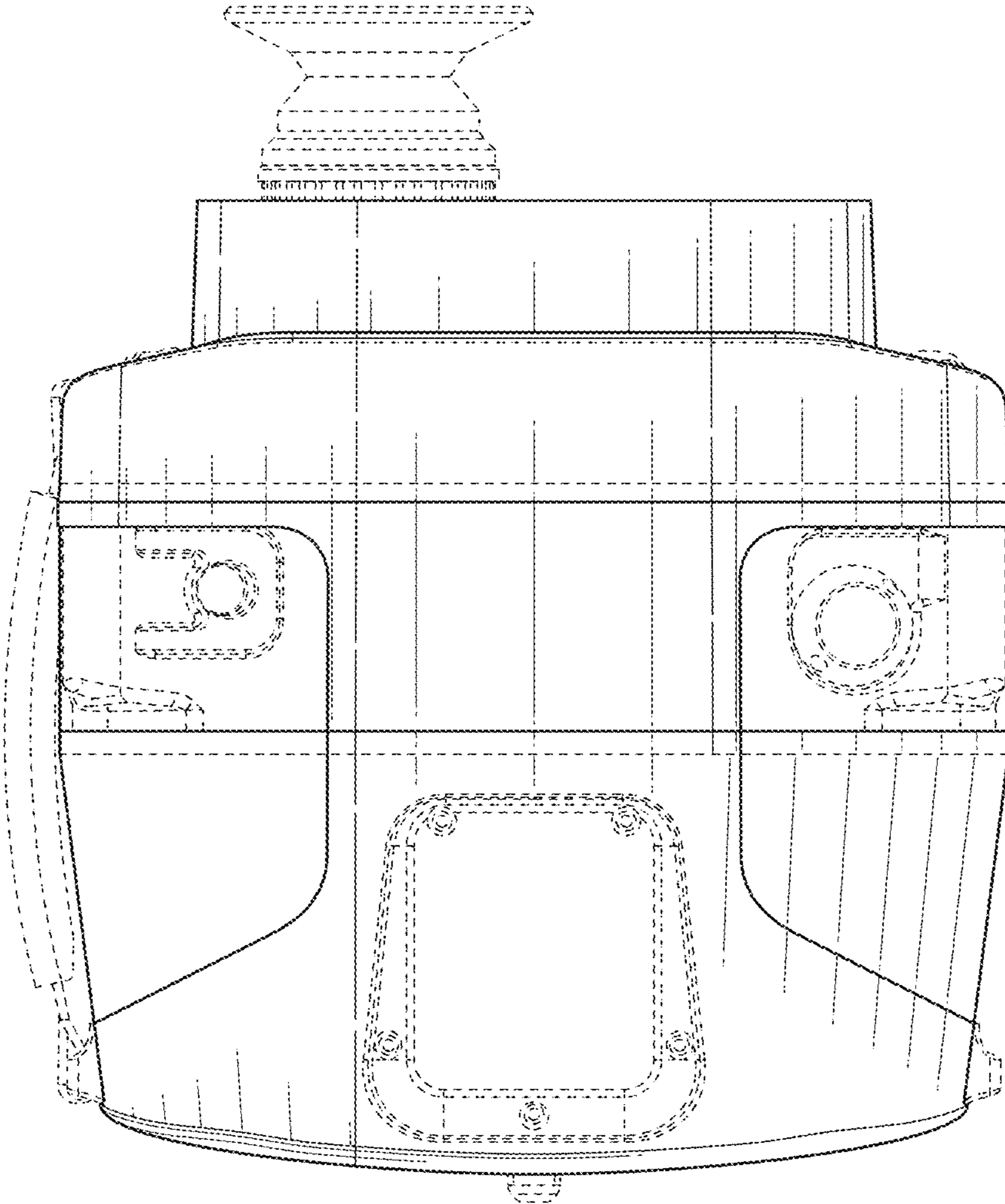


Fig. 7

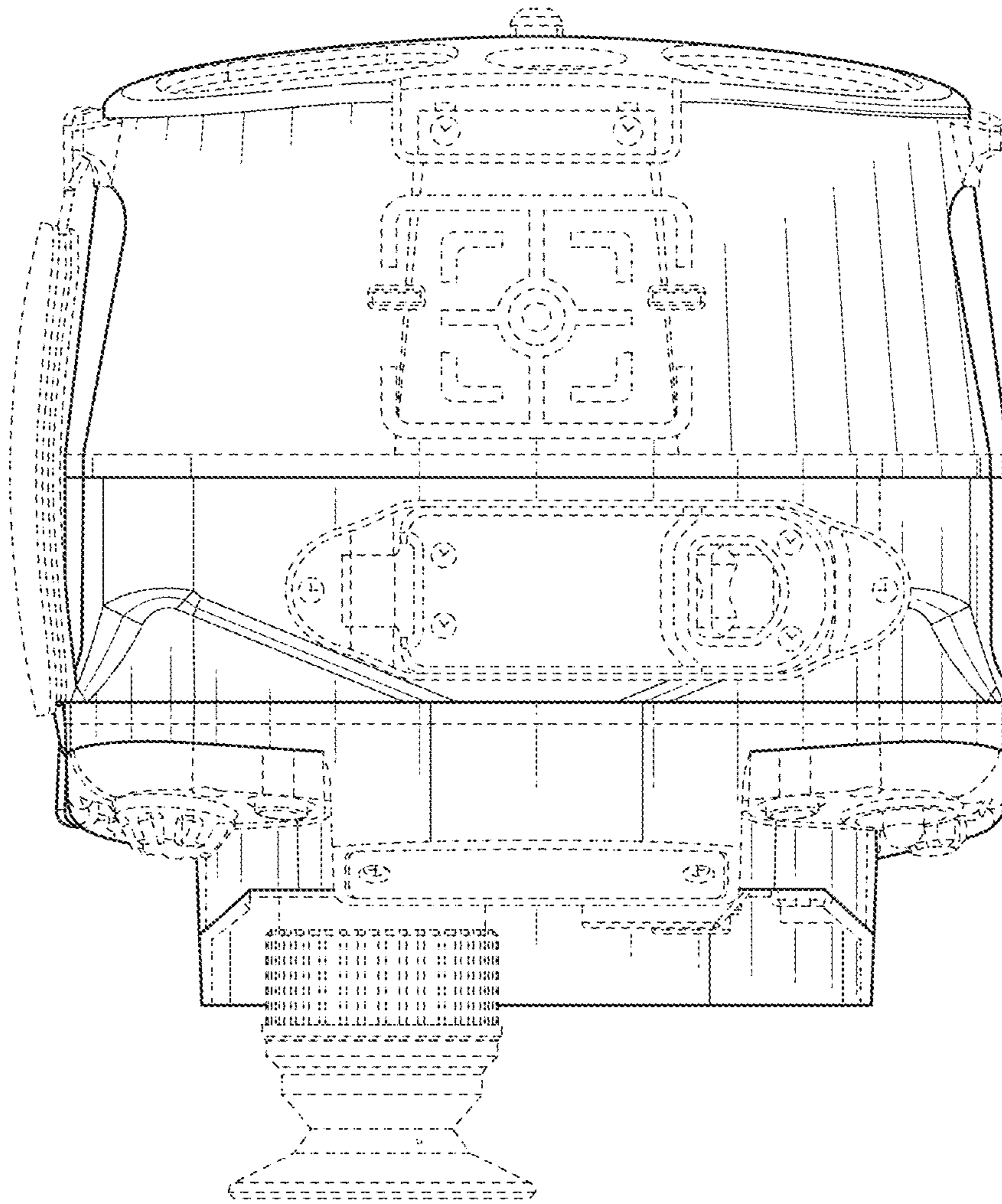


Fig. 8

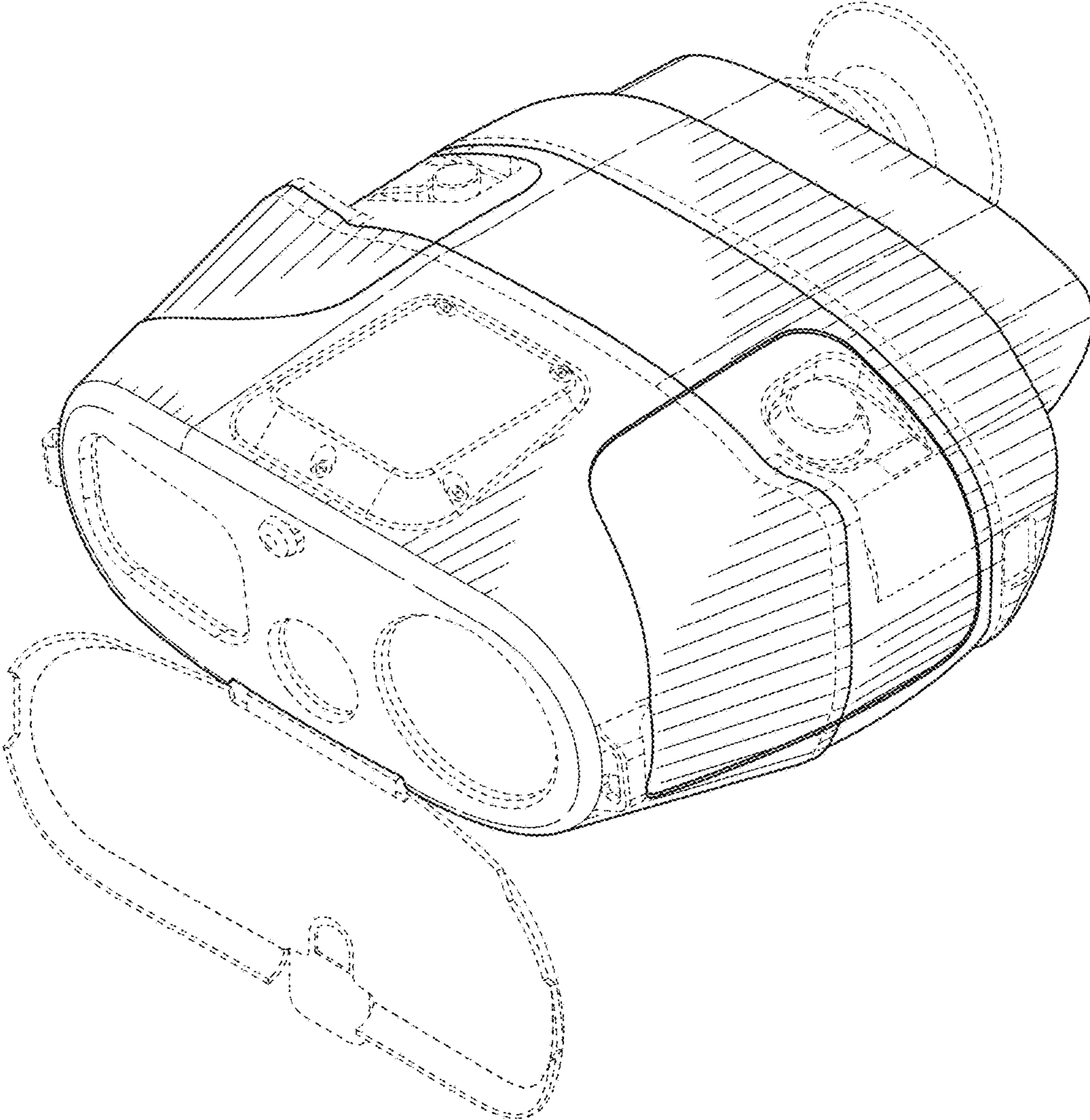


Fig. 9

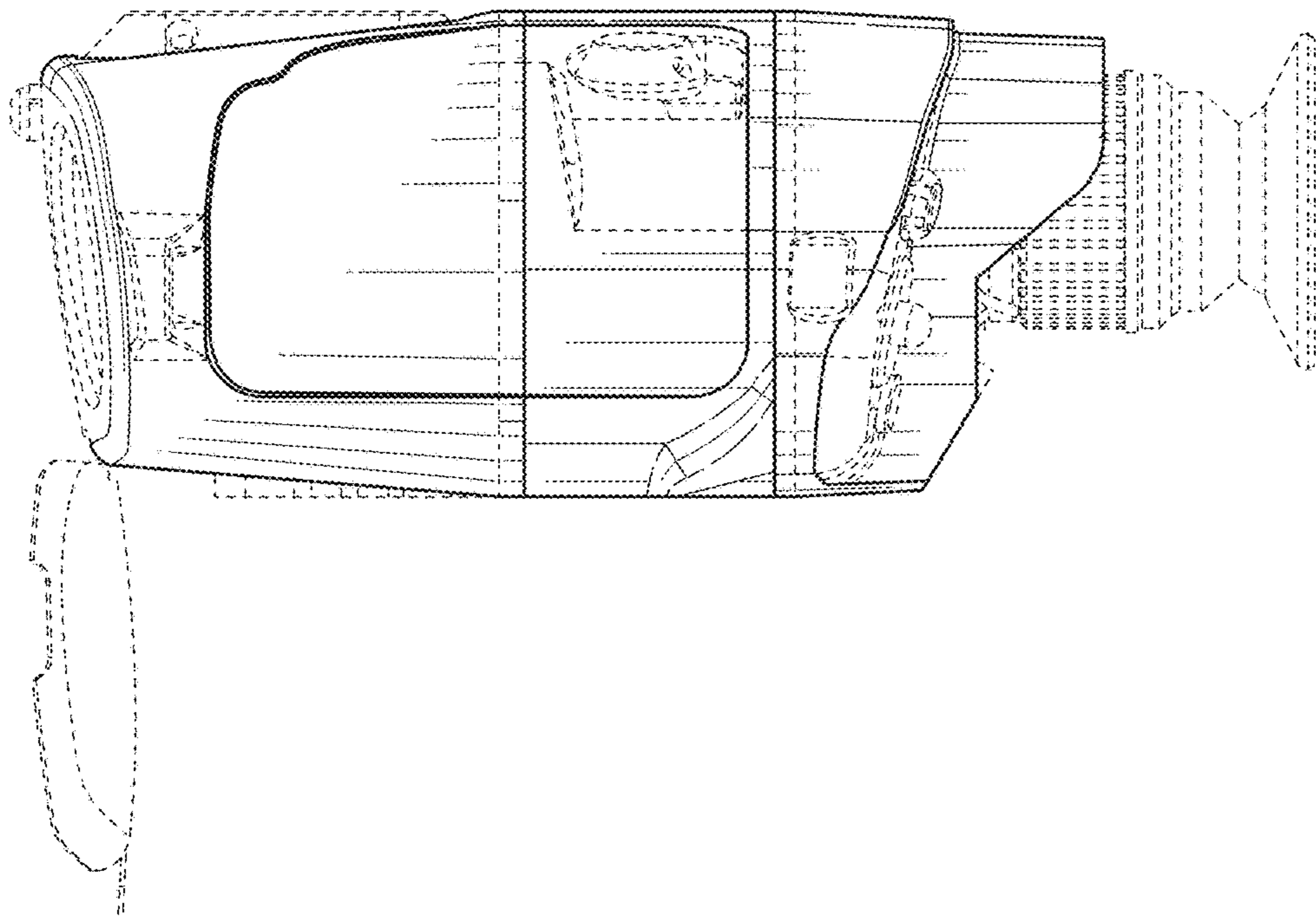


Fig. 10