



US00D851150S

(12) **United States Design Patent**  
**Spuhler et al.**

(10) **Patent No.:** **US D851,150 S**

(45) **Date of Patent:** **\*\* Jun. 11, 2019**

(54) **SLIDE ADAPTER**

(71) Applicant: **Cellular Research, Inc.**, Menlo Park, CA (US)

(72) Inventors: **Philipp S. Spuhler**, Redwood City, CA (US); **Christopher G. Cesar**, Menlo Park, CA (US); **Janice H. Lai**, Mountain View, CA (US); **Geoffrey R. Facer**, Redwood City, CA (US); **Sixing Li**, Mountain View, CA (US)

(73) Assignee: **Cellular Research, Inc.**, Menlo Park, CA (US)

(\*\*) Term: **15 Years**

(21) Appl. No.: **29/614,039**

(22) Filed: **Aug. 15, 2017**

(51) **LOC (11) Cl.** ..... **16-06**

(52) **U.S. Cl.**  
USPC ..... **D16/131; D16/130**

(58) **Field of Classification Search**  
USPC ..... **D16/237-250, 130-132; D14/251, 253; D8/300, 306, 316**  
CPC . **G03B 17/56; G03B 17/561-568; A45F 5/00; A45F 5/10**

See application file for complete search history.

(56) **References Cited**

U.S. PATENT DOCUMENTS

D380,765 S *	7/1997	Kernan .....	D16/236
D468,022 S *	12/2002	Henderson .....	D16/131
D632,403 S *	2/2011	Griffiths .....	D24/227
D632,717 S *	2/2011	Maerzhaeuser .....	D16/131
D653,274 S *	1/2012	Brooker .....	D16/131

\* cited by examiner

*Primary Examiner* — Vy N Koenig

(74) *Attorney, Agent, or Firm* — Knobbe Martens Olson & Bear, LLP

(57) **CLAIM**

The ornamental design for a slide adapter, as shown and described .

**DESCRIPTION**

FIG. 1 is a top perspective view of a slide adapter embodying the new design.

FIG. 2 is a bottom perspective view thereof.

FIG. 3 is a first side view thereof.

FIG. 4 is a second side view thereof taken from the opposite side of FIG. 3.

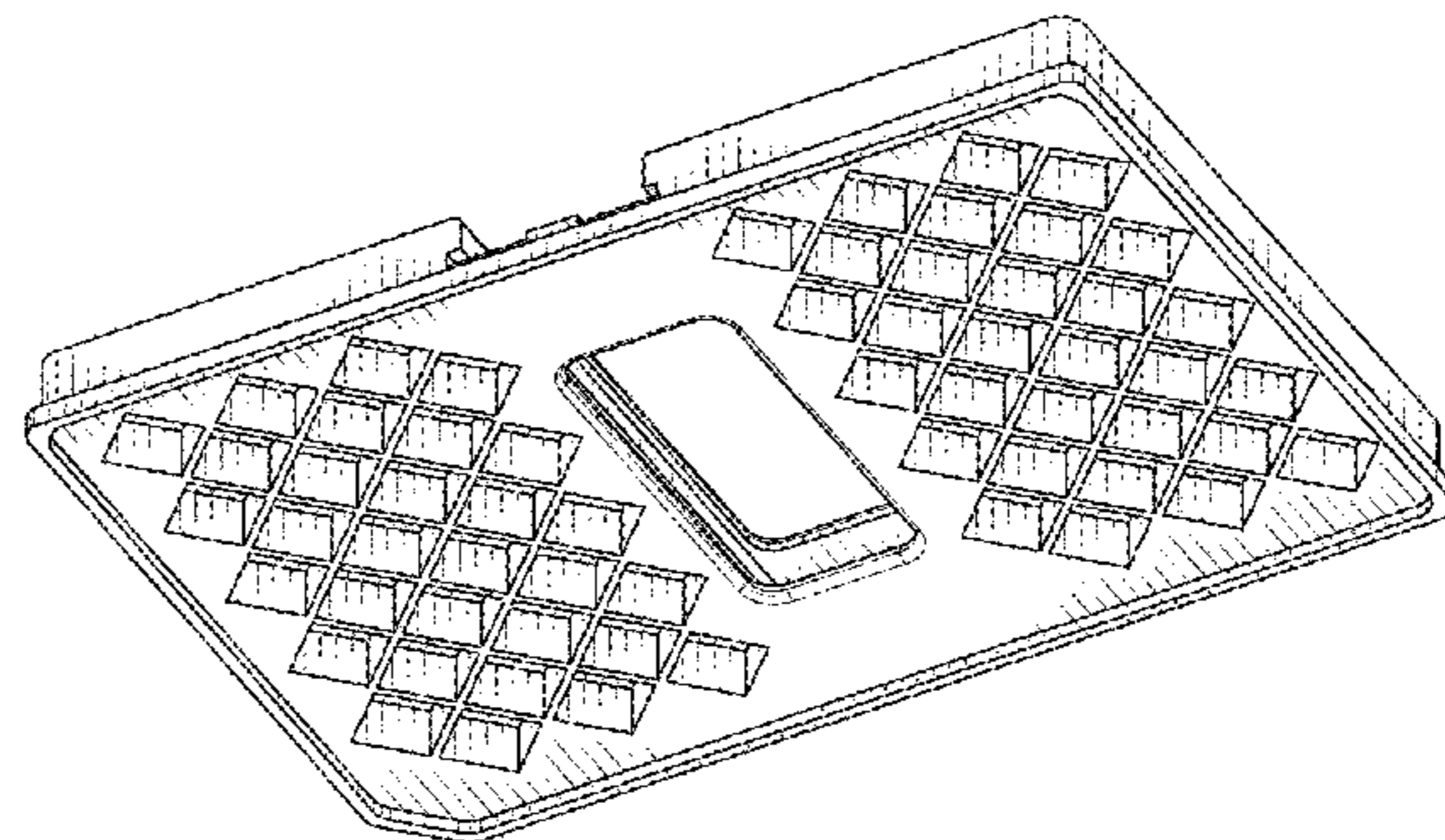
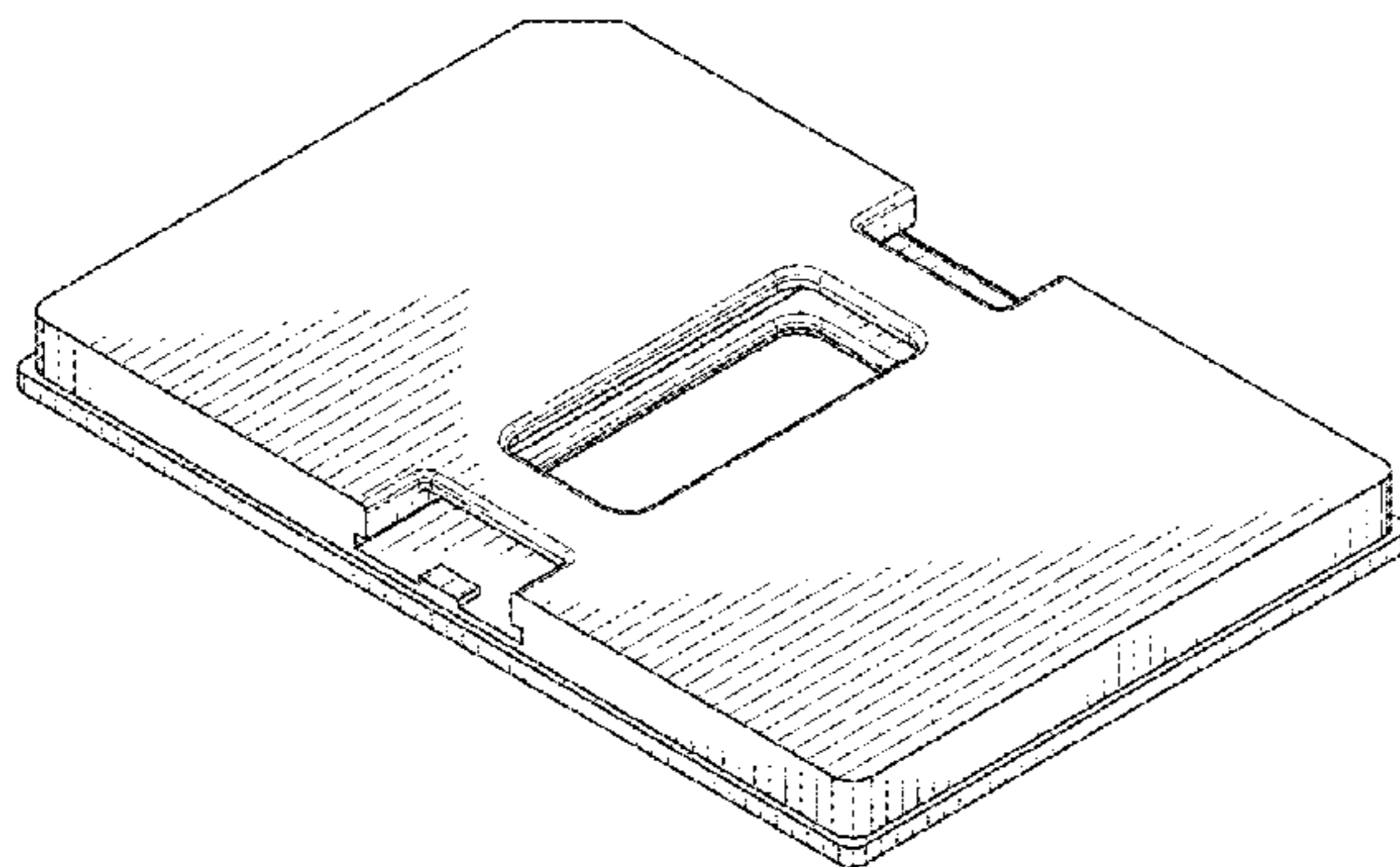
FIG. 5 is a third side view thereof.

FIG. 6 is a fourth side view thereof taken from the opposite side of FIG. 5.

FIG. 7 is a top view thereof; and,

FIG. 8 is a bottom view thereof.

**1 Claim, 3 Drawing Sheets**



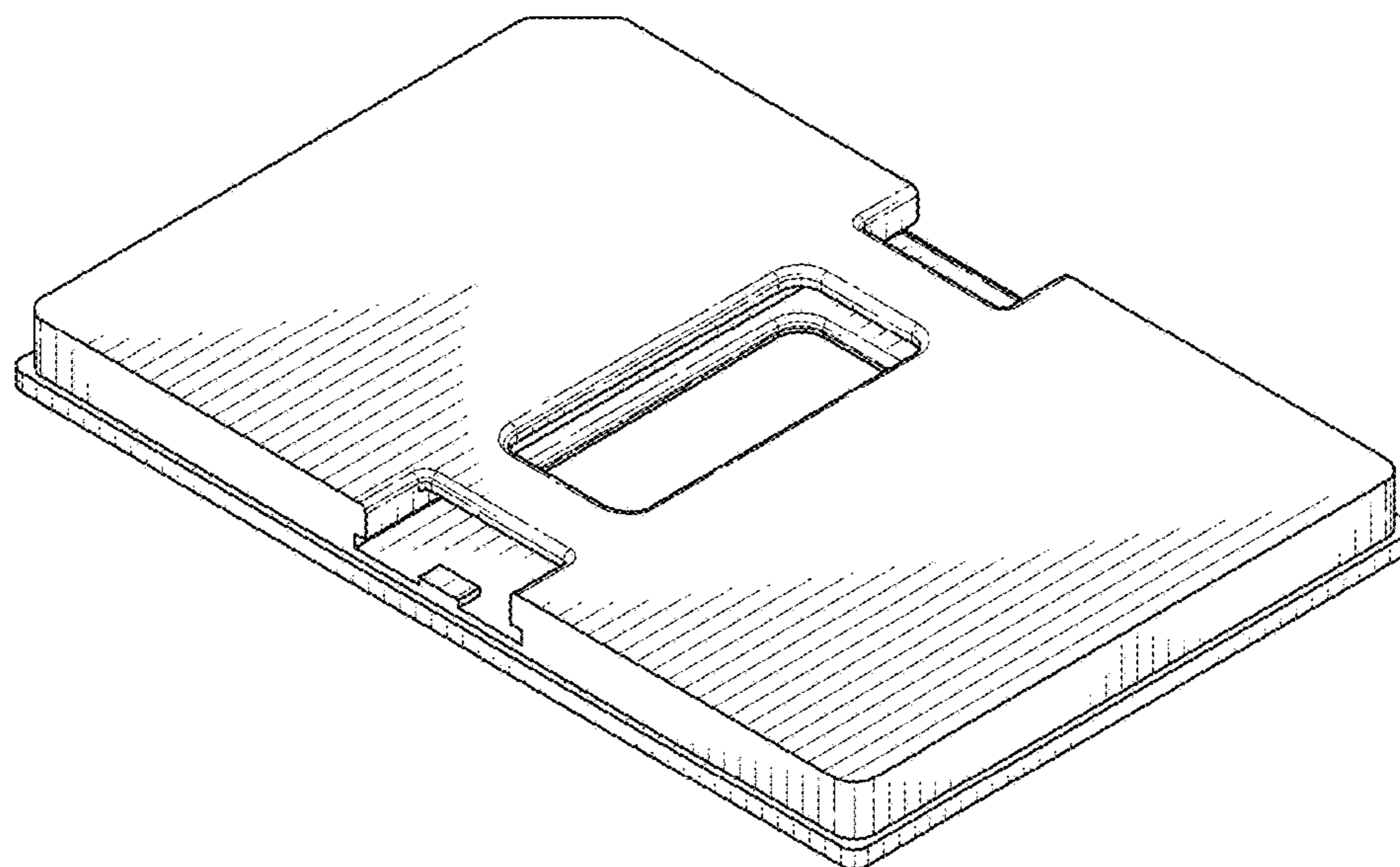


FIG. 1

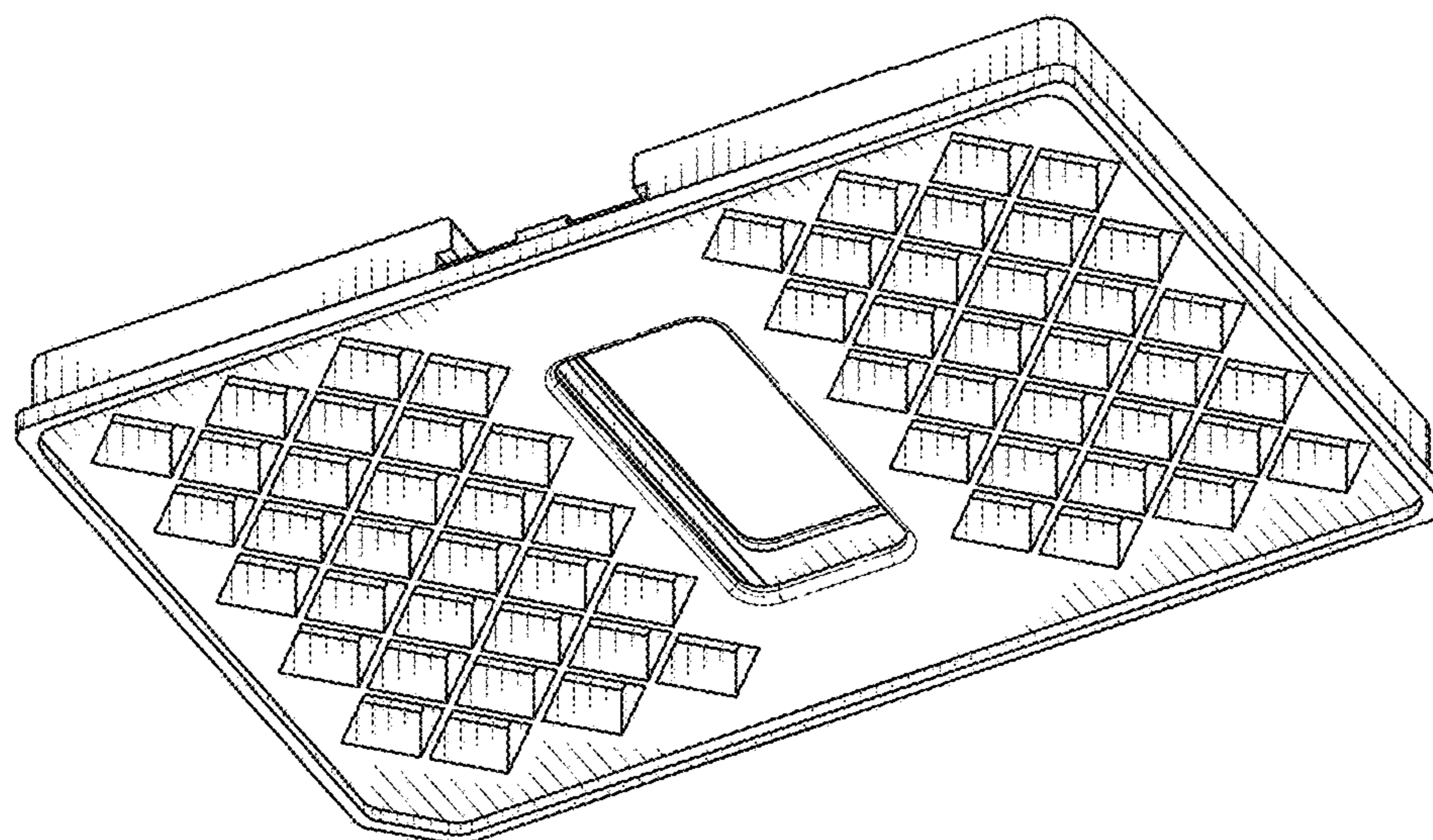


FIG. 2

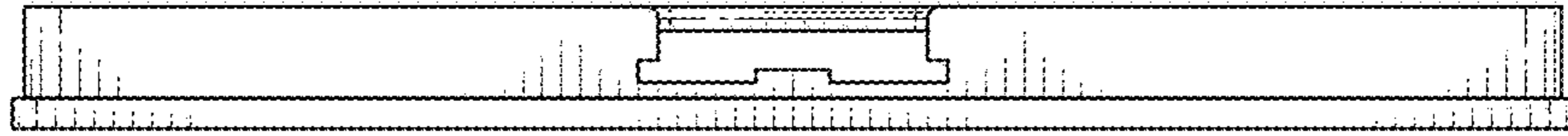


FIG. 3

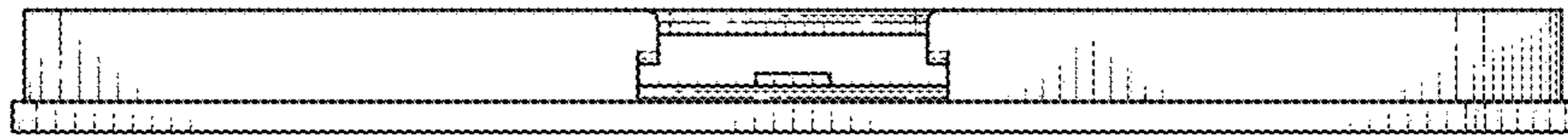


FIG. 4

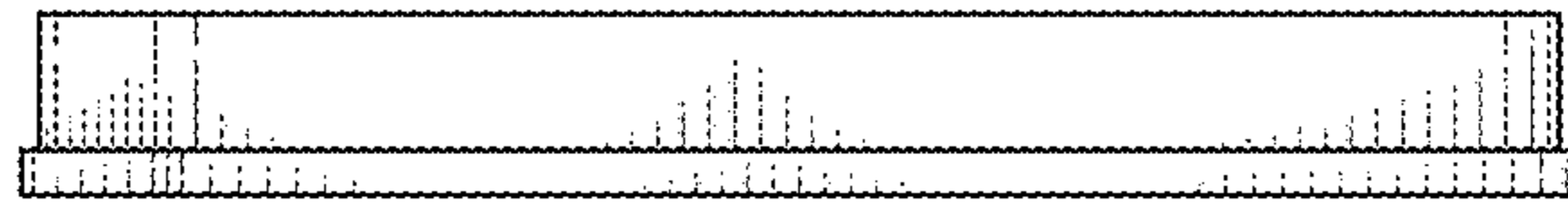


FIG. 5

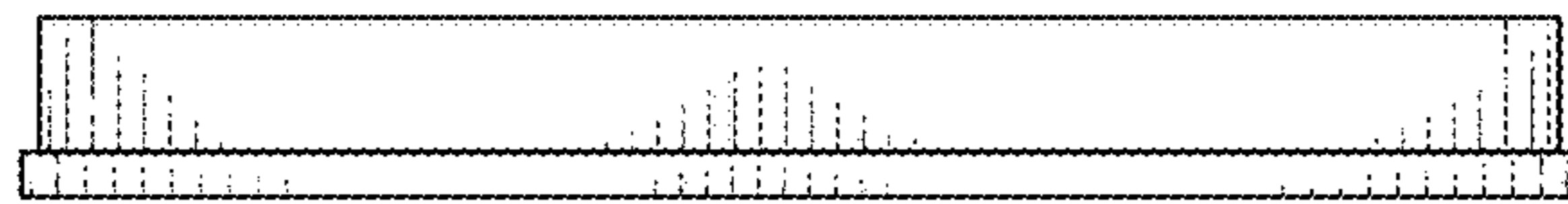


FIG. 6

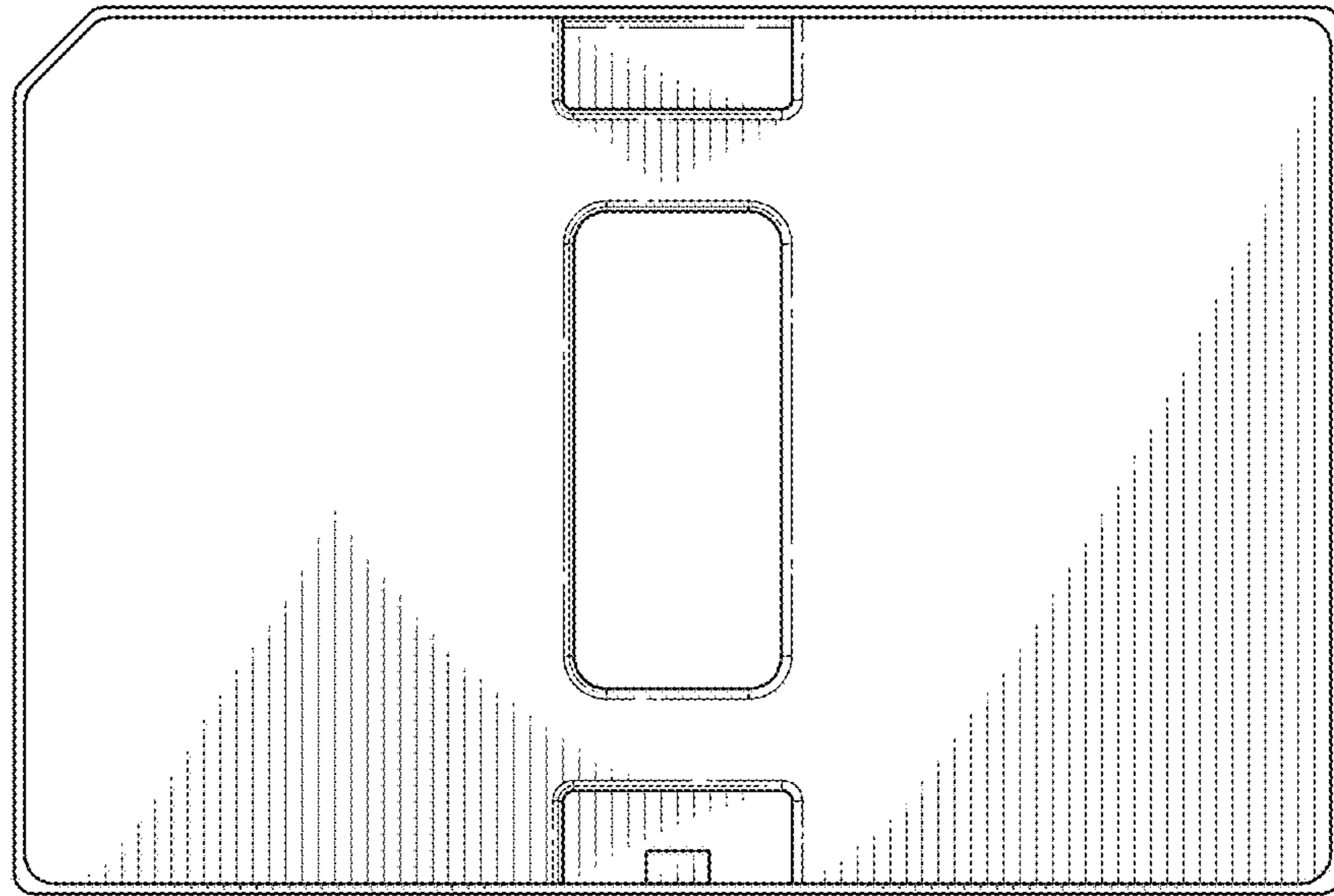


FIG. 7

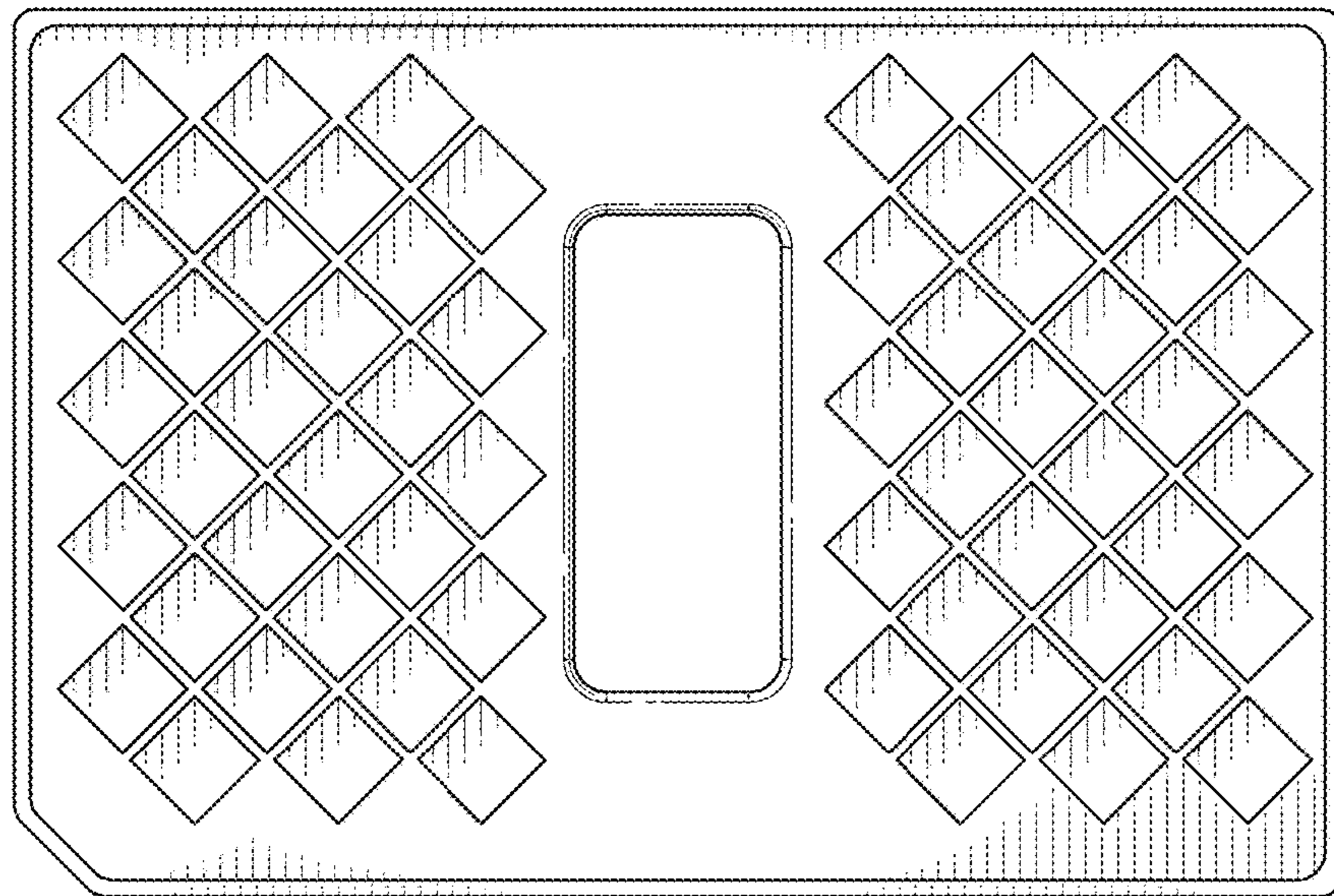


FIG. 8