



US00D851145S

(12) **United States Design Patent**
Davis

(10) **Patent No.:** **US D851,145 S**
(45) **Date of Patent:** **** Jun. 11, 2019**

- (54) **MODULAR FLYWHEEL HOLESAW**
- (71) Applicant: **John D. Davis**, Herriman, UT (US)
- (72) Inventor: **John D. Davis**, Herriman, UT (US)
- (**) Term: **15 Years**
- (21) Appl. No.: **29/672,090**
- (22) Filed: **Dec. 3, 2018**

5,651,646	A	7/1997	Banke et al.
5,931,614	A	8/1999	Meyen et al.
6,007,279	A	12/1999	Malone, Jr.
6,015,248	A	1/2000	Elliott et al.
6,099,214	A	8/2000	Lee et al.
6,152,661	A	11/2000	Thrasher
6,857,831	B2	2/2005	Davis
8,840,344	B2	9/2014	Stenman
2004/0161313	A1	8/2004	Nordlin
2015/0381012	A1*	12/2015	Dugas H02K 7/025 310/74
2018/0147437	A1*	5/2018	Wu A63B 21/00192
2019/0011010	A1*	1/2019	Shaw F16F 15/31
2019/0032643	A1*	1/2019	Novak F03G 3/08

Related U.S. Application Data

- (63) Continuation of application No. 29/626,827, filed on Nov. 20, 2017, now abandoned.
- (51) **LOC (11) Cl.** **15-09**
- (52) **U.S. Cl.**
USPC **D15/139**
- (58) **Field of Classification Search**
USPC D8/20, 70; D15/126, 131, 138, 139, 140
CPC B23B 51/0433; B23C 5/109; B23C 5/207;
Y10T 408/895; Y10T 408/8957
See application file for complete search history.

OTHER PUBLICATIONS

Davis, John D., "Modular Flywheel Holesaw System", U.S. Appl. No. 15/818,699, filed Nov. 20, 2017, 18 Pages.
Office Action, U.S. Appl. No. 15/818,699, filed Nov. 20, 2018, dated Sep. 12, 2018, 11 Pages.

* cited by examiner

Primary Examiner — Patricia A Palasik
(74) *Attorney, Agent, or Firm* — Goff IP Law PLLC;
Jared S. Goff

(56) **References Cited**

U.S. PATENT DOCUMENTS

351,059	A	10/1886	Maloy
1,669,273	A	5/1928	Wojnowski
2,803,153	A	8/1957	Golbeck
3,138,183	A	6/1964	Stewart
3,837,759	A	9/1974	Bittern
4,090,804	A	5/1978	Haley
4,239,427	A	12/1980	Walton, II
4,295,763	A	10/1981	Cunniff
4,669,928	A	6/1987	Mediavilla
5,035,550	A	7/1991	Ajimi
5,451,126	A	9/1995	Brun
5,597,274	A	1/1997	Behner

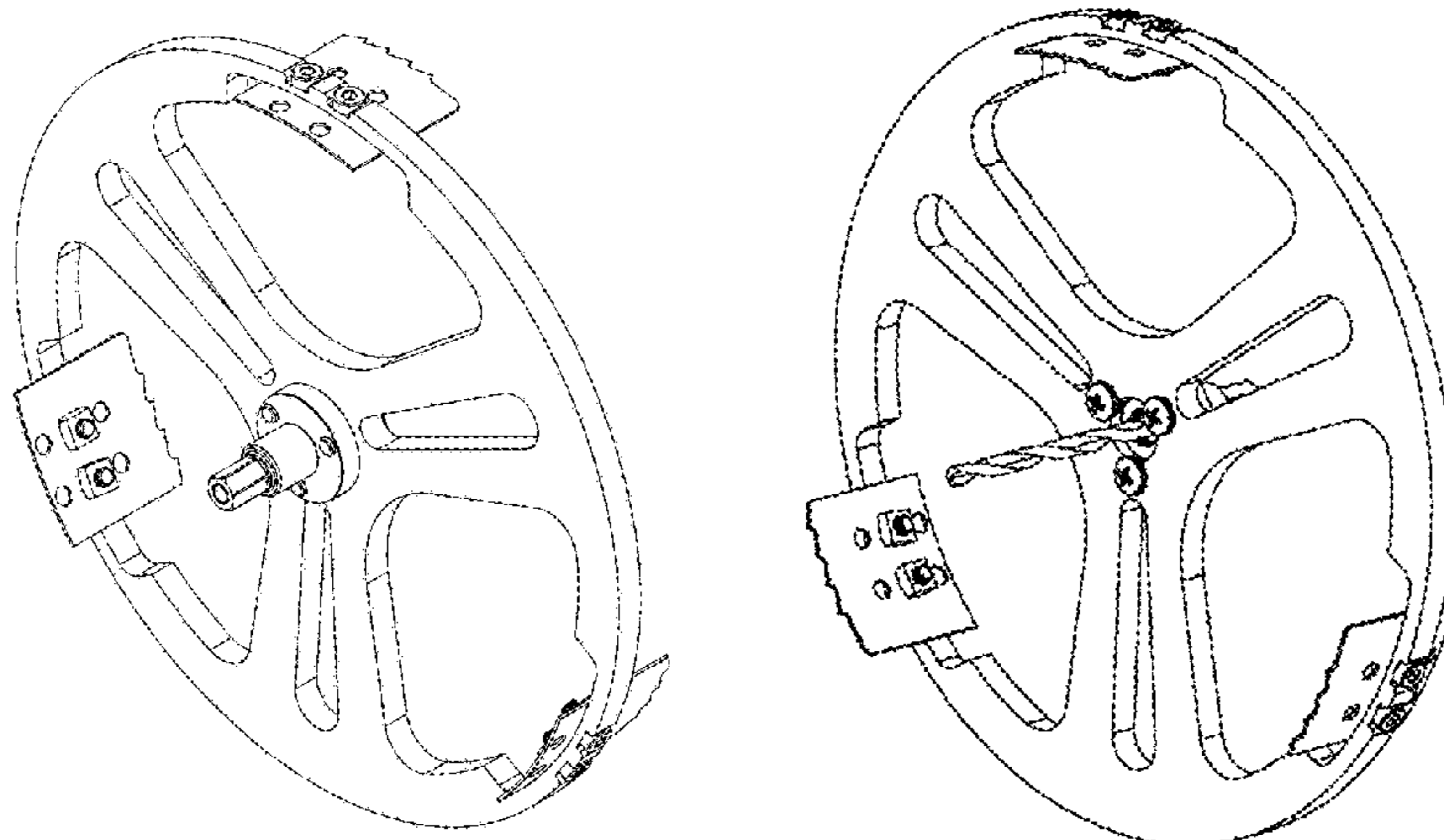
(57) **CLAIM**

The ornamental design for a modular flywheel holesaw, as shown and described.

DESCRIPTION

FIG. 1 is a frontal perspective view of the invention.
FIG. 2 is a back perspective view of the invention.
FIG. 3 is a front view of the invention.
FIG. 4 is a back view of the invention; and,
FIG. 5 is a side view of the invention.

1 Claim, 5 Drawing Sheets



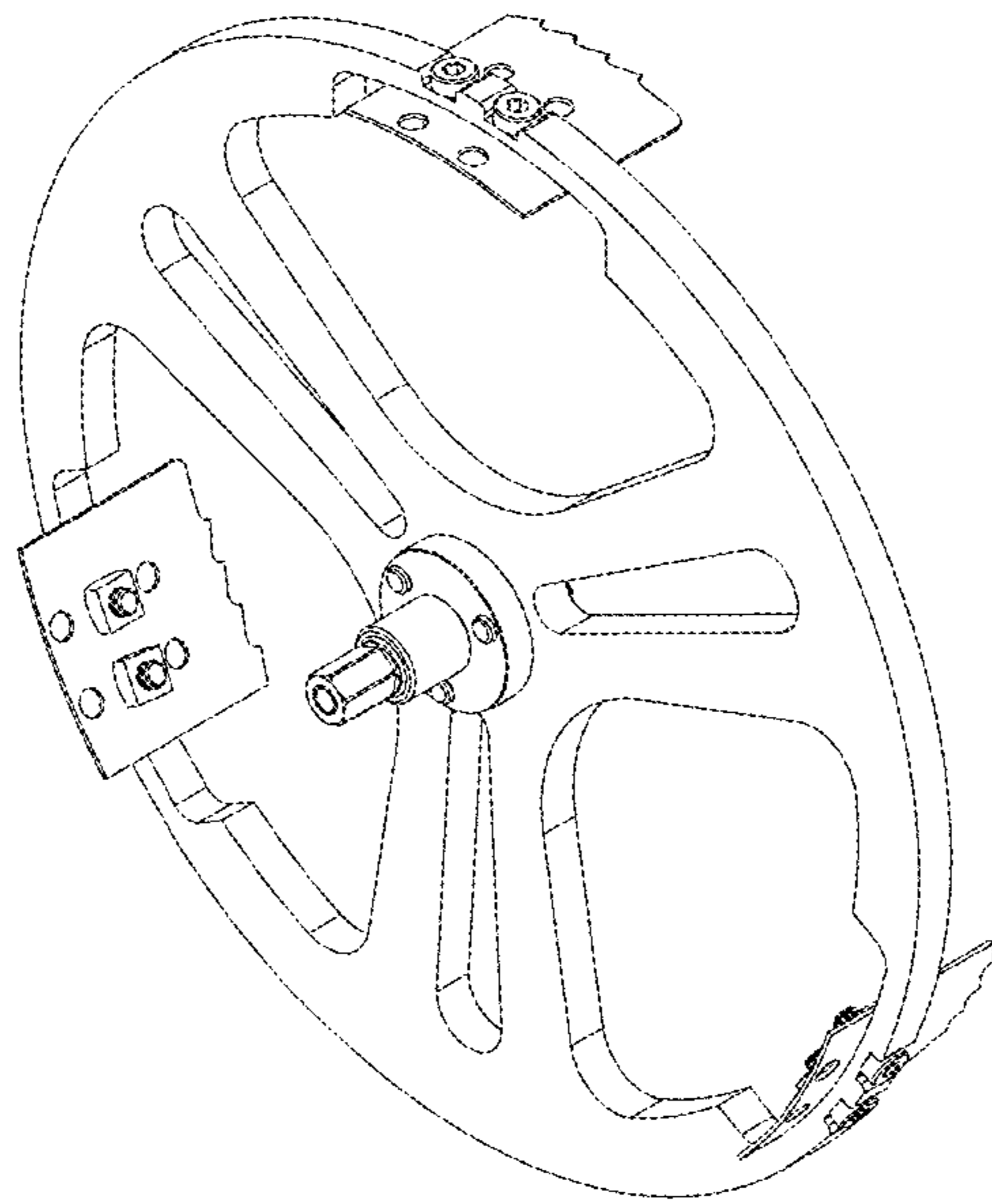


Fig. 1

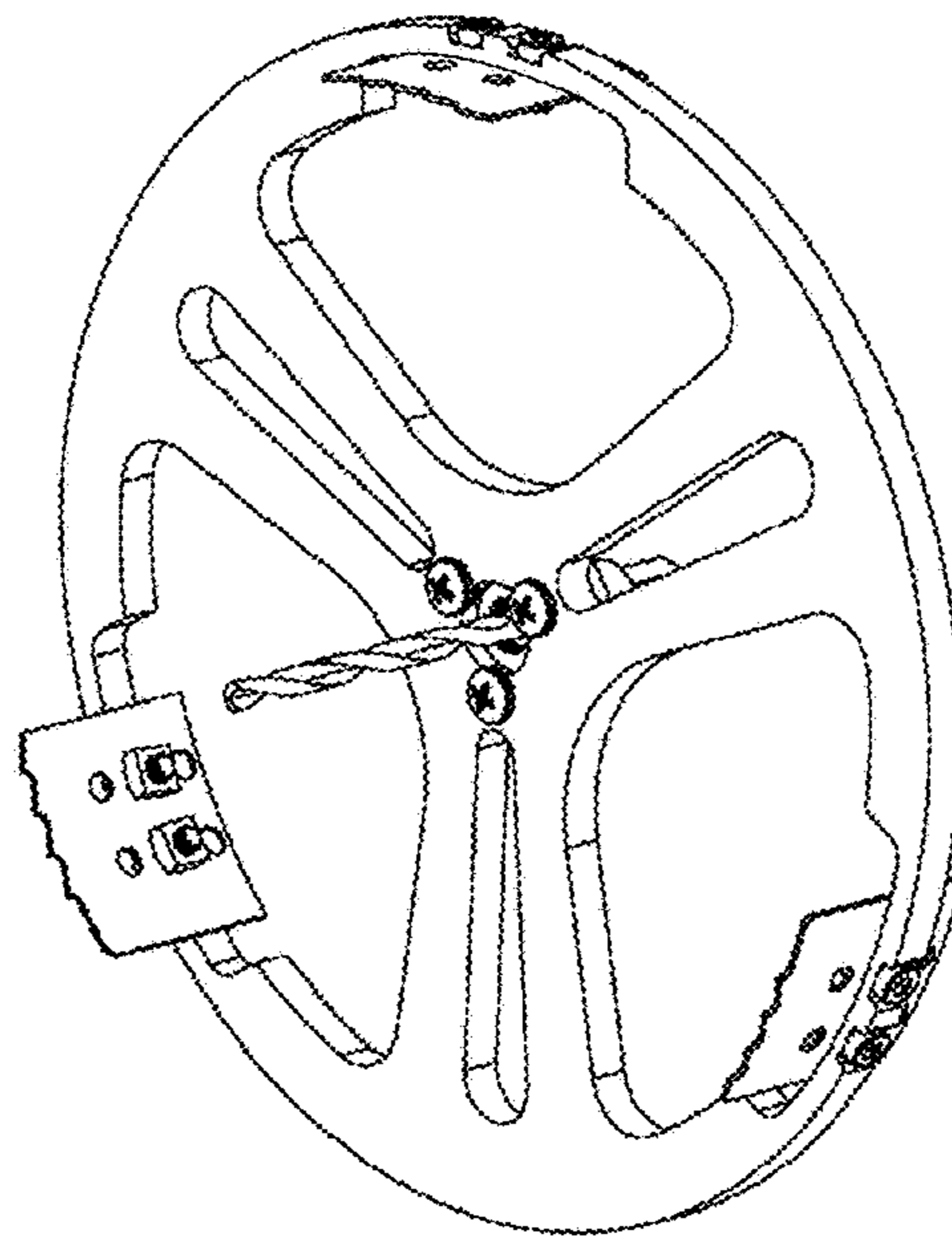


Fig.2

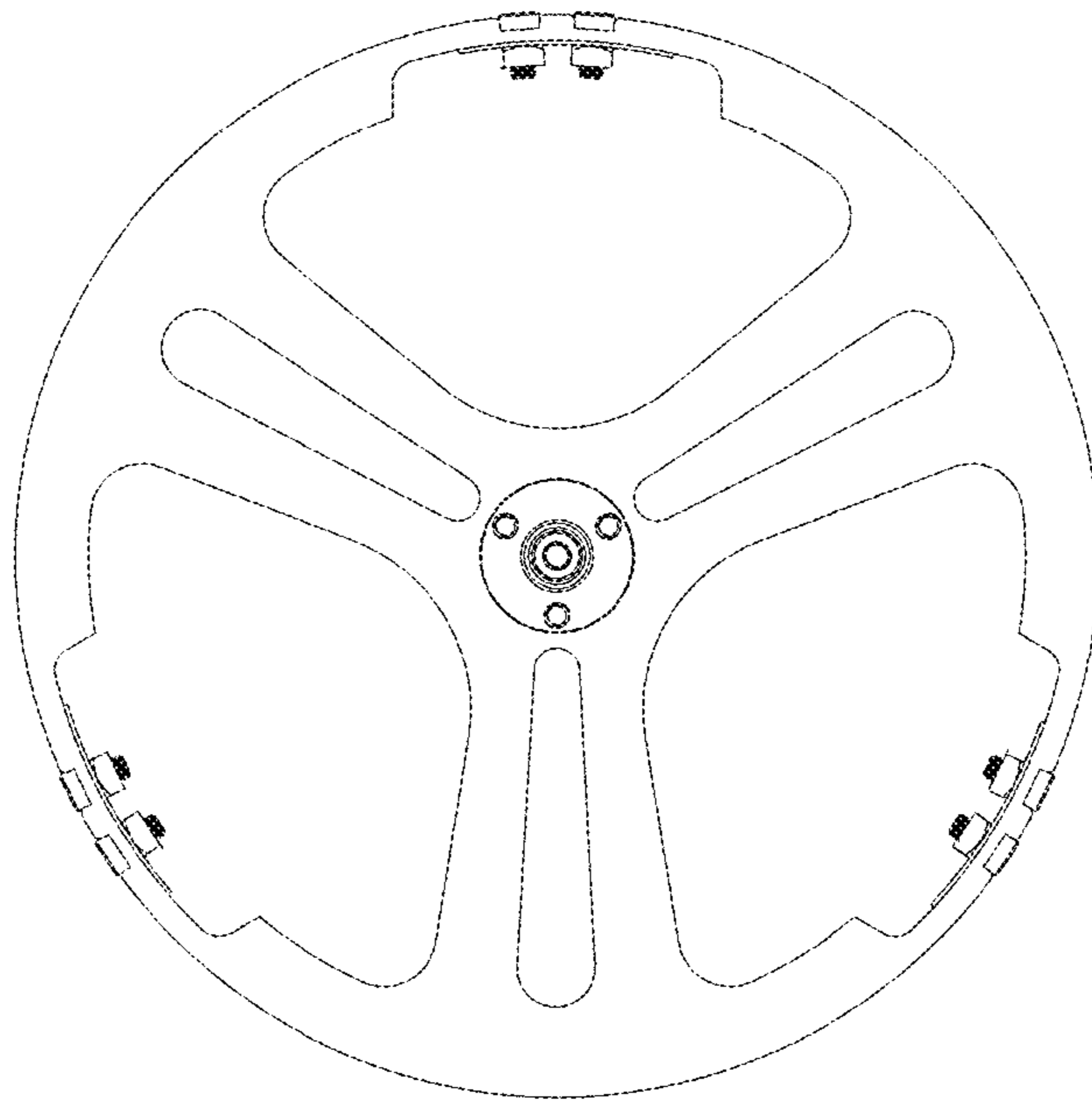


Fig.3

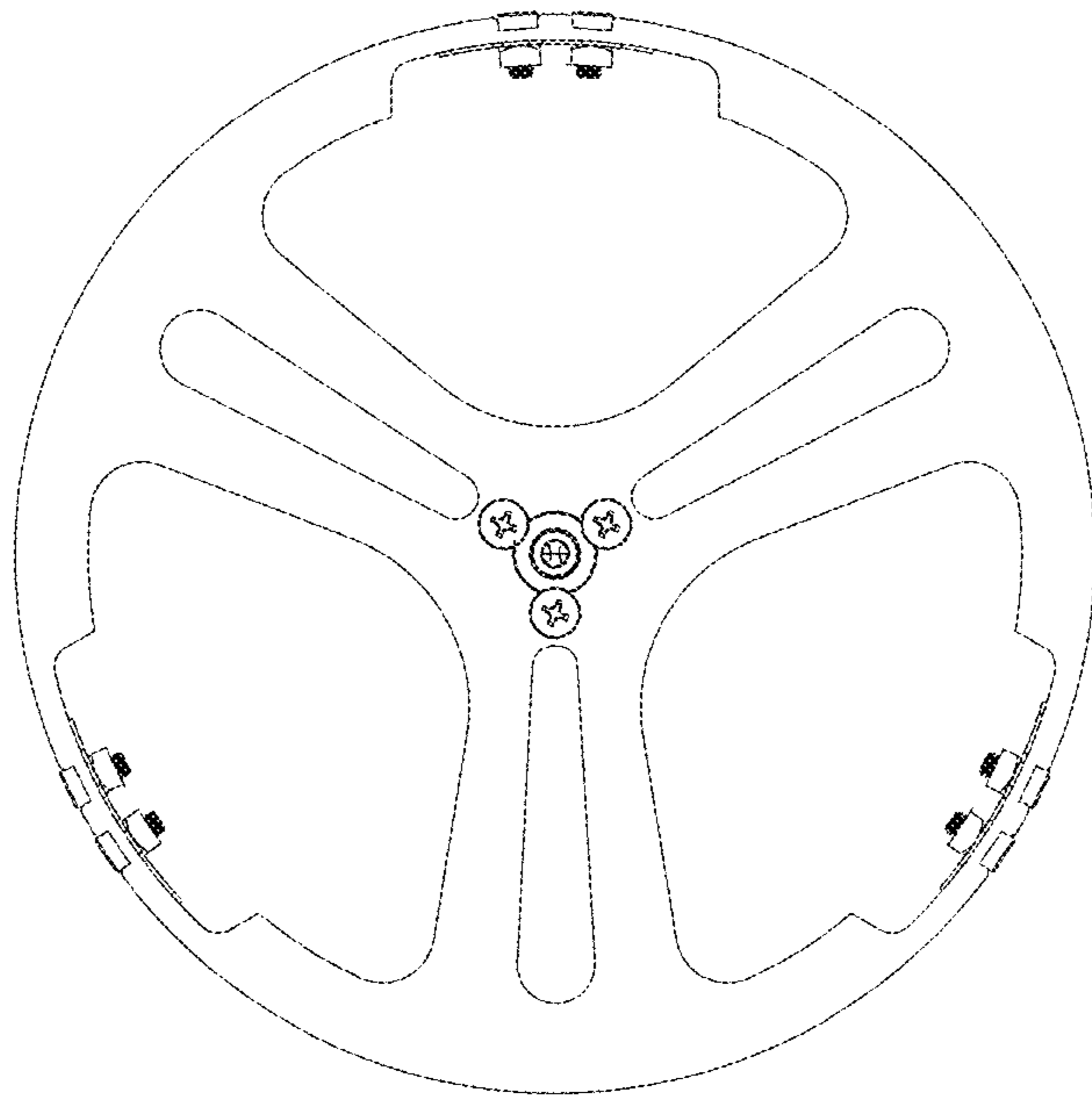


Fig.4

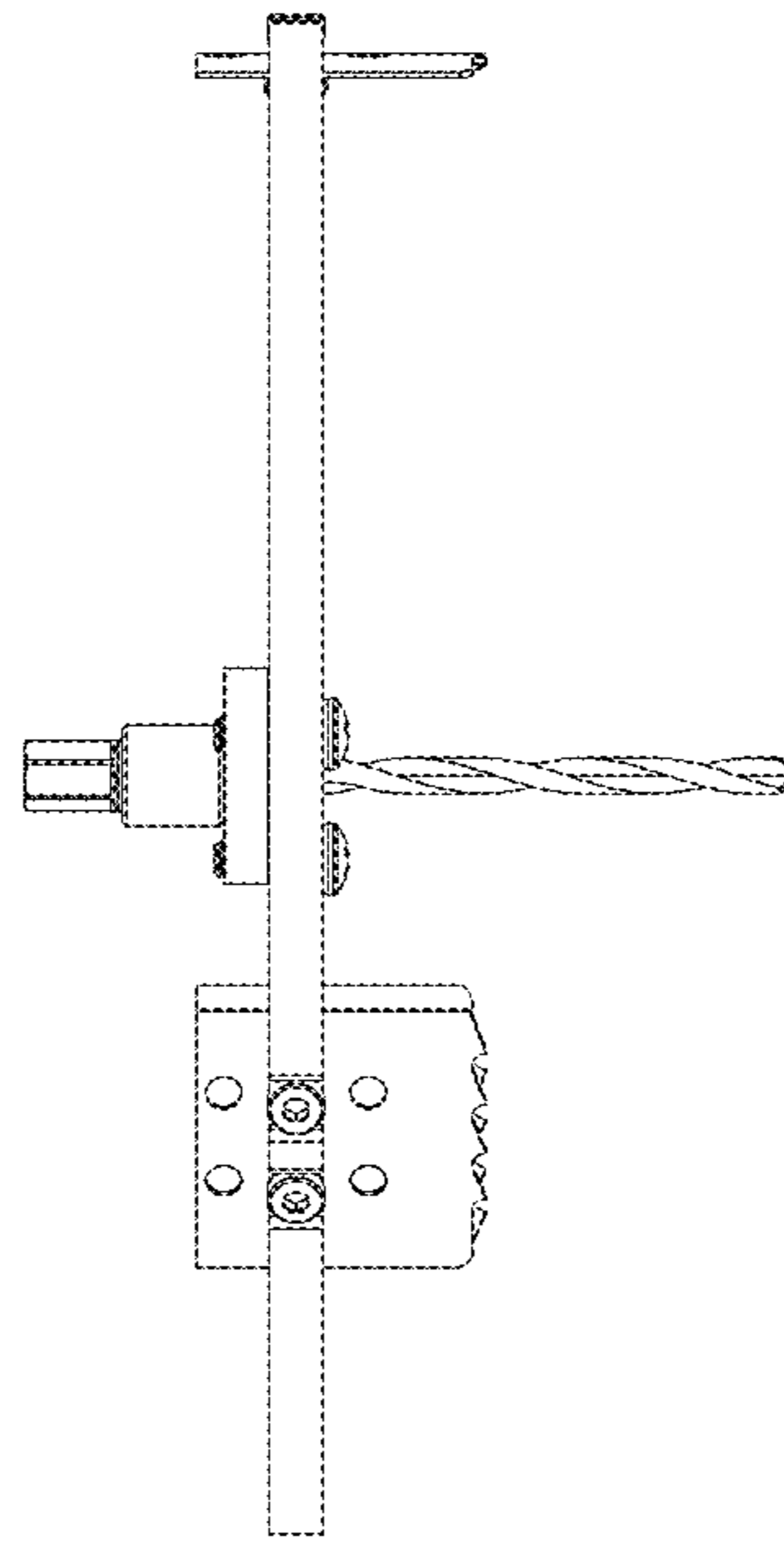


Fig.5