



US00D851144S

(12) **United States Design Patent**  
**Wood**

(10) **Patent No.:** **US D851,144 S**  
(45) **Date of Patent:** **\*\* Jun. 11, 2019**

(54) **REGISTER GEAR ADAPTER PLATE**

(74) *Attorney, Agent, or Firm* — Kilpatrick Townsend & Stockton LLP

(71) Applicant: **Liqua-Tech Corporation**, Ukiah, CA (US)

(72) Inventor: **David Neal Wood**, Ukiah, CA (US)

(57) **CLAIM**

(73) Assignee: **LIQUA-TECH CORPORATION**, Ukiah, CA (US)

The ornamental design for a register gear adapter plate, as shown and described.

(\*\*) Term: **15 Years**

(21) Appl. No.: **29/628,368**

**DESCRIPTION**

(22) Filed: **Dec. 4, 2017**

The file for this patent or application contains a least one drawing executed in color. Copies of this patent or patent application publication with color drawing(s) will be provided by the Office upon request and payment of the necessary fee.

(51) **LOC (11) Cl.** ..... **15-09**

(52) **U.S. Cl.**  
USPC ..... **D15/139**

(58) **Field of Classification Search**  
USPC ..... D8/70, 354; D15/7, 138  
CPC ..... F16K 31/04; F16K 31/05; F16K 31/043  
See application file for complete search history.

FIG. 1 is a front perspective view of a register gear adapter plate in a yellow color, showing my new design;  
FIG. 2 is a back perspective view thereof;  
FIG. 3 is a front view thereof;  
FIG. 4 is a rear view thereof;  
FIG. 5 is a top view thereof;  
FIG. 6 is a bottom view thereof;  
FIG. 7 is a right view thereof;  
FIG. 8 is a left view thereof;  
FIG. 9 is a front perspective view of a black and white line drawing variant of the register gear adapter plate of FIG. 1;  
FIG. 10 is a back perspective view thereof;  
FIG. 11 is a front view thereof;  
FIG. 12 is a rear view thereof;  
FIG. 13 is a top view thereof;  
FIG. 14 is a bottom view thereof;  
FIG. 15 is a right view thereof; and,  
FIG. 16 is a left view thereof.

(56) **References Cited**

**U.S. PATENT DOCUMENTS**

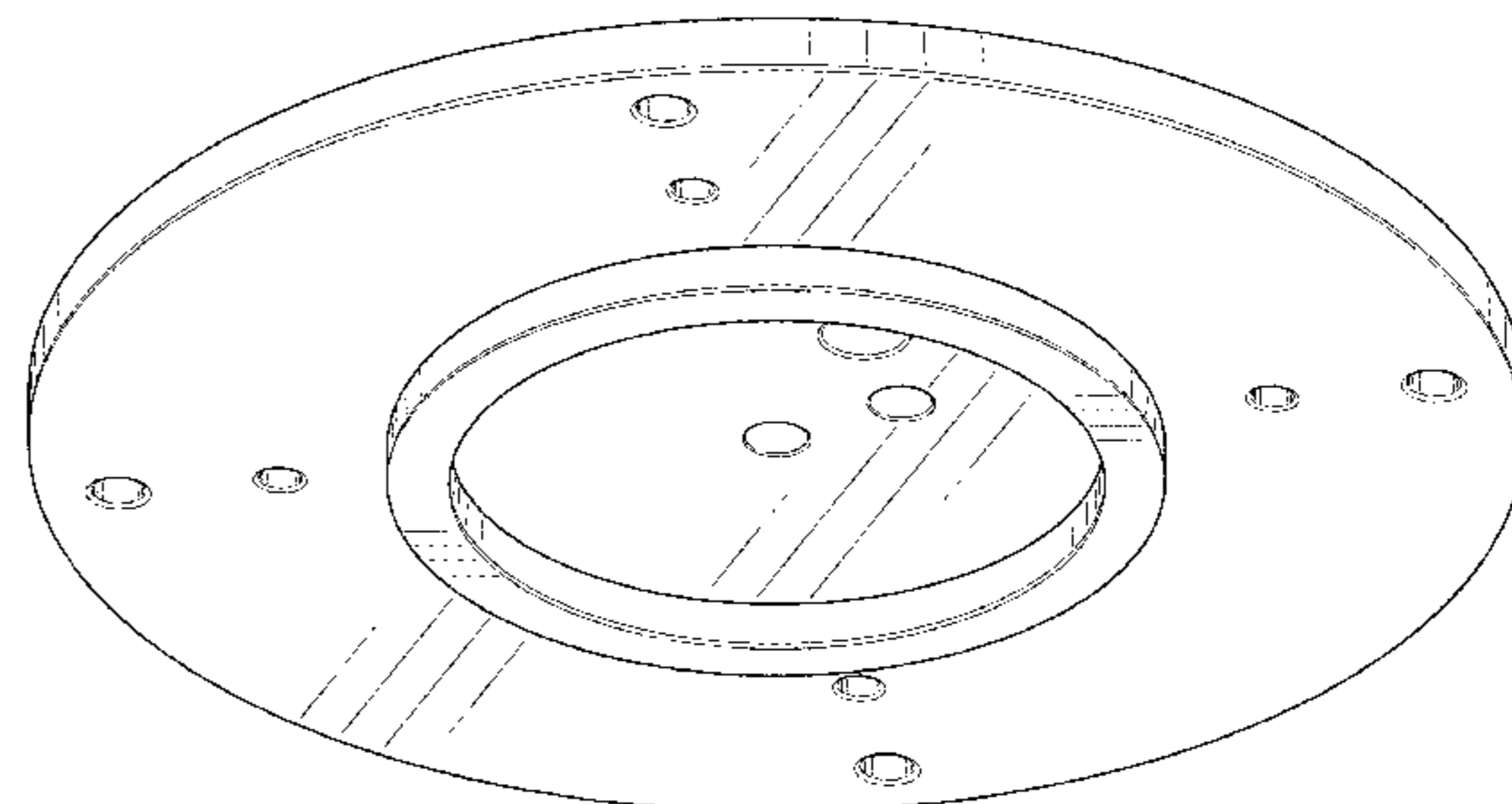
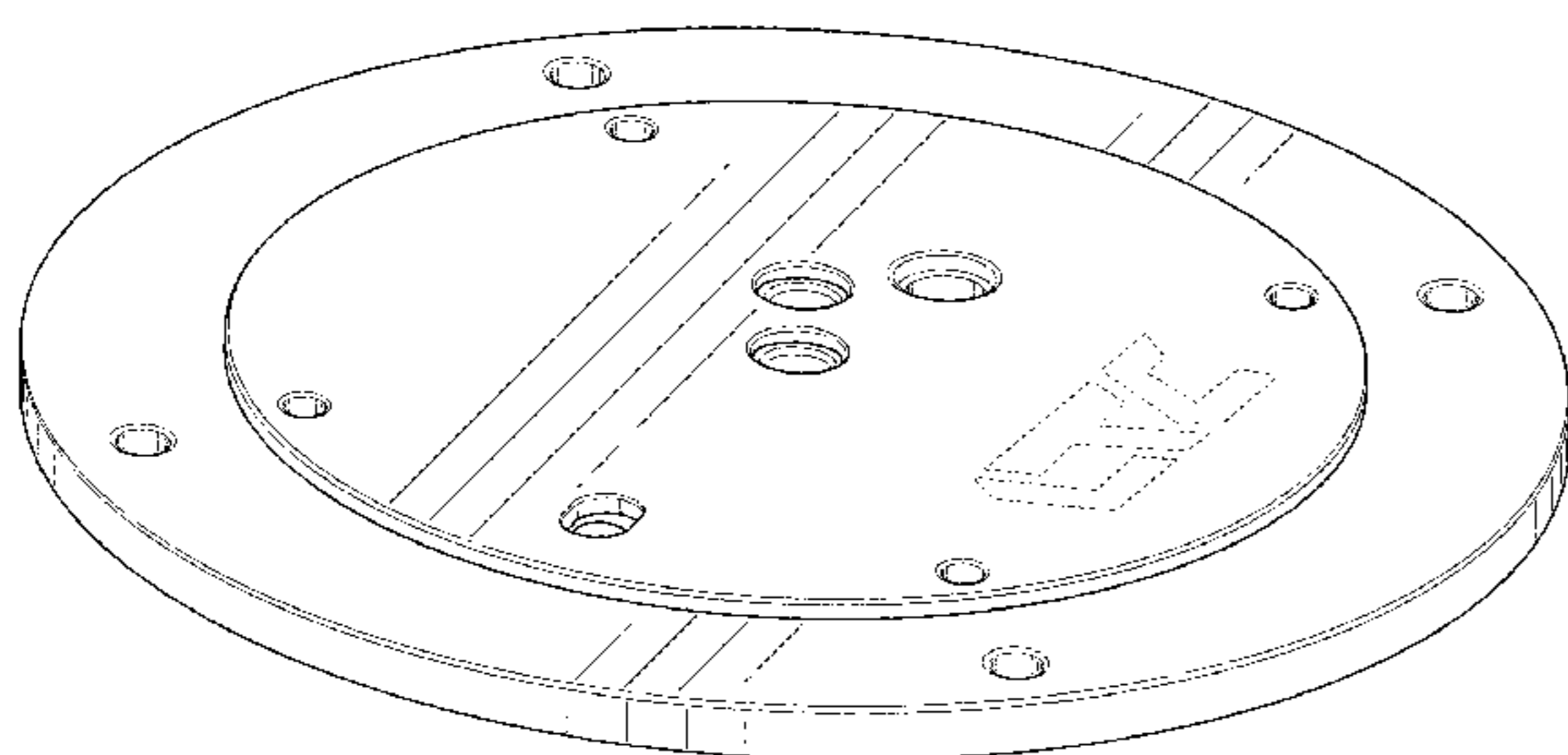
4,826,458	A *	5/1989	Irwin	.....	B60F 3/003 440/37
D305,022	S *	12/1989	Hallgren	.....	D13/171
6,589,352	B1 *	7/2003	Yudovsky	.....	C23C 16/4585 118/500
D571,831	S *	6/2008	Ota	.....	D15/138
D571,833	S *	6/2008	Ota	.....	D15/138
D572,733	S *	7/2008	Ota	.....	D15/138
D582,949	S *	12/2008	Yamashita	.....	D15/138
D583,395	S *	12/2008	Ueda	.....	D15/138
D593,585	S *	6/2009	Ota	.....	D15/138
D616,394	S *	5/2010	Sato	.....	D13/182
D699,200	S *	2/2014	Nagakubo	.....	D13/182
D734,377	S *	7/2015	Hirakida	.....	D15/138
D825,504	S *	8/2018	Zhang	.....	D13/182
D836,572	S *	12/2018	Riker	.....	D13/182
2008/0048403	A1 *	2/2008	Oldberding	.....	F16K 31/055 279/2.01

The broken lines in the drawings depict portions of the register rear adapter plate which form no part of the claimed design.

(Continued)

*Primary Examiner* — Patricia A Palasik

**1 Claim, 16 Drawing Sheets**  
**(8 of 16 Drawing Sheet(s) Filed in Color)**



(56)

**References Cited**

U.S. PATENT DOCUMENTS

2009/0120520 A1\* 5/2009 Weiss ..... F16K 11/0743  
137/625.46  
2010/0282010 A1\* 11/2010 Hopkins ..... F16H 57/025  
74/411.5  
2011/0226001 A1\* 9/2011 Kannoo ..... F16K 11/074  
62/324.6  
2011/0240893 A1\* 10/2011 Windgassen ..... H02K 5/1675  
251/129.13  
2011/0286872 A1\* 11/2011 McGuffey ..... F04C 2/14  
418/175  
2016/0305534 A1\* 10/2016 Collins ..... F16H 57/025  
2017/0009367 A1\* 1/2017 Harris ..... C25D 17/001  
2018/0073655 A1\* 3/2018 Miyachi ..... F01L 1/047  
2018/0149282 A1\* 5/2018 Fowler ..... F16H 19/001  
2018/0252329 A1\* 9/2018 Liu ..... F16K 31/04

\* cited by examiner

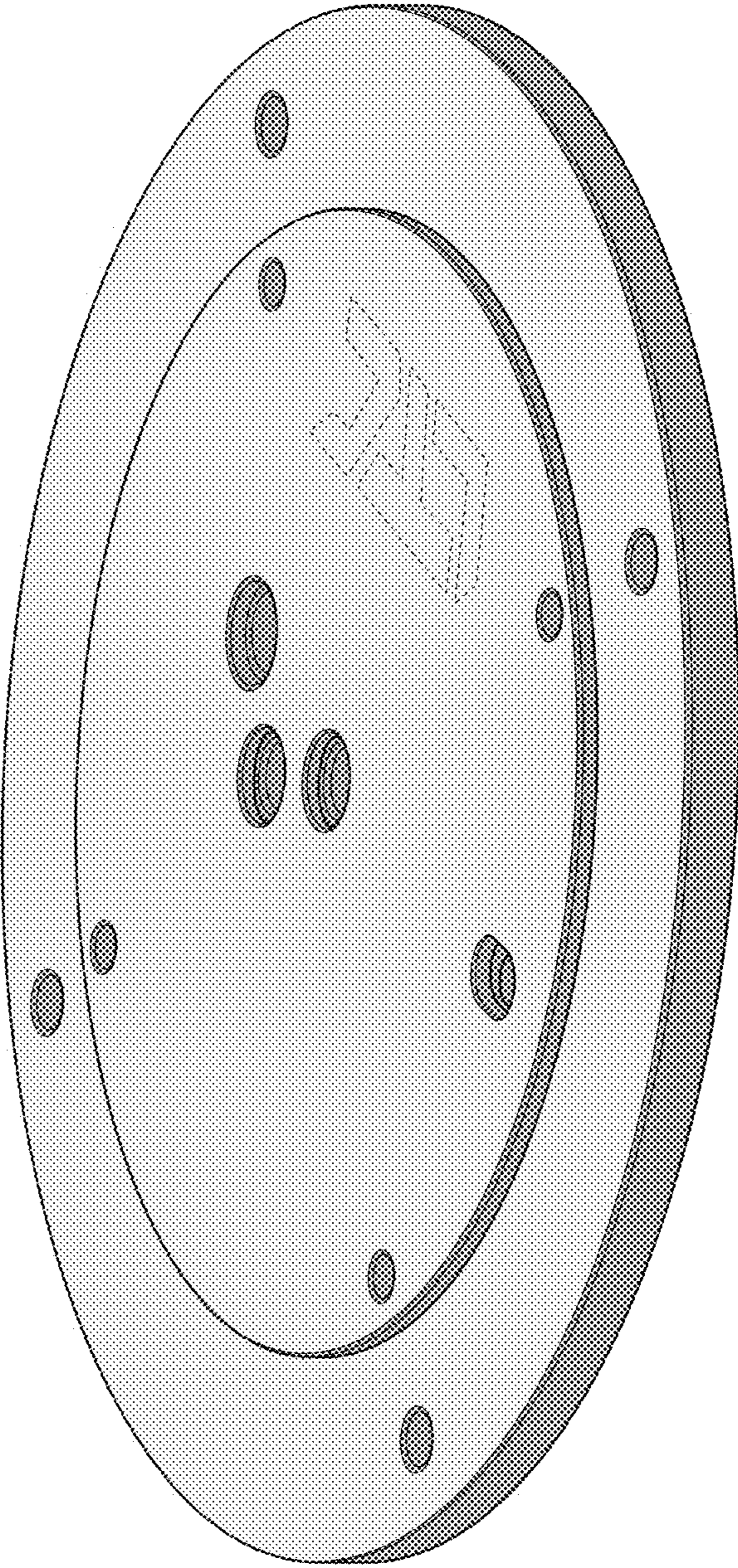


FIG. 1

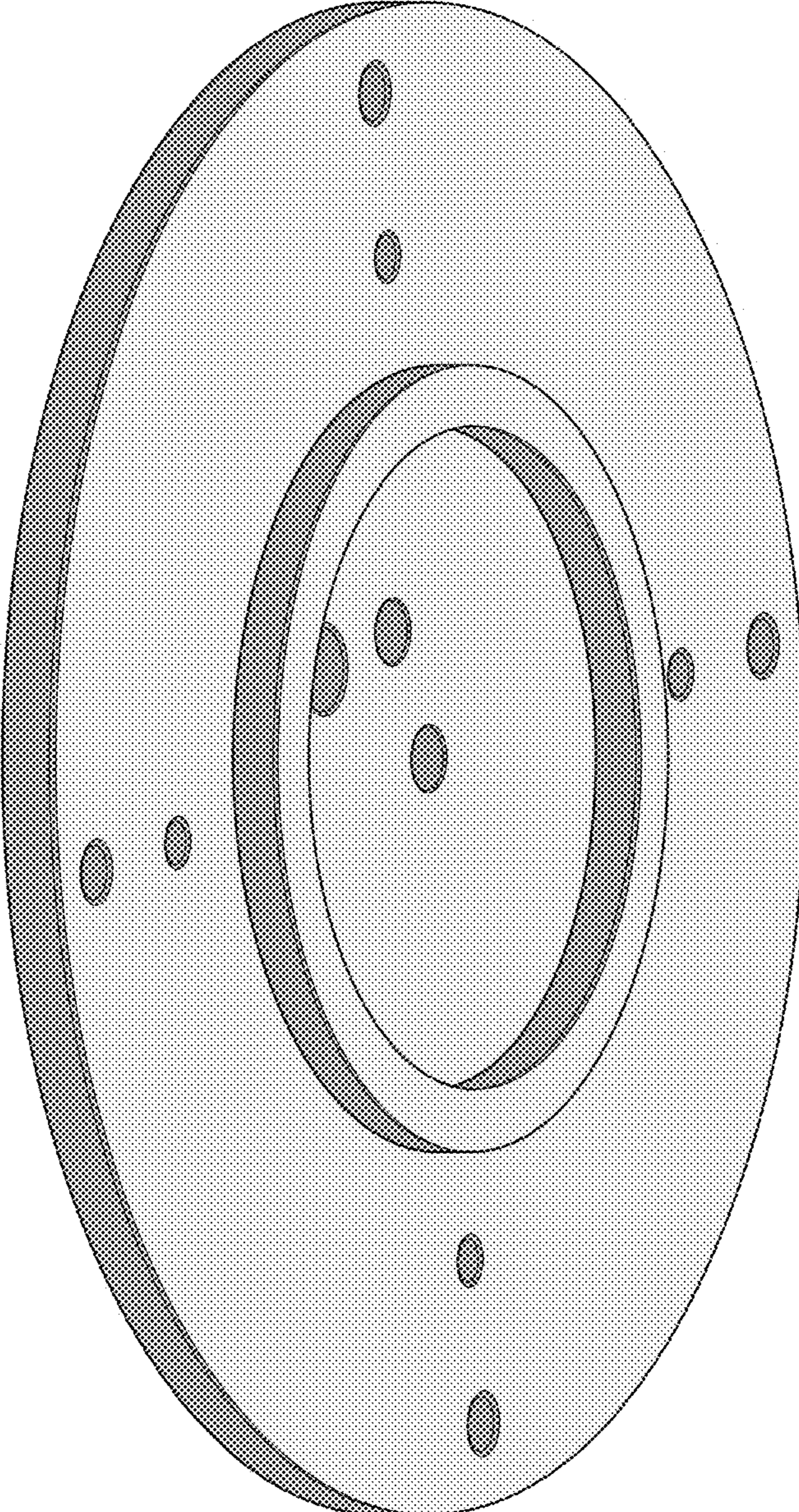


FIG. 2

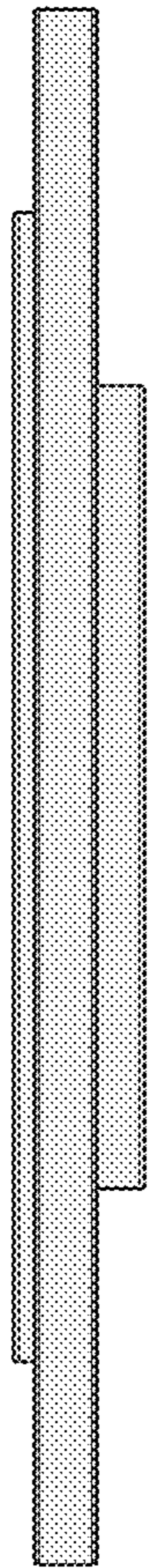


FIG. 3

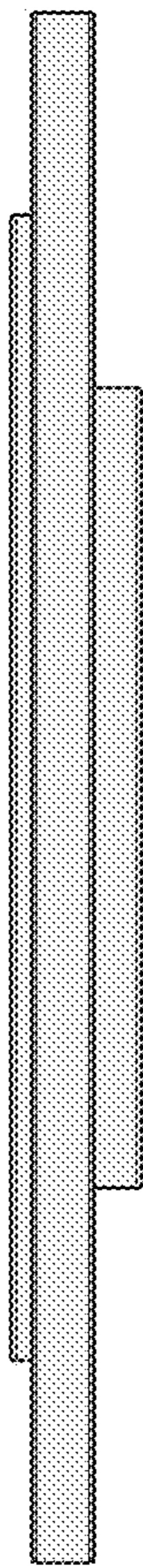


FIG. 4

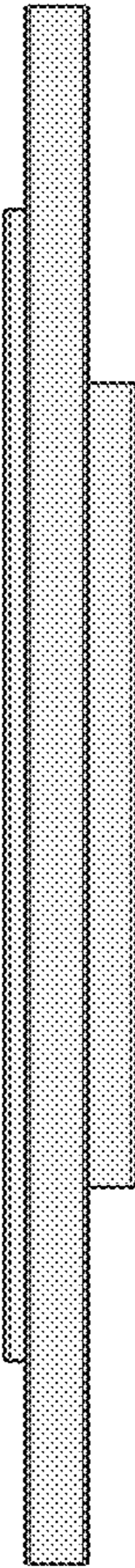


FIG. 5

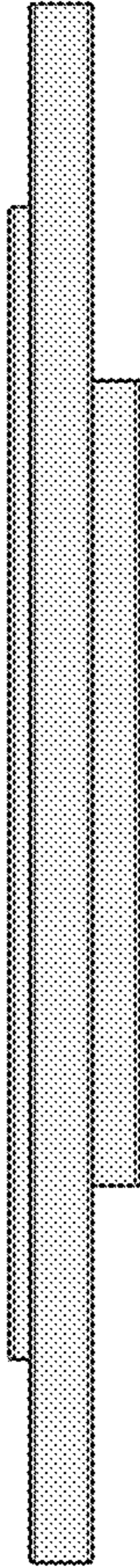


FIG. 6



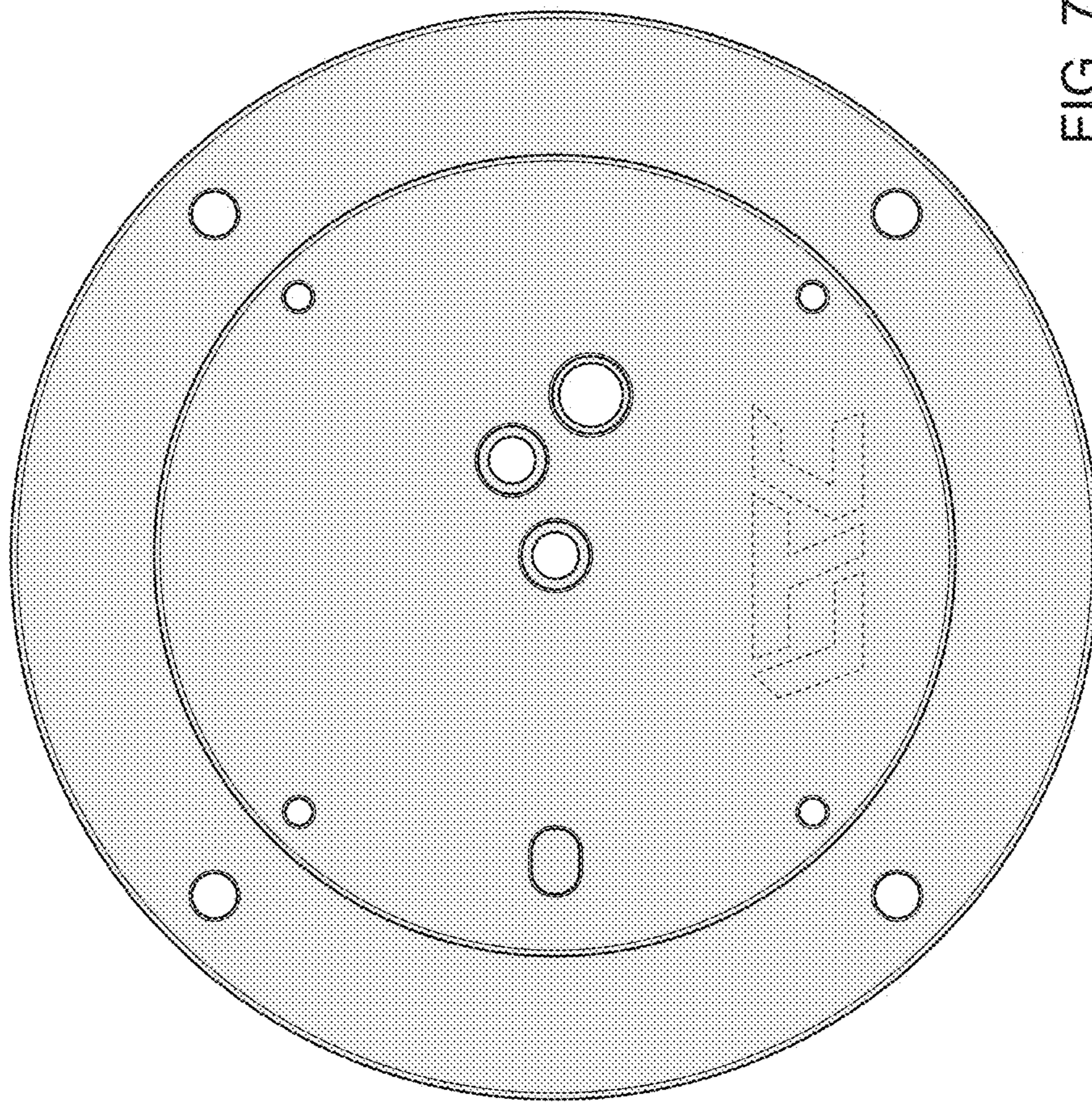


FIG. 7

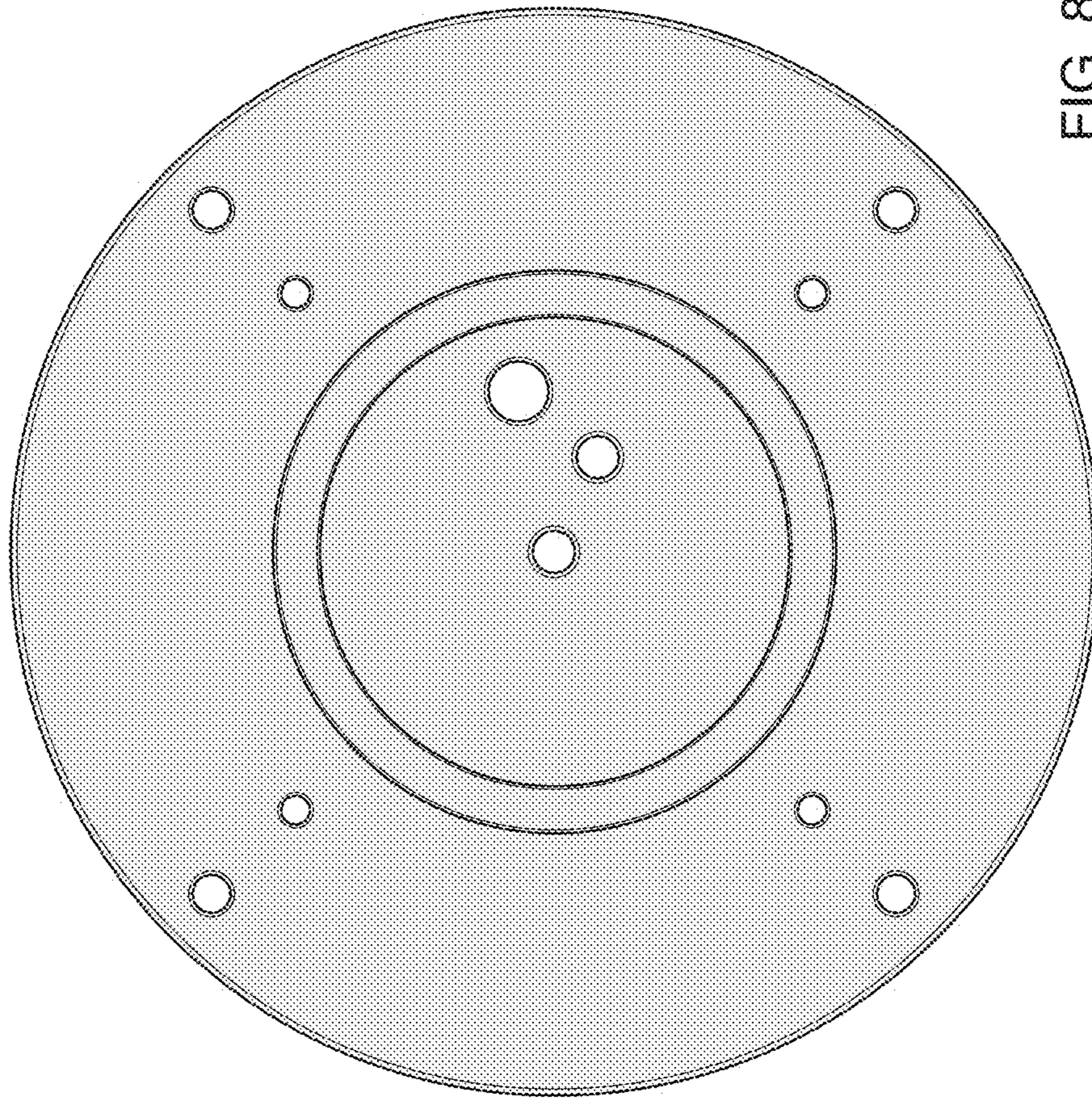


FIG. 8

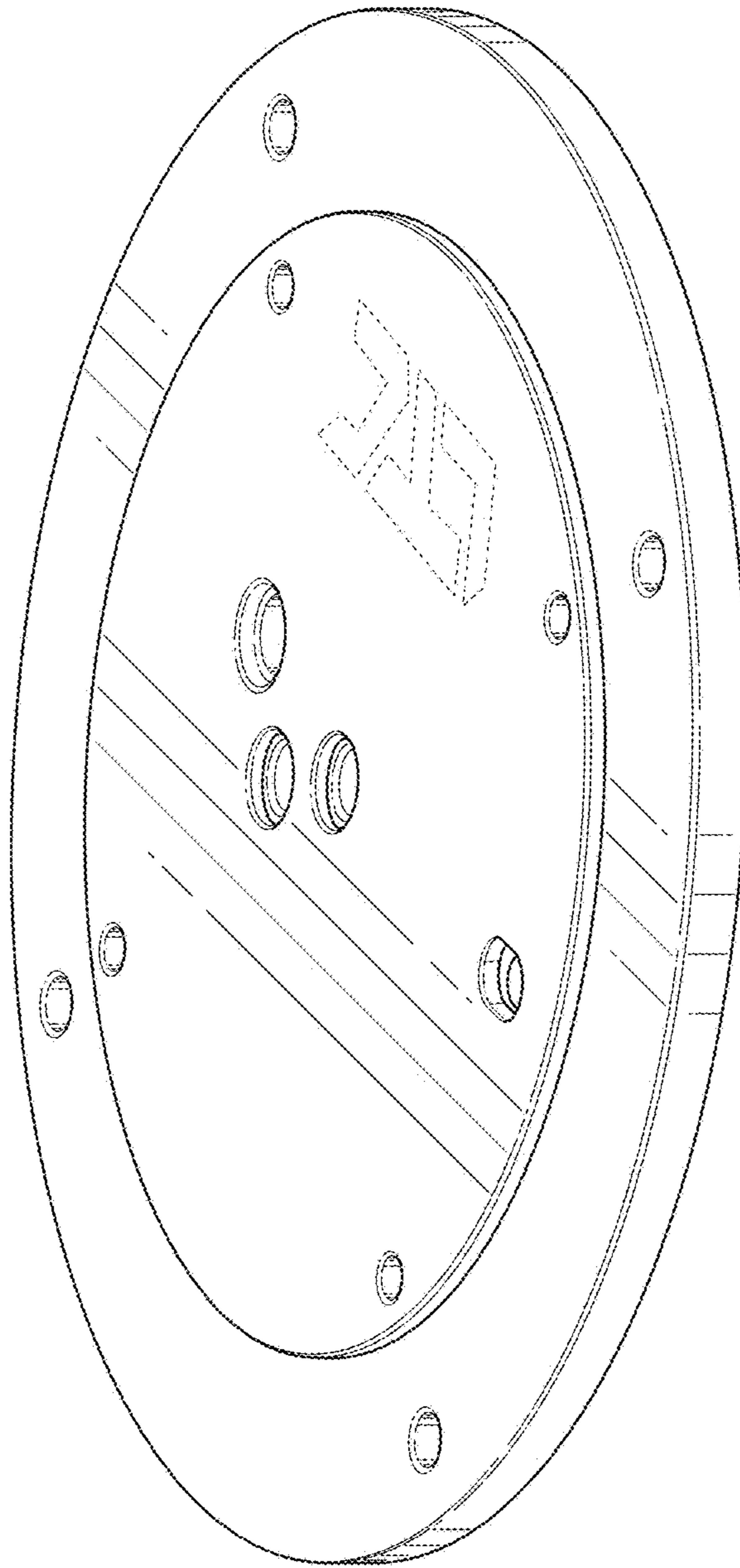


FIG. 9

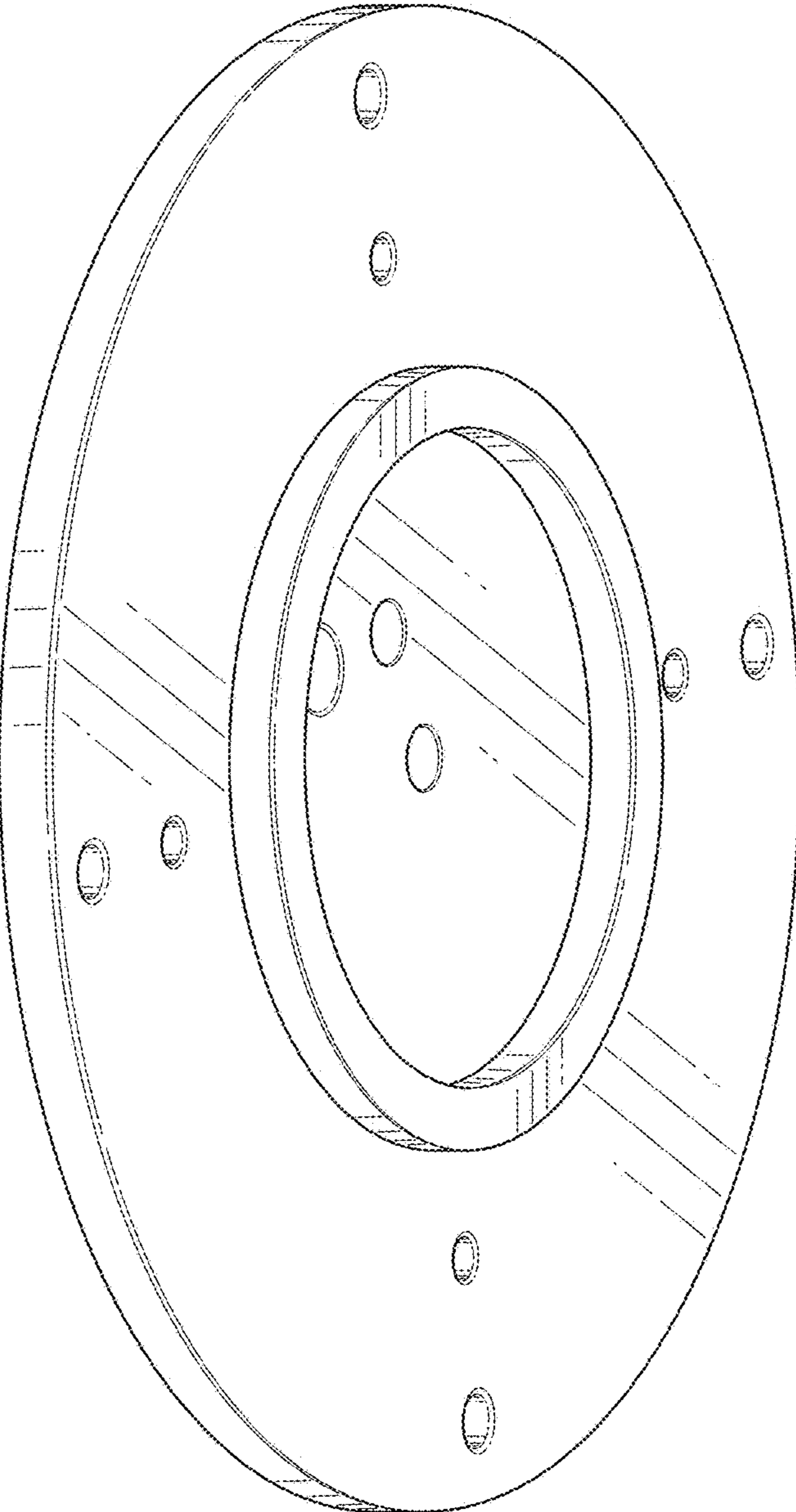


FIG. 10

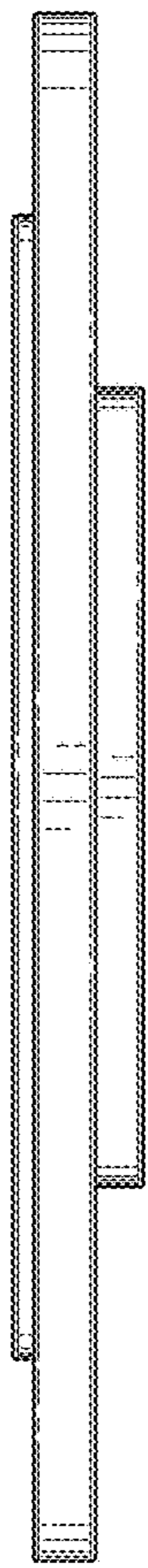


FIG. 11

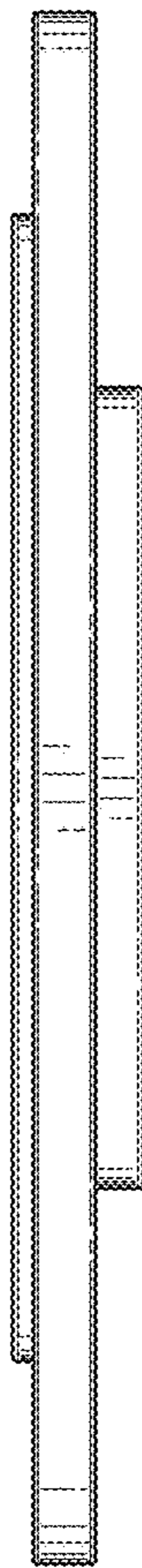


FIG. 12

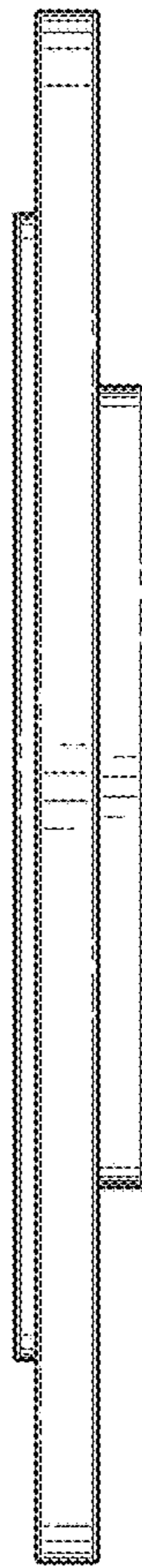


FIG. 13

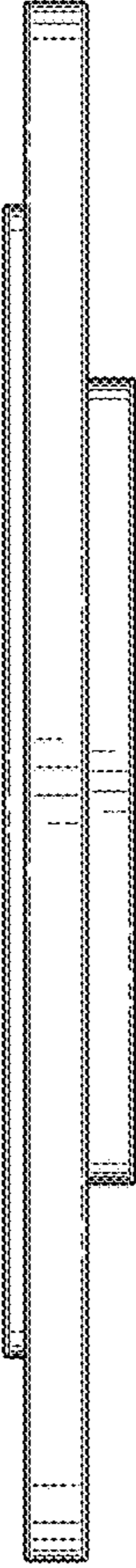


FIG. 14



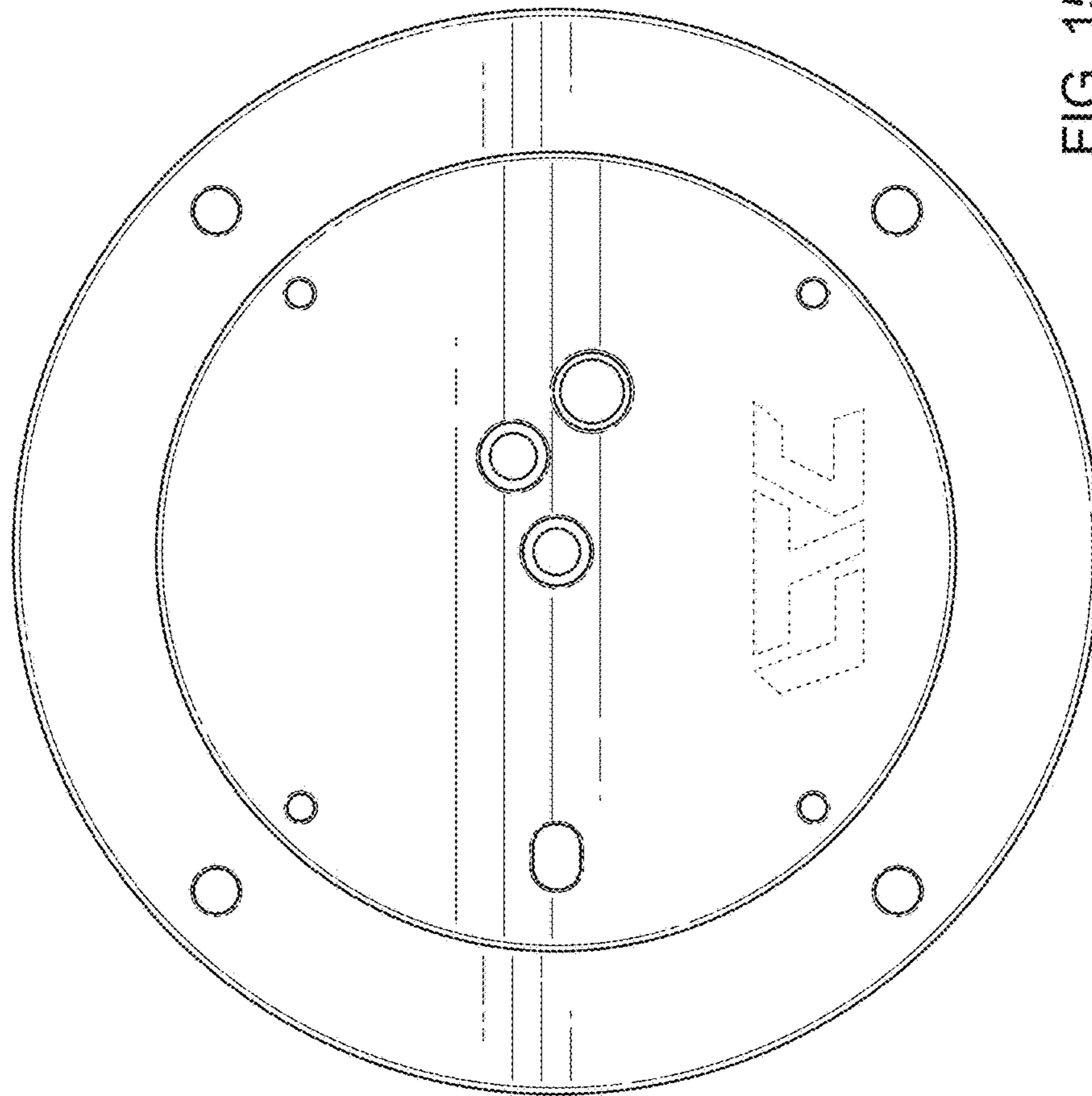


FIG. 15

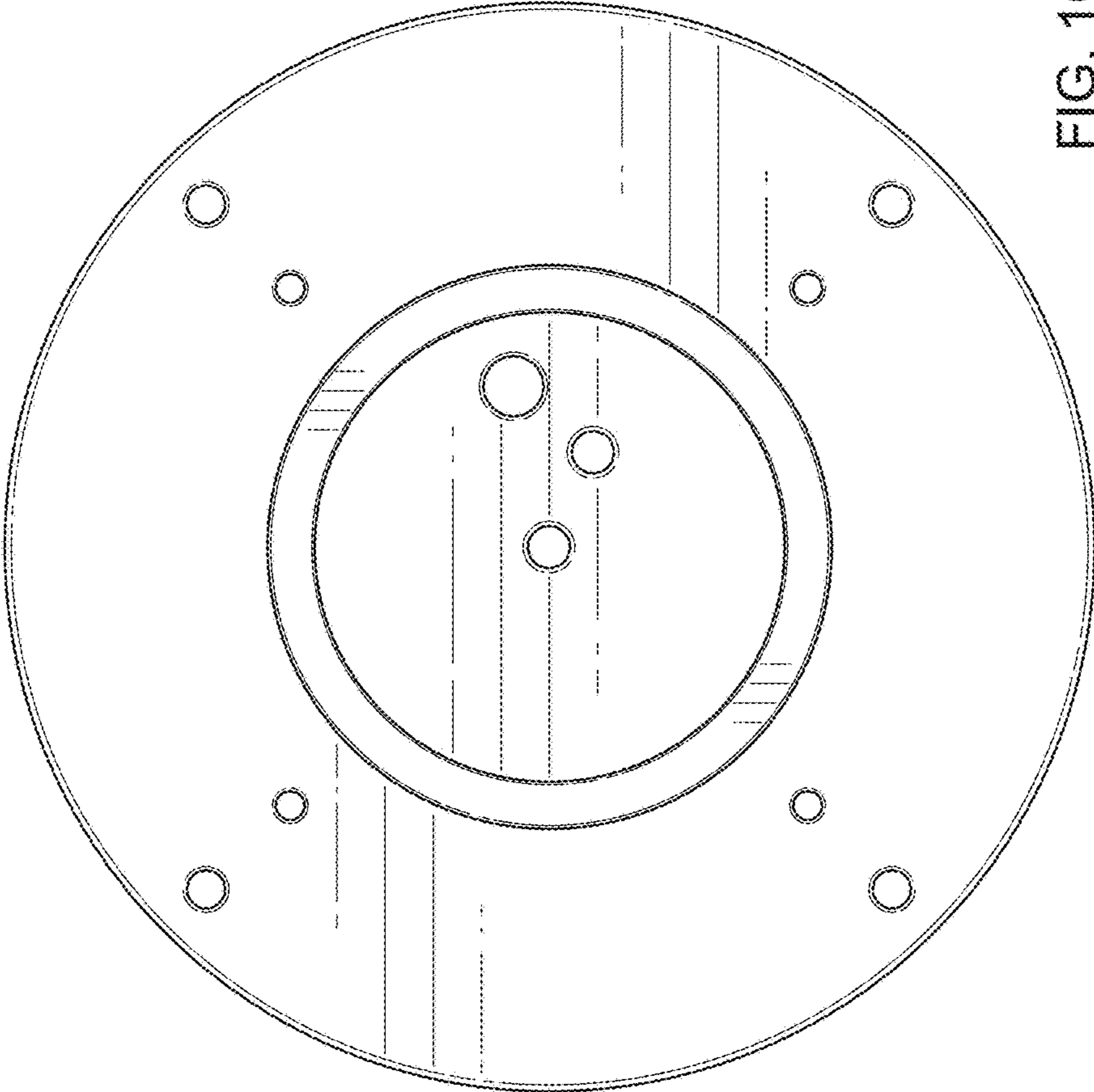


FIG. 16