



US00D851143S

(12) **United States Design Patent**  
**Czarnik**

(10) **Patent No.:** **US D851,143 S**  
(45) **Date of Patent:** **\*\* Jun. 11, 2019**

- (54) **MITER SAW**
- (71) Applicant: **BLACK & DECKER INC.**, New Britain, CT (US)
- (72) Inventor: **Cory Czarnik**, Baltimore, MD (US)
- (73) Assignee: **Black & Decker Inc.**, New Britain, CT (US)
- (\*\*) Term: **15 Years**
- (21) Appl. No.: **29/644,988**
- (22) Filed: **Apr. 23, 2018**
- (51) **LOC (11) Cl.** ..... **15-09**
- (52) **U.S. Cl.**  
USPC ..... **D15/133**
- (58) **Field of Classification Search**  
USPC ..... D8/61, 64-69; D15/133  
CPC ..... B27B 5/29; B23D 45/044; Y10T 83/7697  
See application file for complete search history.

D704,235 S *	5/2014	Liu .....	B23D 45/048
			D15/133
D757,830 S *	5/2016	Elder .....	D15/133
D811,453 S *	2/2018	Aoki .....	D15/133
D831,710 S *	10/2018	Imsand .....	D15/133
2009/0235794 A1 *	9/2009	Inai .....	B23D 45/048
			83/397
2016/0199923 A1 *	7/2016	Dutterer .....	B23D 45/14
			83/471.3
2016/0318108 A1 *	11/2016	Gonzalez .....	B27B 5/29
2017/0136560 A1 *	5/2017	Chiang .....	B23D 45/044
2018/0093335 A1 *	4/2018	Hart .....	B23D 47/00
2018/0178296 A1 *	6/2018	Marinov .....	B23D 45/044
2018/0185936 A1 *	7/2018	Mook .....	B23D 47/025
2018/0361611 A1 *	12/2018	Lawlor .....	B27B 27/08
2019/0009425 A1 *	1/2019	Sprague .....	B23D 45/044

\* cited by examiner

*Primary Examiner* — Patricia A Palasik  
(74) *Attorney, Agent, or Firm* — Stephen R. Valancius

(57) **CLAIM**

The ornamental design for a miter saw, as shown and described.

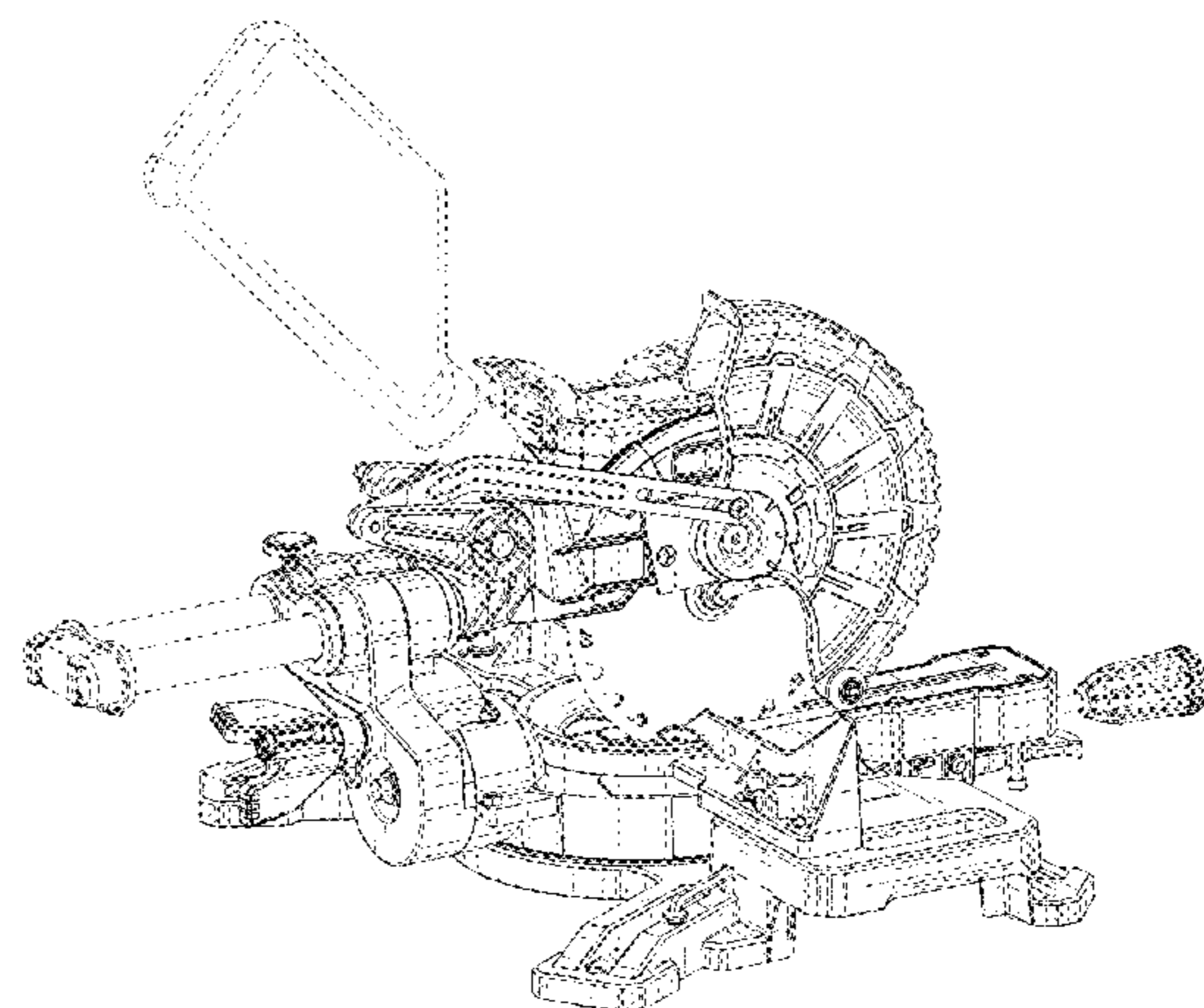
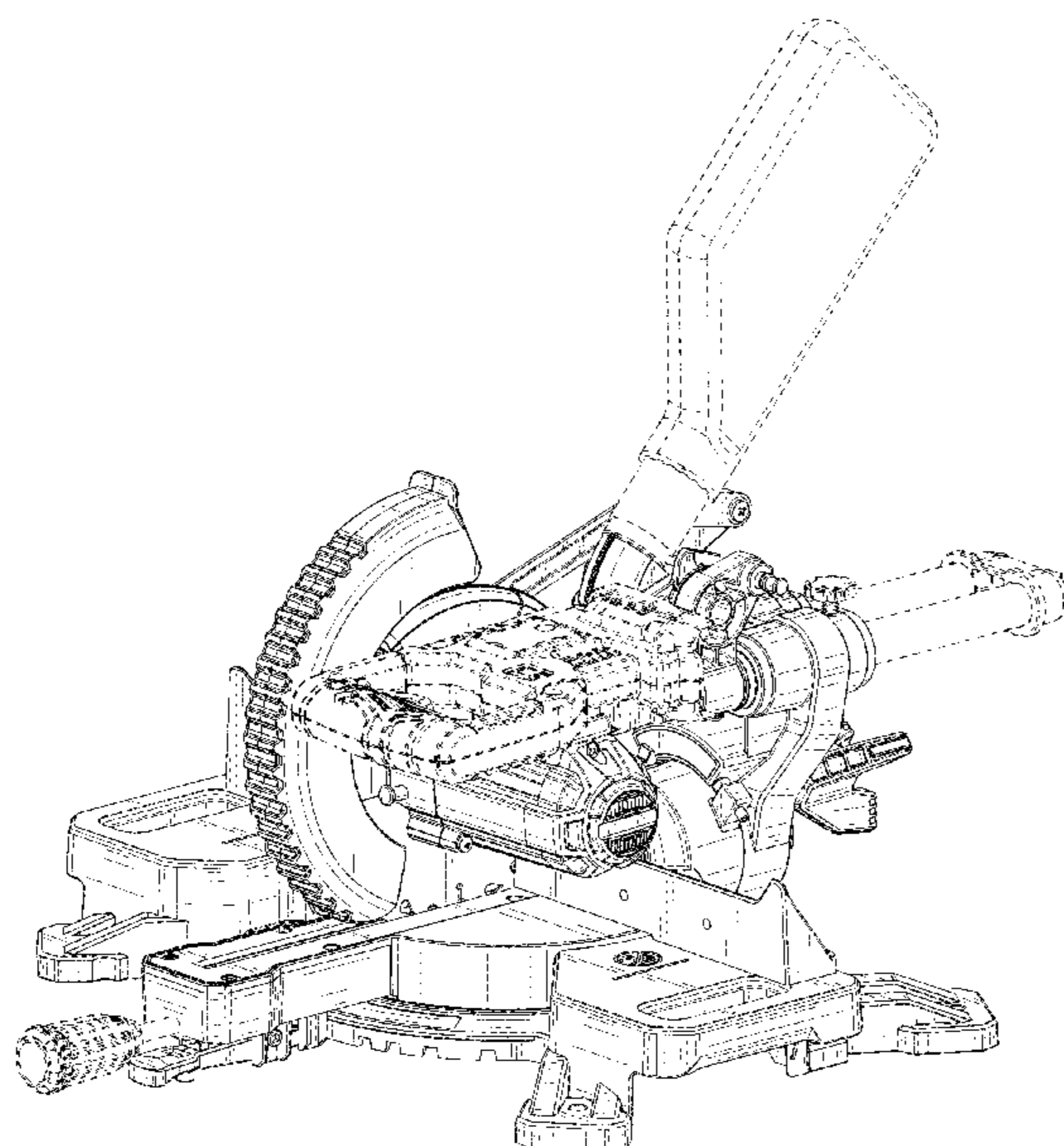
**DESCRIPTION**

FIG. 1 is a front perspective view of a miter saw showing my new design;  
 FIG. 2 is a rear perspective view of a miter saw showing my new design;  
 FIG. 3 is a front view thereof  
 FIG. 4 is a rear view thereof;  
 FIG. 5 is a right side view thereof;  
 FIG. 6 is a left side view thereof;  
 FIG. 7 is a top plan view thereof; and,  
 FIG. 8 is a bottom plan view thereof.  
 The broken lines in the drawings depict portions of the miter saw which form no part of the claimed design.

**1 Claim, 8 Drawing Sheets**

(56) **References Cited**  
U.S. PATENT DOCUMENTS

D346,173 S *	4/1994	Price .....	D15/133
D383,472 S *	9/1997	Higuchi .....	D15/133
D388,442 S *	12/1997	Shibata .....	D15/133
D391,973 S *	3/1998	Price .....	D15/133
D399,218 S *	10/1998	Brunson .....	D15/133
D421,267 S *	2/2000	Price .....	D15/133
D424,072 S *	5/2000	Shibata .....	D15/133
D441,771 S *	5/2001	Bean .....	D15/133
D454,577 S *	3/2002	Meredith .....	D15/133
D455,445 S *	4/2002	Bean .....	D15/133
D459,373 S *	6/2002	Hollinger .....	D15/133
D479,251 S *	9/2003	Wright .....	D15/133
D649,568 S *	11/2011	Zhou .....	D15/133
D664,572 S *	7/2012	Zhou .....	D15/133
D688,714 S *	8/2013	Firth .....	D15/133



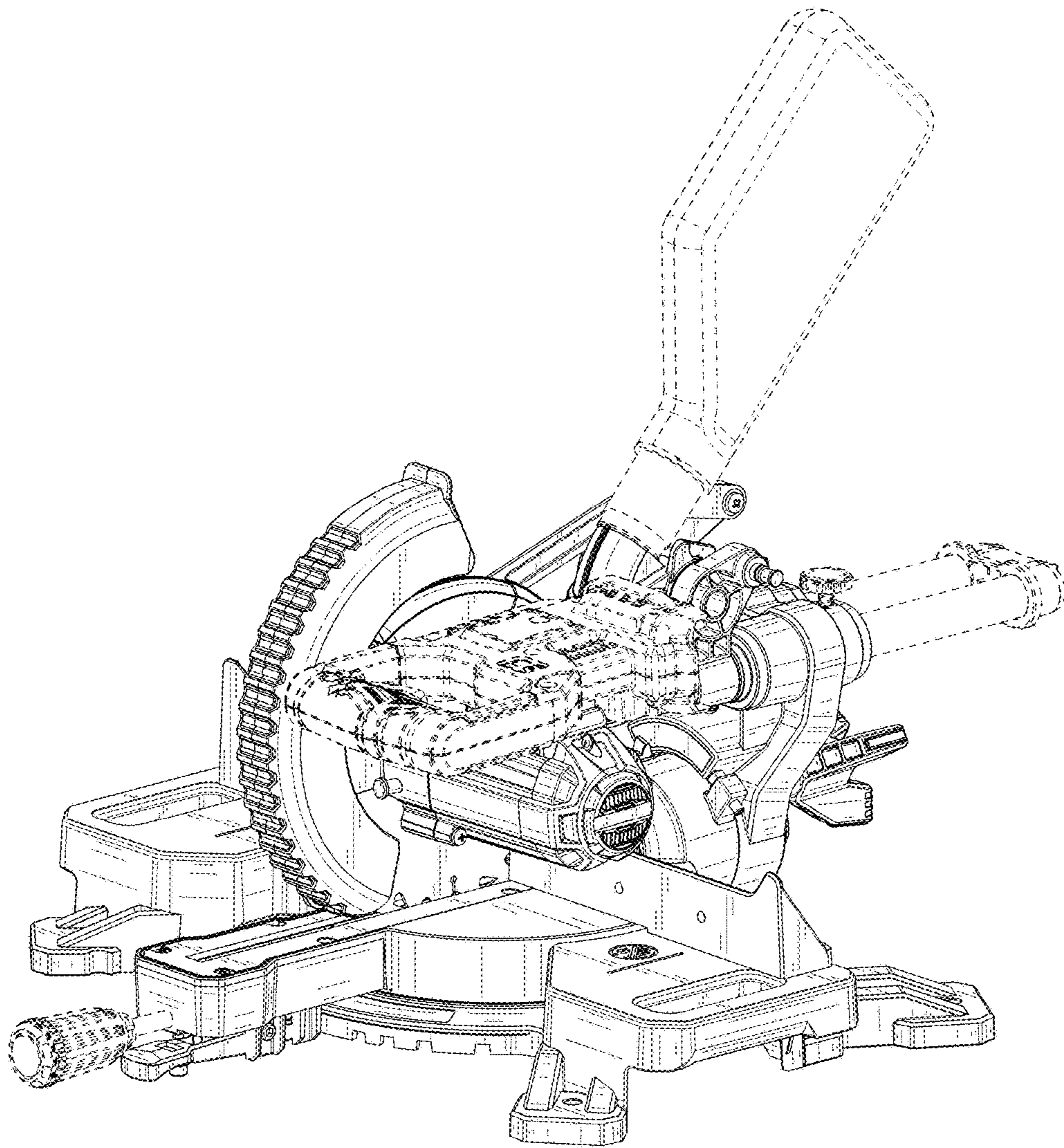


FIG. 1



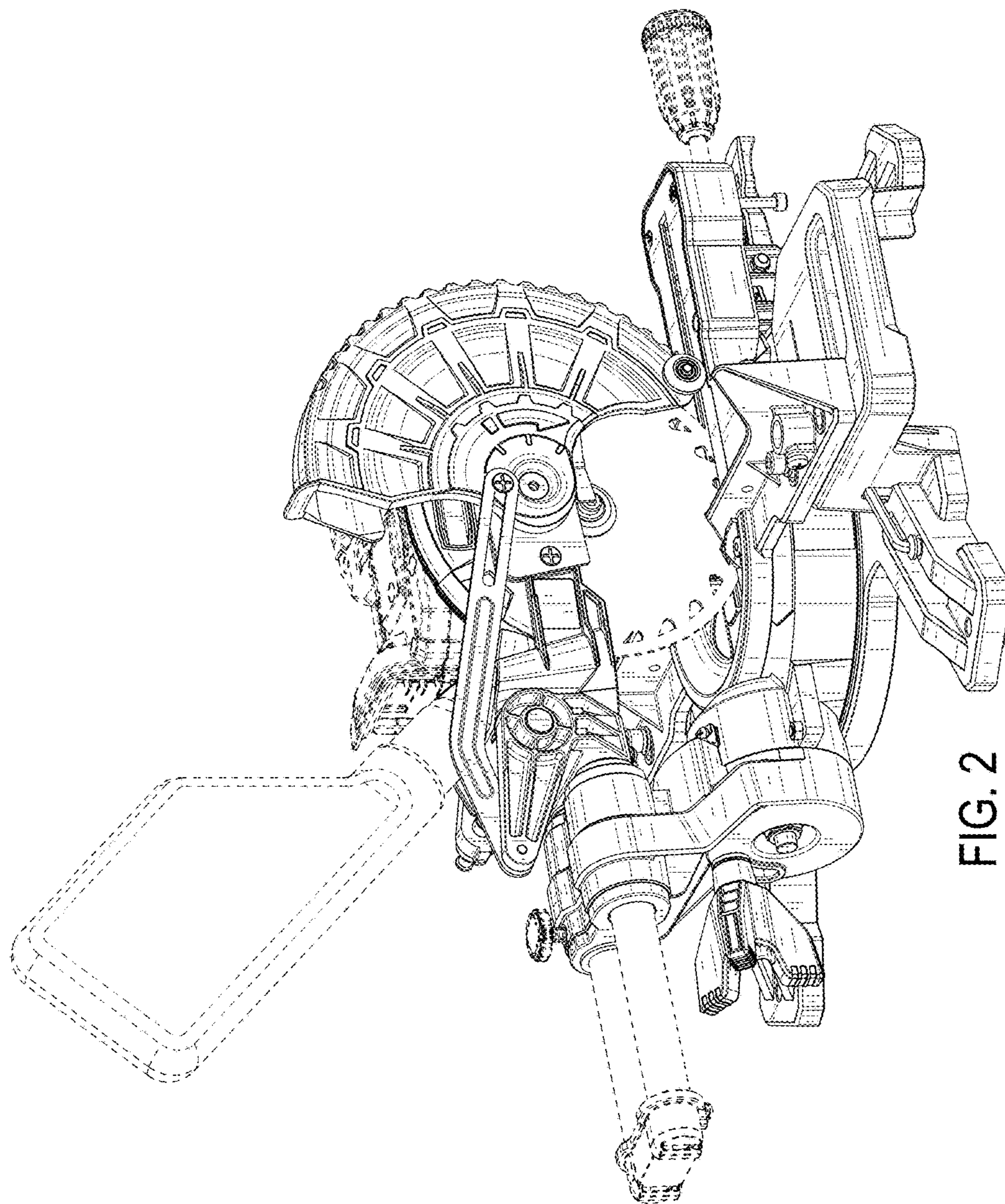


FIG. 2

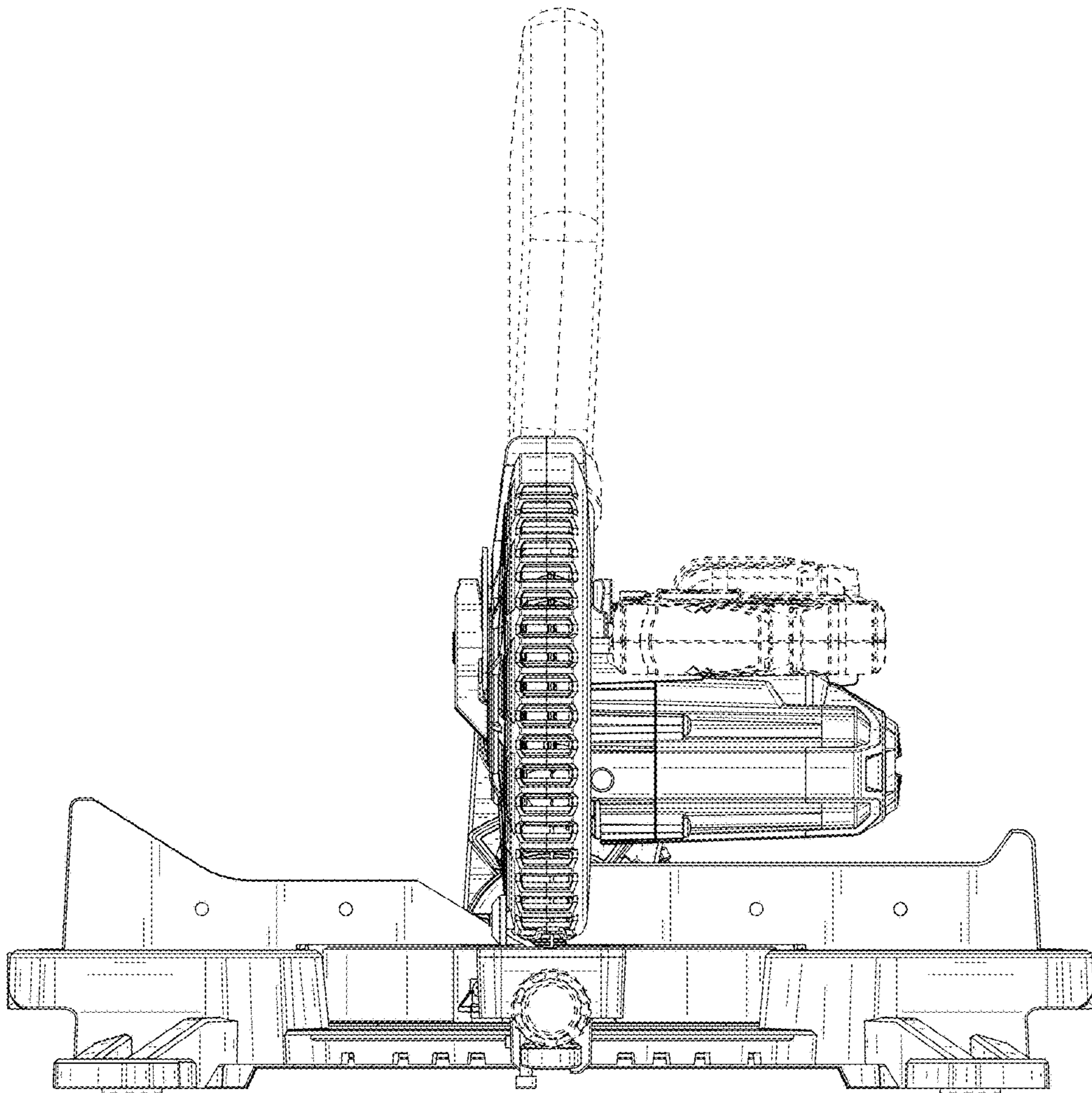


FIG. 3

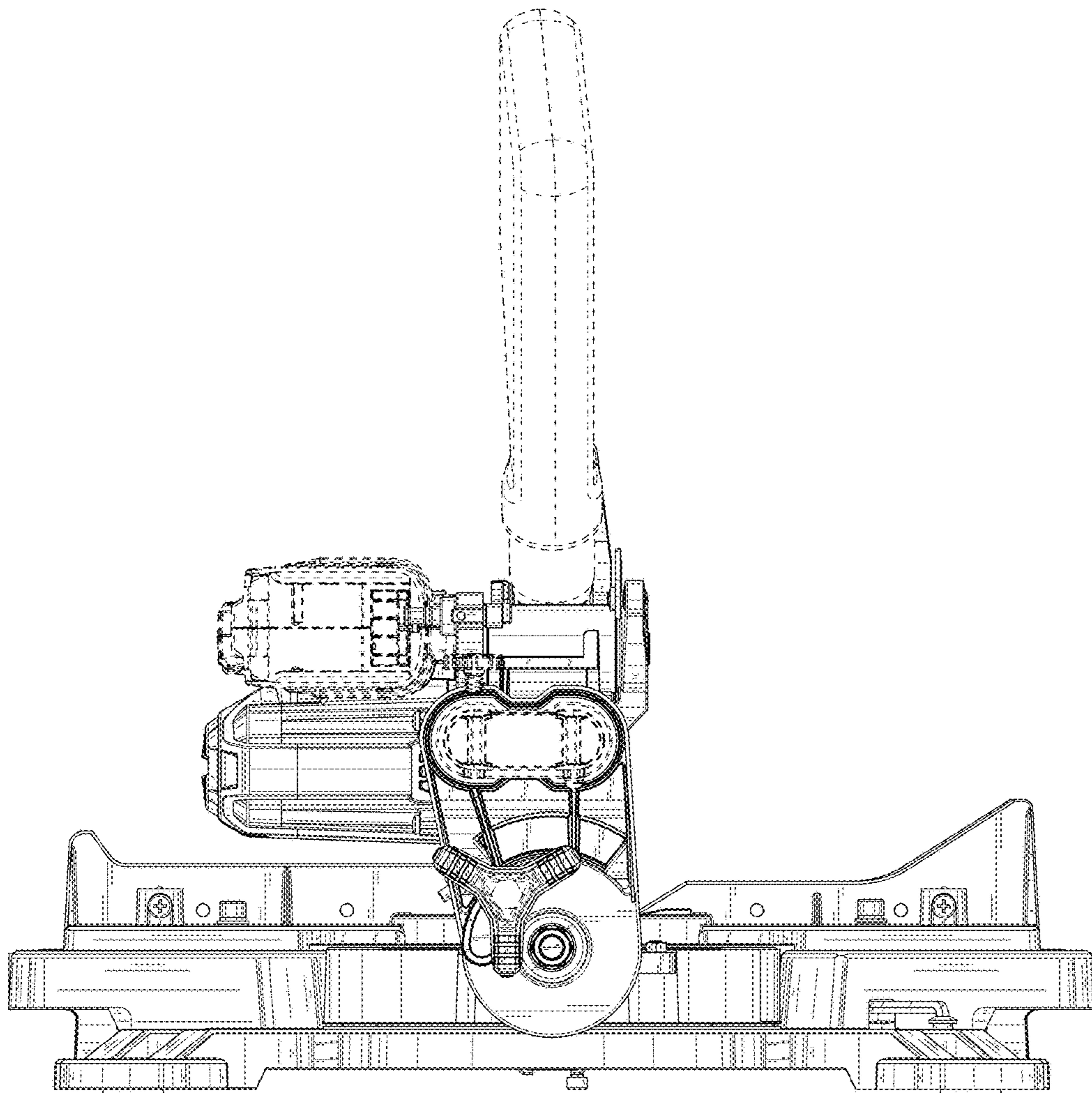


FIG. 4



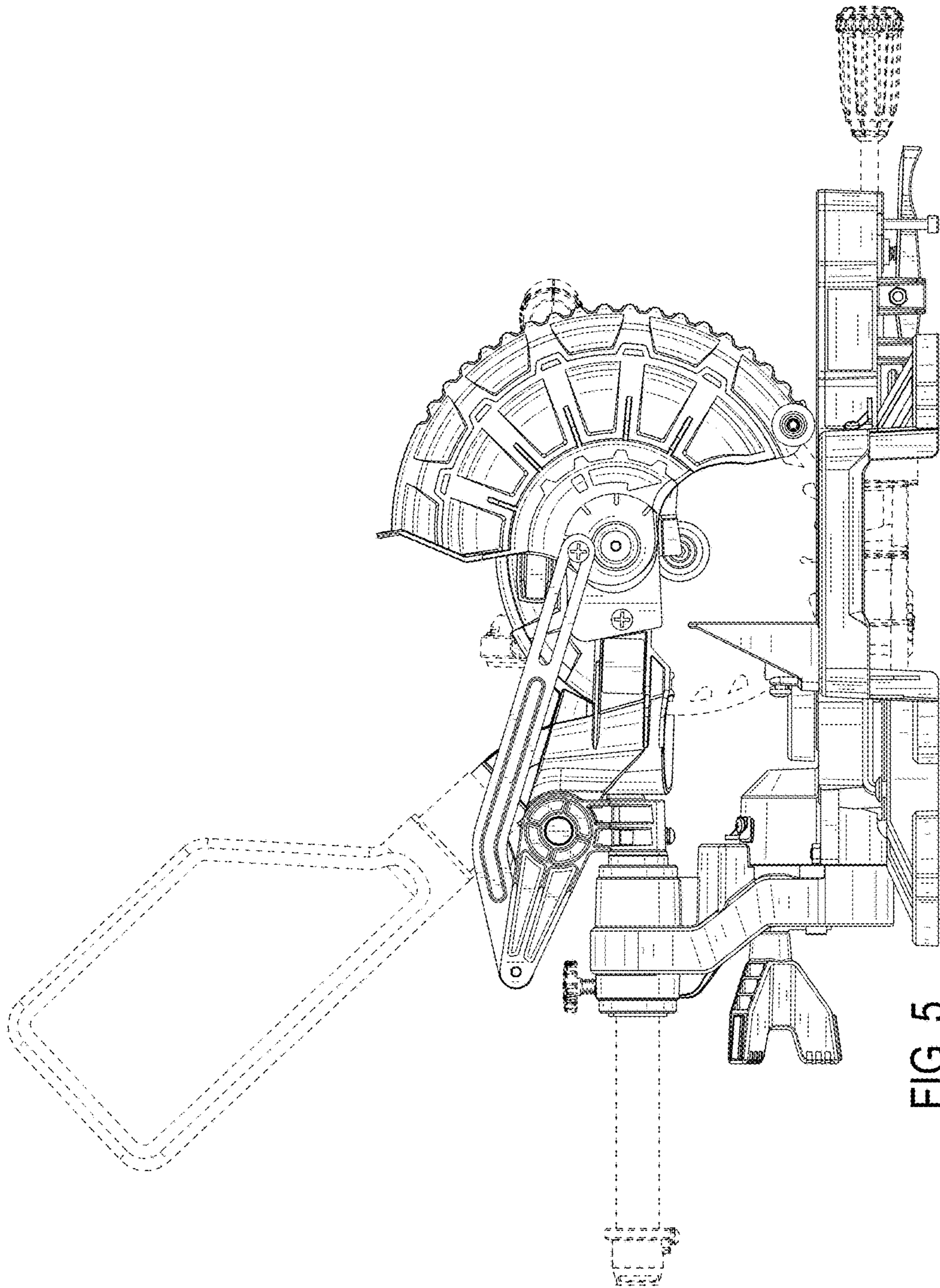


FIG. 5

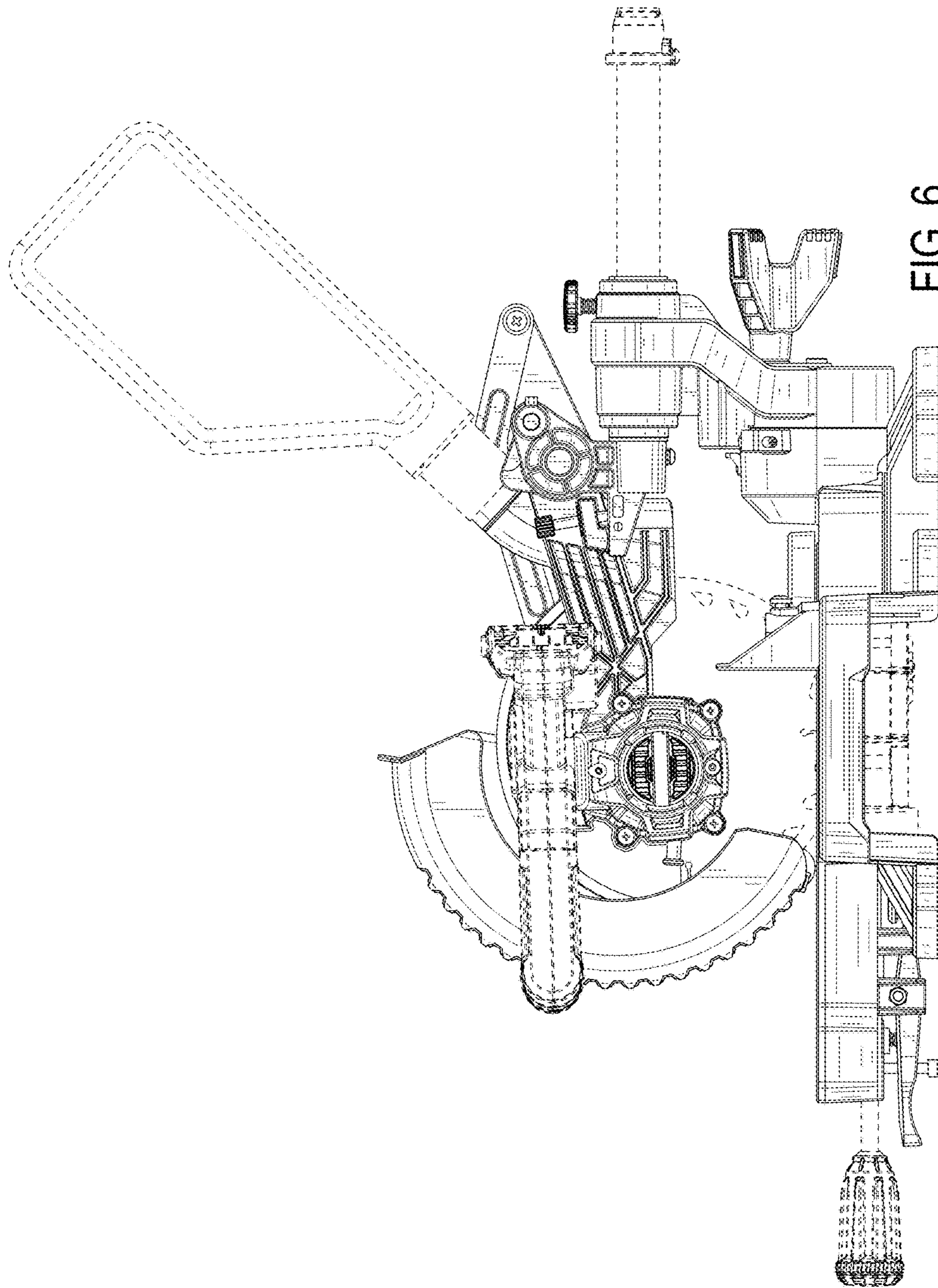


FIG. 6



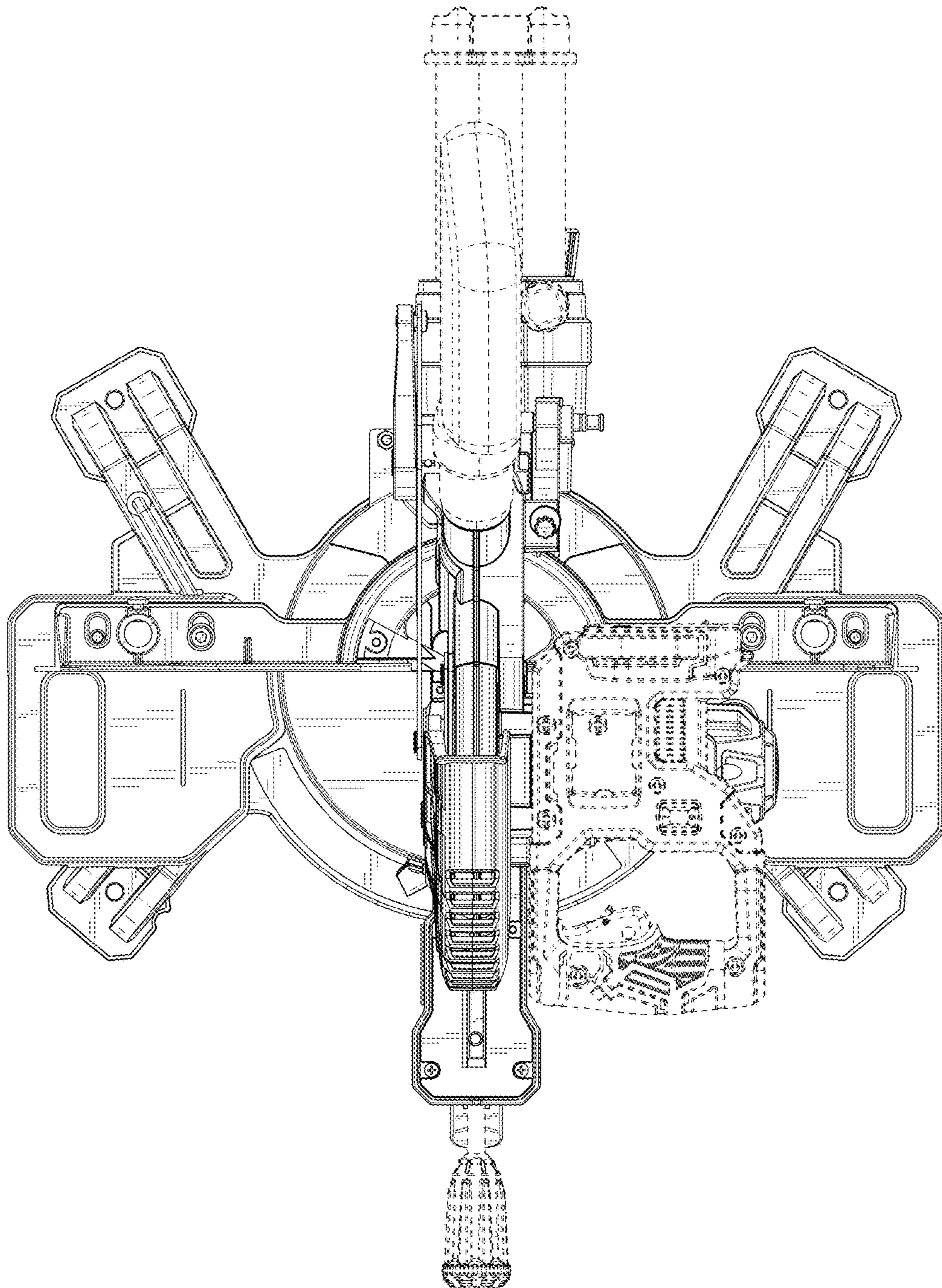


FIG. 7



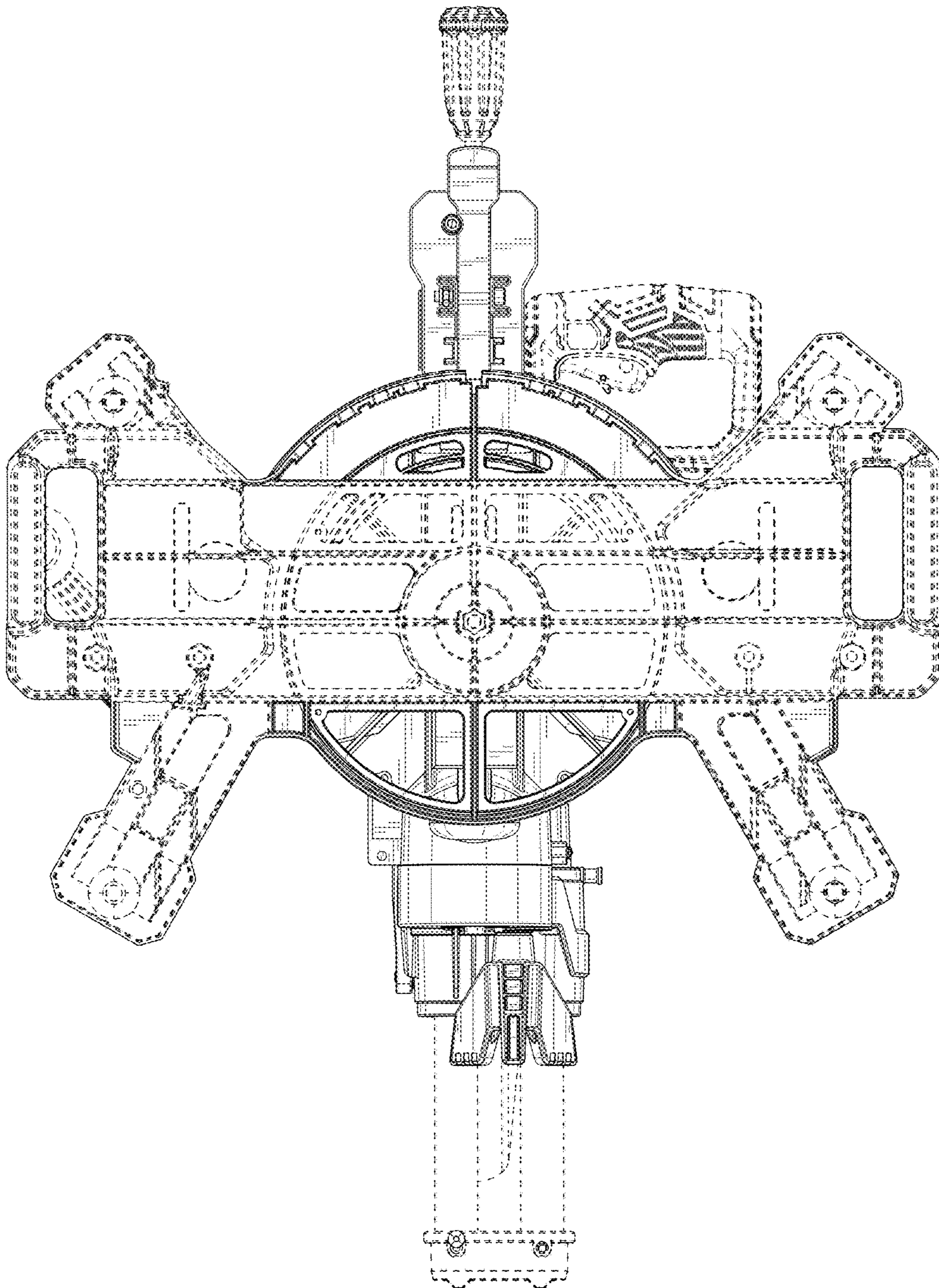


FIG. 8