



US00D851139S

(12) **United States Design Patent** (10) **Patent No.:** **US D851,139 S**  
**Corey et al.** (45) **Date of Patent:** **\*\* Jun. 11, 2019**

(54) **FREEZER SHROUD**

(71) Applicant: **Chart Inc.**, Garfield Heights, OH (US)

(72) Inventors: **John Corey**, Melrose, NY (US); **Peter Mansfield**, Troy, NY (US)

(73) Assignee: **Chart, Inc.**, Ball Ground, GA (US)

(\*\*) Term: **15 Years**

(21) Appl. No.: **29/626,949**

(22) Filed: **Nov. 21, 2017**

(51) **LOC (11) Cl.** ..... **15-07**

(52) **U.S. Cl.**  
USPC ..... **D15/89**

(58) **Field of Classification Search**  
USPC ..... D15/79-91

CPC ..... F25D 23/028; F25D 25/02; F25D 11/00;  
F25D 11/02; F25D 2323/021; F25D  
23/12; F25D 2700/12; F25D 27/00; F25D  
29/00; F25D 17/042; F25D 17/047; F25D  
17/065; F25D 2317/043; F25D 2317/066;  
F25D 2317/0671; F25D 2323/121; F25D  
2331/801; F25D 23/02; F25D 23/04;  
F25D 23/08; F25D 2400/06; F25D  
2400/16; F25D 2500/06; F25D 2700/02;  
F25D 2700/14; F25D 29/003; F25D  
29/005; F25D 29/006

See application file for complete search history.

(56) **References Cited**

U.S. PATENT DOCUMENTS

|              |         |        |       |        |
|--------------|---------|--------|-------|--------|
| D741,382 S * | 10/2015 | Ogg    | ..... | D15/89 |
| D744,012 S * | 11/2015 | Pfaff  | ..... | D15/89 |
| D744,013 S * | 11/2015 | Pfaff  | ..... | D15/89 |
| D762,746 S * | 8/2016  | Heck   | ..... | D15/89 |
| D776,172 S * | 1/2017  | Jensen | ..... | D15/89 |

\* cited by examiner

*Primary Examiner* — Khawaja Anwar

(74) *Attorney, Agent, or Firm* — Cook Alex Ltd.; R. Blake Johnston

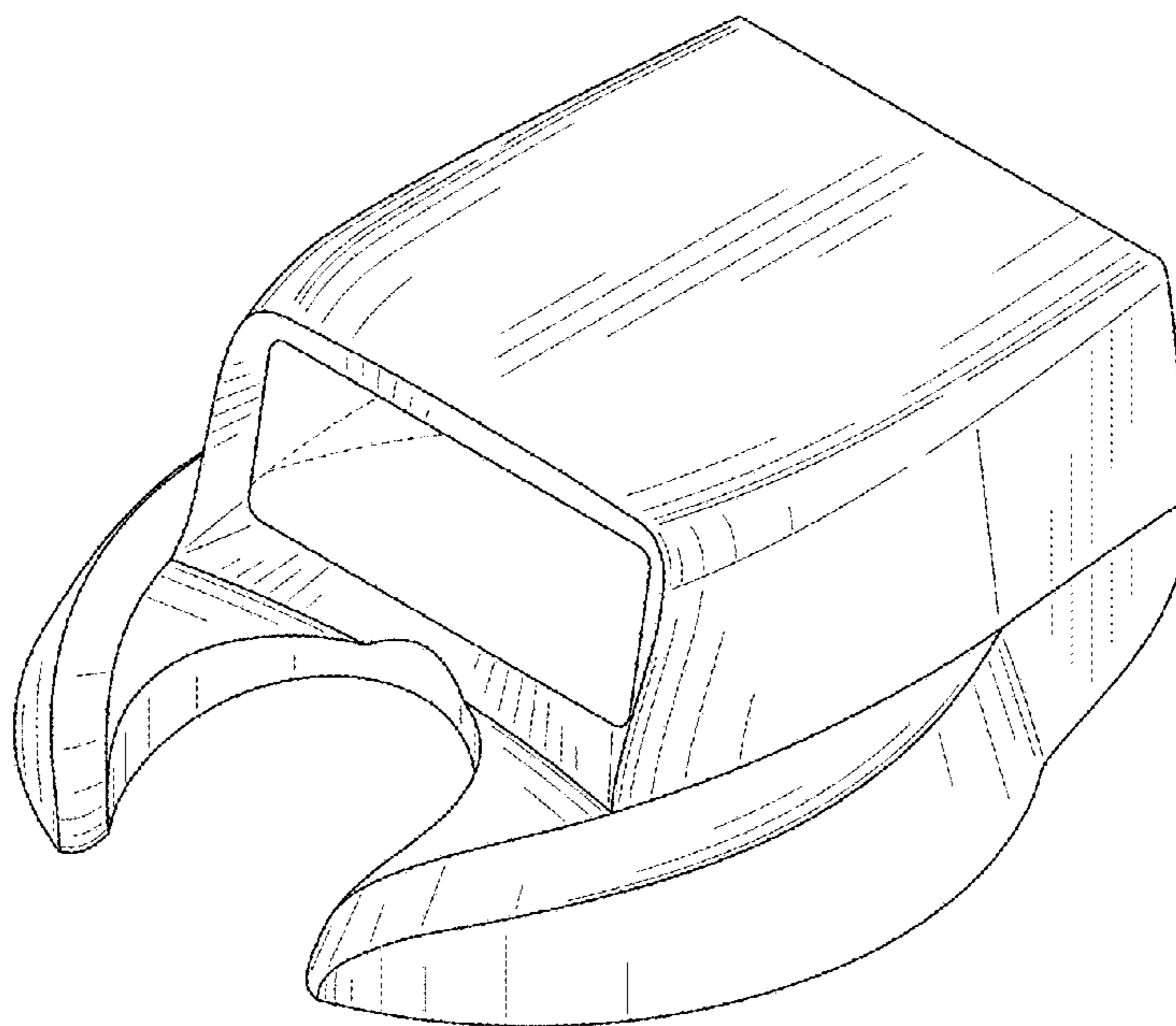
(57) **CLAIM**

The ornamental design for a freezer shroud, as shown and described.

**DESCRIPTION**

FIG. 1 is a perspective view of the freezer shroud;  
FIG. 2 is a front elevational view of the freezer shroud;  
FIG. 3 is a the rear elevational view of the freezer shroud;  
FIG. 4 is a left side elevational view of the freezer shroud;  
FIG. 5 is a right side elevational view of the freezer shroud;  
FIG. 6 is a top plan view of the freezer shroud; and,  
FIG. 7 is a bottom plan view of the freezer shroud.  
The broken lines shown in the drawings are for illustrative purposes only and form no part of the claimed design.

**1 Claim, 6 Drawing Sheets**



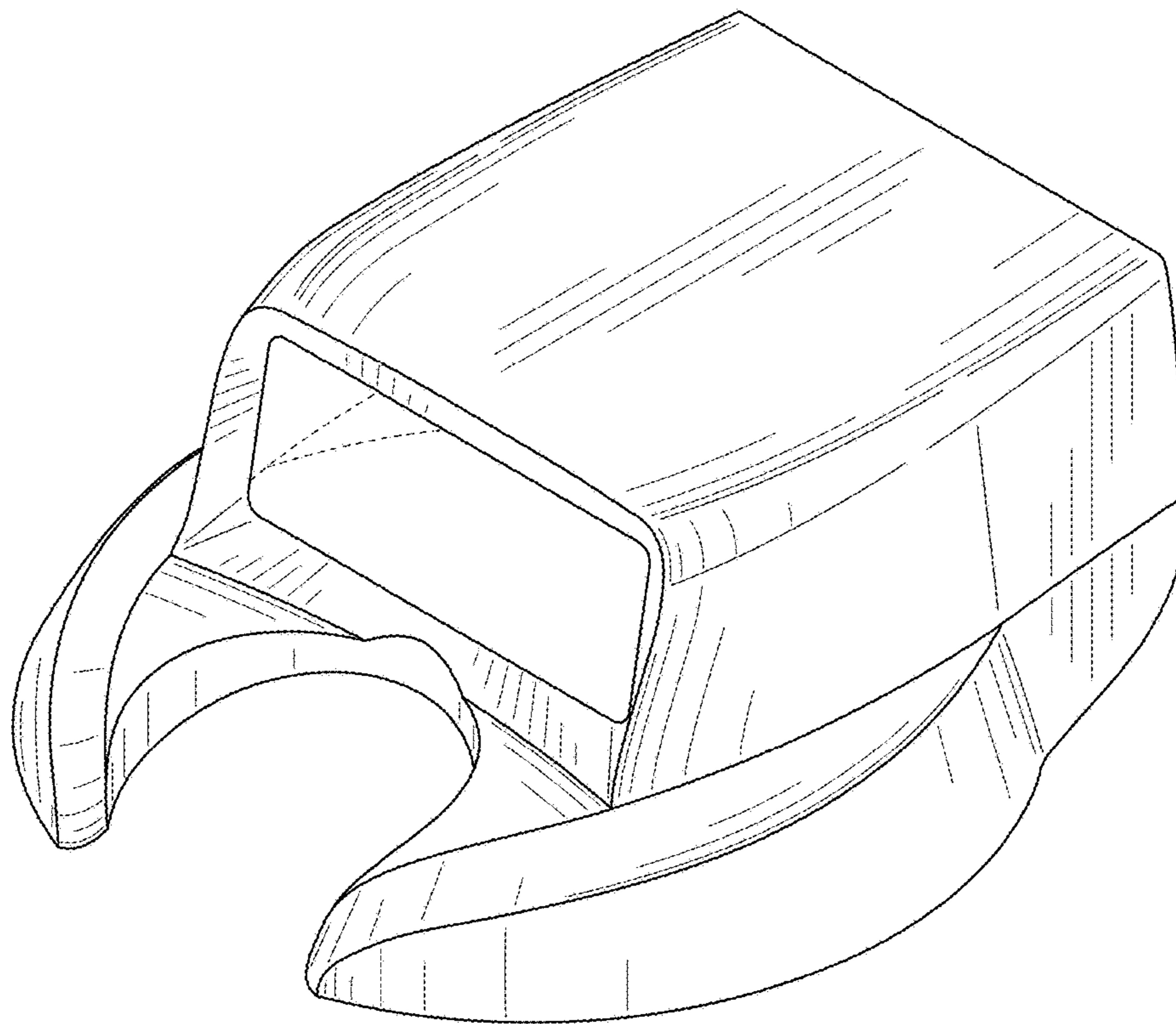


FIG. 1

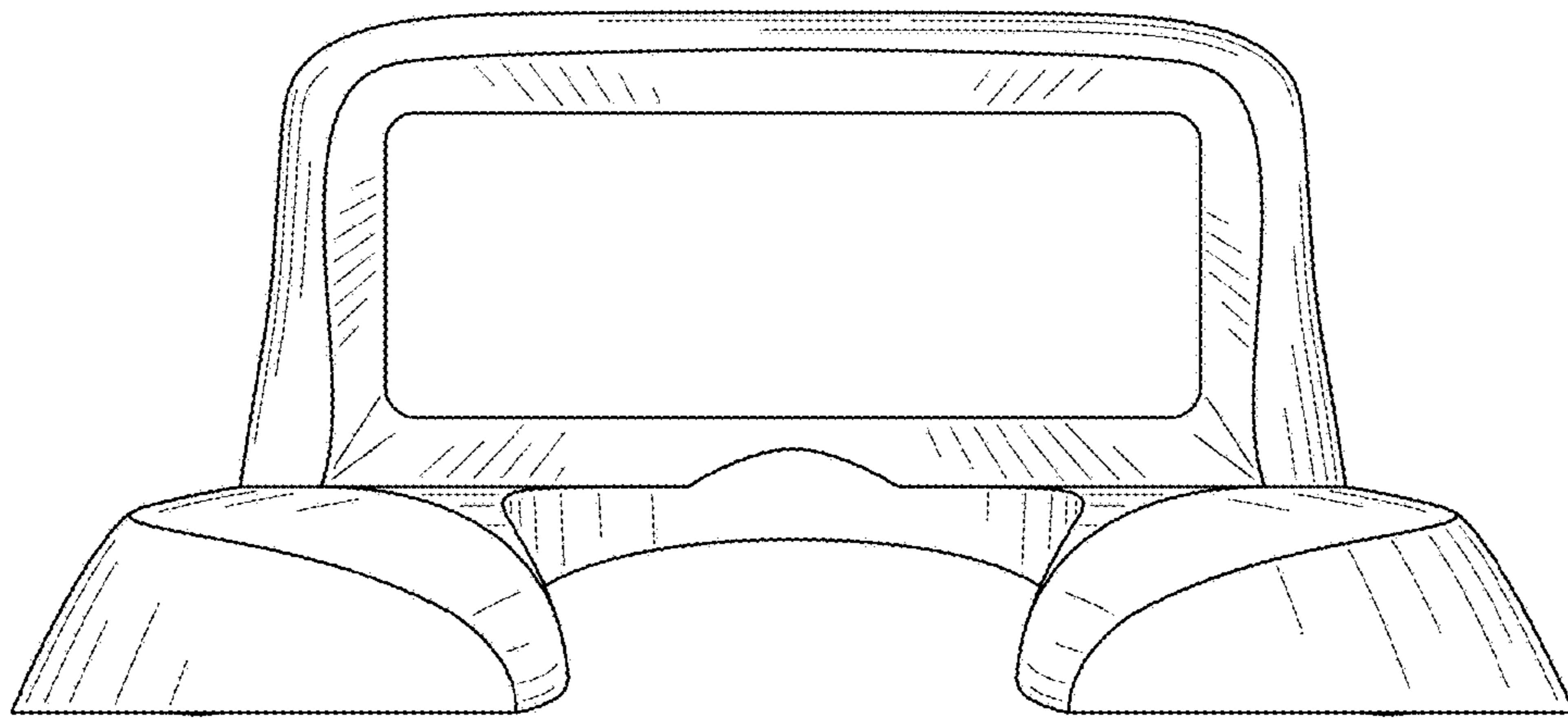


FIG. 2

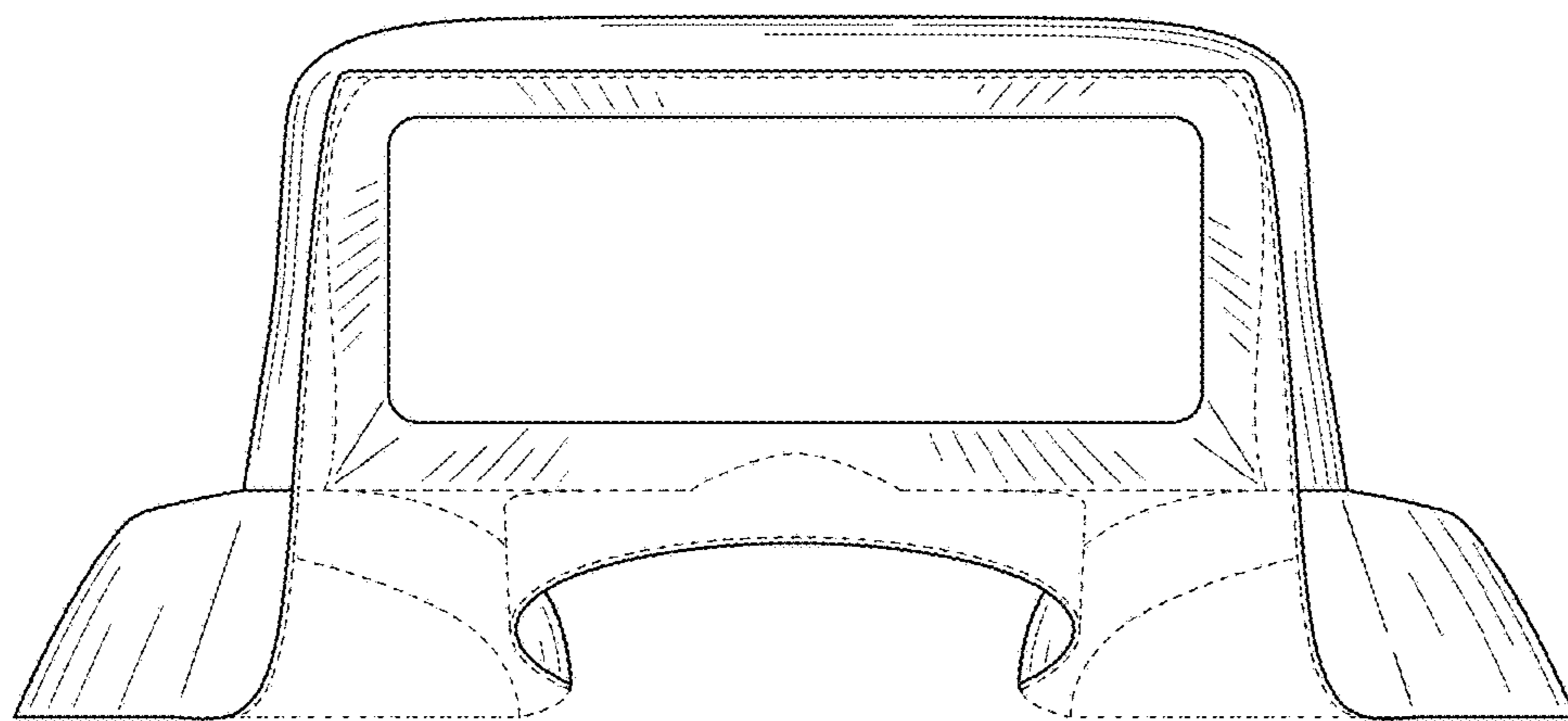


FIG. 3

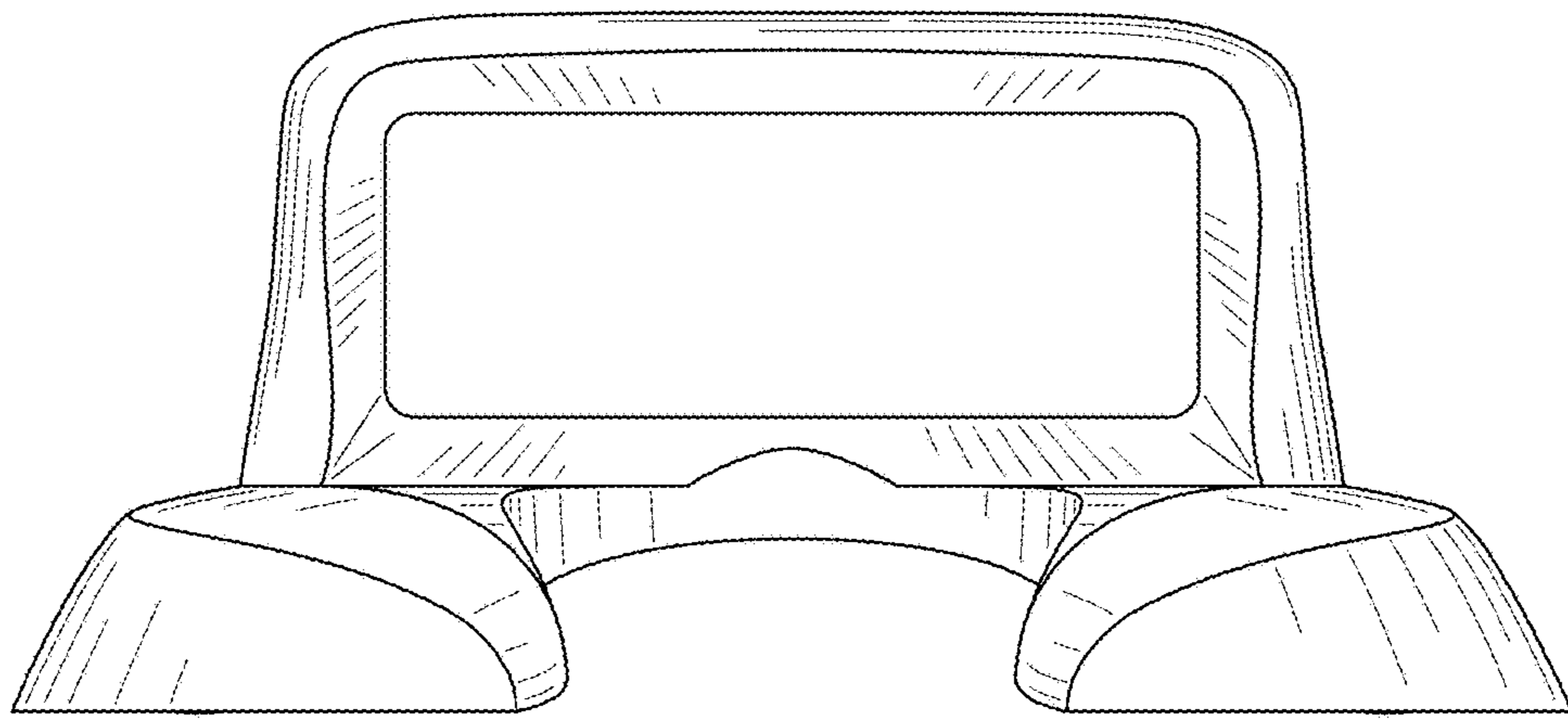


FIG. 2

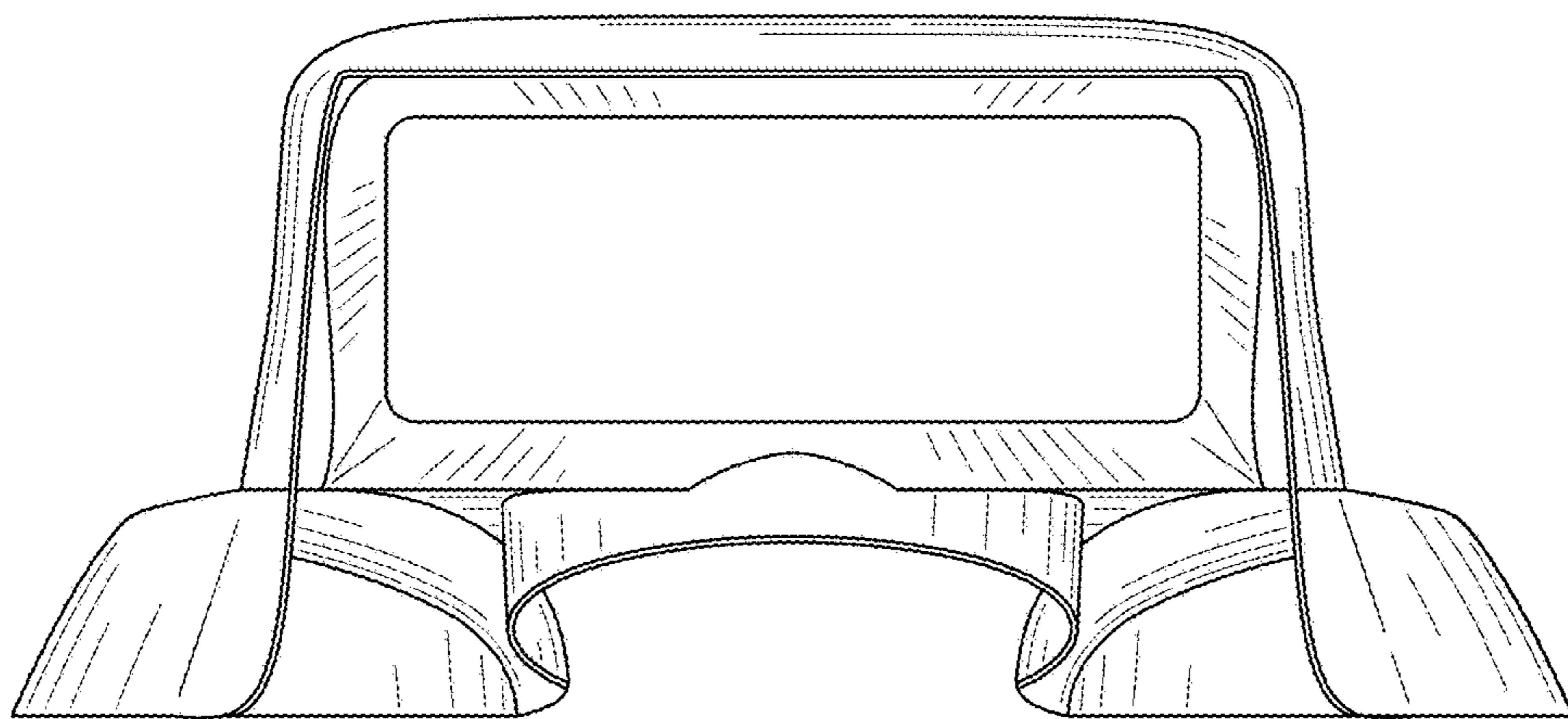


FIG. 3

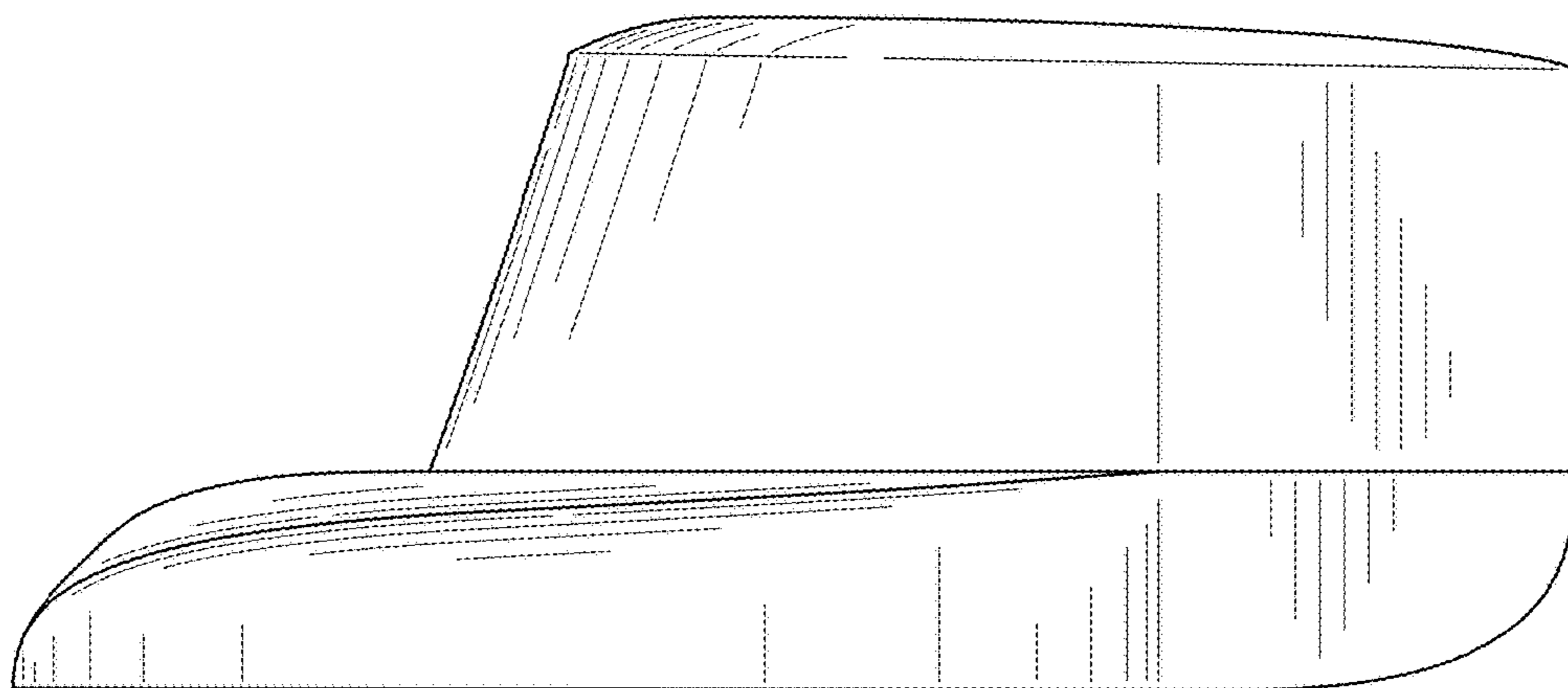


FIG. 4

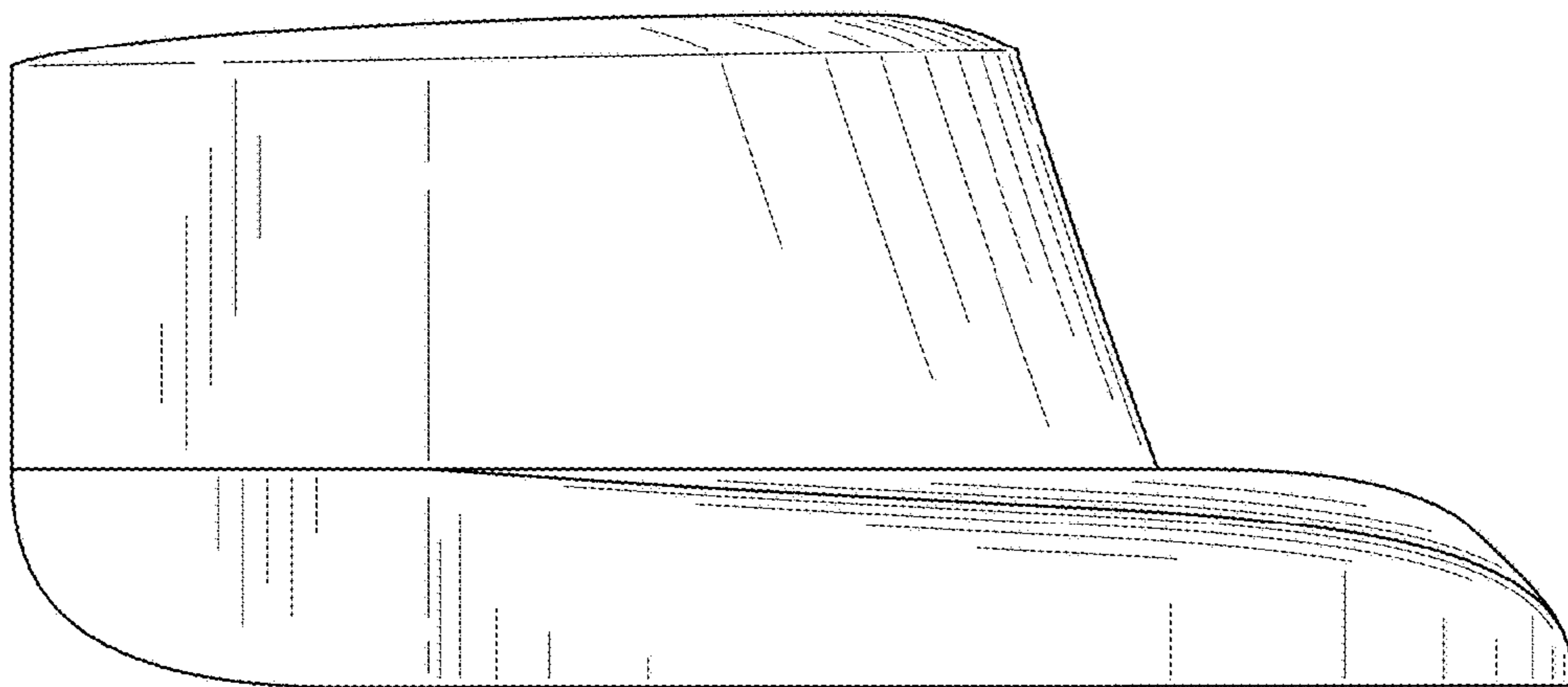


FIG. 5



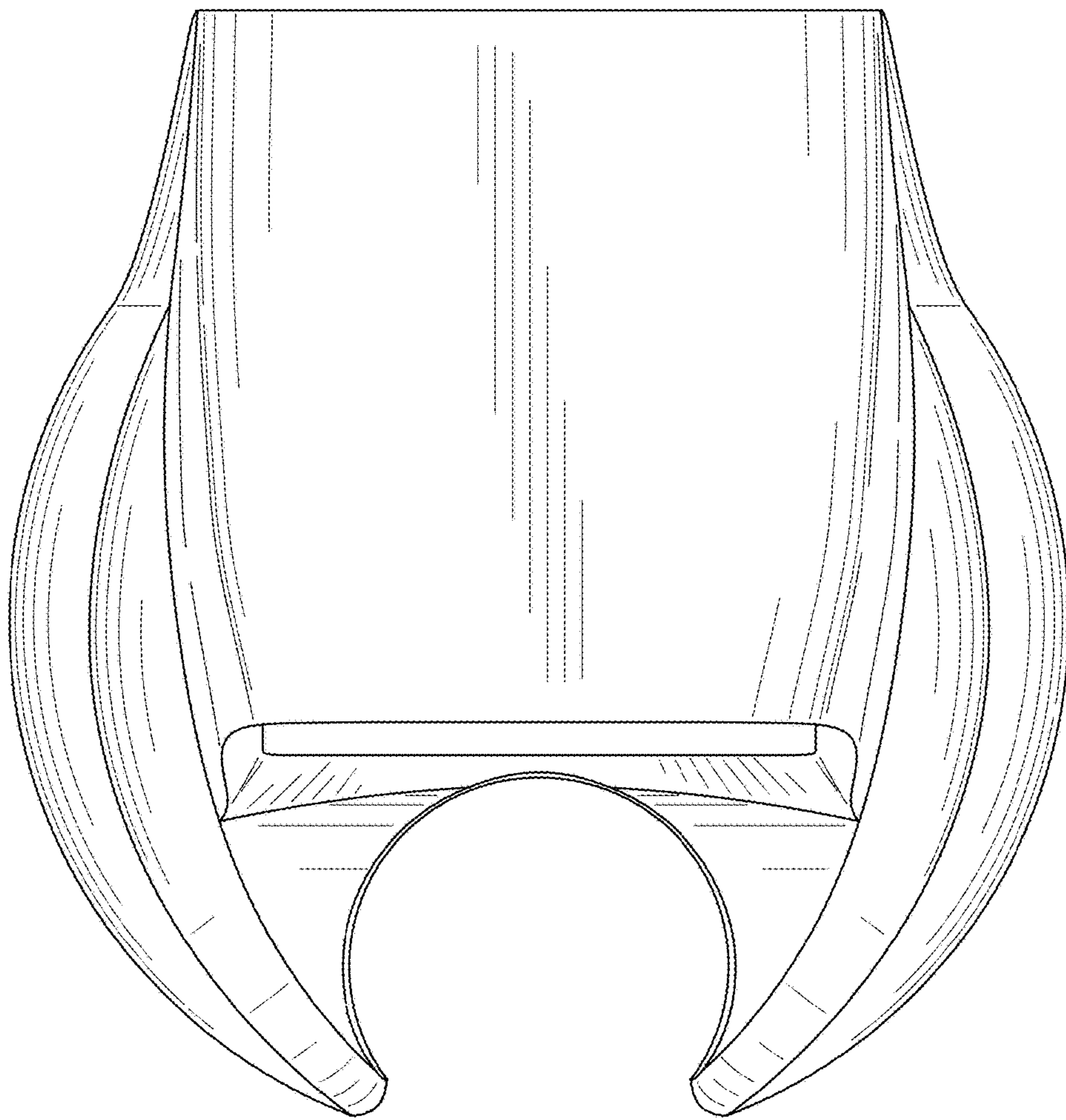


FIG. 6

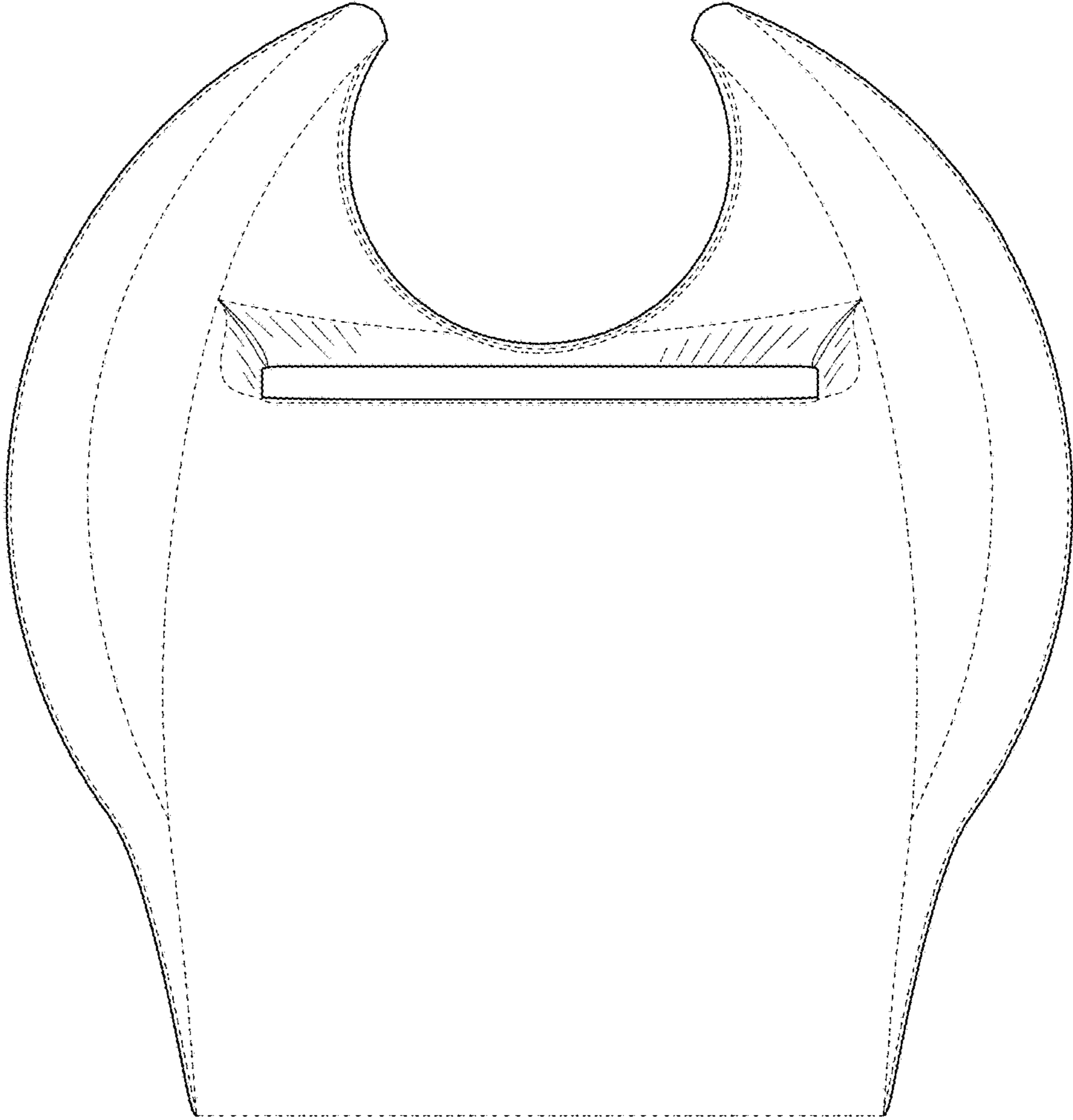


FIG. 7