



US00D851138S

(12) **United States Design Patent**
Murobayashi et al.

(10) **Patent No.:** **US D851,138 S**
(45) **Date of Patent:** **** Jun. 11, 2019**

(54) **REFRIGERATOR**

(71) Applicant: **Sawafuji Electric Co., Ltd.**, Ota-shi,
Gunma (JP)

(72) Inventors: **Toshinao Murobayashi**, Ota (JP);
Takayuki Nakamura, Ota (JP);
Masahiro Takemoto, Ota (JP)

(73) Assignee: **Sawafuji Electric Co., Ltd.**, Ota-shi,
Gunma (JP)

(**) Term: **15 Years**

(21) Appl. No.: **29/643,174**

(22) Filed: **Apr. 5, 2018**

(30) **Foreign Application Priority Data**

Oct. 6, 2017 (JP) 2017-023714
Oct. 16, 2017 (JP) 2017-024500

(51) **LOC (11) Cl.** **15-07**

(52) **U.S. Cl.**
USPC **D15/81**

(58) **Field of Classification Search**
USPC D15/79-91; D7/603-608; D3/272-274
CPC F25D 17/02; F25D 11/003; F25D 19/003;
F25D 19/02; F25D 21/04; F25D 2201/14;
F25D 2331/803; F25D 2331/805; F25D
23/006; F25D 23/028; F25D 23/065;
F25D 23/066; F25D 23/085; F25D
2400/20; F25D 2400/28; F25D 2400/38;
F25D 2700/16;

(Continued)

(56) **References Cited**

U.S. PATENT DOCUMENTS

D558,239 S * 12/2007 Takemoto D15/79
D596,651 S * 7/2009 Li D15/79
8,516,848 B2 * 8/2013 White A45C 13/02
62/457.1

(Continued)

Primary Examiner — Khawaja Anwar

(74) *Attorney, Agent, or Firm* — Sughrue Mion, PLLC

(57) **CLAIM**

The ornamental design for a refrigerator, as shown and described.

DESCRIPTION

FIG. 1. is a perspective view of the front, top, and left sides of a refrigerator showing a first embodiment of our new design;

FIG. 2. is a perspective view of the rear, top, and right sides thereof;

FIG. 3. is a perspective view of the front, bottom, and left sides thereof;

FIG. 4. is a perspective view of the rear, bottom, and right sides thereof;

FIG. 5. is a front view thereof;

FIG. 6. is a rear view thereof;

FIG. 7. is a left side view thereof;

FIG. 8. is a right side view thereof;

FIG. 9. is a top plan view thereof;

FIG. 10. is a bottom view thereof;

FIG. 11. is a perspective view of the front, top, and left sides of a refrigerator showing a second embodiment of our new design;

FIG. 12. is a perspective view of the rear, top, and right sides thereof;

FIG. 13. is a perspective view of the front, bottom, and left sides thereof;

FIG. 14. is a perspective view of the rear, bottom, and right sides thereof;

FIG. 15. is a front view thereof;

FIG. 16. is a rear view thereof;

FIG. 17. is a left side view thereof;

FIG. 18. is a right side view thereof;

FIG. 19. is a top plan view thereof; and,

FIG. 20. is a bottom view thereof.

The broken lines shown represent unclaimed subject matter of the refrigerator and form no part of the claimed design.

1 Claim, 20 Drawing Sheets

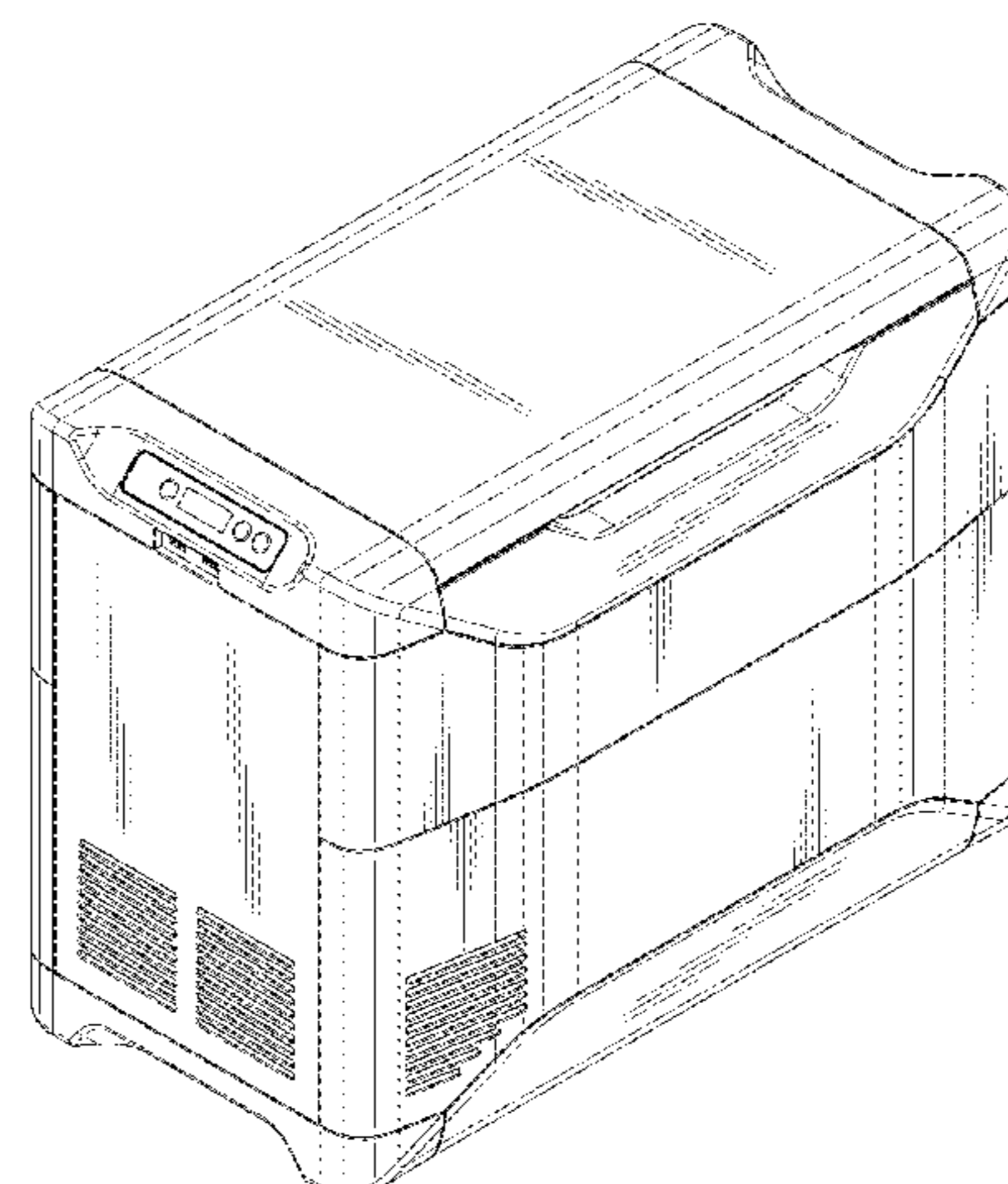
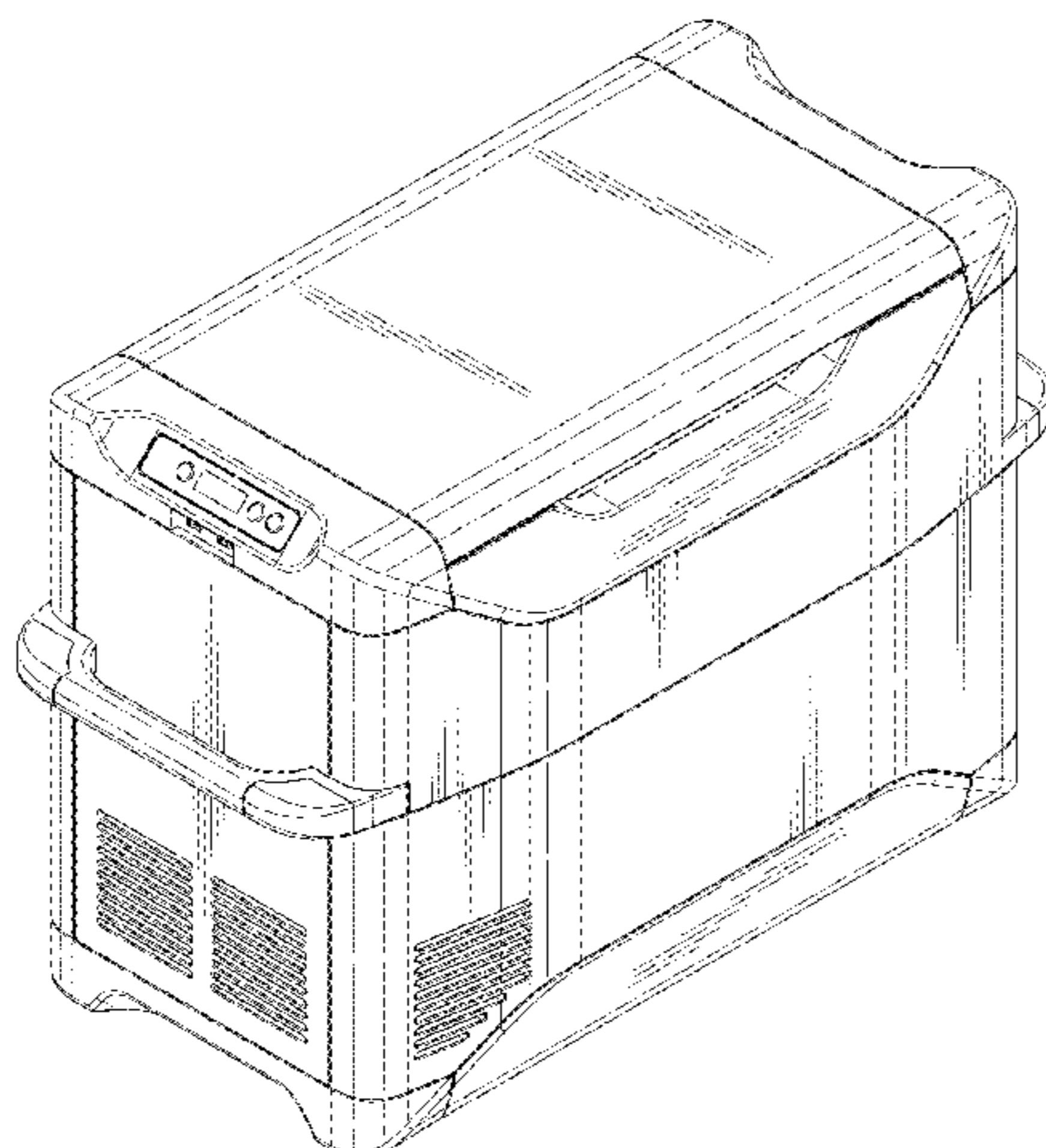


Fig. 1

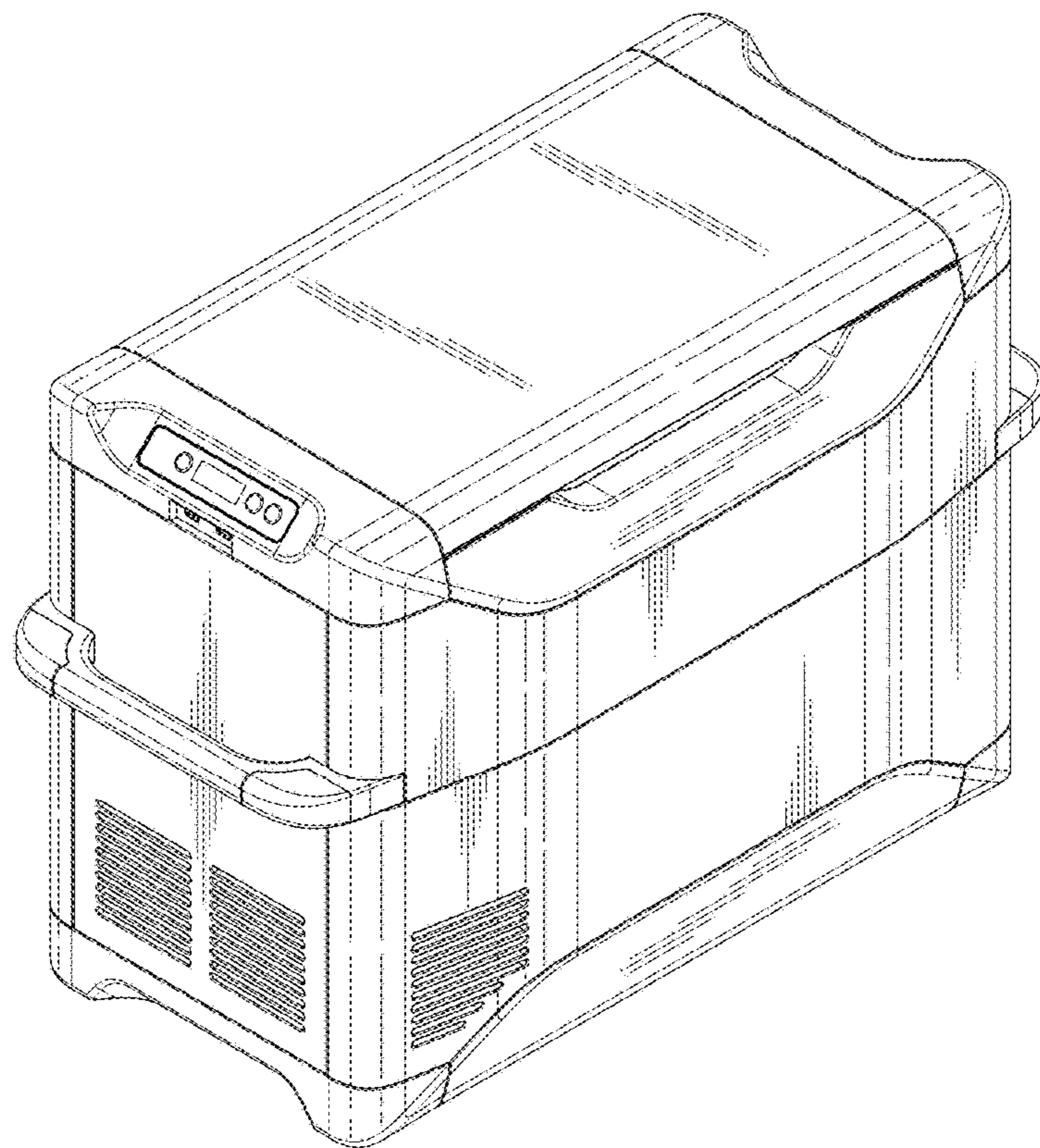


Fig. 2

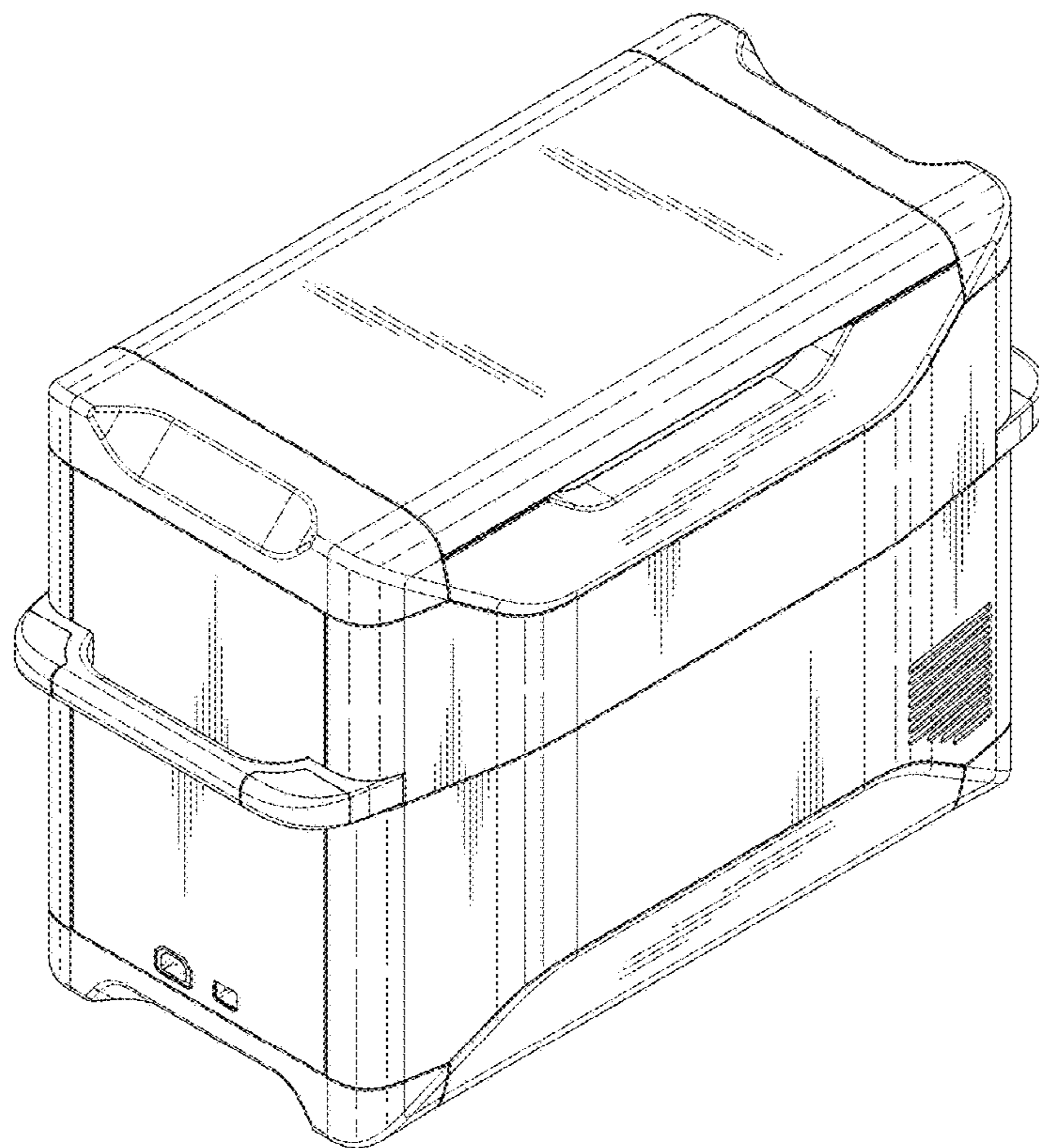


Fig. 3

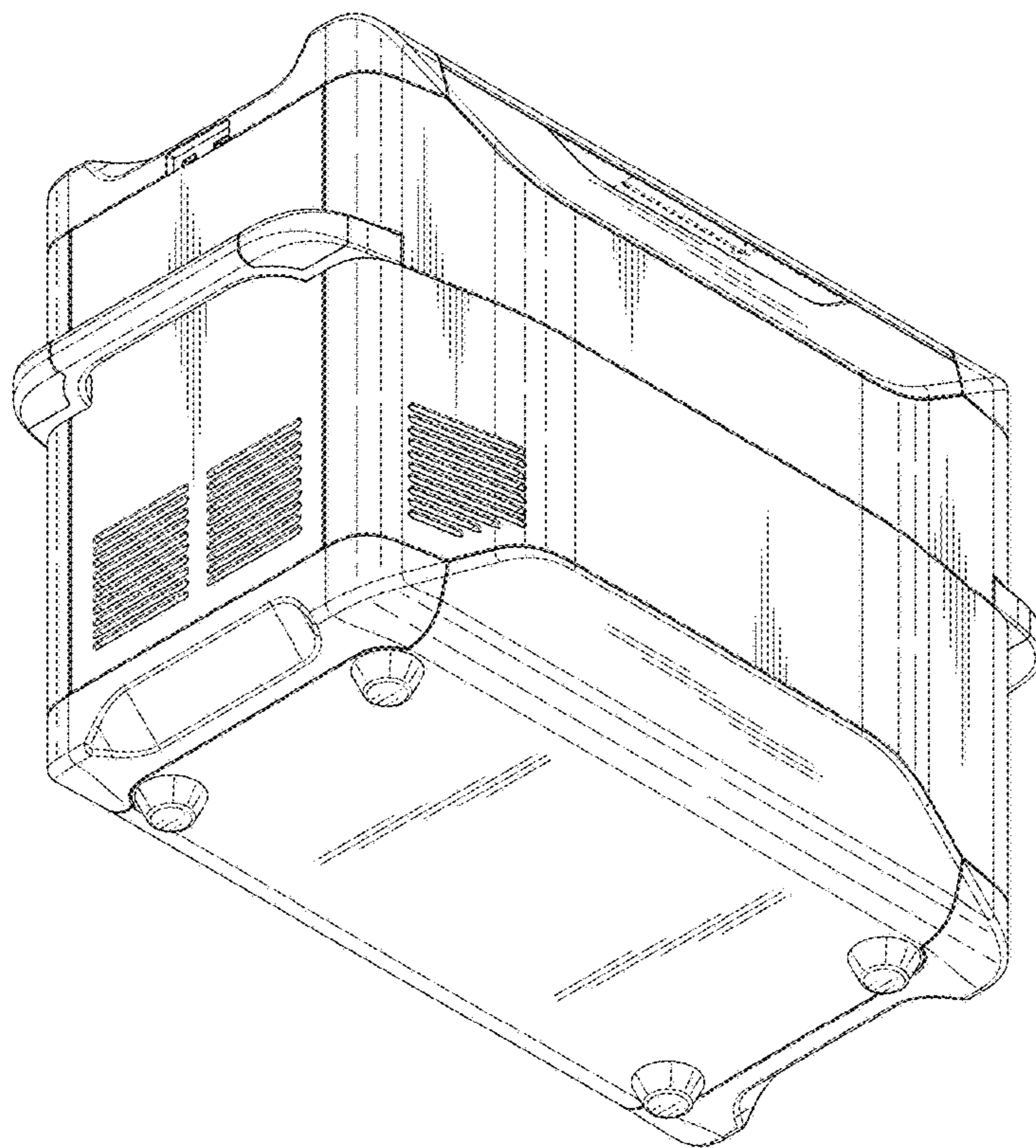


Fig. 4

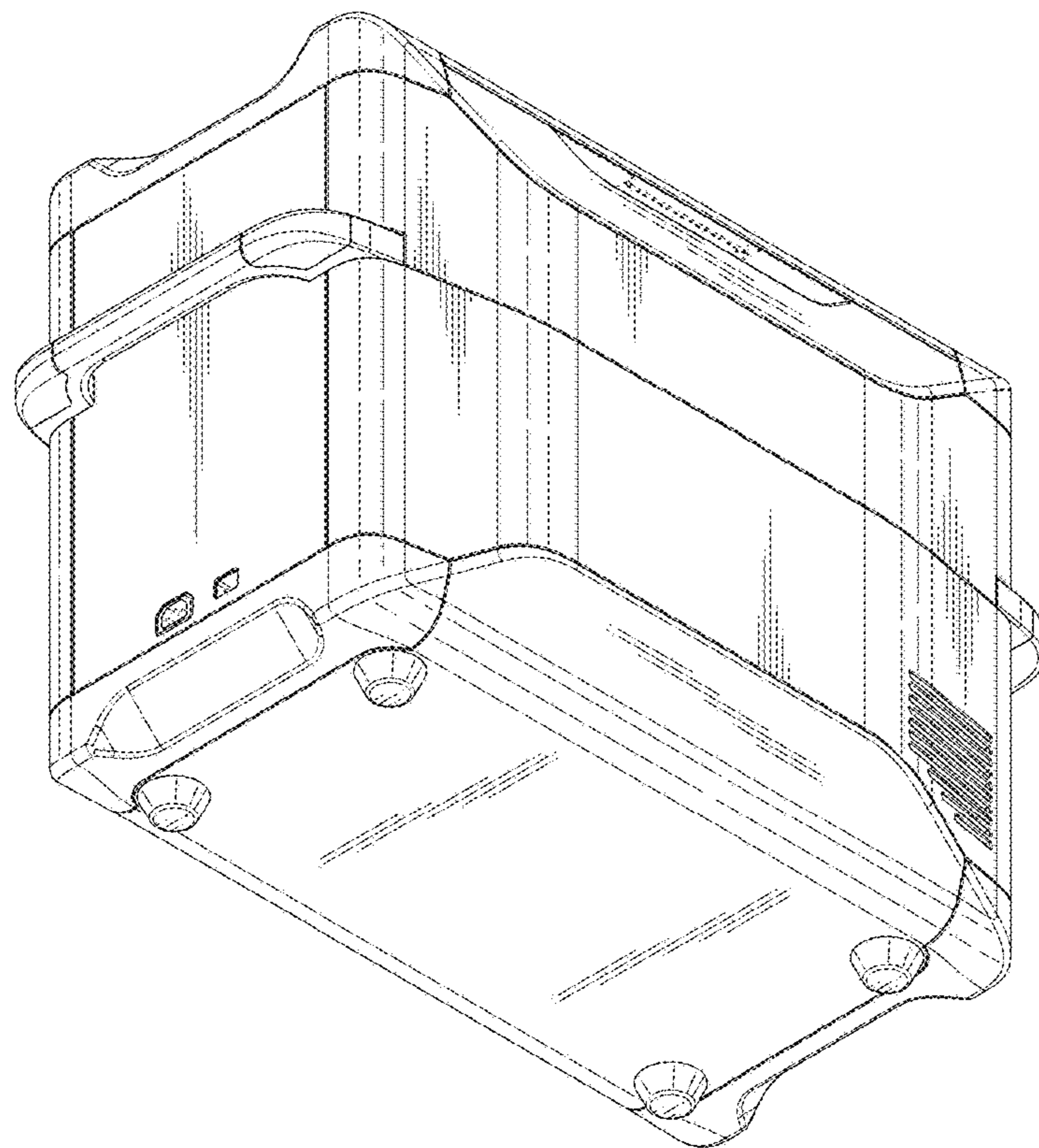


Fig. 5

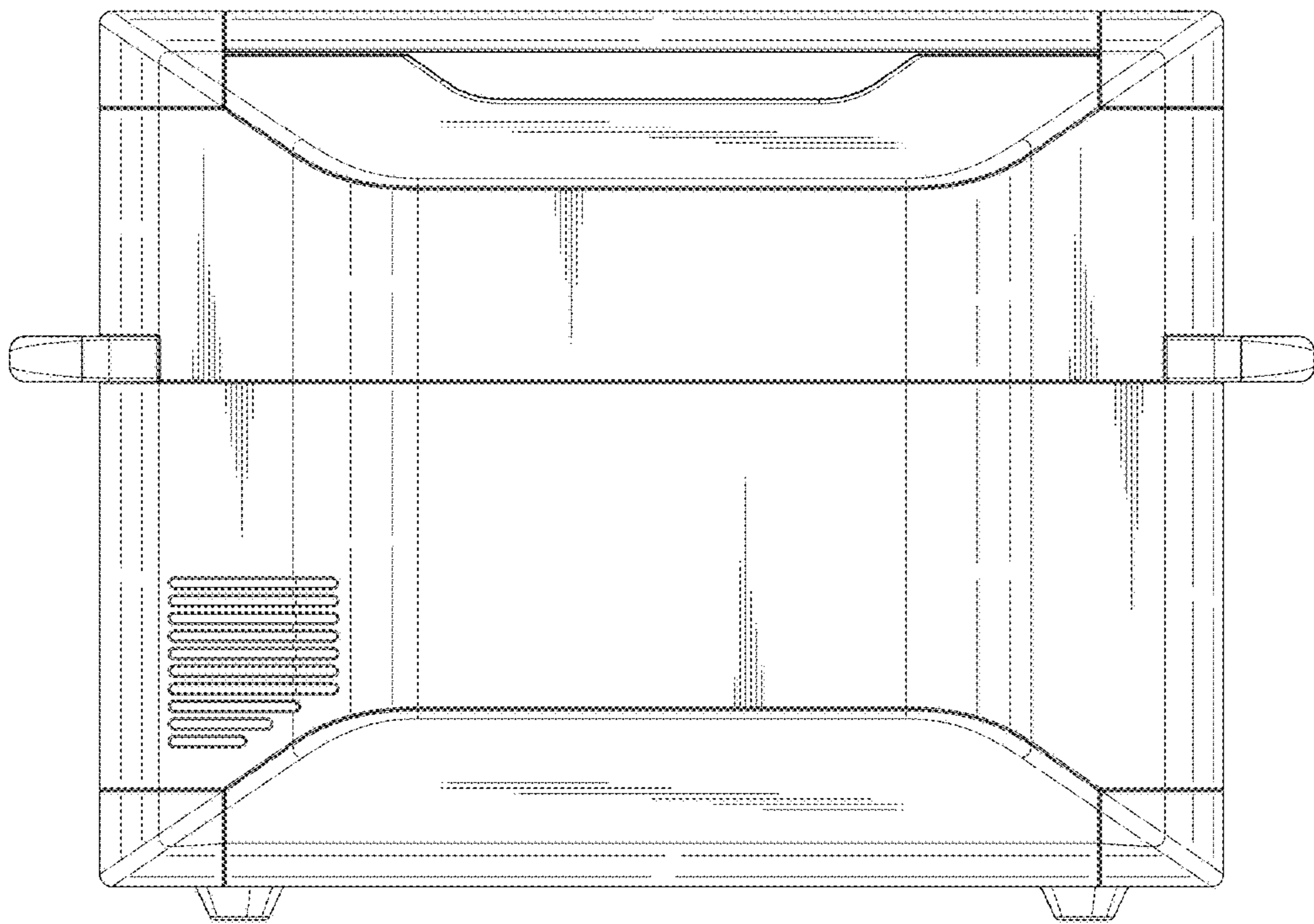


Fig. 6

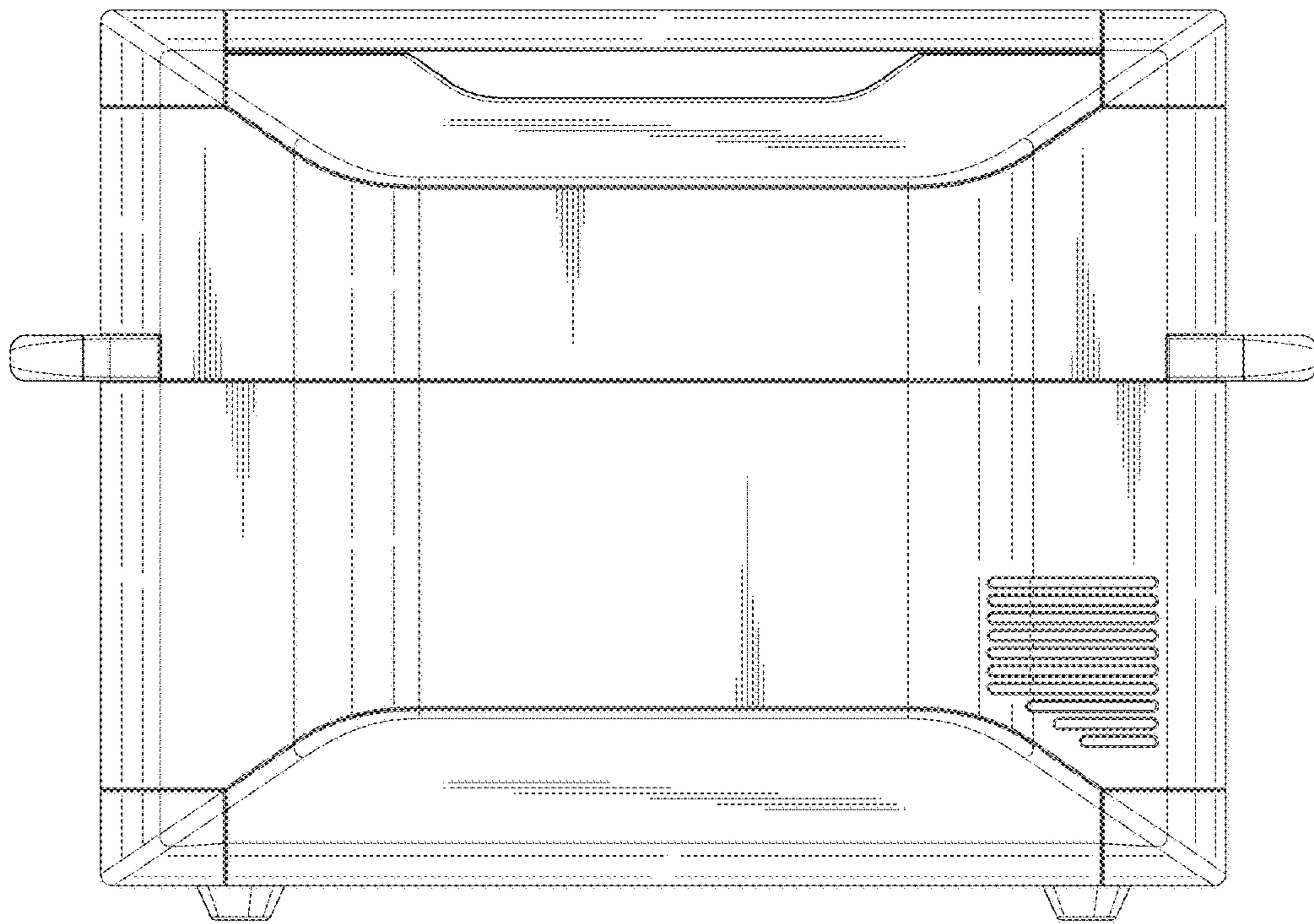


Fig. 7

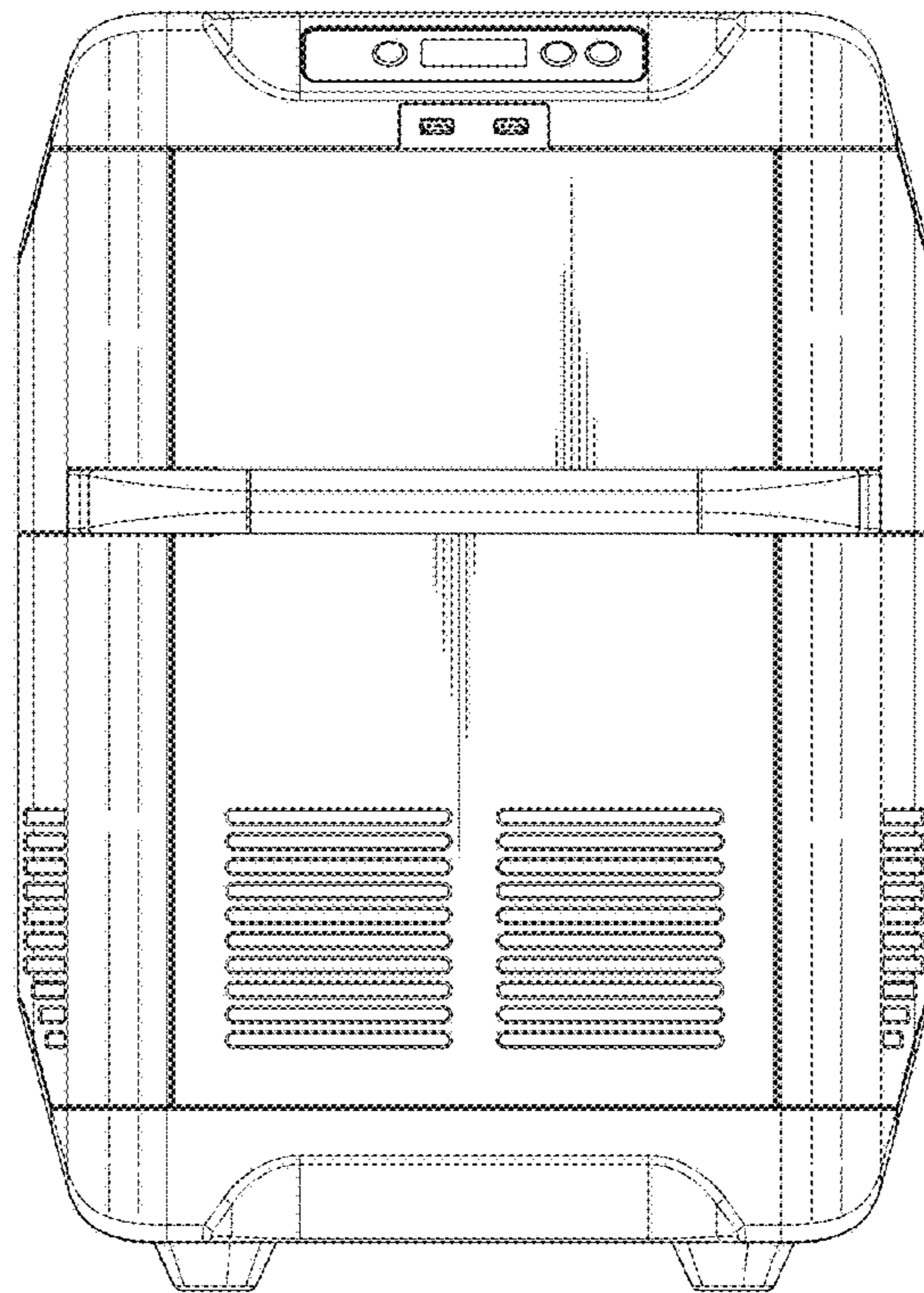


Fig. 8

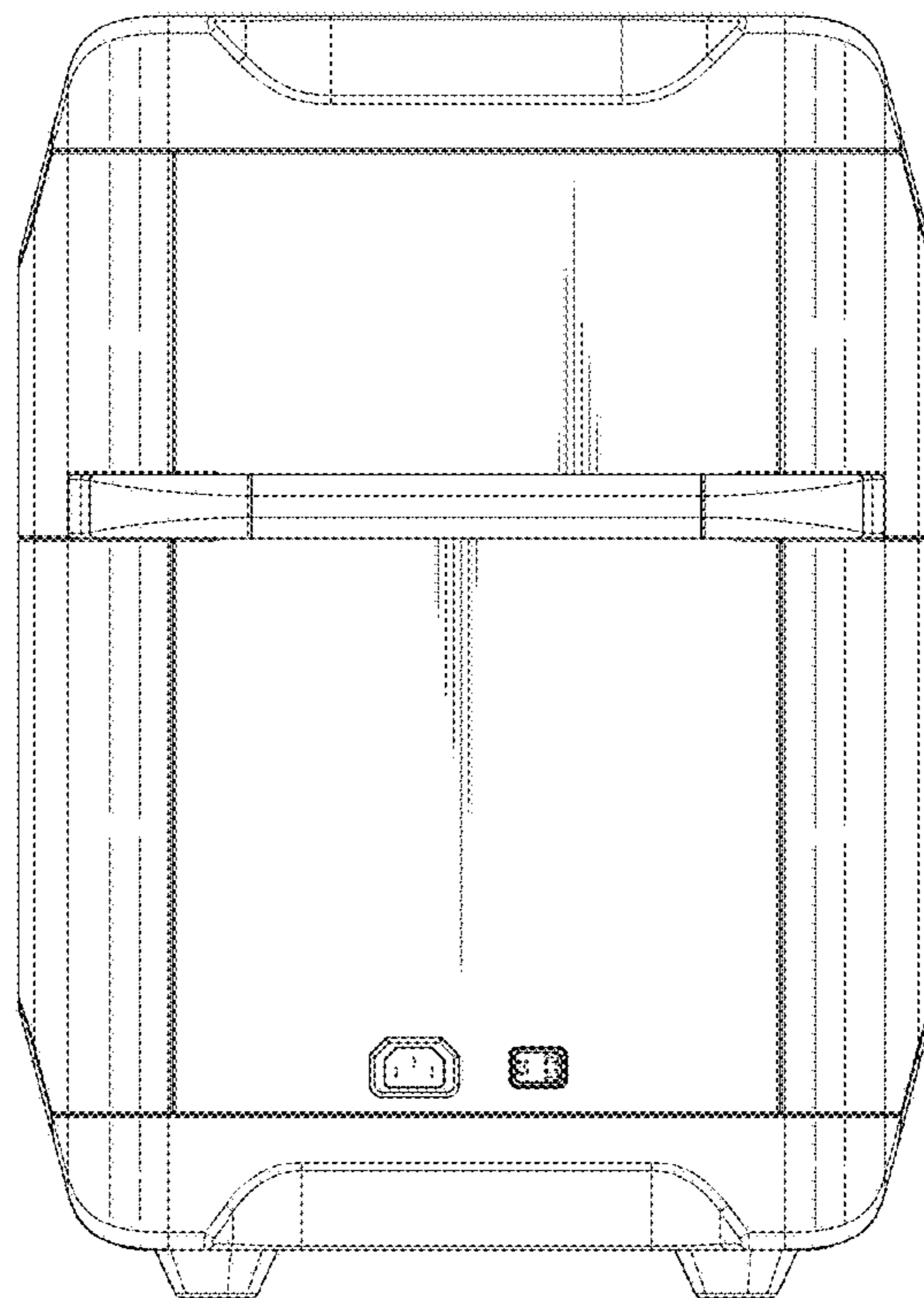


Fig. 9

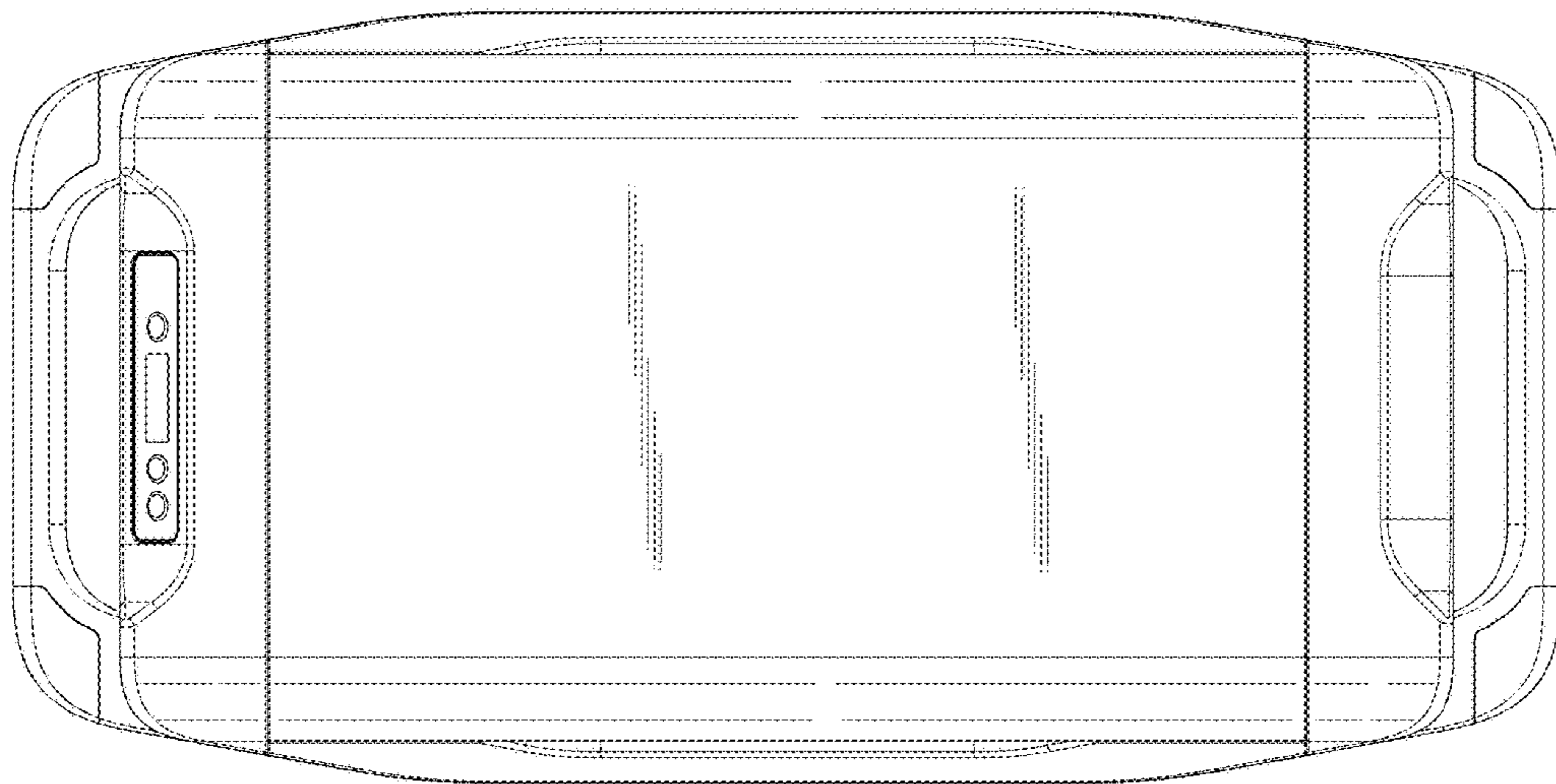


Fig. 10

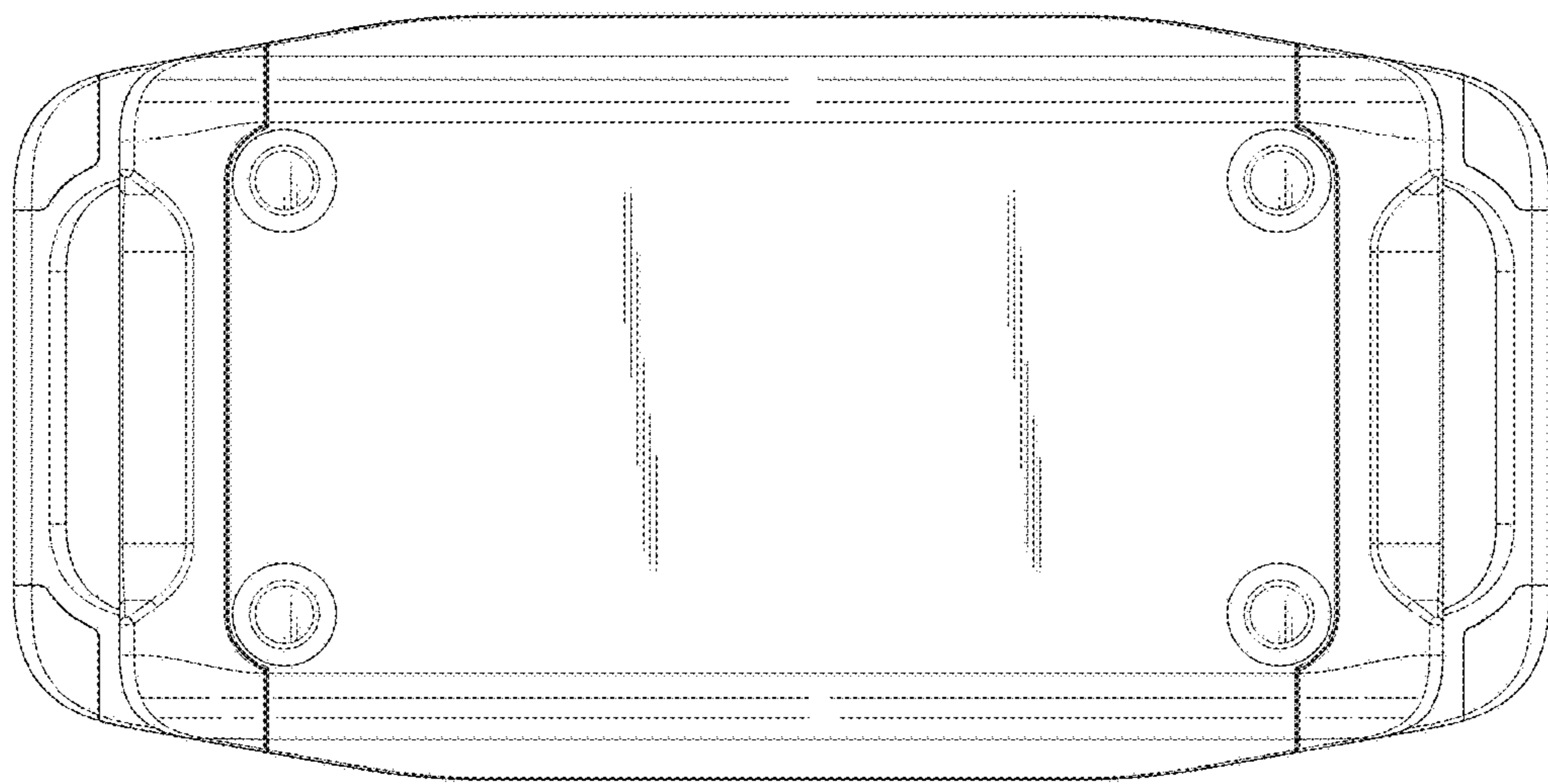


Fig. 11

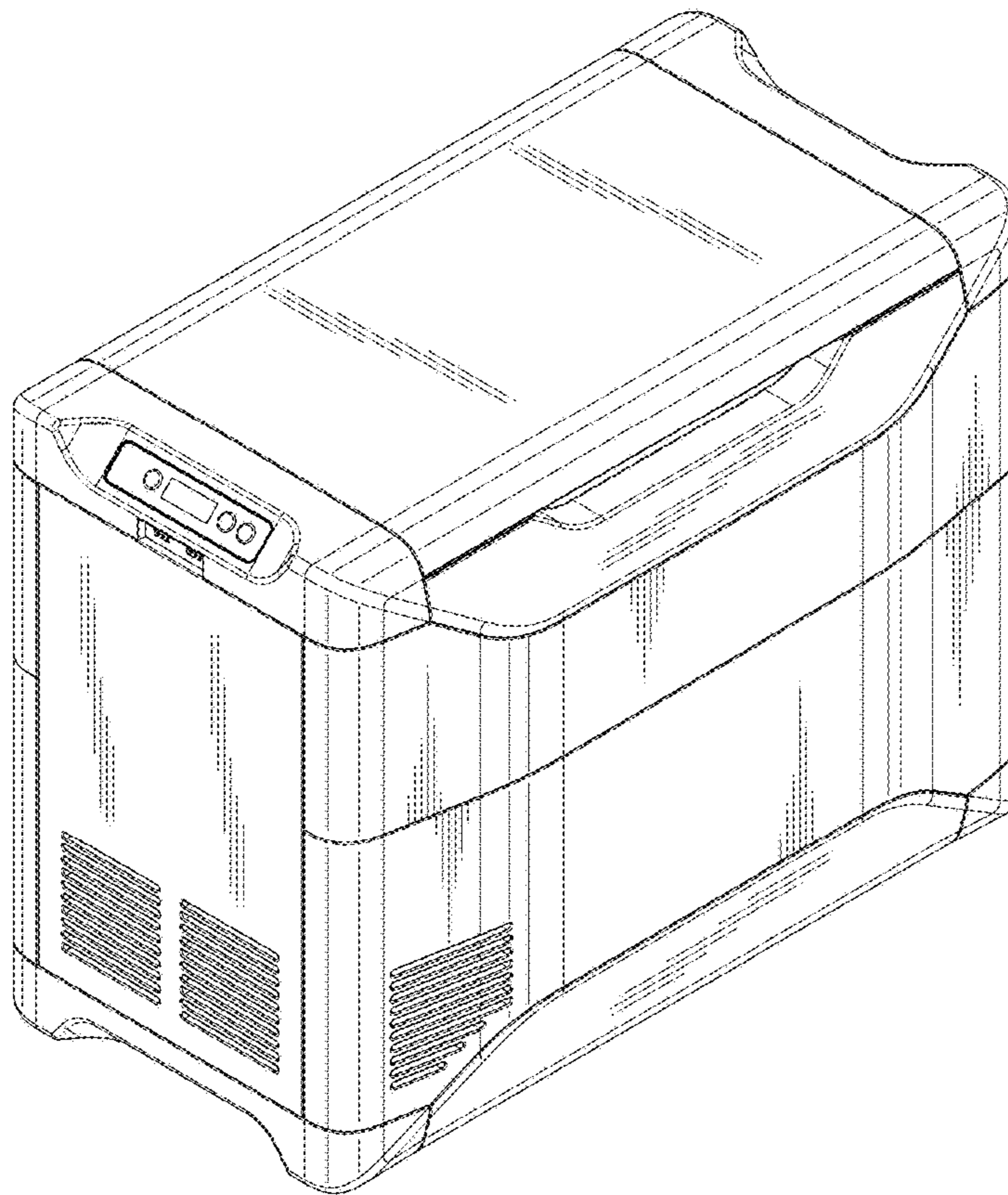


Fig. 12

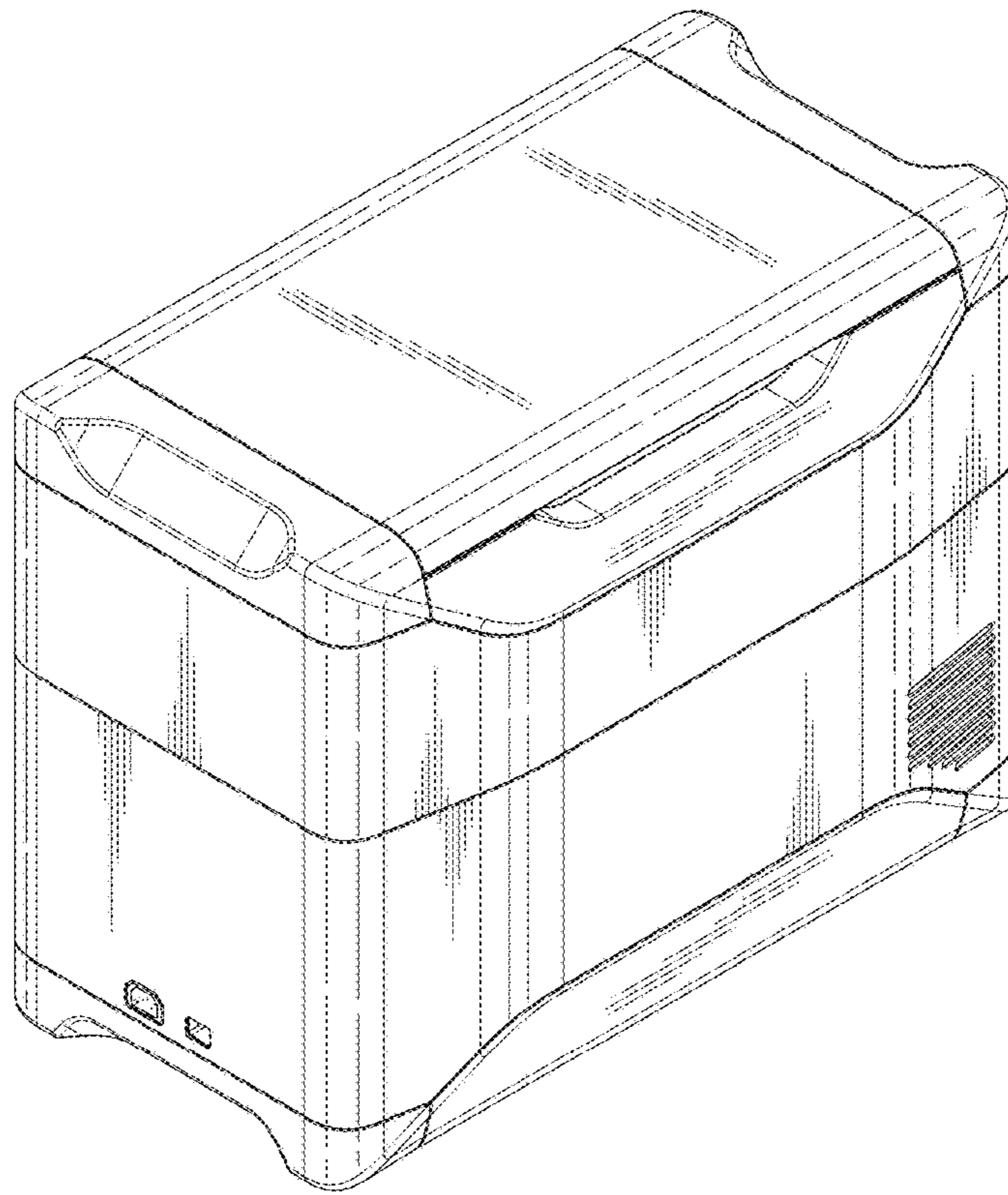


Fig. 13

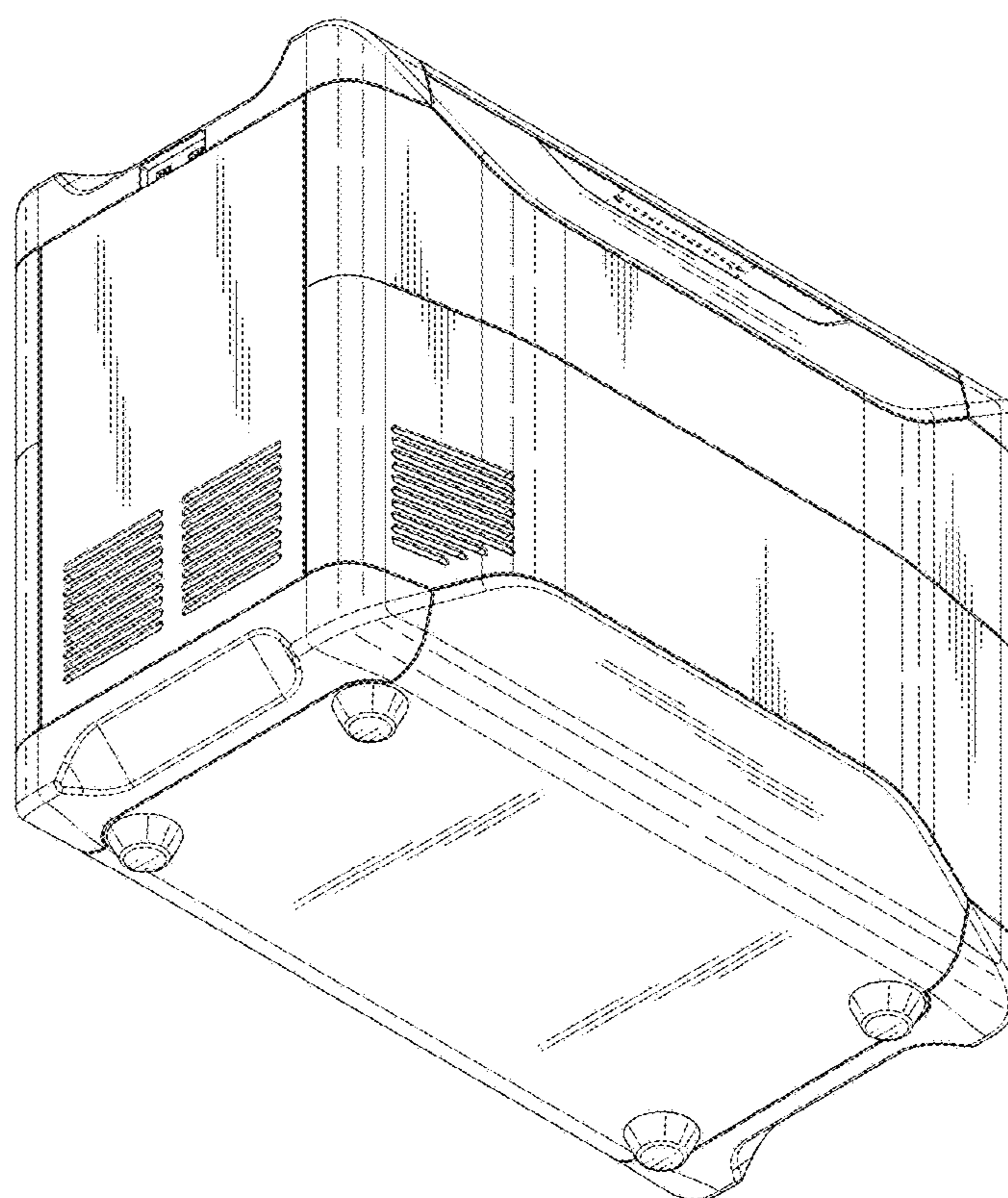


Fig. 14

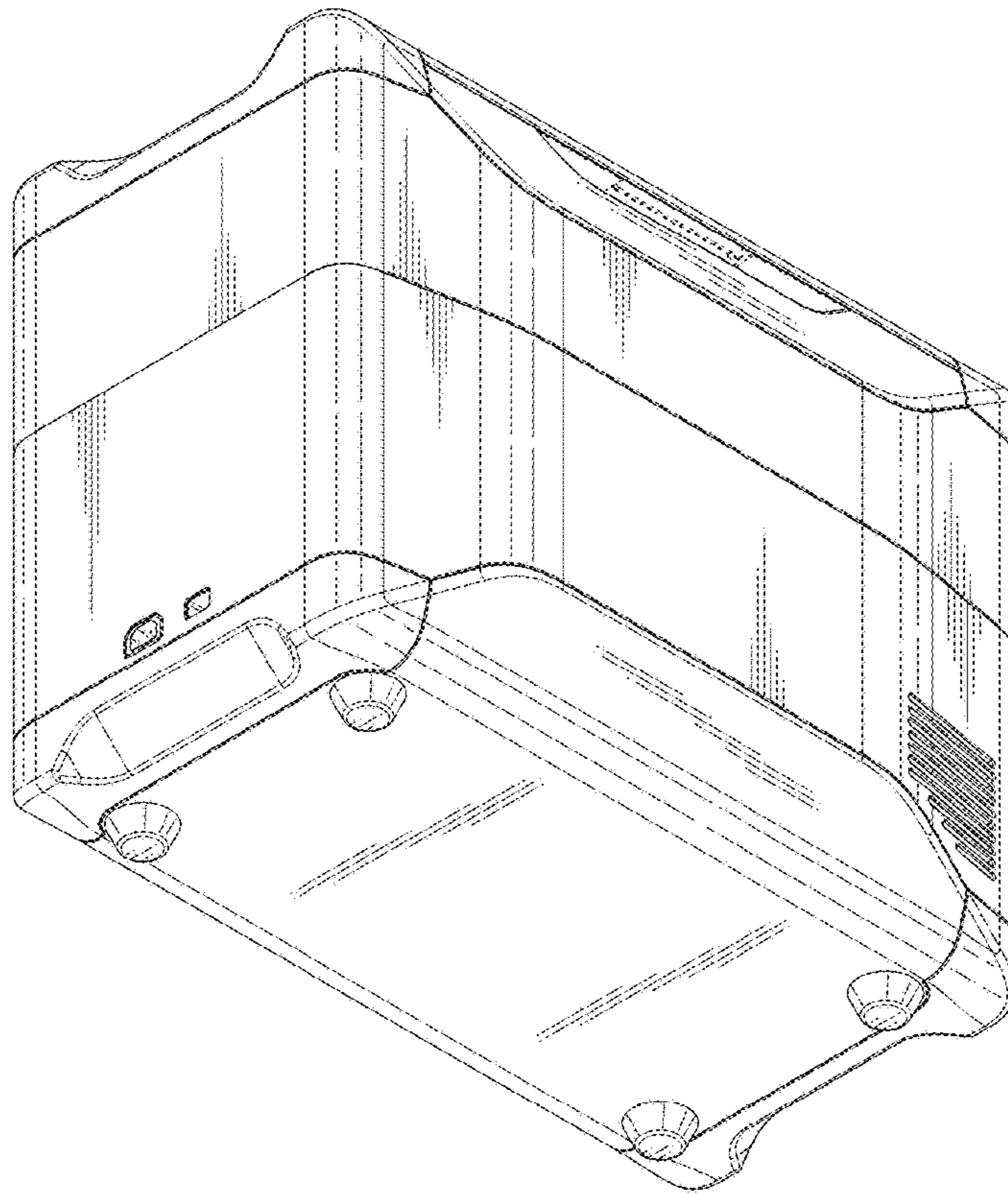


Fig. 15

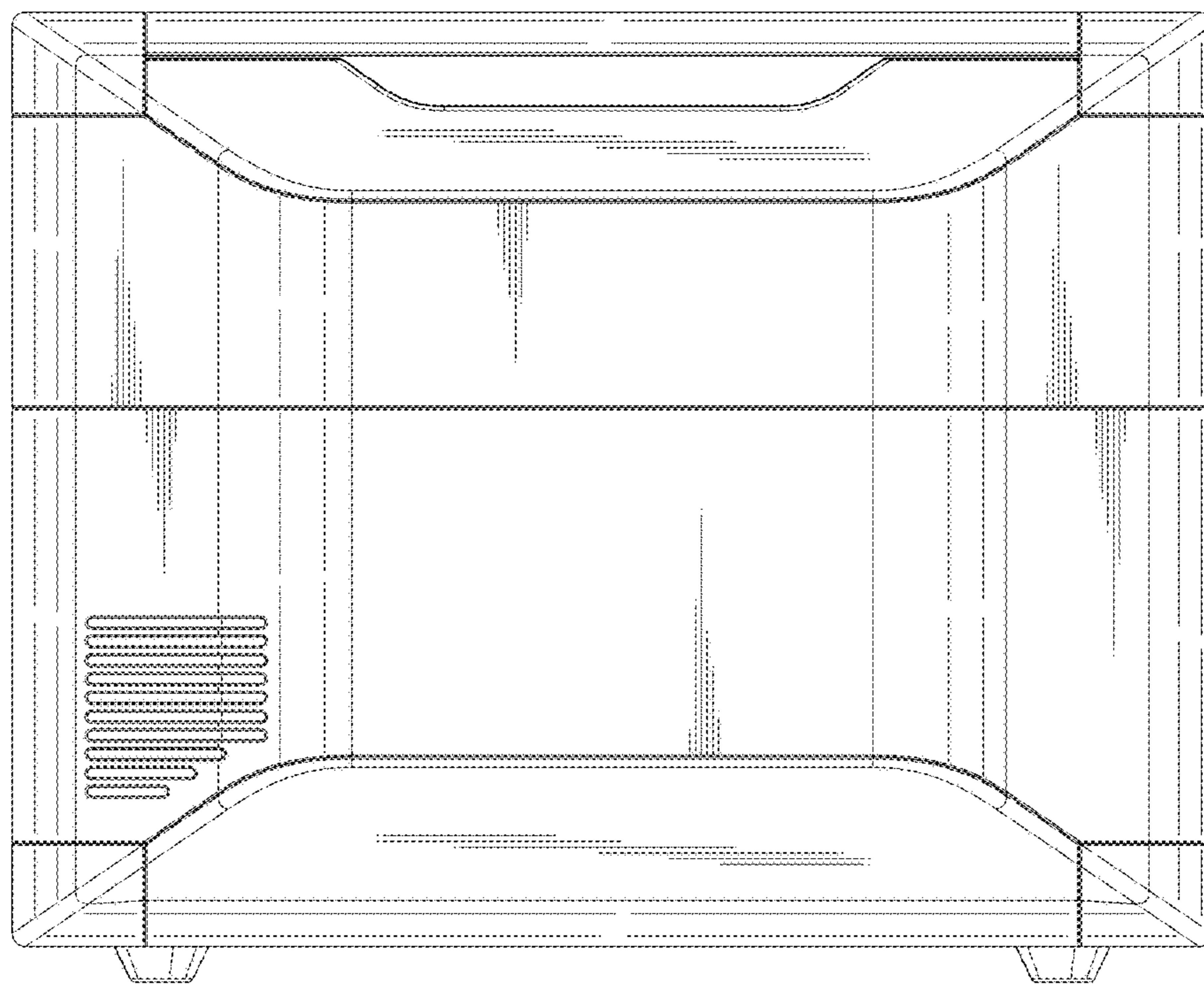


Fig. 16

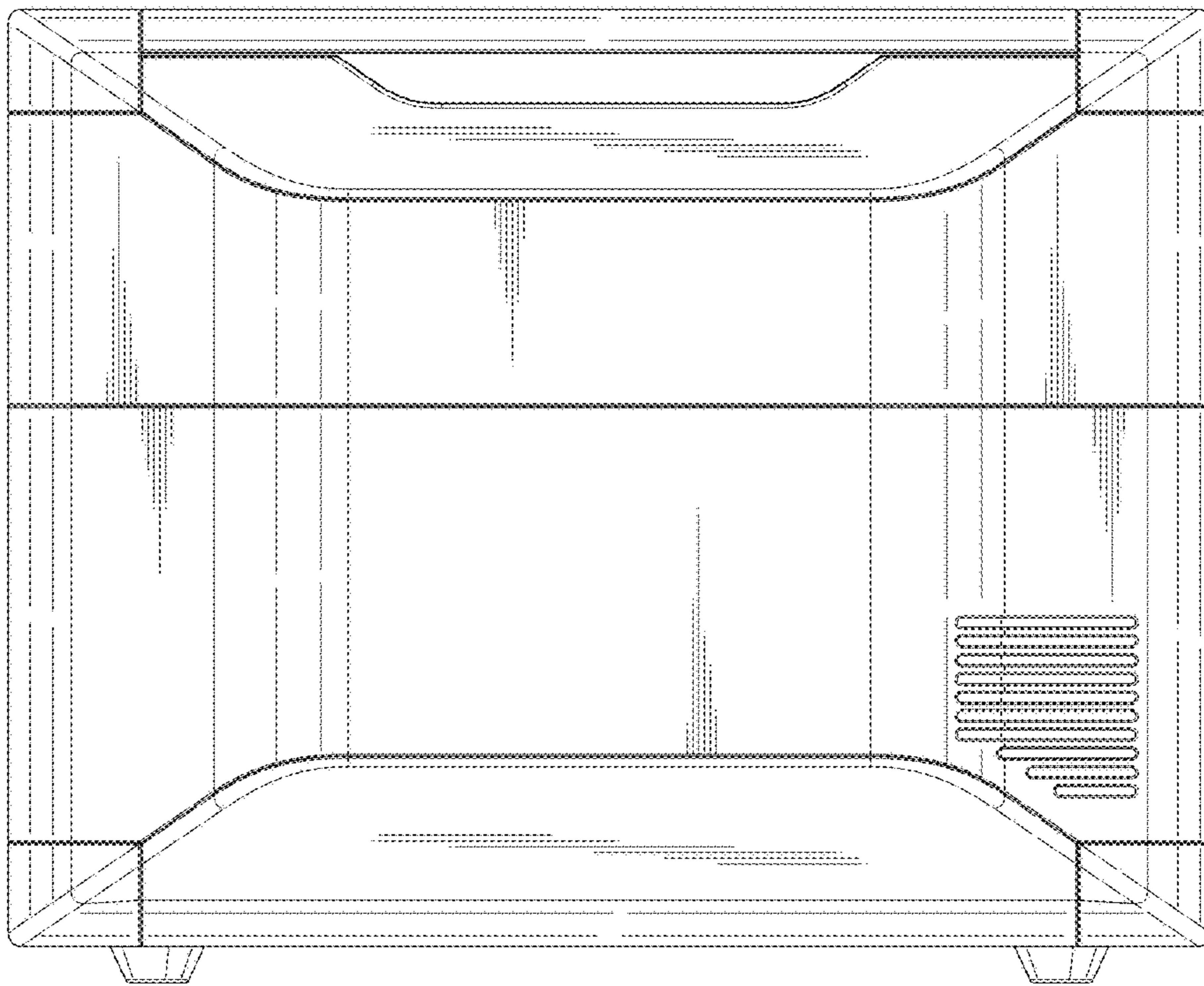


Fig. 17

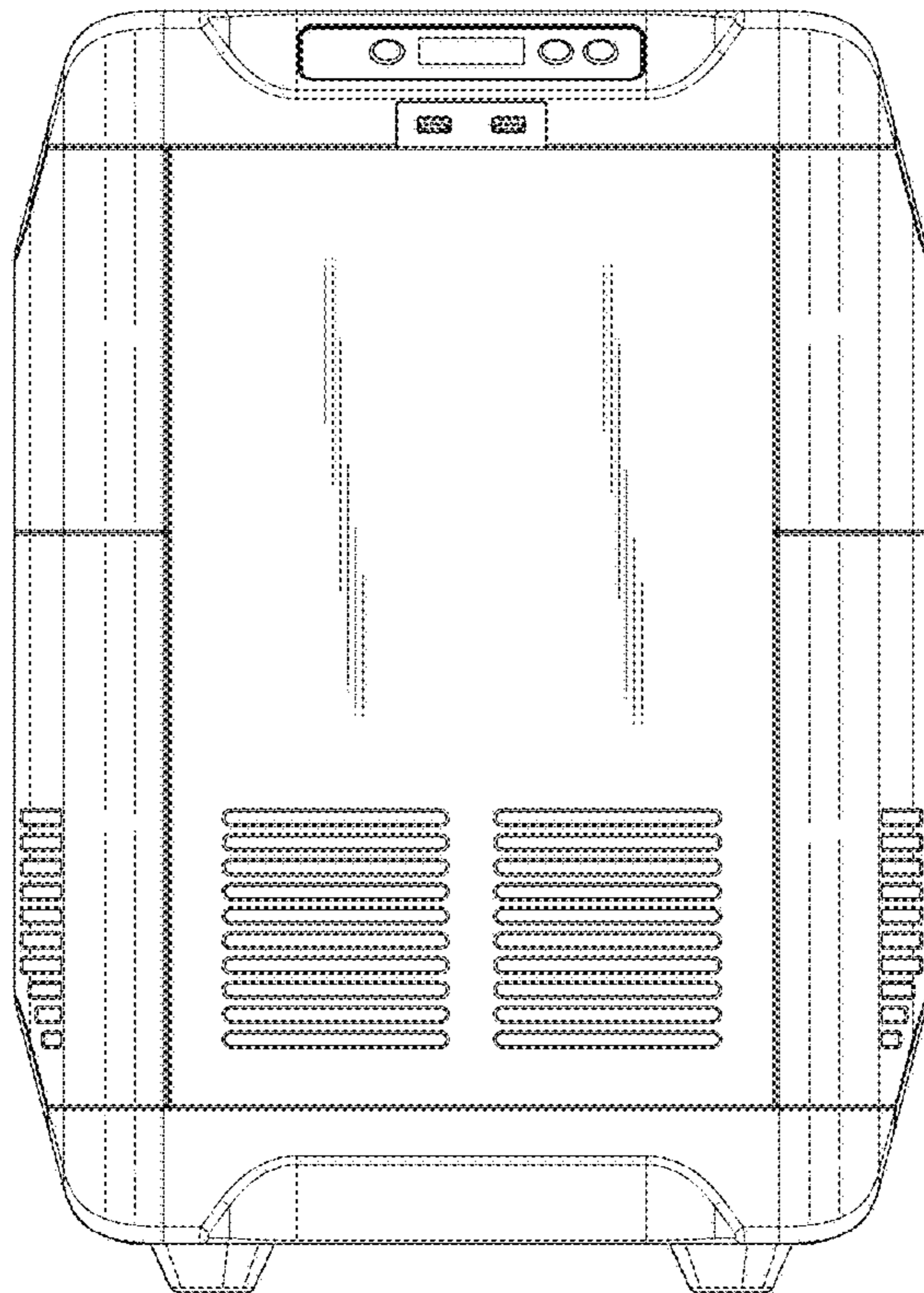


Fig. 18

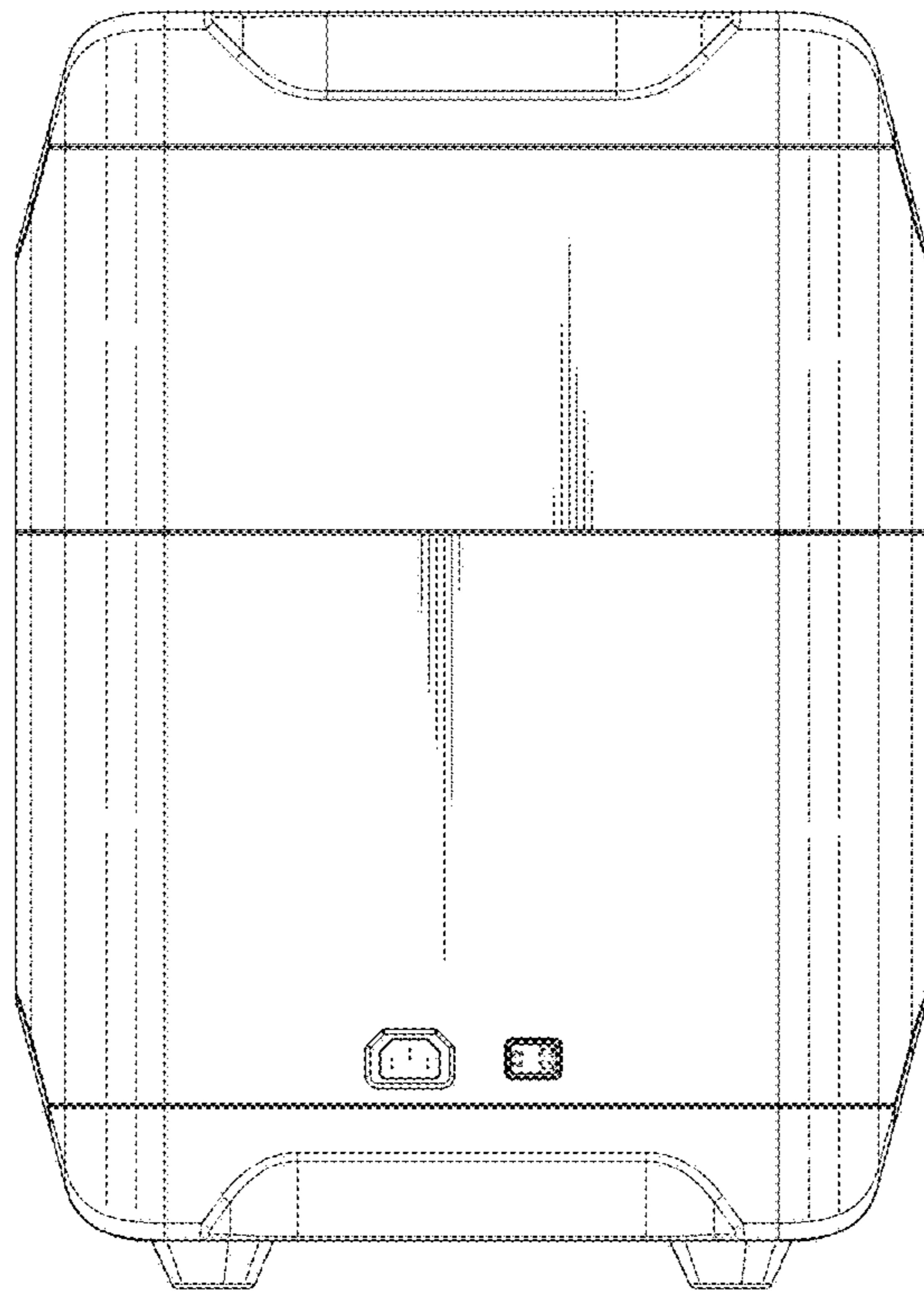


Fig. 19

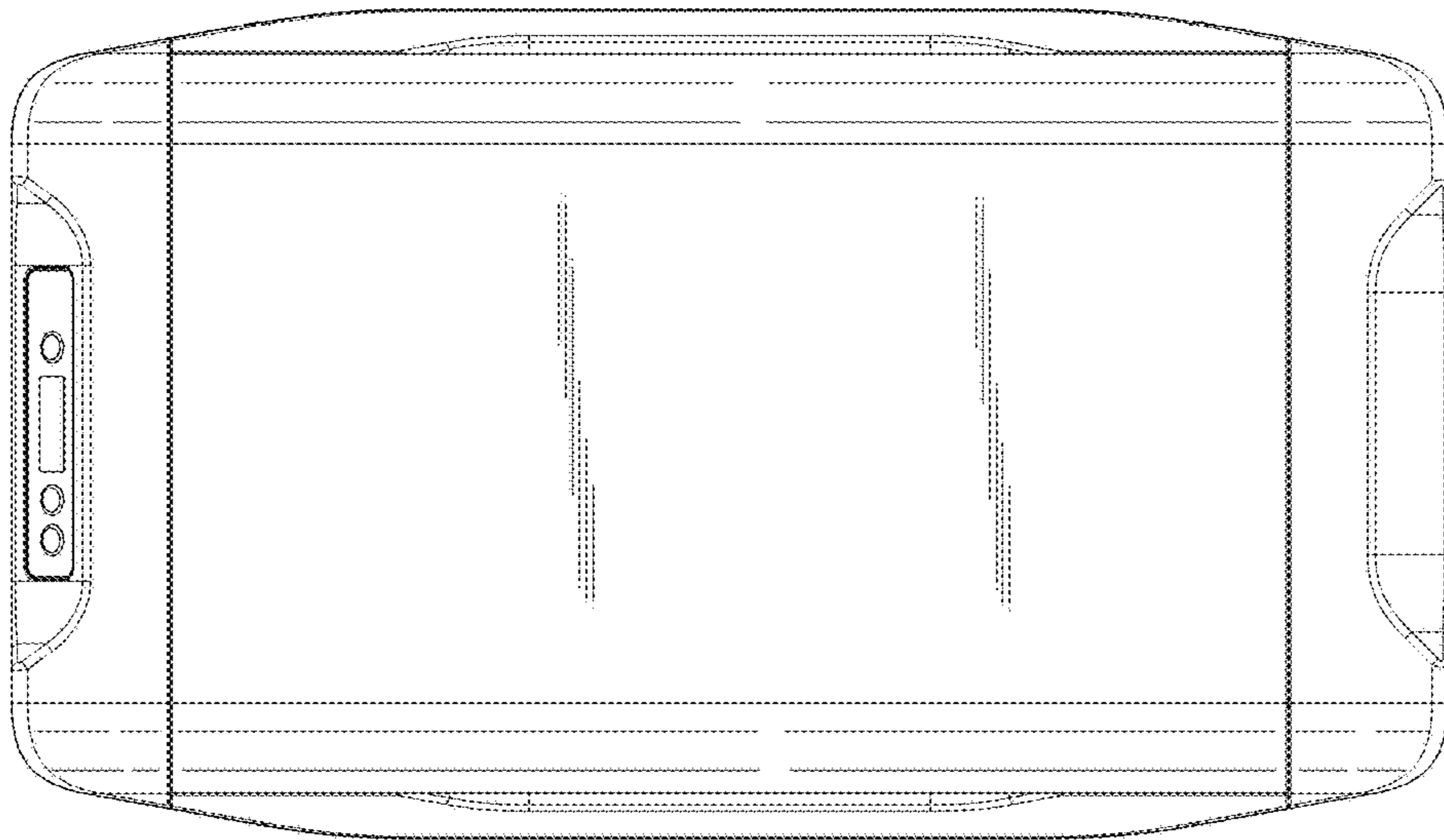


Fig. 20

