



US00D851136S

(12) **United States Design Patent** (10) **Patent No.:** **US D851,136 S**
Underhill et al. (45) **Date of Patent:** **** Jun. 11, 2019**

(54) **BONNET FOR A BACKHOE LOADER**
(71) Applicant: **J.C. BAMFORD EXCAVATORS LIMITED**, Utttoxeter (GB)
(72) Inventors: **Thomas Edward Underhill**, Rocester (GB); **Samuel John Jilbert**, Utttoxeter (GB)
(73) Assignee: **J.C. BAMFORD EXCAVATORS LIMITED**, Utttoxeter (GB)
(**) Term: **15 Years**
(21) Appl. No.: **29/581,312**
(22) Filed: **Oct. 18, 2016**

(56) **References Cited**
U.S. PATENT DOCUMENTS
D594,878 S * 6/2009 Post D15/5
D624,562 S * 9/2010 Neeley D15/17
D678,358 S * 3/2013 Hiraoka D15/28
D691,642 S * 10/2013 Fujiwara D15/15
D716,846 S * 11/2014 Carter D15/31
D728,640 S * 5/2015 Turner D15/31
(Continued)

Primary Examiner — Khawaja Anwar
(74) *Attorney, Agent, or Firm* — Marshall, Gerstein & Borun LLP

(57) **CLAIM**
The ornamental design for a bonnet for a backhoe loader, as shown and described.

DESCRIPTION

FIG. 1 is a front and right side perspective view of a bonnet for a backhoe loader, showing the new design.
FIG. 2 is a front elevation view of the bonnet for a backhoe loader.
FIG. 3 is a top plan view of the bonnet for a backhoe loader.
FIG. 4 is a left side elevation view of the bonnet for a backhoe loader.
FIG. 5 is a right side elevation view of the bonnet for a backhoe loader.
FIG. 6 is a bottom plan view of the bonnet for a backhoe loader.
FIG. 7 is a back elevation view of the bonnet for a backhoe loader.
FIG. 8 is a front and right side perspective view of the bonnet for a backhoe loader.
FIG. 9 is a back and left-side perspective view of the bonnet for a backhoe loader; and,
FIG. 10 is a back and right-side perspective view of the bonnet for a backhoe loader.
The broken lines show the boundaries of the claimed design, and depict elements of the bonnet for a backhoe loader that form no part of the claimed design.

Related U.S. Application Data

(62) Division of application No. 29/539,063, filed on Sep. 10, 2015, now Pat. No. Des. 789,426.

Foreign Application Priority Data

Mar. 10, 2015 (EM) 001431910

(51) **LOC (11) Cl.** **15-03**

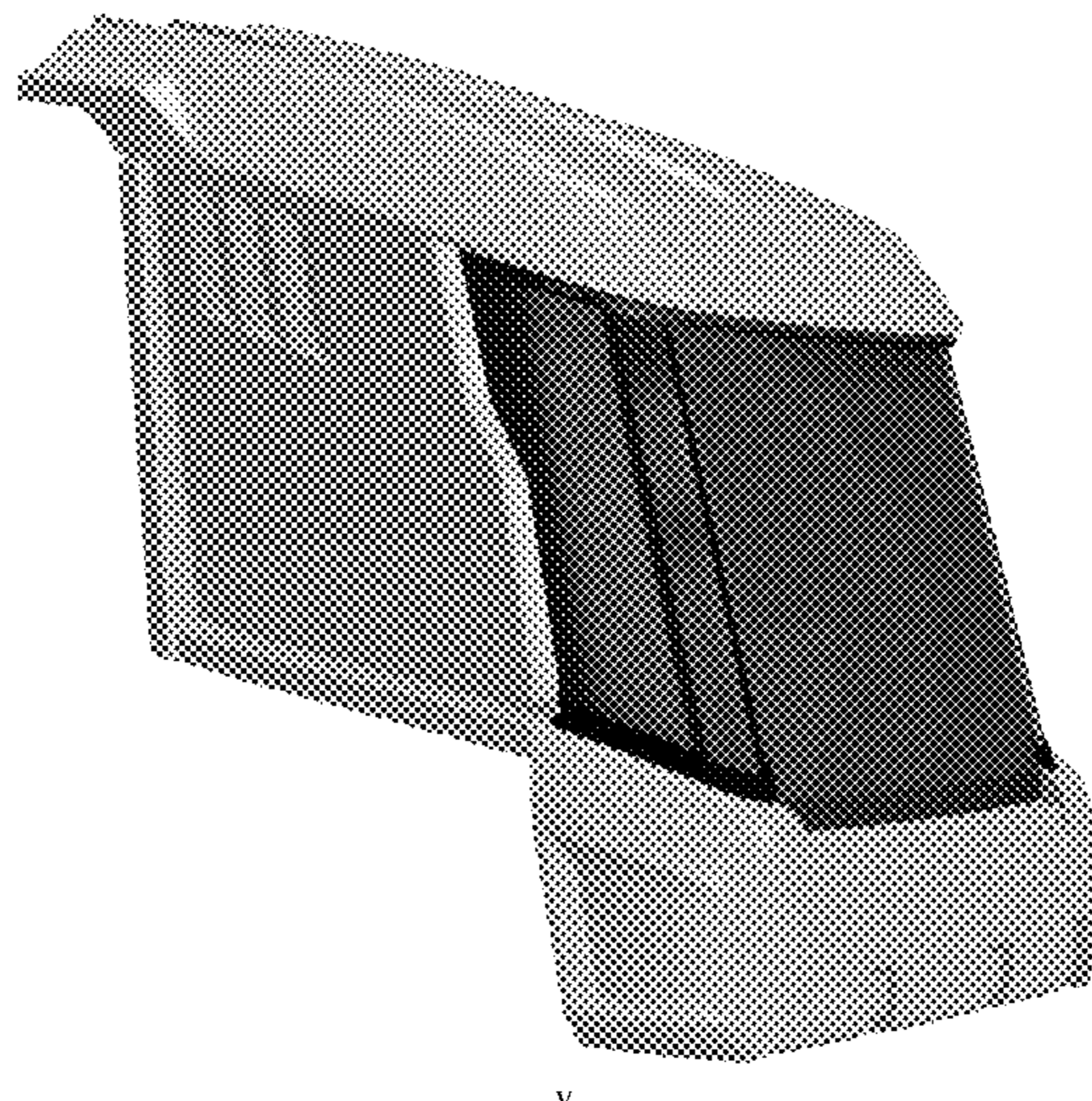
(52) **U.S. Cl.**
USPC **D15/31**

(58) **Field of Classification Search**

USPC D15/10, 15, 22–26, 28, 30–31, 199
CPC E02F 9/0833; E02F 3/325; E02F 9/166;
E02F 9/0866; E02F 9/0891; E02F 9/2004;
E02F 9/0858; E02F 9/163; E02F 3/30;
E02F 9/00; E02F 9/08; E02F 9/0875;
E02F 9/2267; E02F 9/2275; E02F 3/301;
E02F 9/121; E02F 3/307; E02F 9/16;
E02F 3/964; E02F 9/0841; E02F 9/0883;
E02F 9/24

See application file for complete search history.

1 Claim, 10 Drawing Sheets



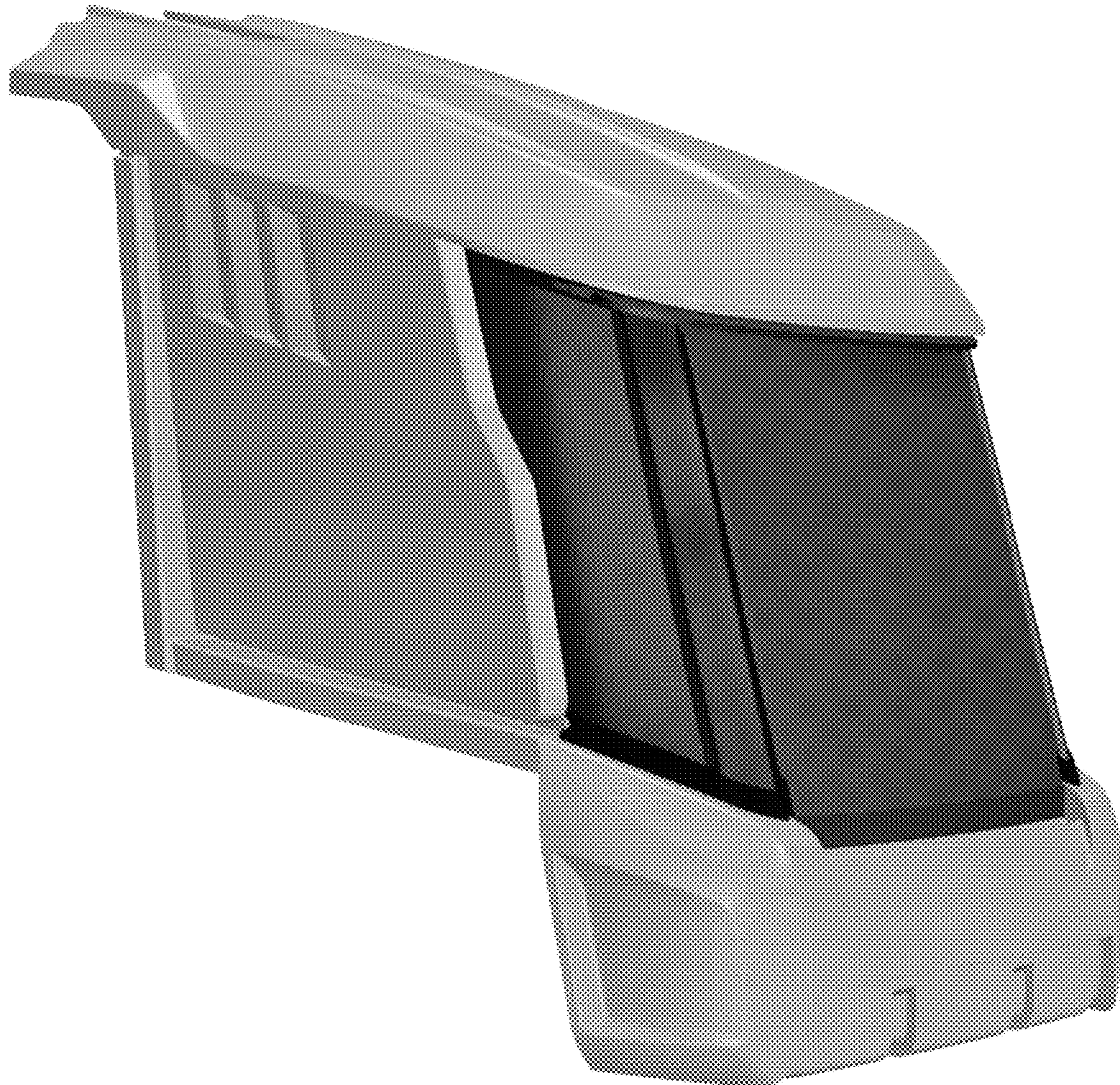
(56)

References Cited

U.S. PATENT DOCUMENTS

D729,280	S	*	5/2015	Naslund	D15/14
D755,254	S	*	5/2016	Ewringmann	D15/28
D760,815	S	*	7/2016	Okuyama	D15/31
D774,113	S	*	12/2016	Underhill	D15/31
D789,426	S	*	6/2017	Underhill	D15/31
D799,562	S	*	10/2017	Okuyama	D15/31

* cited by examiner



v

Fig. 1

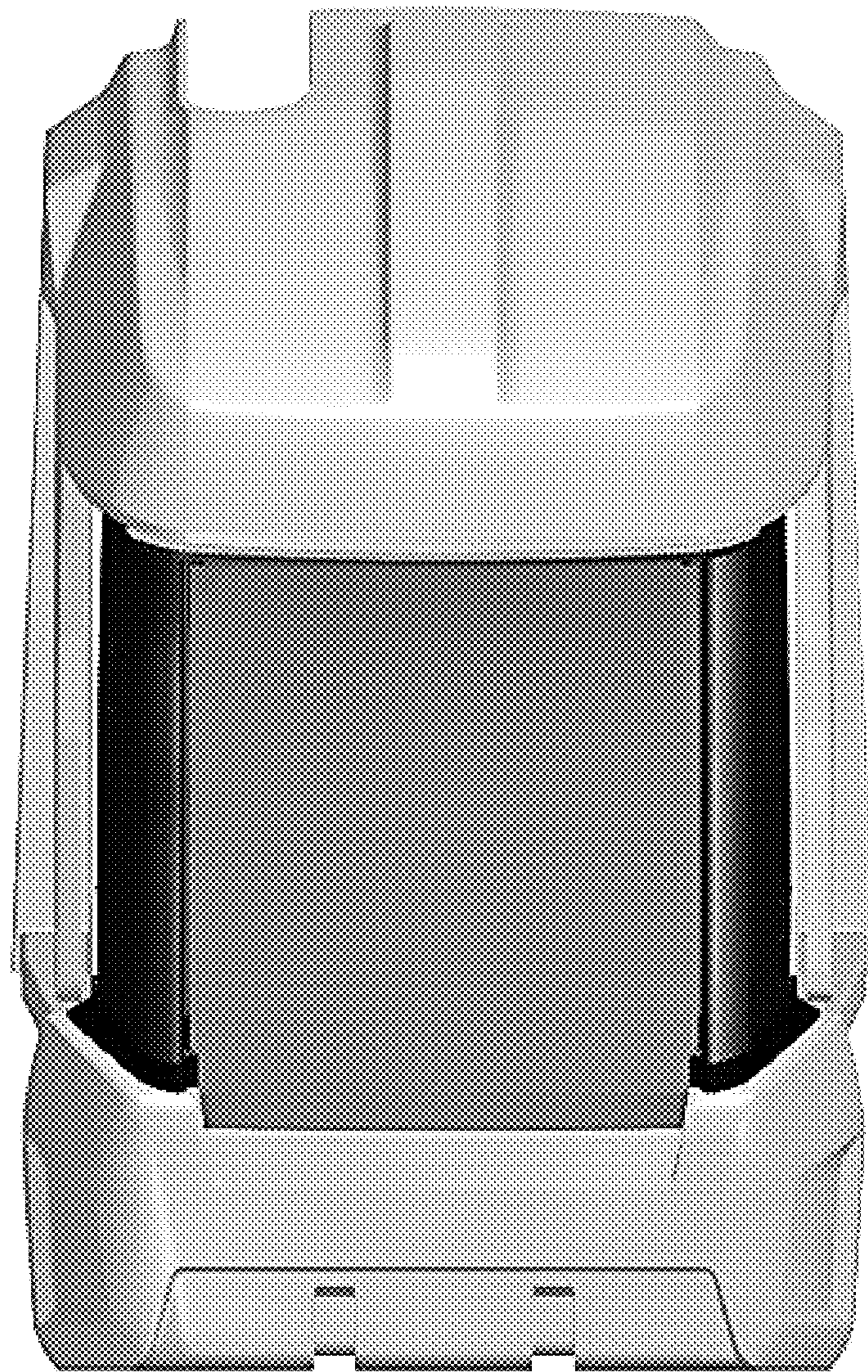


Fig. 2



Fig. 3

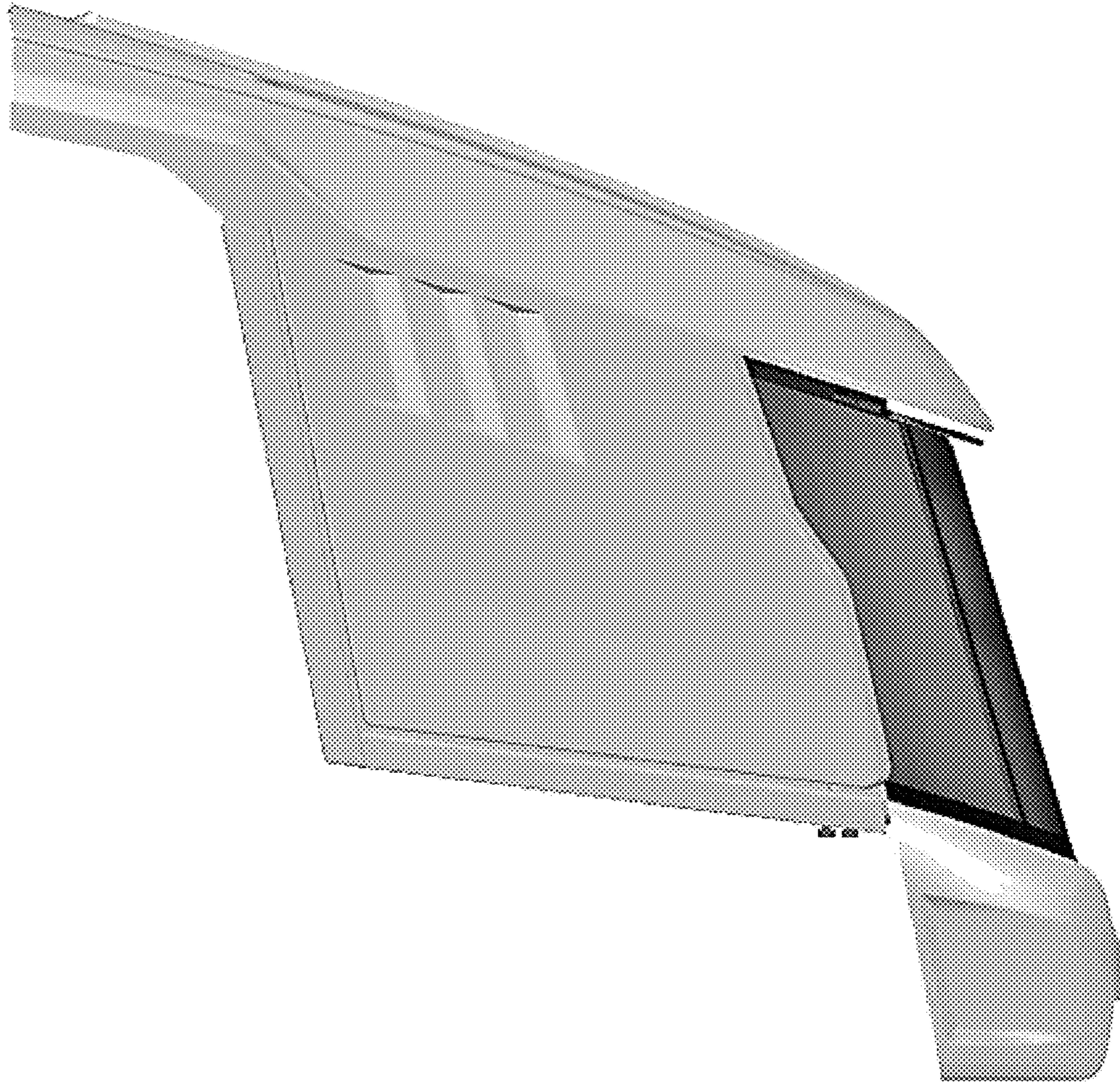


Fig. 4

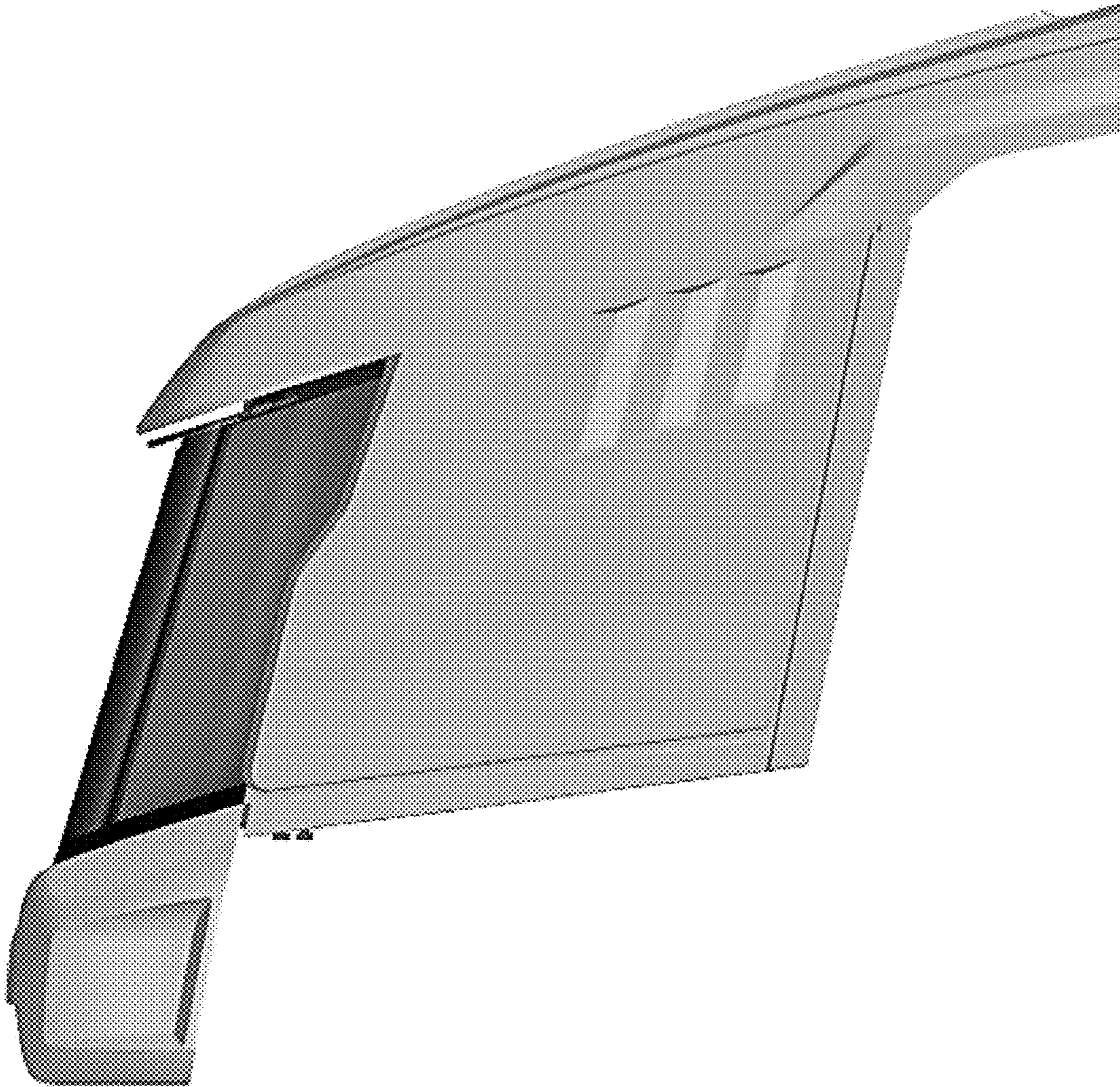


Fig. 5

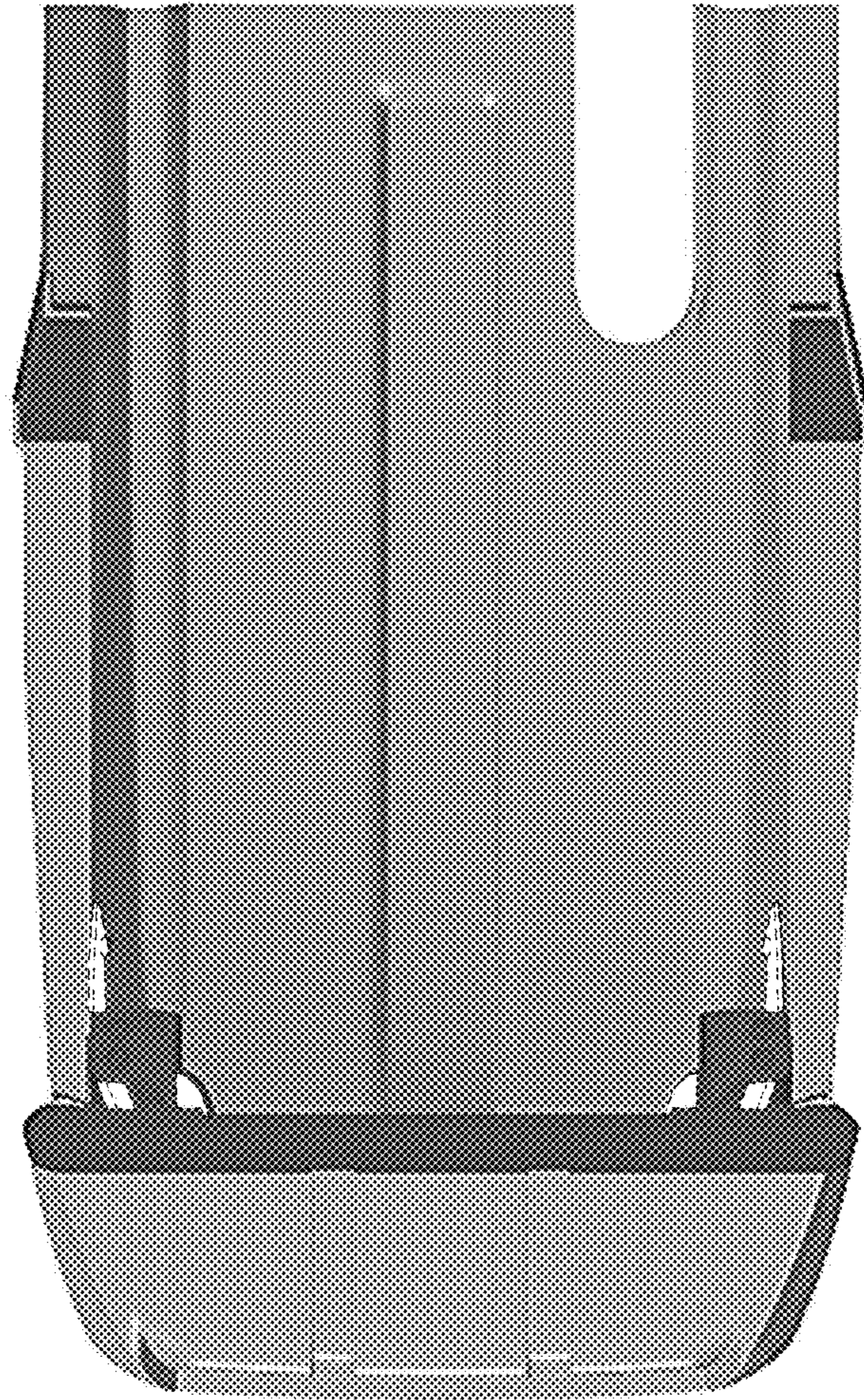


Fig. 6

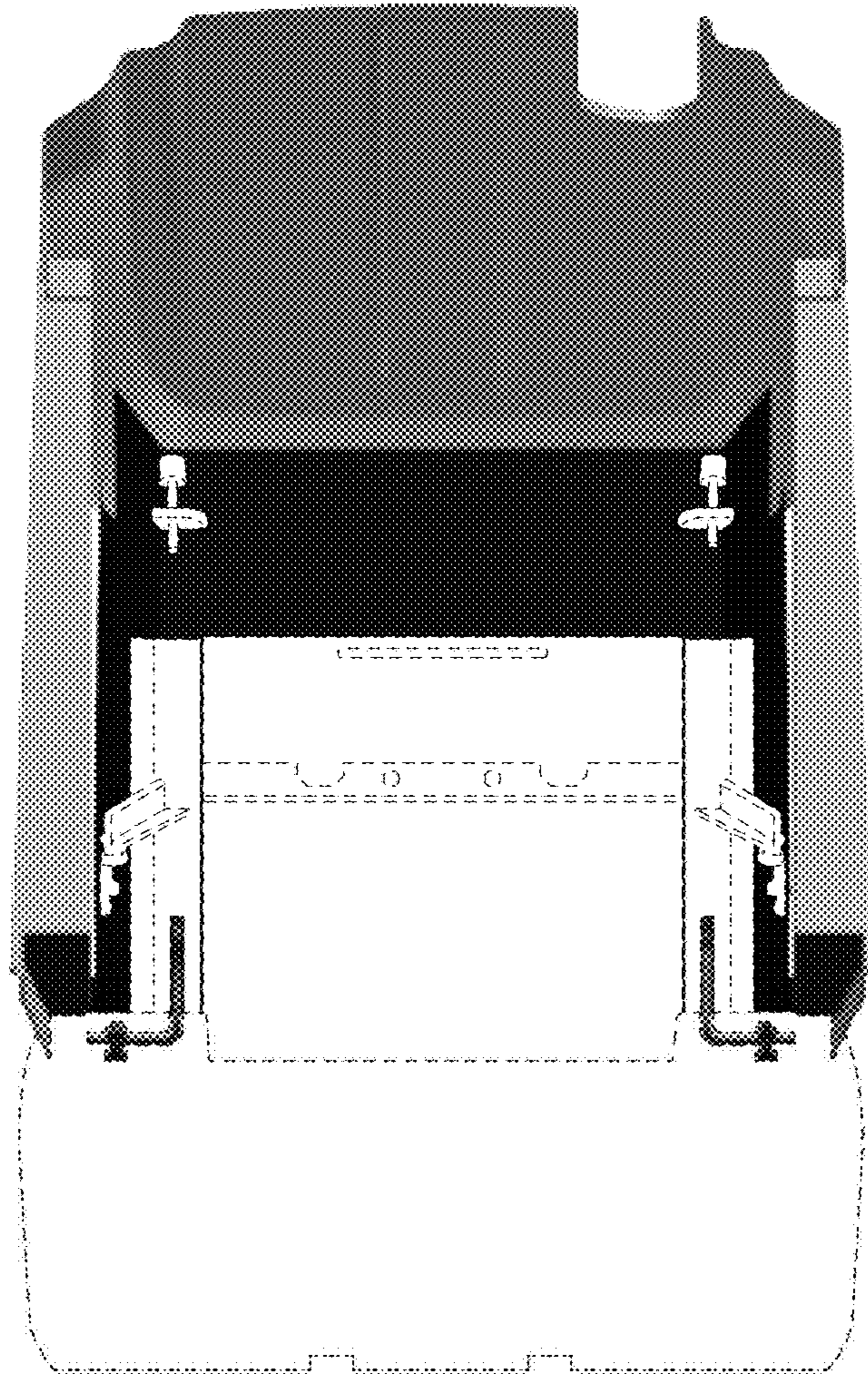


Fig. 7

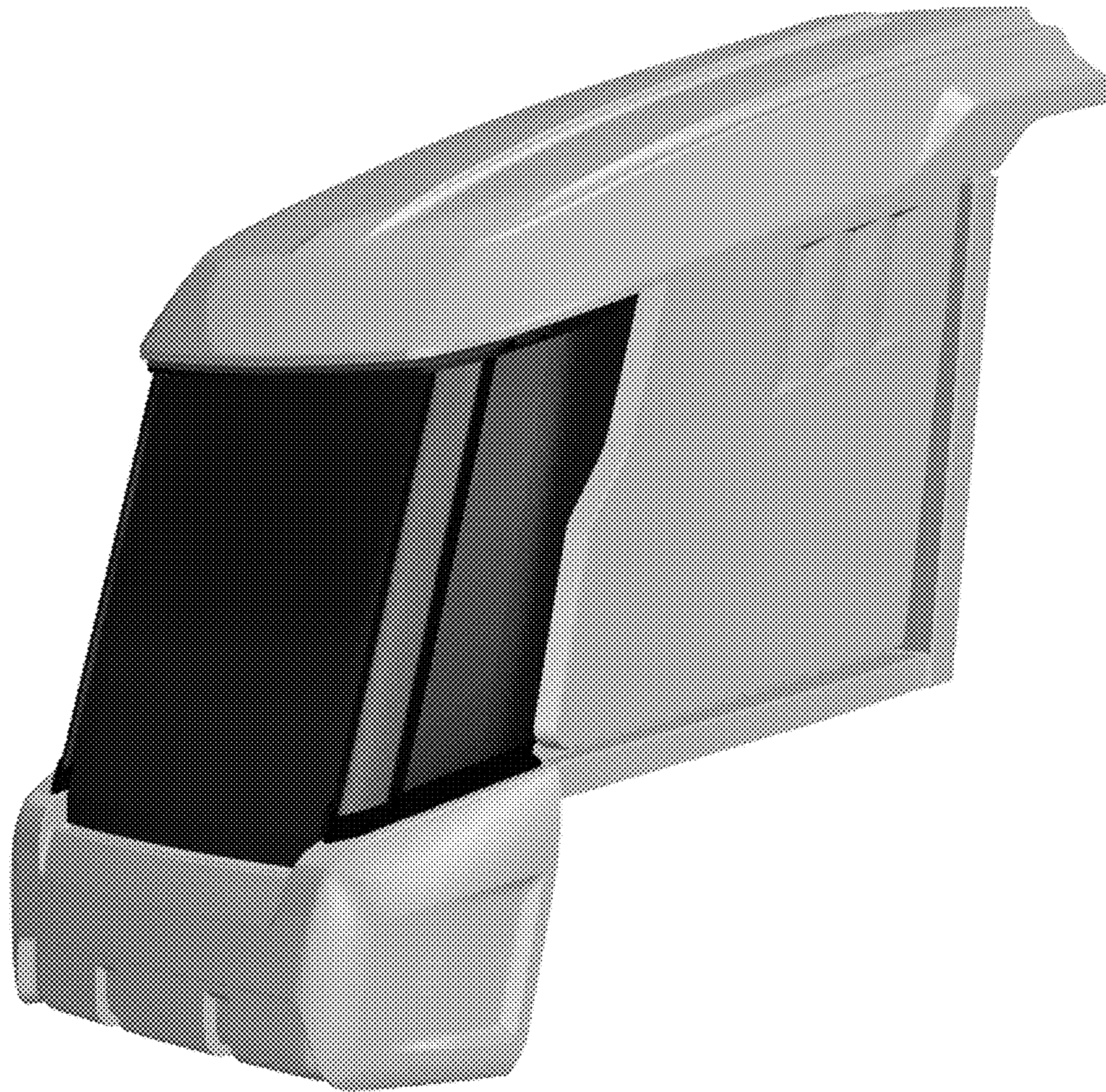


Fig. 8

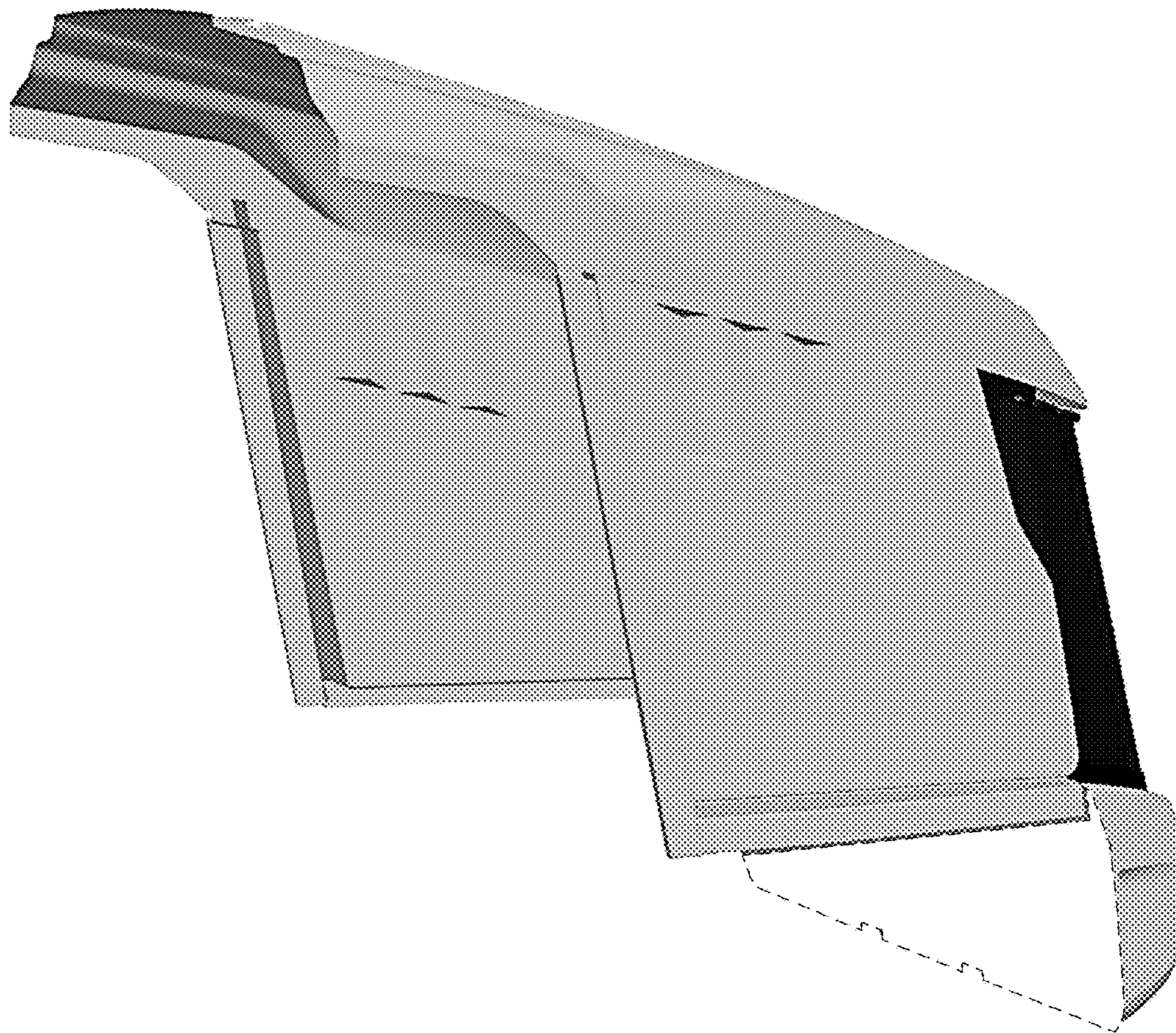


Fig. 9

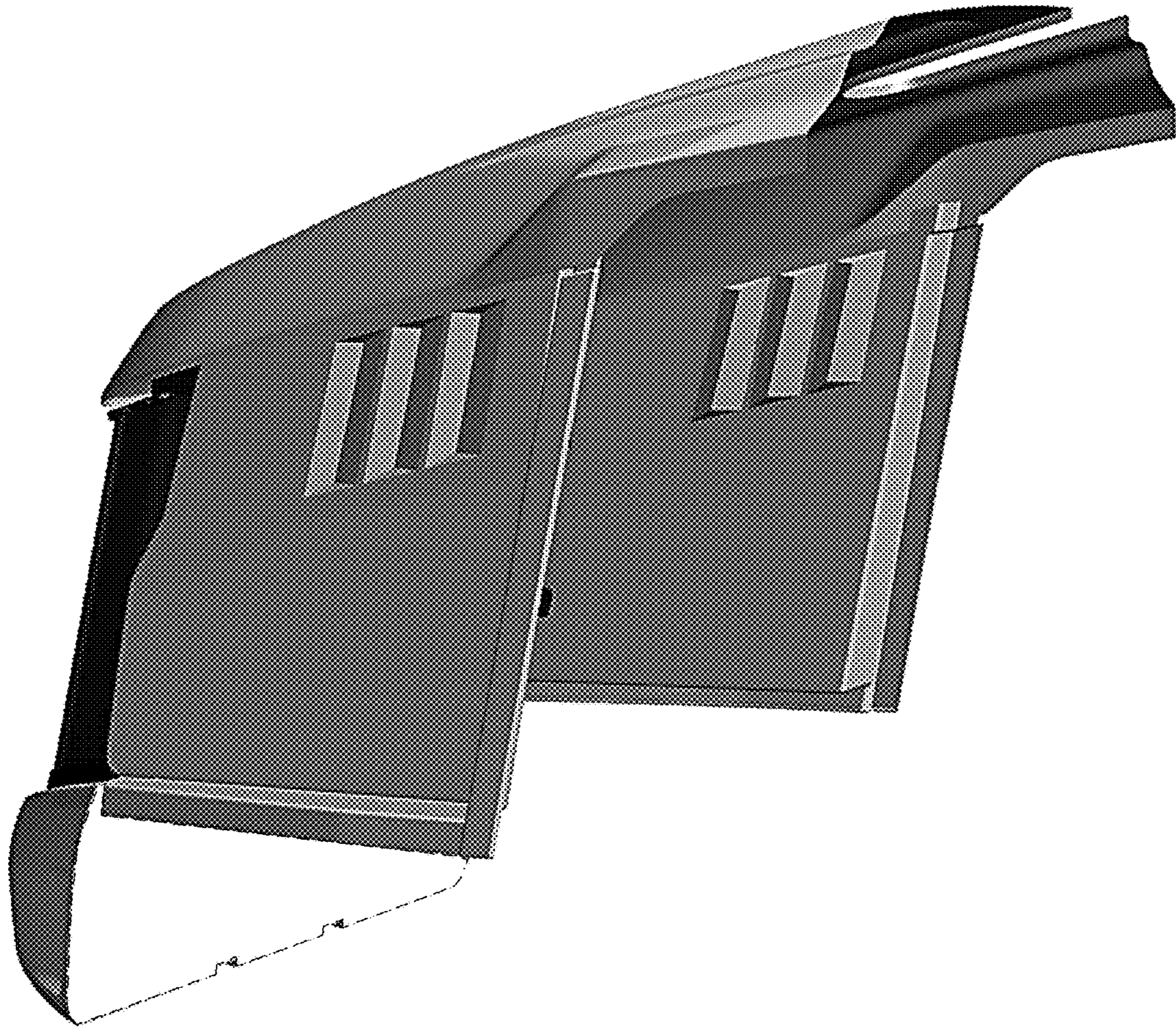


Fig. 10