



US00D851134S

(12) **United States Design Patent** (10) **Patent No.:** **US D851,134 S**  
**Jilbert et al.** (45) **Date of Patent:** **\*\* Jun. 11, 2019**

(54) **EXCAVATOR**

(71) Applicant: **J.C. BAMFORD EXCAVATORS LIMITED**, Uttoxeter (GB)

(72) Inventors: **Samuel John Jilbert**, Uttoxeter (GB); **Thomas Edward Underhill**, Rocester (GB); **Samuel Payne**, Uttoxeter (GB)

(73) Assignee: **J.C. BAMFORD EXCAVATORS LIMITED**, Uttoxeter (GB)

(\*\*) Term: **15 Years**

(21) Appl. No.: **29/613,500**

(22) Filed: **Aug. 10, 2017**

**Related U.S. Application Data**

(63) Continuation-in-part of application No. 29/613,339, filed on Aug. 9, 2017, which is a continuation of application No. 29/541,917, filed on Oct. 9, 2015, now abandoned, and a continuation of application No. 29/541,930, filed on Oct. 9, 2015, now abandoned, and application No. 29/613,500, which is a continuation-in-part of application No. 29/613,343, filed on Aug. 9, 2017, which is a continuation of application No. 29/541,917, filed on Oct. 9, 2015, now abandoned, and a continuation of application No. 29/541,930, filed on Oct. 9, 2015, now abandoned, and a continuation of application No. 29/541,934, filed on Oct. 9, 2015, now abandoned, and a continuation-in-part of application No. 29/541,928, filed on Oct. 9, 2015, now abandoned, and a

(Continued)

(30) **Foreign Application Priority Data**

Apr. 10, 2015 (EM) ..... 001433304

(51) **LOC (11) Cl.** ..... **15-03**

(52) **U.S. Cl.**  
USPC ..... **D15/25**

(58) **Field of Classification Search**

USPC ..... D15/10, 11, 12, 23, 25, 28, 30, 32, 33, D15/199

CPC ..... E02F 9/2004; E02F 9/207; E02F 9/2091; E02F 9/2246; E02F 9/2292; E02F 3/32; E02F 3/325; E02F 3/352; E02F 3/384; E02F 3/425; E02F 3/437; E02F 3/627; E02F 3/964; E02F 9/006; E02F 9/0808; E02F 9/0833; E02F 9/0858; E02F 9/0875; E02F 9/2045

See application file for complete search history.

(56) **References Cited**

U.S. PATENT DOCUMENTS

D431,575 S \* 10/2000 Park ..... D15/25  
D529,932 S \* 10/2006 Yamashita ..... D15/25

(Continued)

*Primary Examiner* — Khawaja Anwar

(74) *Attorney, Agent, or Firm* — Marshall, Gerstein & Borun LLP

(57) **CLAIM**

The ornamental design for an excavator, as shown and described.

**DESCRIPTION**

FIG. 1 is a front, right-side, and top view of an excavator, showing the new design.

FIG. 2 is a front elevation view of the excavator.

FIG. 3 is a top plan view.

FIG. 4 is a rear elevation view.

FIG. 5 is a right-side elevation view.

FIG. 6 is a left-side elevation view.

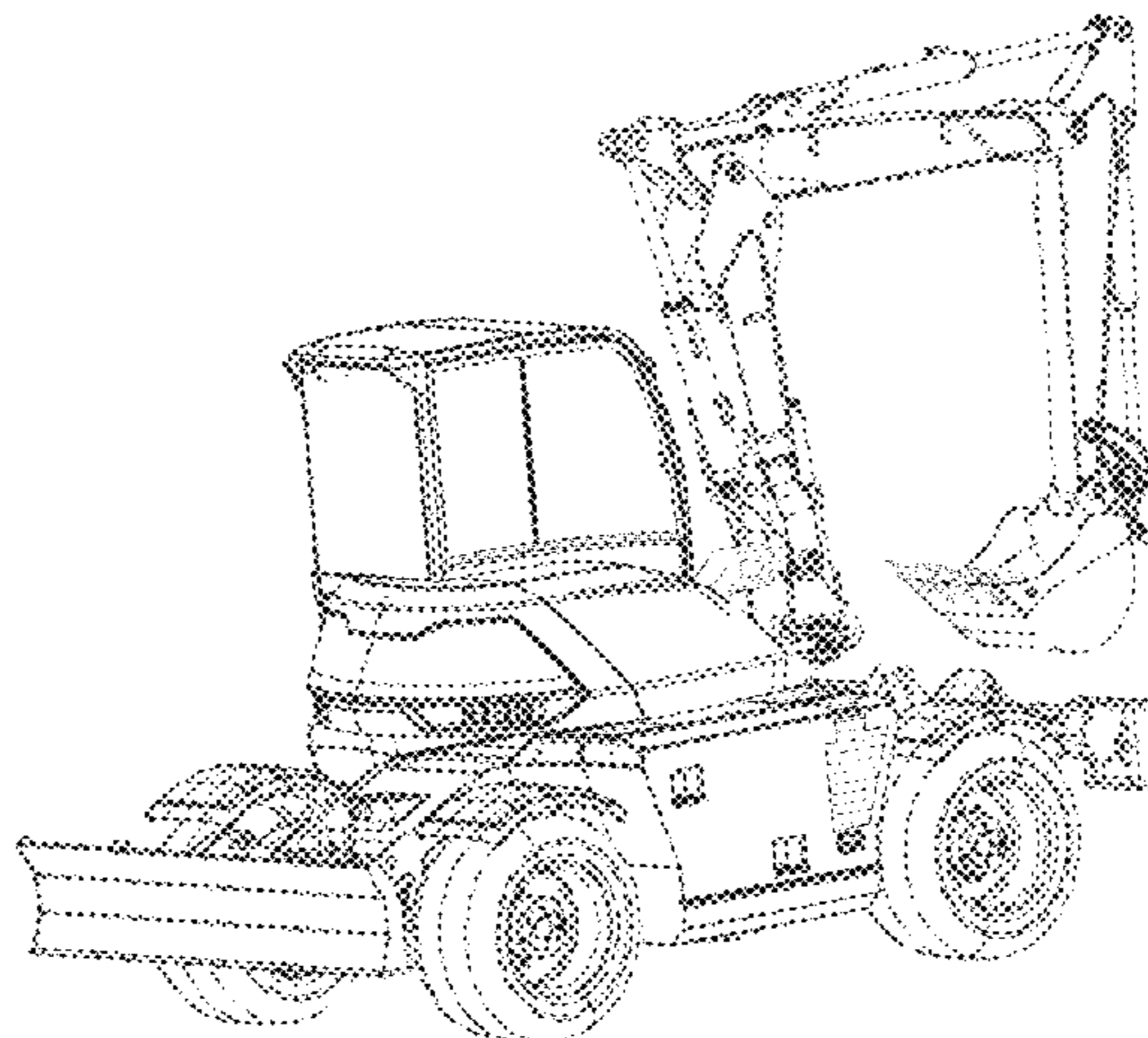
FIG. 7 is a front, right-side, and top view.

FIG. 8 is a rear, right-side, and top view; and,

FIG. 9 is a second rear, right-side, and top view.

The broken lines represent elements of the excavator that form no part of the claimed design.

**1 Claim, 8 Drawing Sheets**



**Related U.S. Application Data**

continuation-in-part of application No. 29/541,920, filed on Oct. 9, 2015, now abandoned, and a continuation-in-part of application No. 29/541,926, filed on Oct. 9, 2015, now Pat. No. Des. 835,160, and a continuation-in-part of application No. 29/541,919, filed on Oct. 9, 2015, now abandoned, and a continuation-in-part of application No. 29/541,915, filed on Oct. 9, 2015, now abandoned.

(56)

**References Cited**

U.S. PATENT DOCUMENTS

D540,352	S	*	4/2007	Sato	.....	D15/25
D540,828	S	*	4/2007	Johnson	.....	D15/25
D540,829	S	*	4/2007	Johnson	.....	D15/25
D549,738	S	*	8/2007	Hiraoka	.....	D15/25
D590,846	S	*	4/2009	Kinsinger	.....	D15/22
D628,599	S	*	12/2010	Major	.....	D15/23
D629,017	S	*	12/2010	Major	.....	D15/23
D682,890	S	*	5/2013	Iwata	.....	D15/25
D693,853	S	*	11/2013	Hiraoka	.....	D15/23
D705,273	S	*	5/2014	Furuki	.....	D15/25
D758,457	S	*	6/2016	Okuyama	.....	D15/23

\* cited by examiner

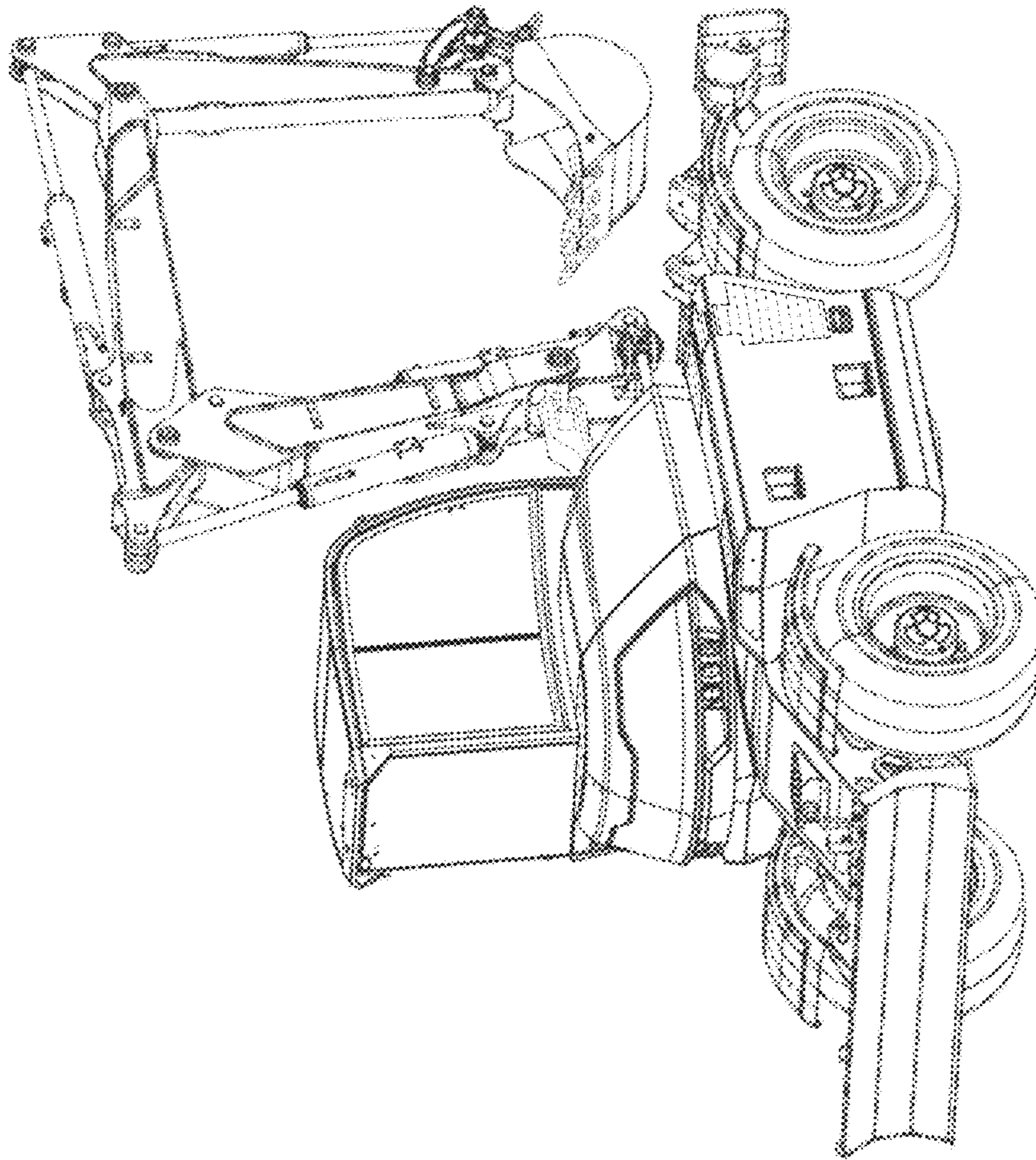


Fig. 1

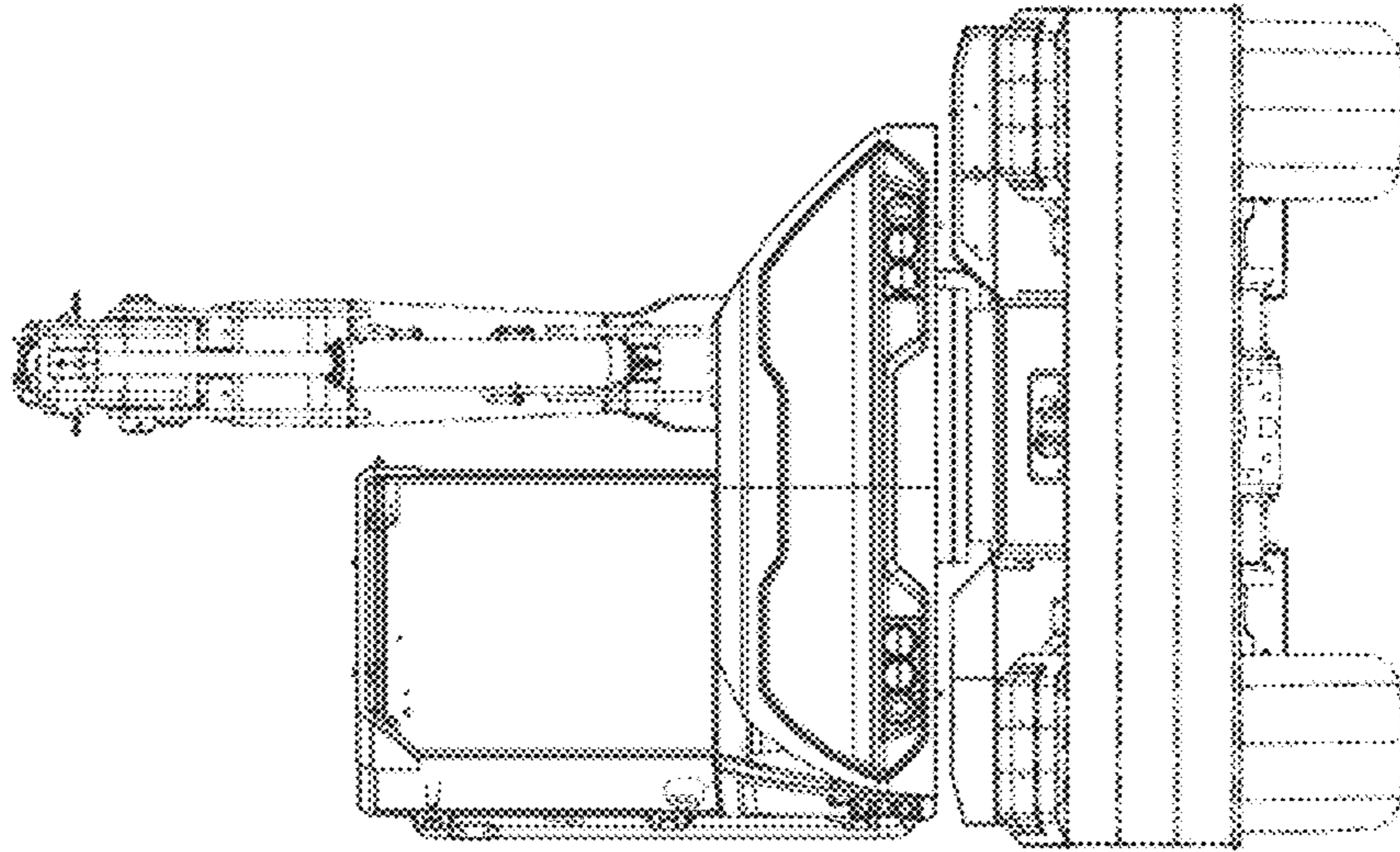


Fig. 3

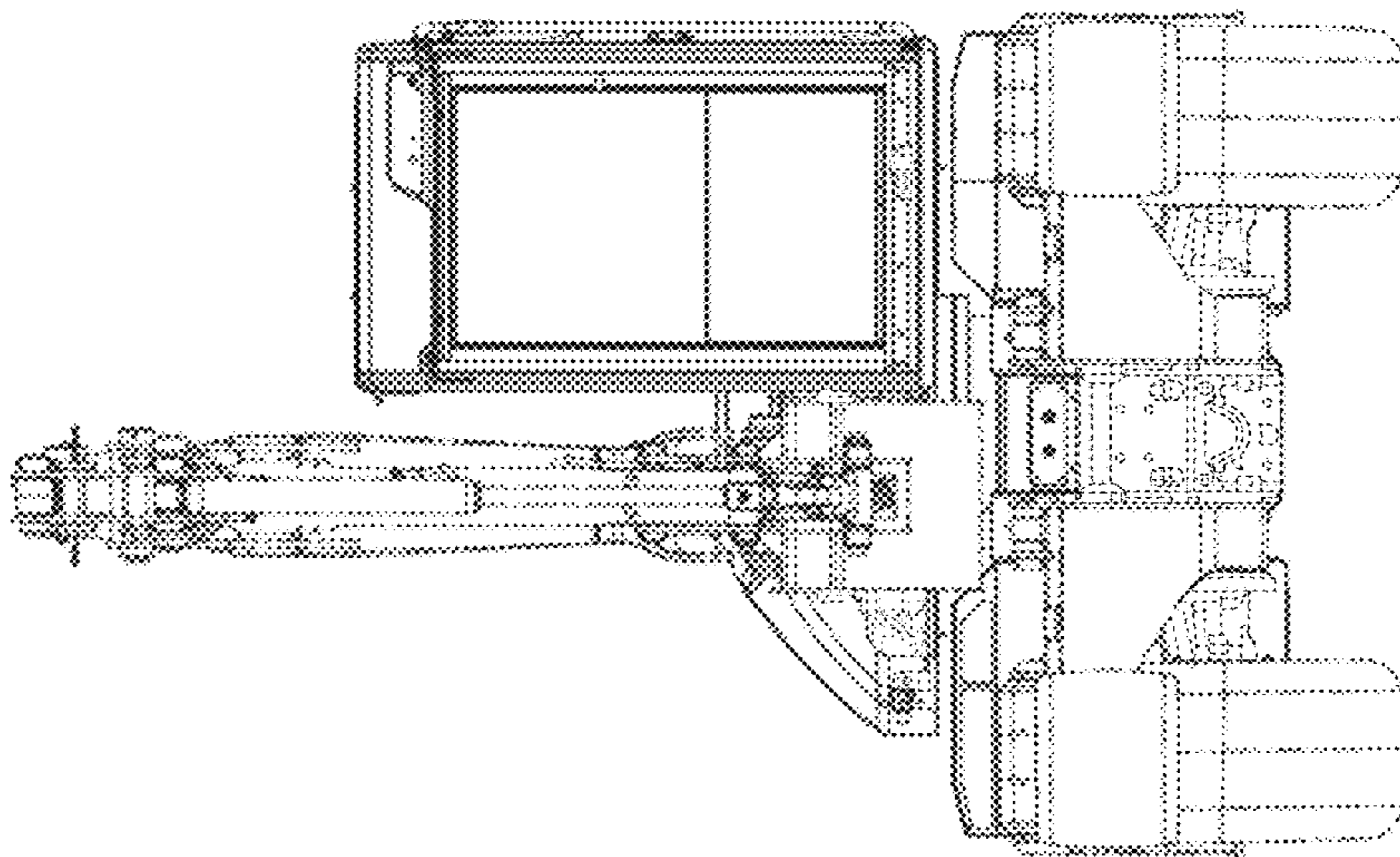


Fig. 2

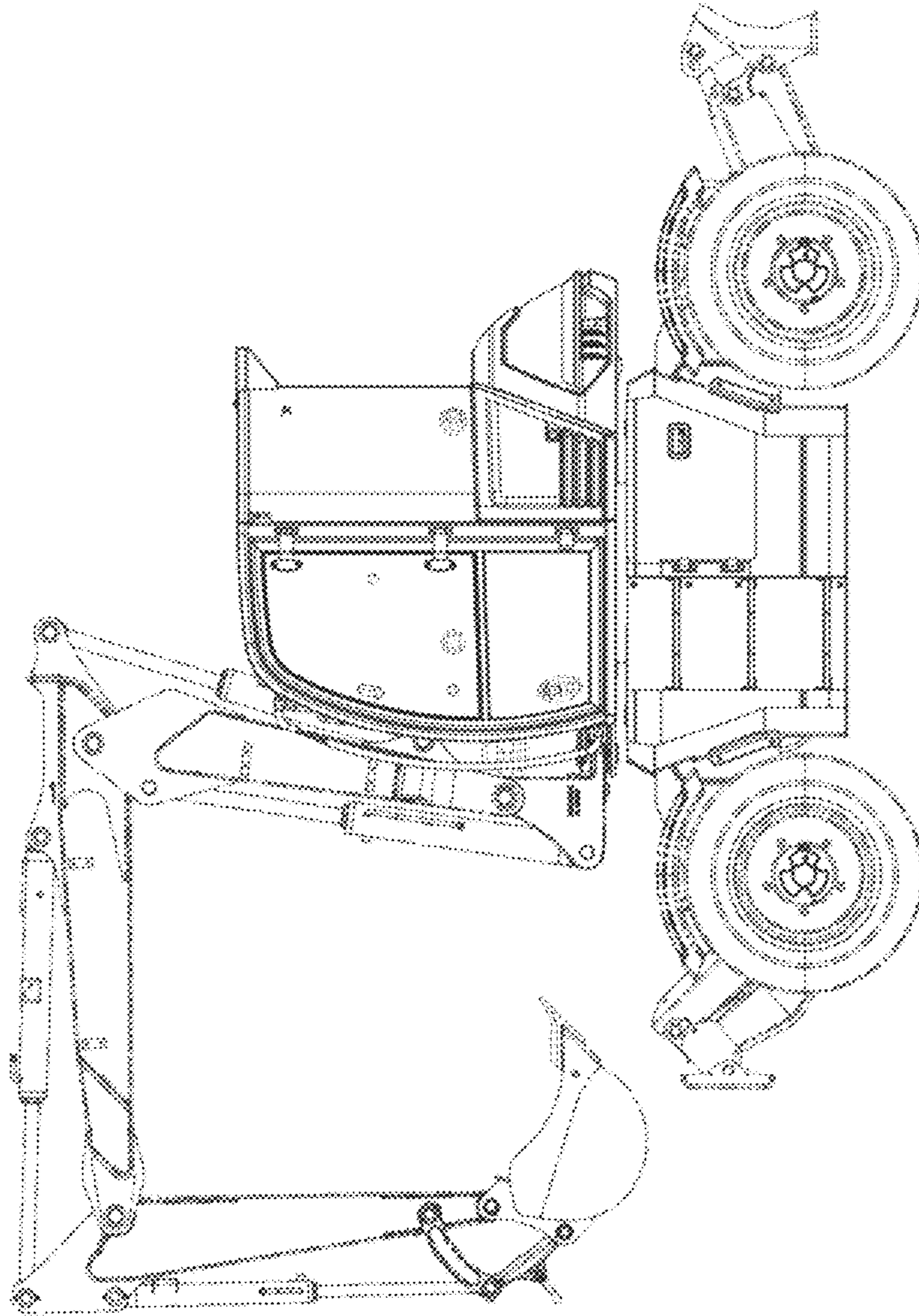


Fig. 4

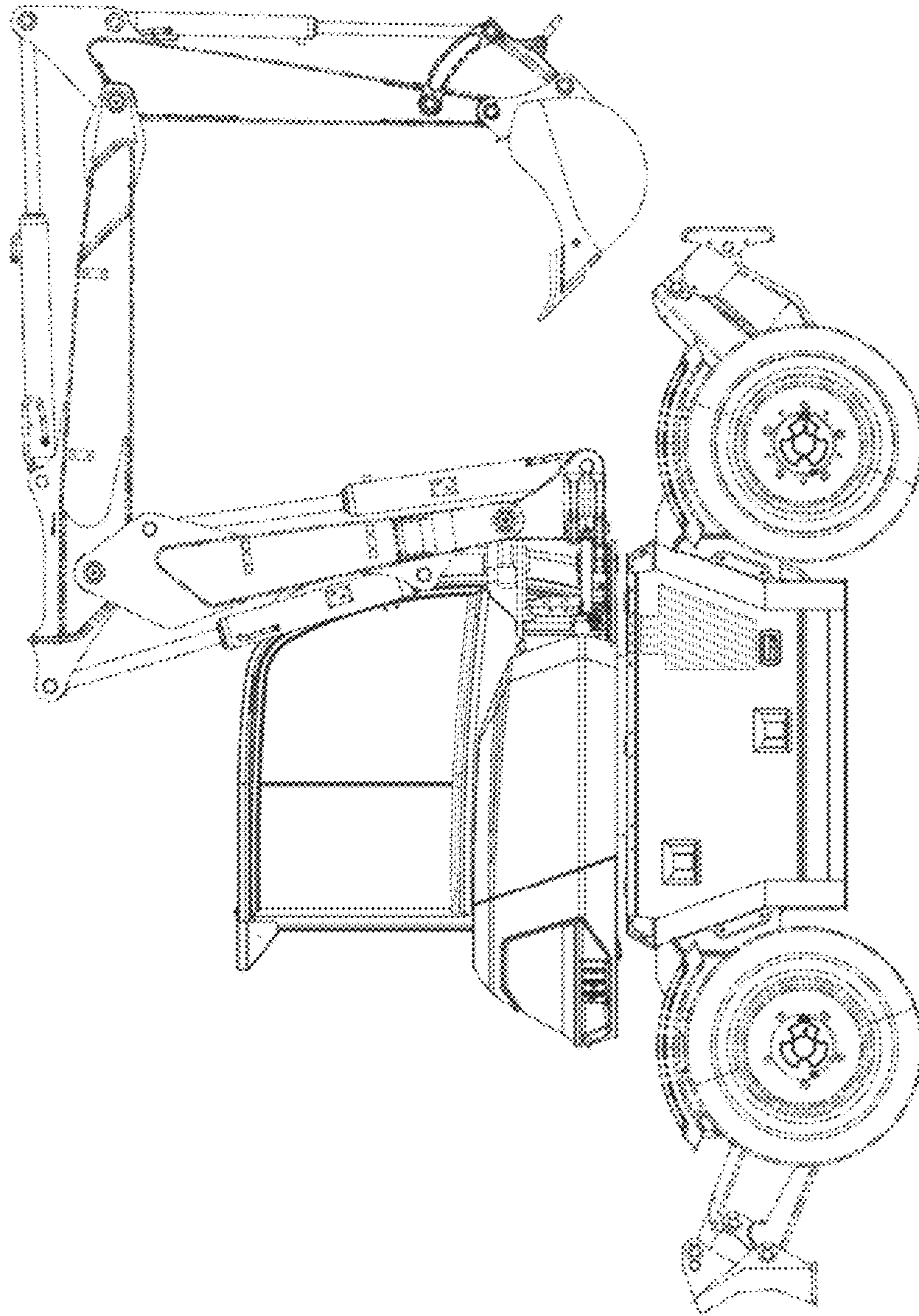


Fig. 5

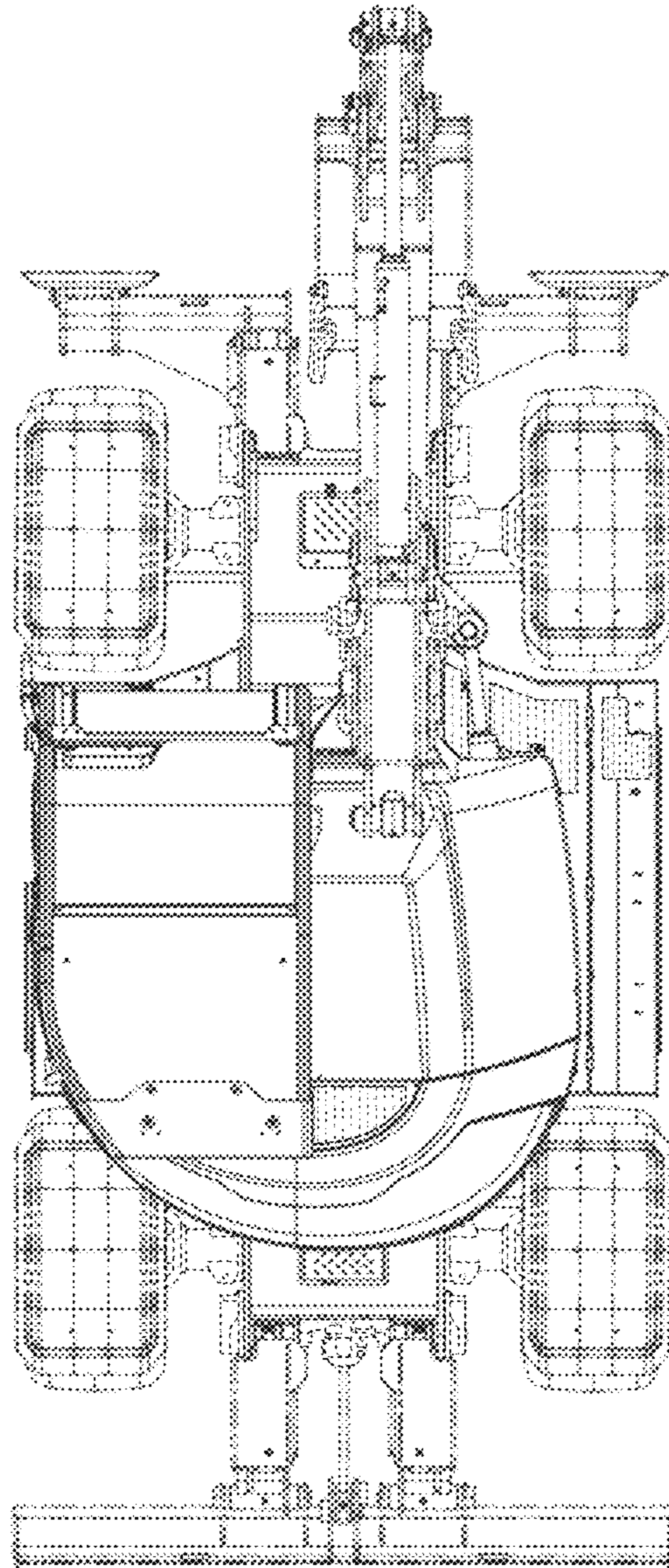


Fig. 6

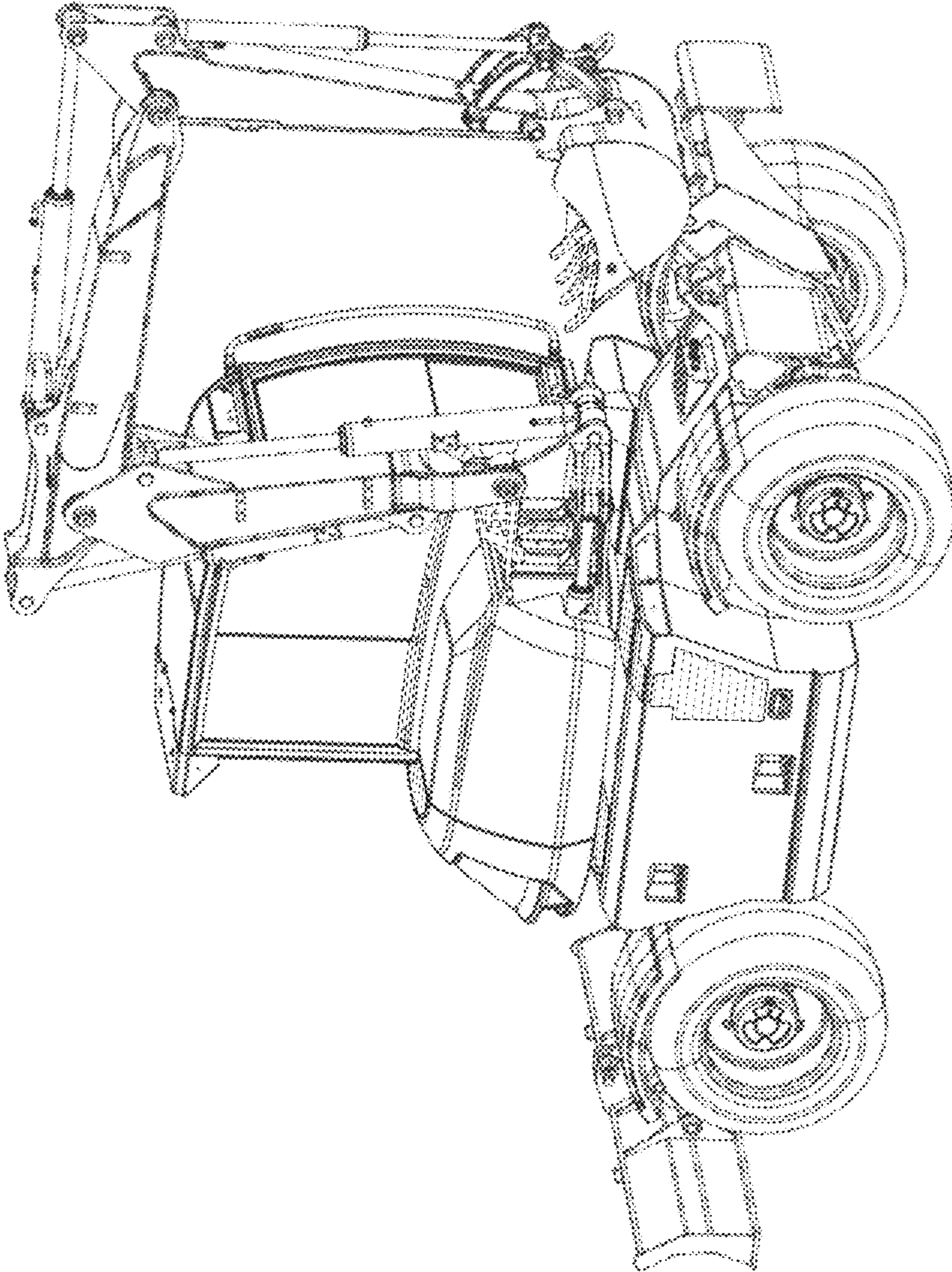


Fig. 7



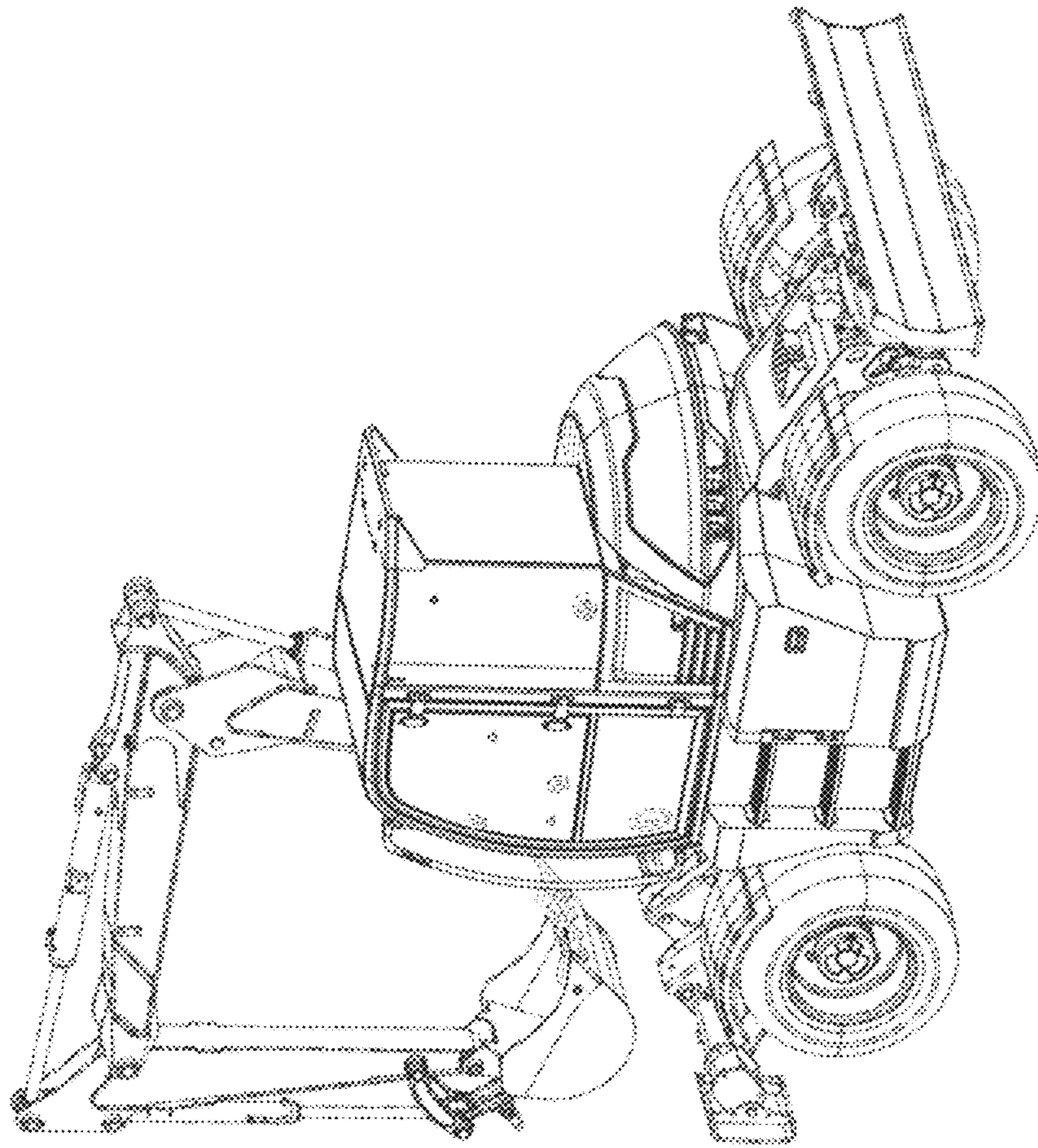


Fig. 8

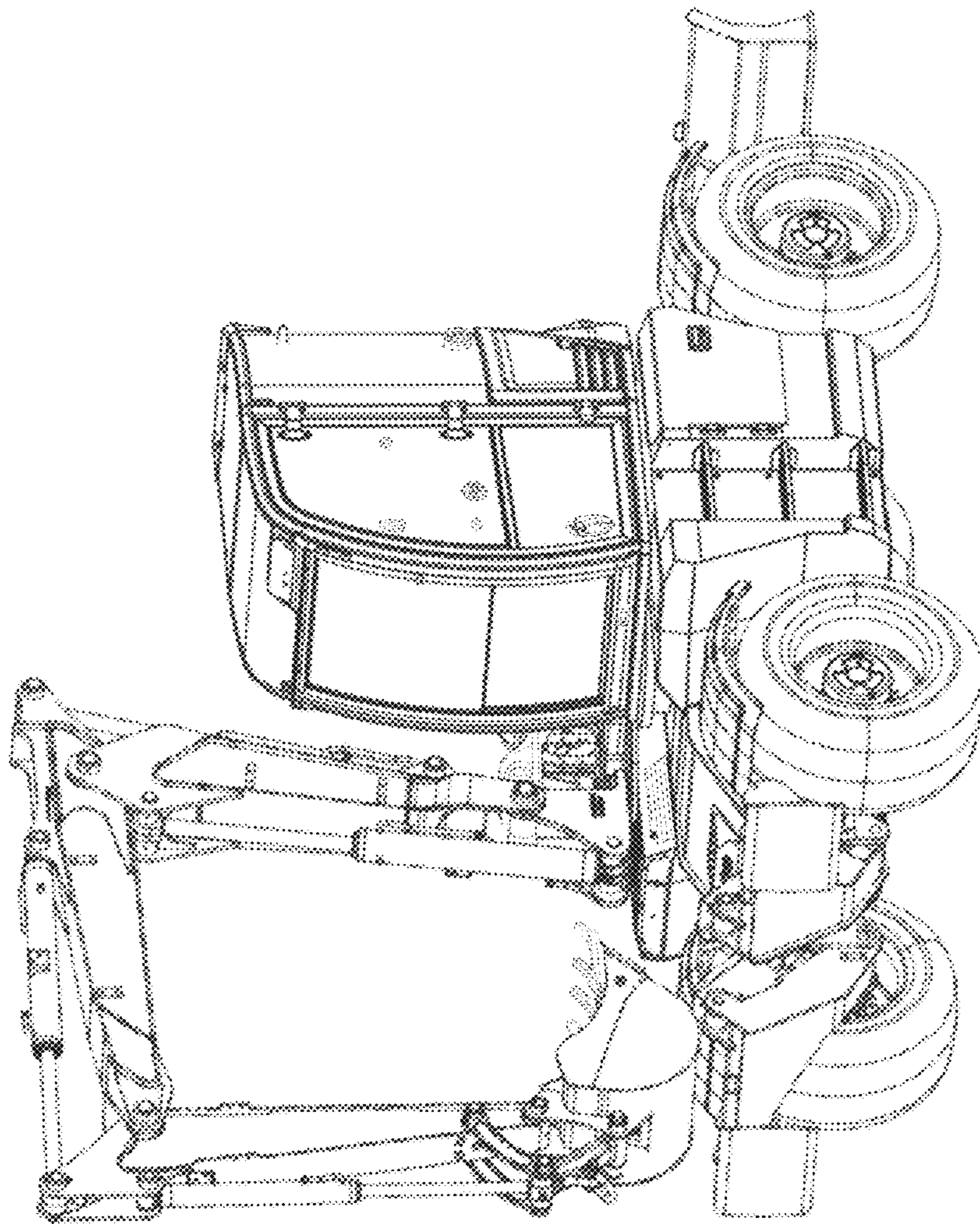


Fig. 9