



US00D851131S

(12) **United States Design Patent**  
**Jenner**

(10) **Patent No.:** **US D851,131 S**  
(45) **Date of Patent:** **\*\* Jun. 11, 2019**

(54) **CENTRALIZER**

**DESCRIPTION**

- (71) Applicant: **CENTEK LIMITED**, Newton Abbot (GB)
- (72) Inventor: **Andrew Jenner**, Vechta (DE)
- (73) Assignee: **CENTEK LIMITED**, Newton Abbot, Devon (GB)
- (\*\*) Term: **14 Years**
- (21) Appl. No.: **29/526,558**
- (22) Filed: **May 11, 2015**
- (30) **Foreign Application Priority Data**
  - Jan. 27, 2015 (WO) ..... DM/085448
  - Jan. 27, 2015 (WO) ..... DM/085449
  - Feb. 26, 2015 (WO) ..... DM/085736
- (51) **LOC (11) Cl.** ..... **15-04**
- (52) **U.S. Cl.**
  - USPC ..... **D15/21**
- (58) **Field of Classification Search**
  - USPC ..... D8/354, 349, 356; D15/10, 21; 166/384, 166/241.1-241.7, 213, 173, 208, 382
  - (Continued)

FIG. 1 is a front elevation view of an embodiment of a centralizer showing the new design;  
 FIG. 2 is a right elevation view thereof, the left elevation view being identical thereto;  
 FIG. 3 is top elevation view thereof, the bottom elevation view being identical thereto;  
 FIG. 4 is a perspective view thereof;  
 FIG. 5 is a front elevation view of an alternative embodiment of a centralizer showing the new design;  
 FIG. 6 is a right elevation view thereof, the left elevation view being identical thereto;  
 FIG. 7 is top elevation view thereof, the bottom elevation view being identical thereto;  
 FIG. 8 is a perspective view thereof;  
 FIG. 9 is a front elevation view of an alternative embodiment of a centralizer showing the new design;  
 FIG. 10 is a right elevation view thereof, the left elevation view being identical thereto;  
 FIG. 11 is top elevation view thereof, the bottom elevation view being identical thereto;  
 FIG. 12 is a perspective view thereof;  
 FIG. 13 is a front elevation view of an alternative embodiment of a centralizer showing the new design;  
 FIG. 14 is a right elevation view thereof, the left elevation view being identical thereto;  
 FIG. 15 is top elevation view thereof, the bottom elevation view being identical thereto;  
 FIG. 16 is a perspective view thereof;  
 FIG. 17 is a front elevation view of an alternative embodiment of a centralizer showing the new design;  
 FIG. 18 is a right elevation view thereof, the left elevation view being identical thereto;  
 FIG. 19 is top elevation view thereof, the bottom elevation view being identical thereto;  
 FIG. 20 is a perspective view thereof;  
 FIG. 21 is a front elevation view of an alternative embodiment of a centralizer showing the new design;  
 FIG. 22 is a right elevation view thereof, the left elevation view being identical thereto;  
 FIG. 23 is a top elevation view thereof, the bottom elevation view being identical thereto; and,  
 FIG. 24 is a perspective view thereof.

(56) **References Cited**

**U.S. PATENT DOCUMENTS**

- 3,209,836 A \* 10/1965 Hall, Sr. .... E21B 17/1028  
166/241.7
- 3,358,768 A \* 12/1967 Solum ..... E21B 33/136  
166/173

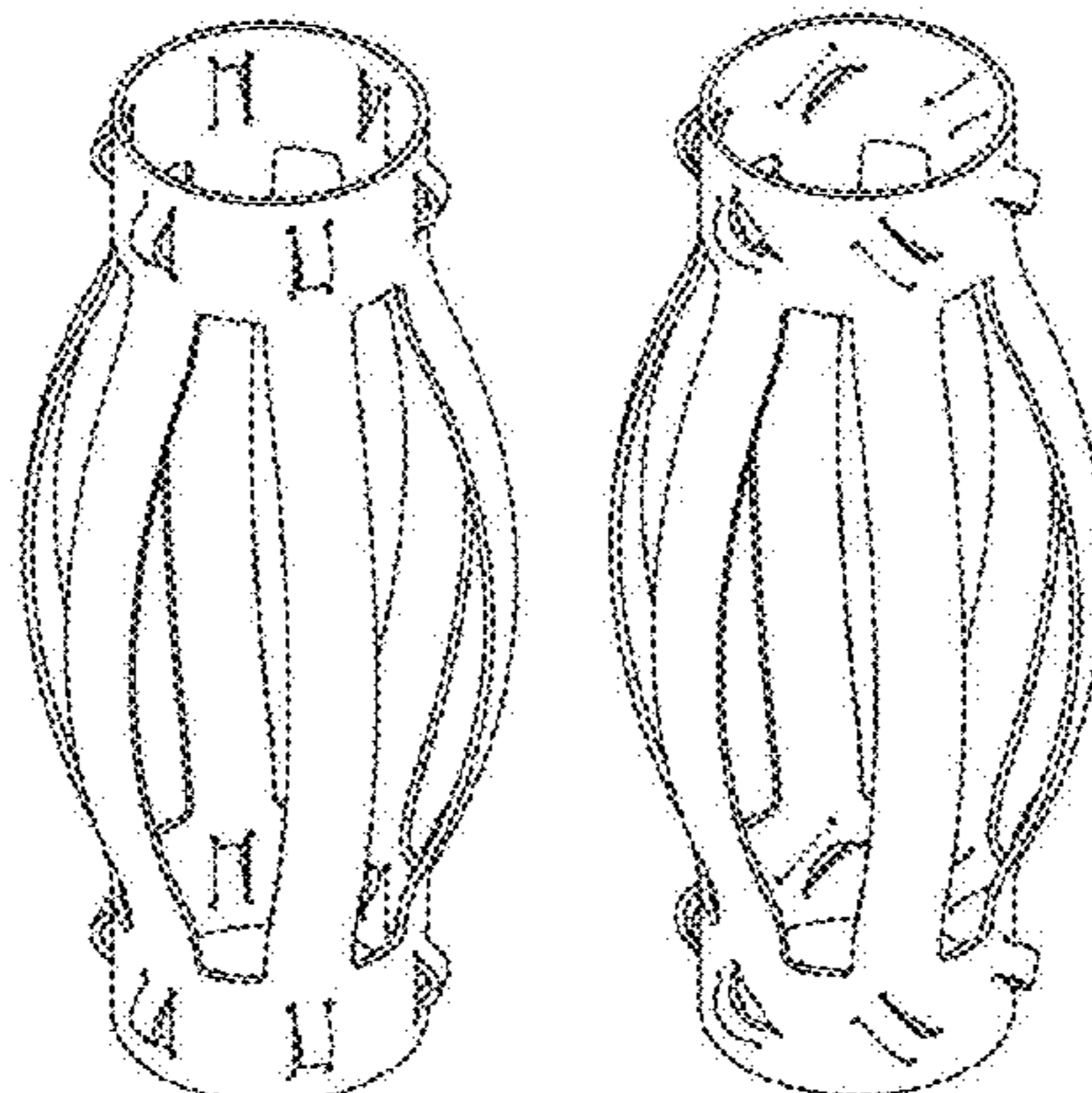
(Continued)

*Primary Examiner* — Janice Hallmark  
*Assistant Examiner* — Harold E Blackwell, II

(57) **CLAIM**

The ornamental design for a centralizer, as shown and described.

**1 Claim, 24 Drawing Sheets**



# US D851,131 S

Page 2

(58) **Field of Classification Search**

CPC ..... E21B 17/1078; E21B 17/1035; E21B  
17/1064; E21B 17/1057

See application file for complete search history.

(56) **References Cited**

U.S. PATENT DOCUMENTS

3,369,607 A \* 2/1968 Turbyfill ..... E21B 33/136  
166/202  
4,143,713 A \* 3/1979 Kreft ..... E21B 17/1028  
166/241.7  
6,997,254 B2 2/2006 Jenner  
D671,960 S \* 12/2012 Kirk ..... D15/21  
8,360,161 B2 \* 1/2013 Buytaert ..... E21B 17/1014  
166/387  
8,770,280 B2 \* 7/2014 Buytaert ..... E21B 17/10  
166/241.6

8,832,920 B2 \* 9/2014 Goldberg ..... F16B 5/0275  
248/201  
8,833,446 B2 \* 9/2014 Lively ..... E21B 17/1028  
166/241.6  
D718,342 S \* 11/2014 Buytaert ..... D15/21  
D743,447 S \* 11/2015 Neel ..... D15/21  
9,297,218 B2 \* 3/2016 Jordan ..... E21B 19/24  
9,341,032 B2 \* 5/2016 Jewett ..... E21B 17/1078  
9,534,456 B2 \* 1/2017 Eidem ..... E21B 17/105  
9,556,687 B2 \* 1/2017 Buytaert ..... E21B 17/1028  
9,664,001 B2 \* 5/2017 Jenner ..... E21B 17/1078  
9,745,803 B2 \* 8/2017 Buytaert ..... E21B 17/1028  
2003/0000607 A1 \* 1/2003 Jenner ..... E21B 17/1028  
148/652  
2011/0030973 A1 \* 2/2011 Jenner ..... E21B 17/1028  
166/382  
2016/0060974 A1 \* 3/2016 Jenner ..... E21B 17/1028  
166/241.6  
2016/0084020 A1 \* 3/2016 Jenner ..... E21B 17/1078  
166/380

\* cited by examiner

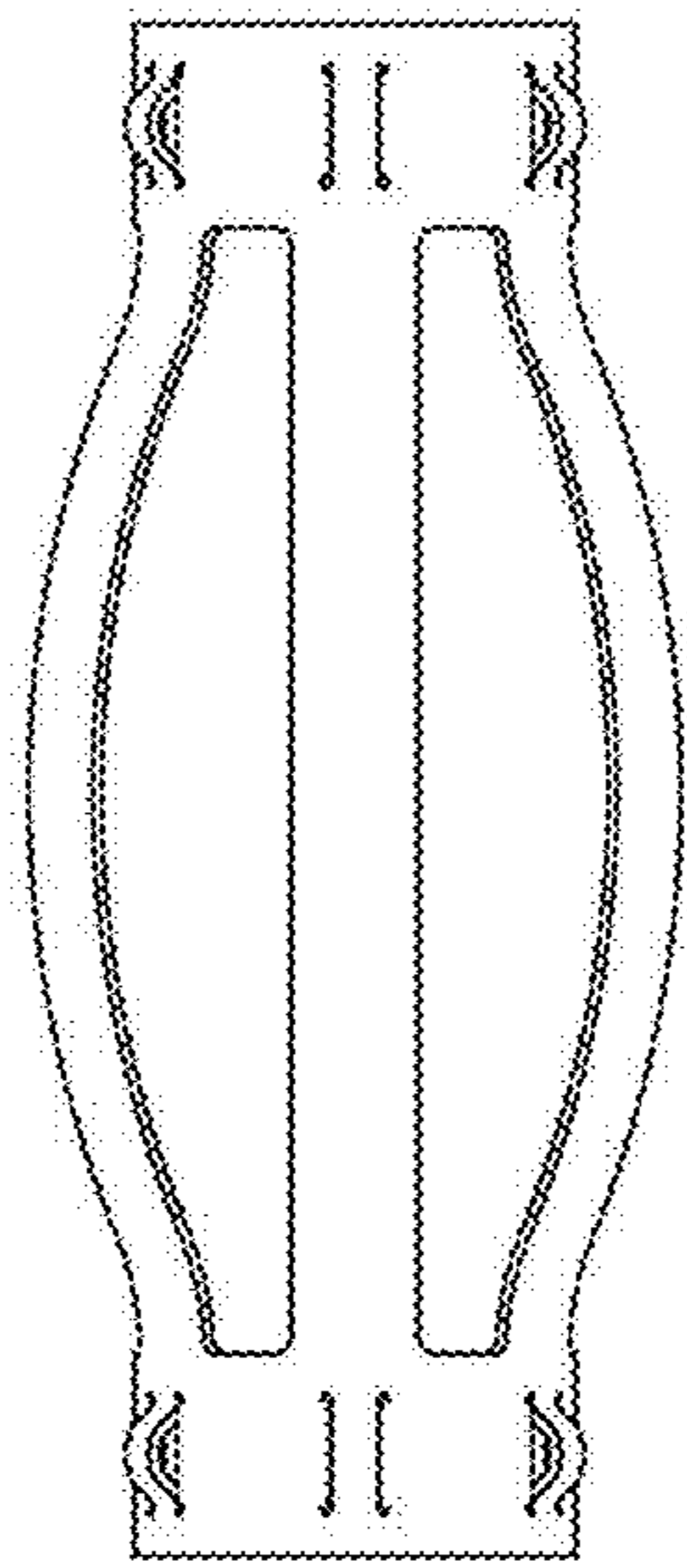


Figure 1

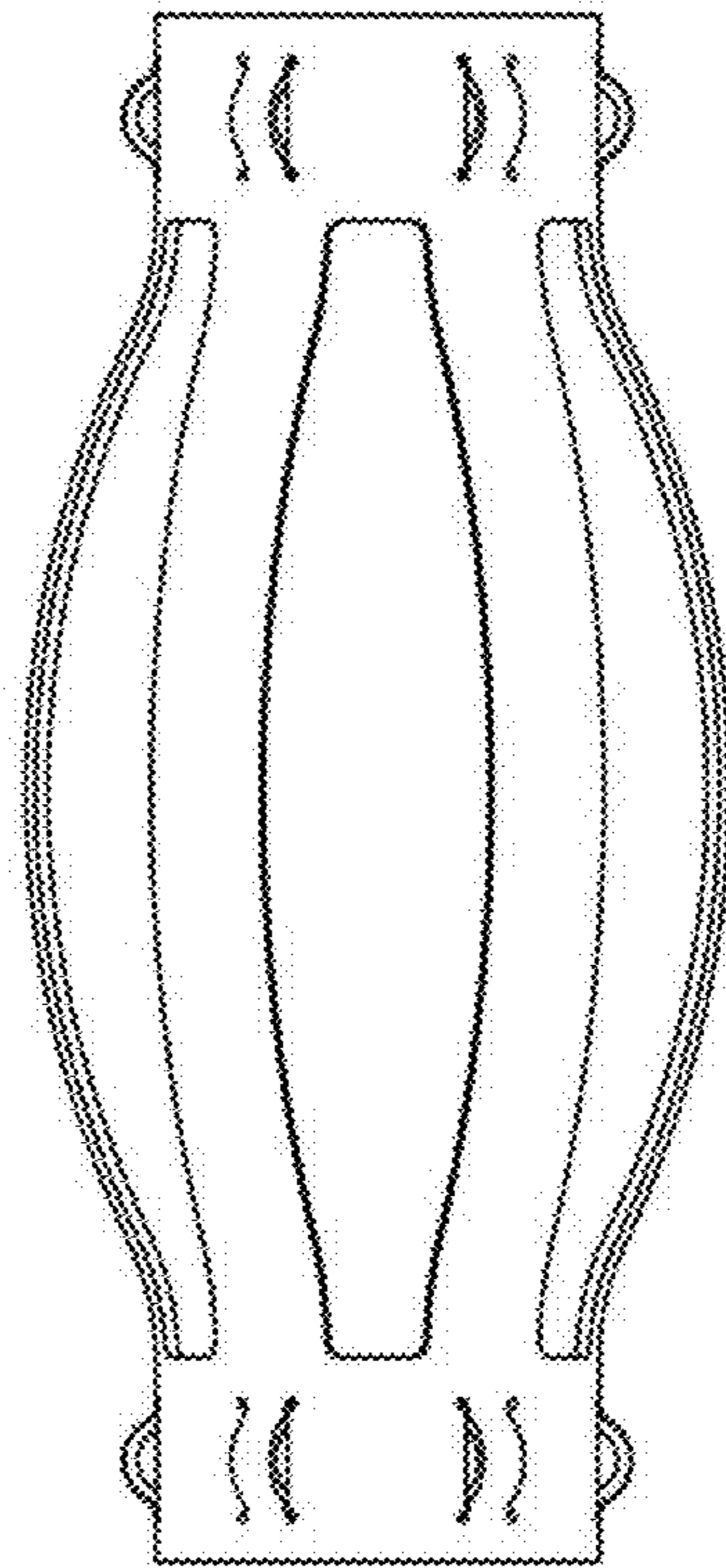


Figure 2

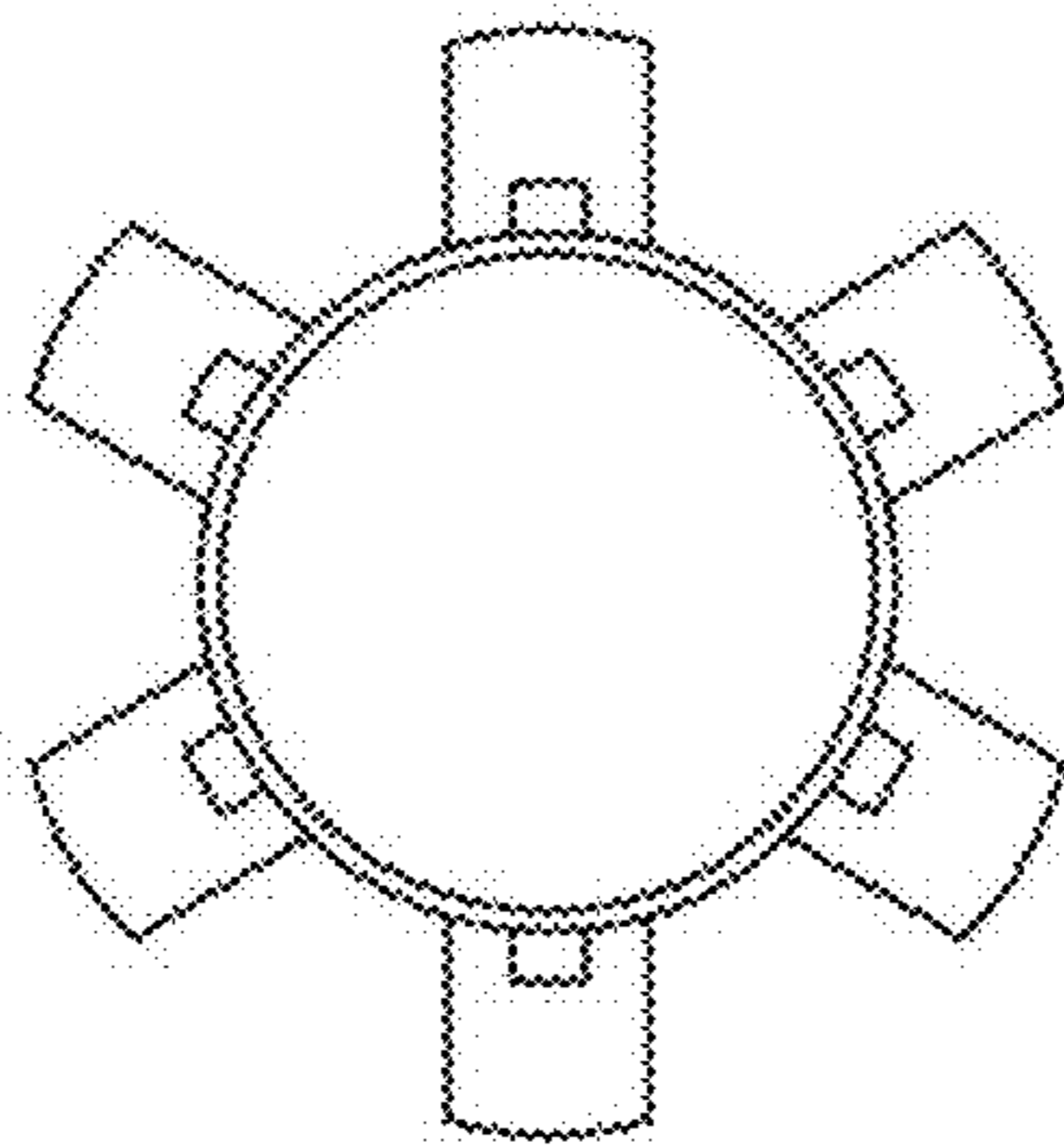


Figure 3

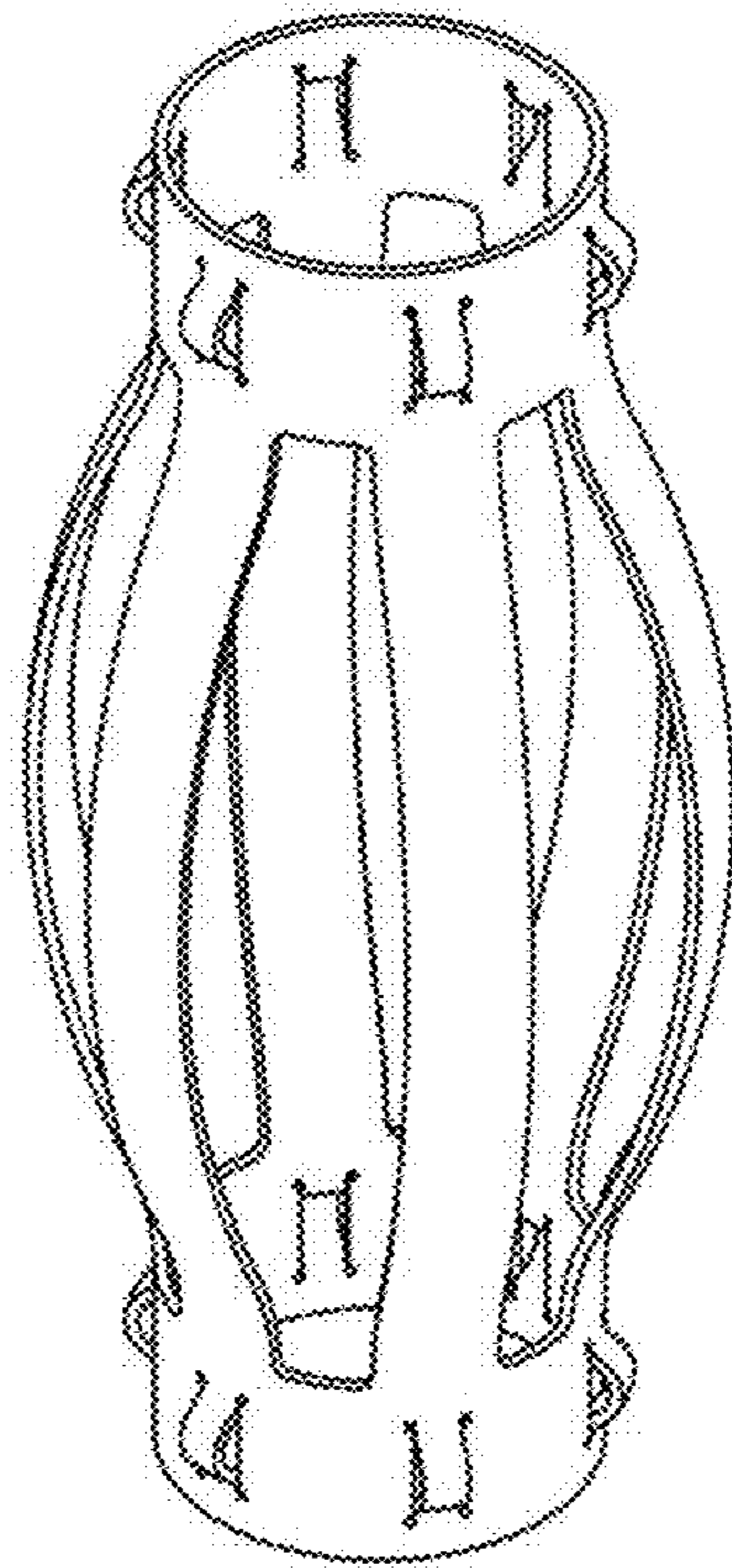


Figure 4

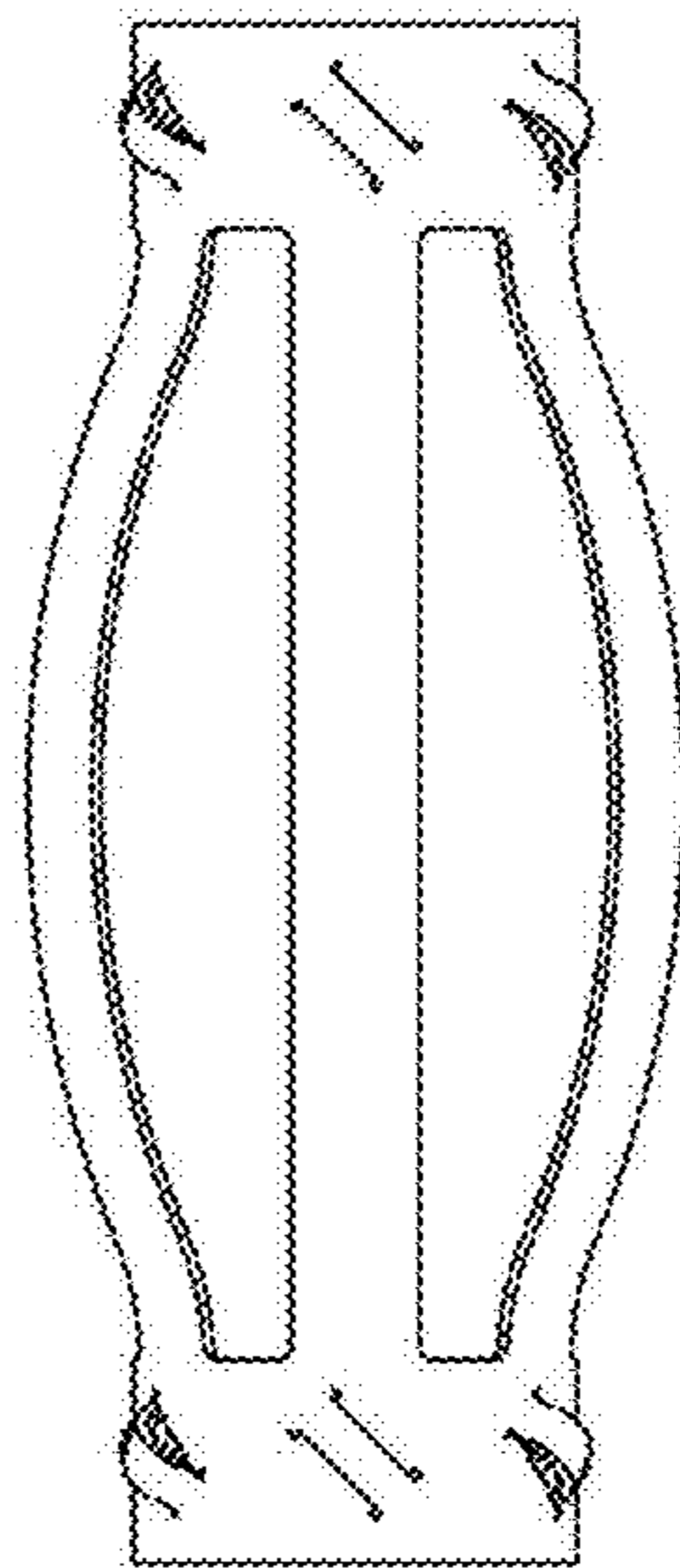


Figure 5

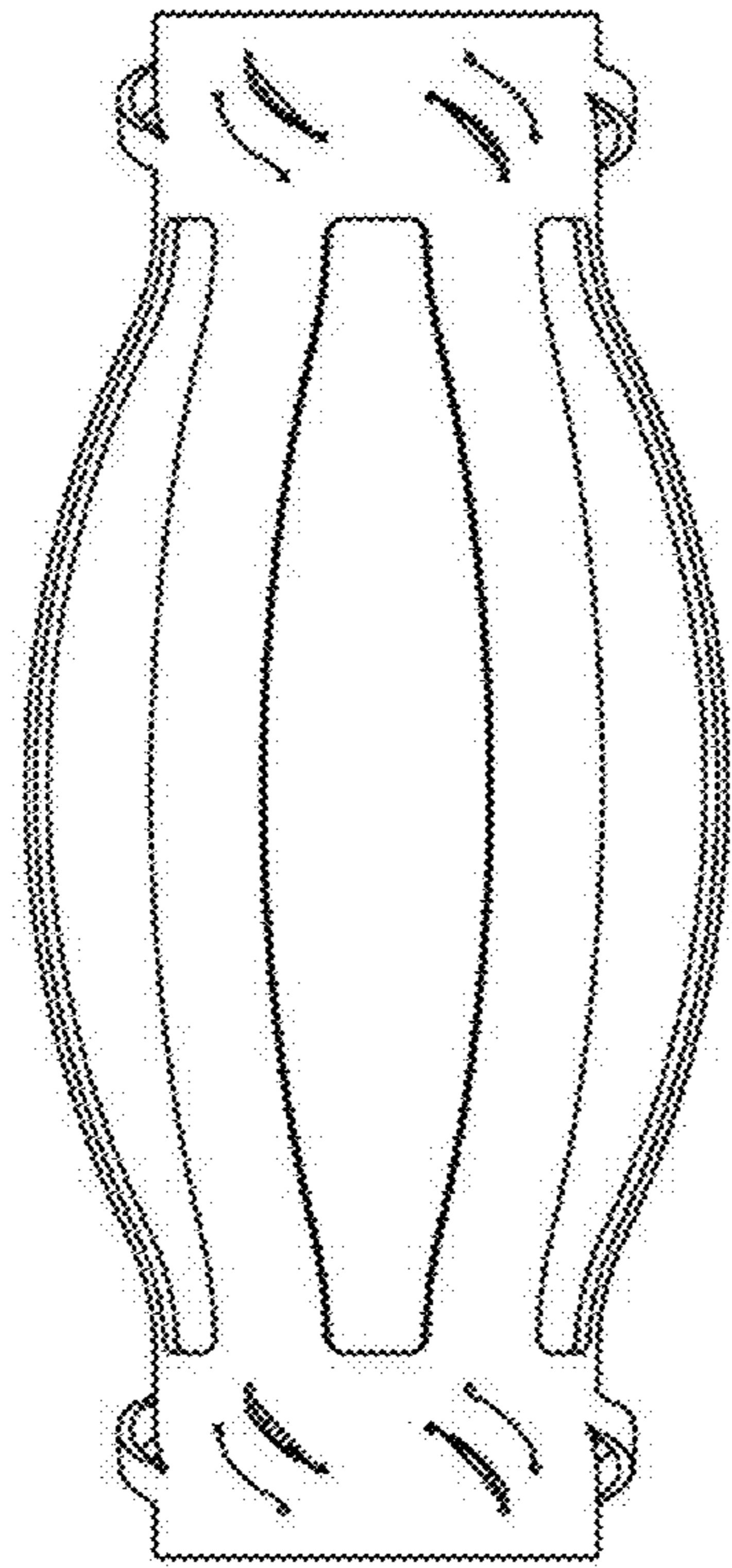


Figure 6



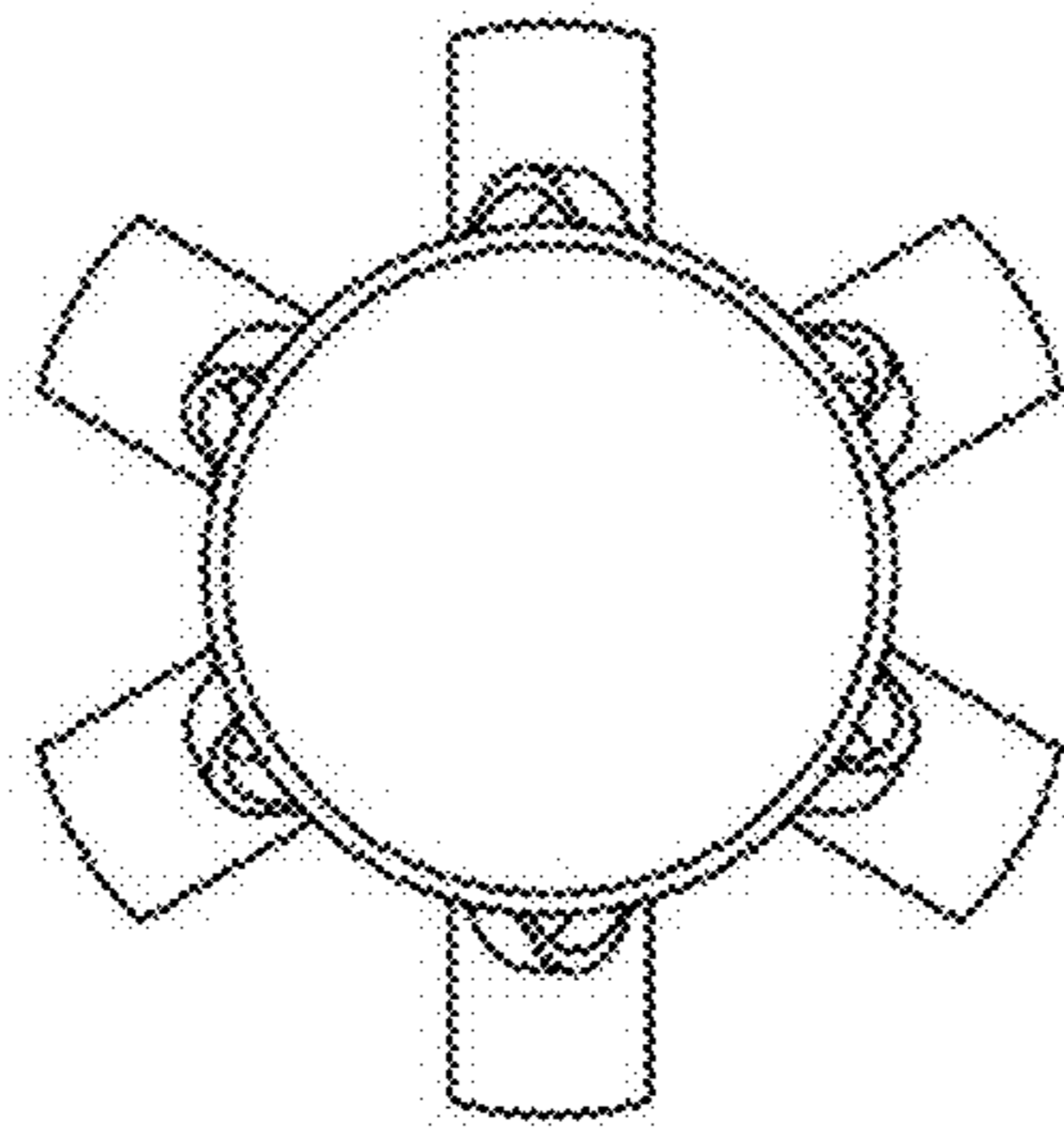


Figure 7

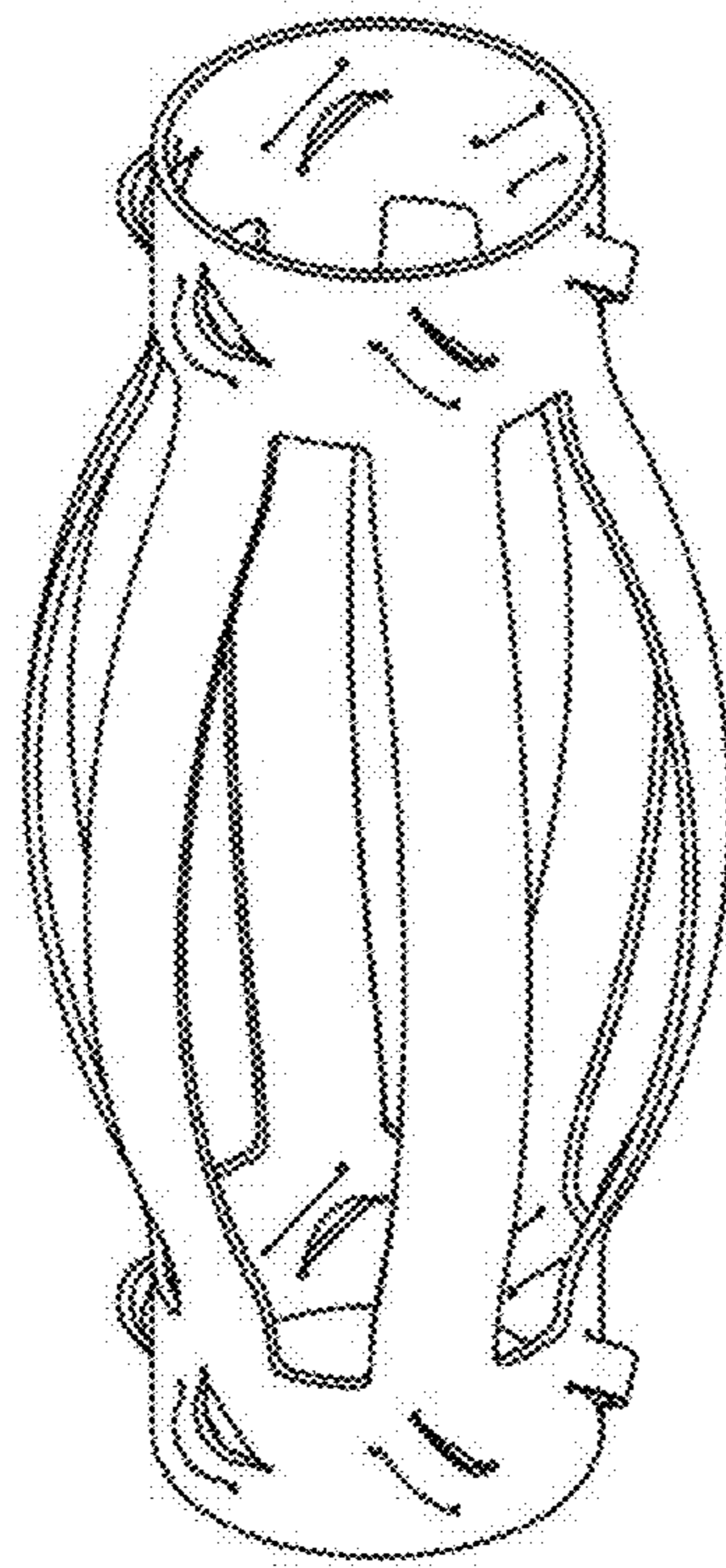


Figure 8

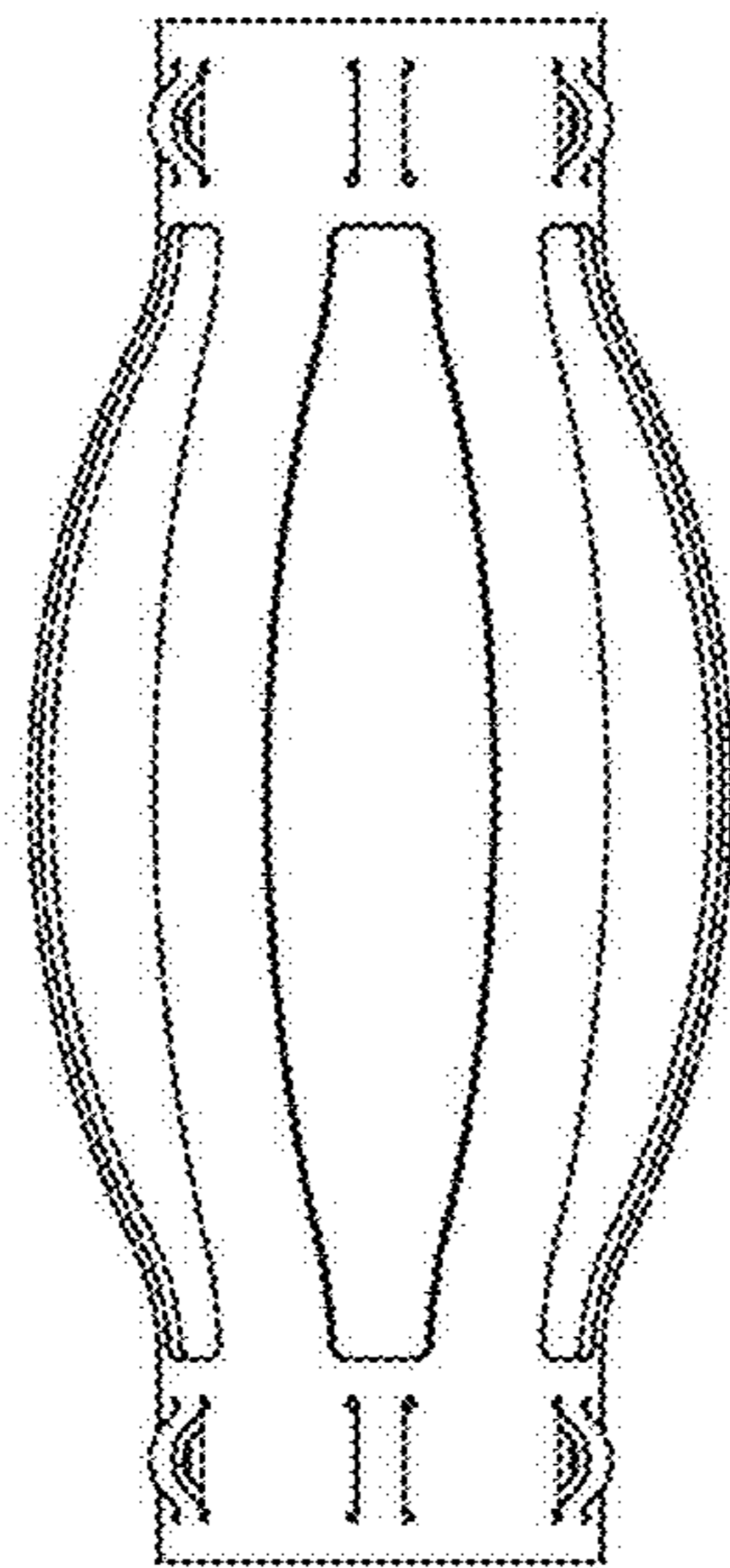


Figure 9

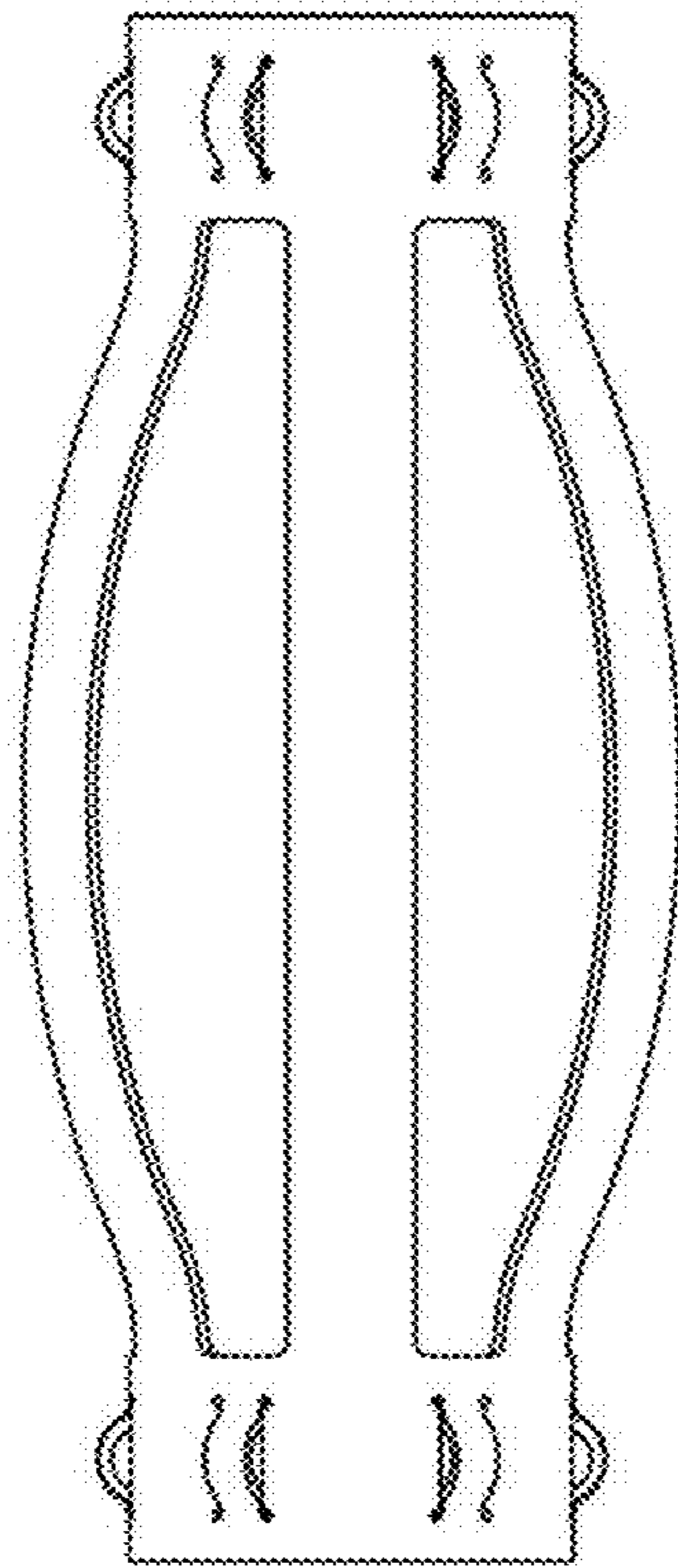


Figure 10

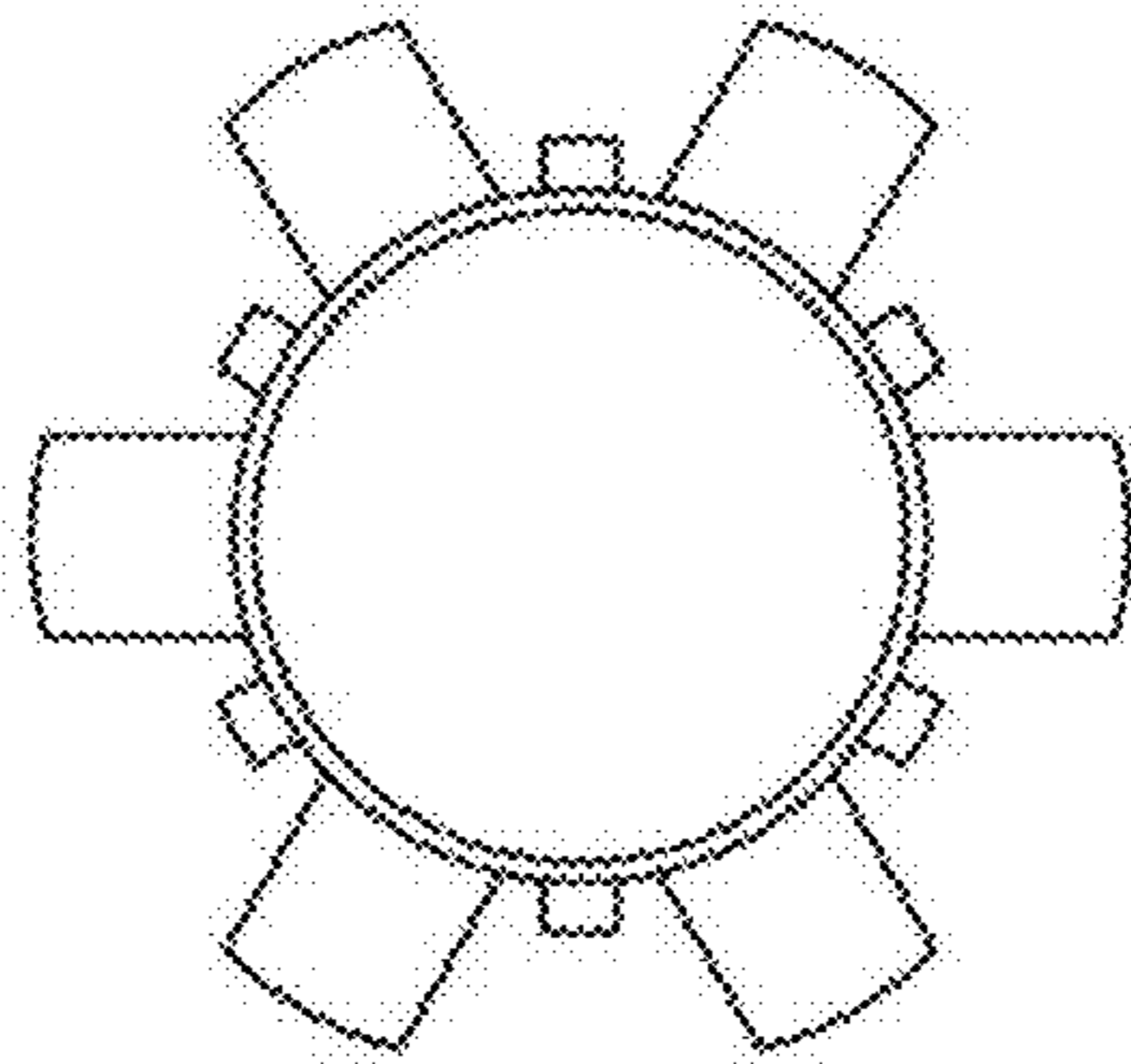


Figure 11

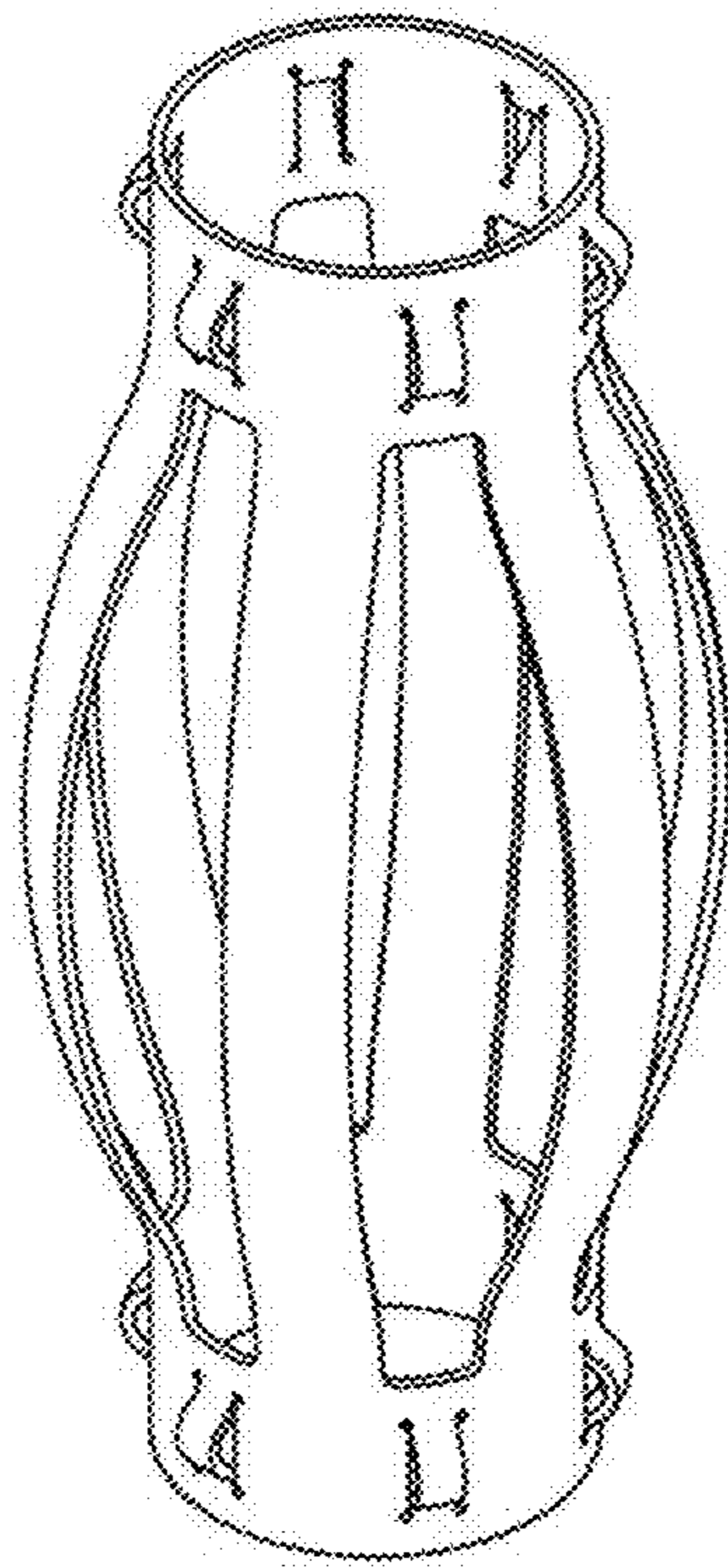


Figure 12

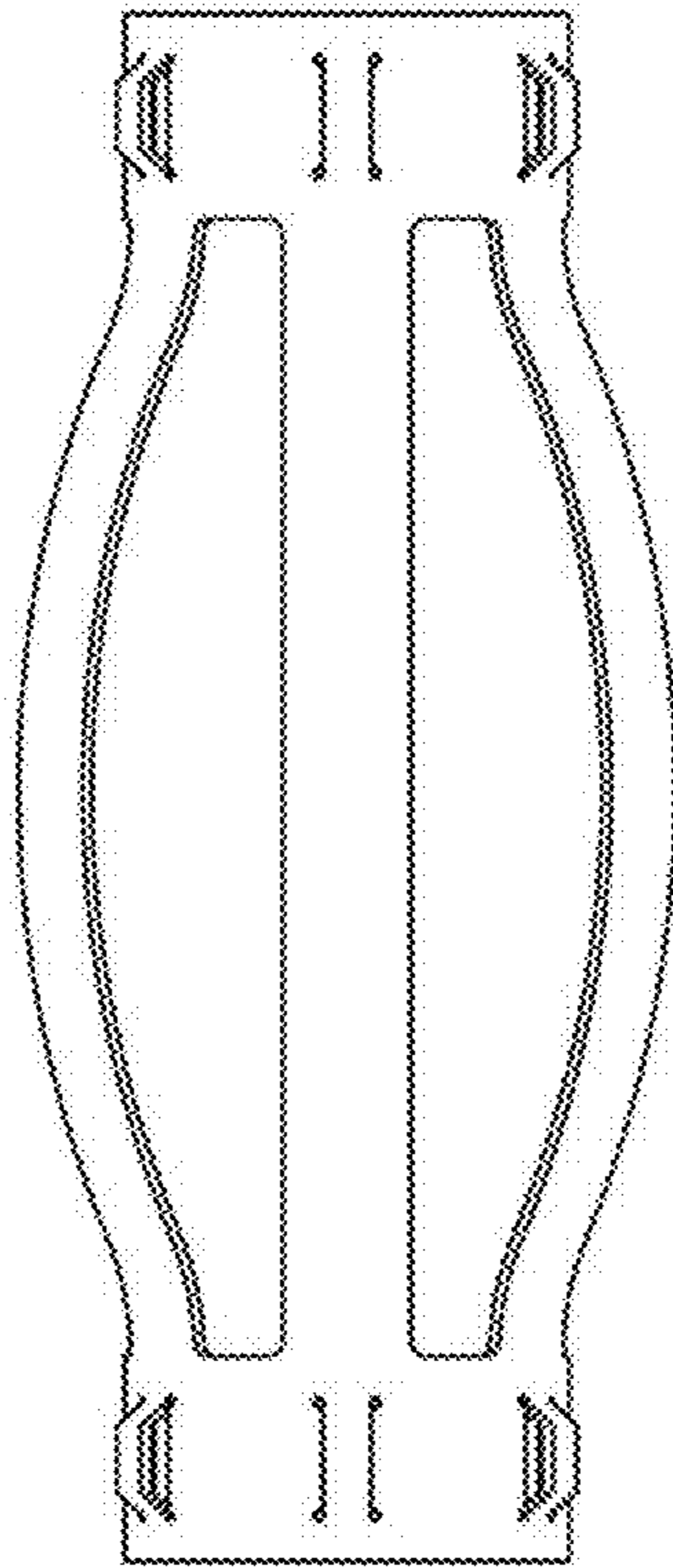


Figure13

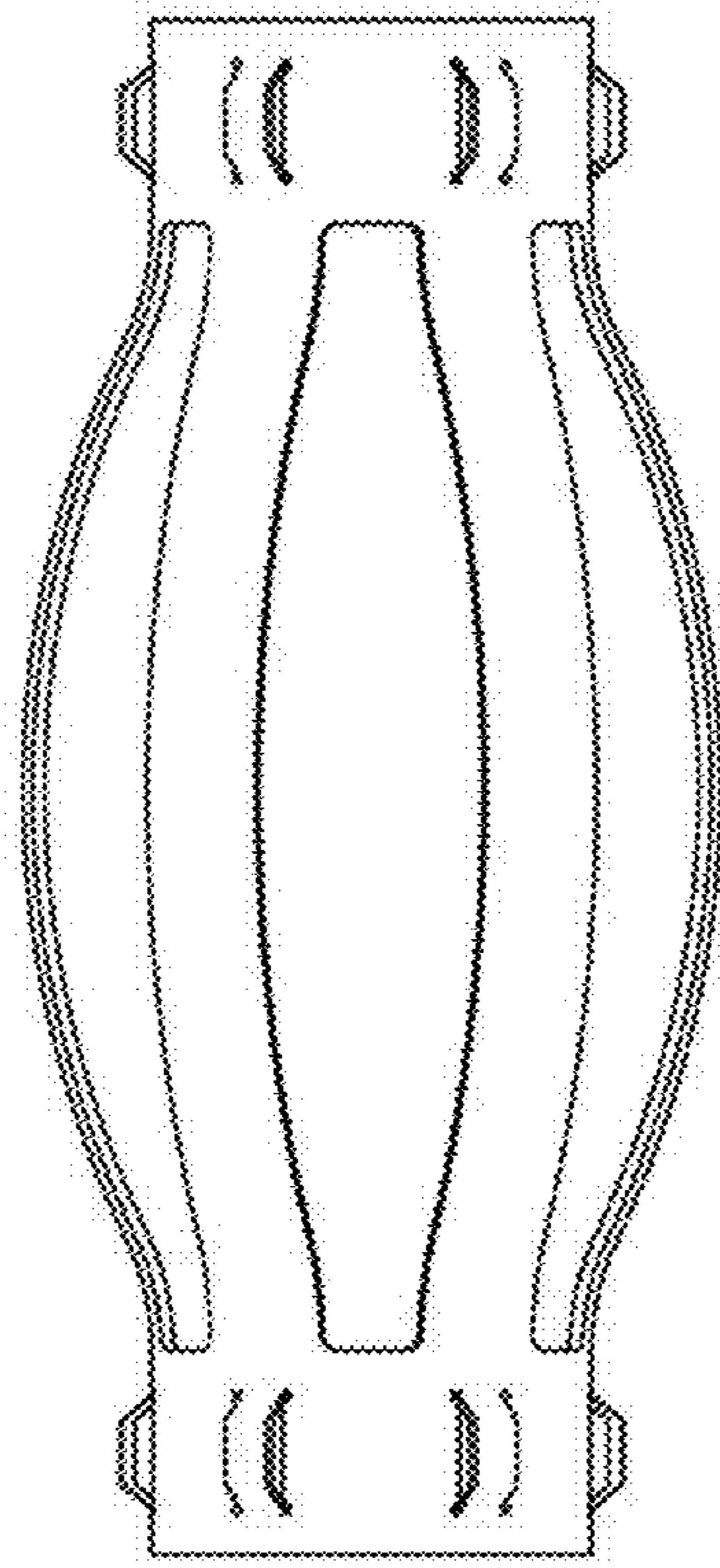


Figure 14



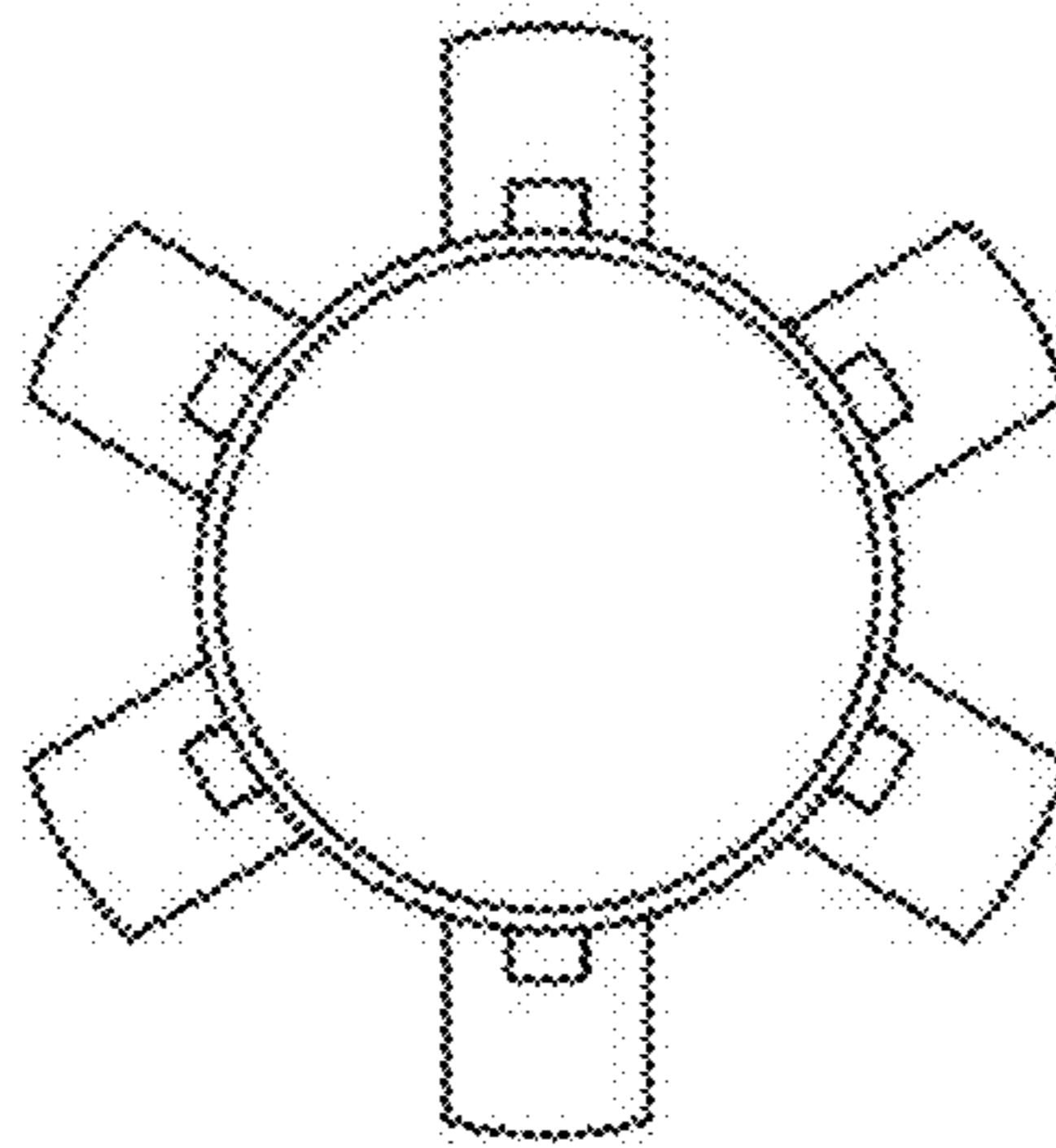


Figure 15

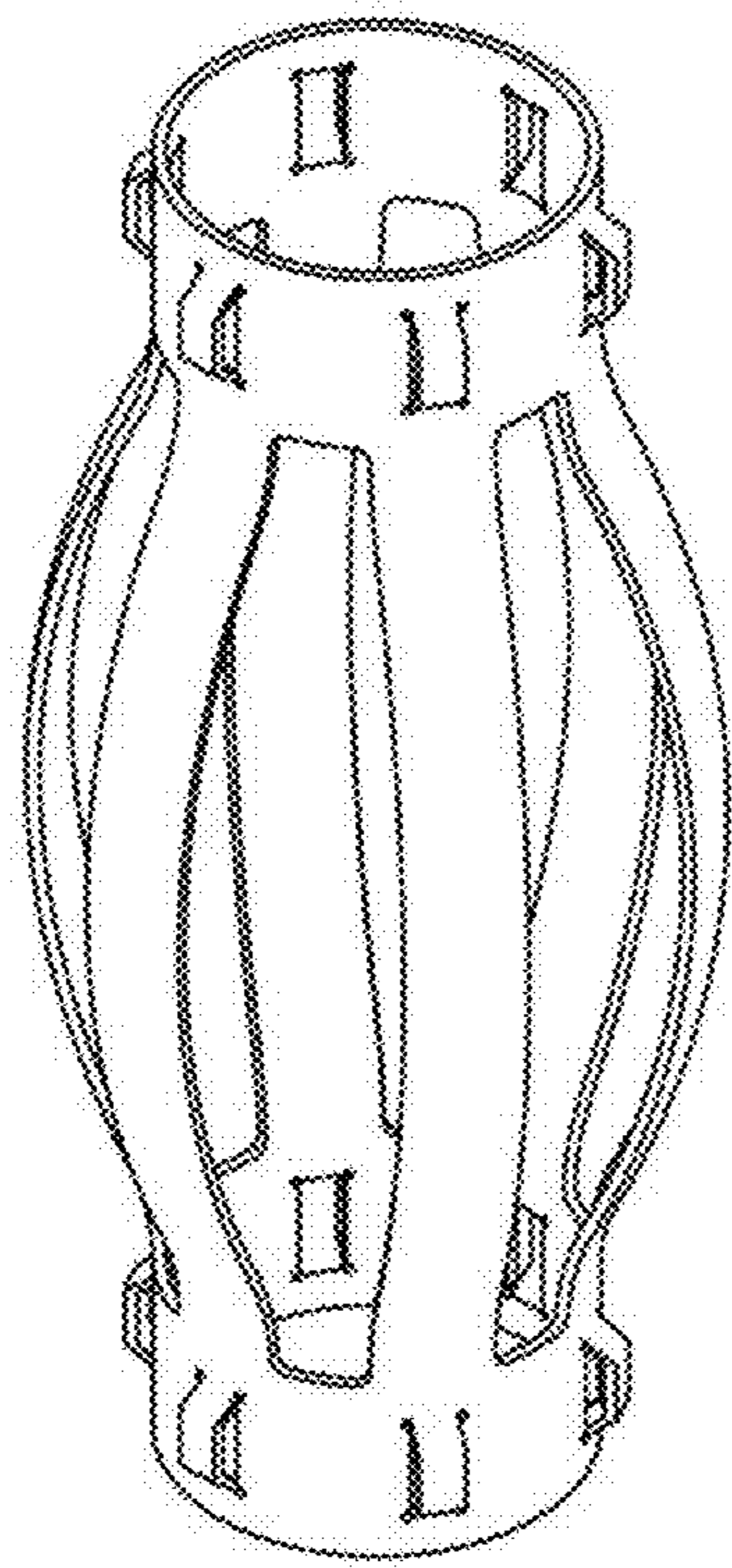


Figure 16

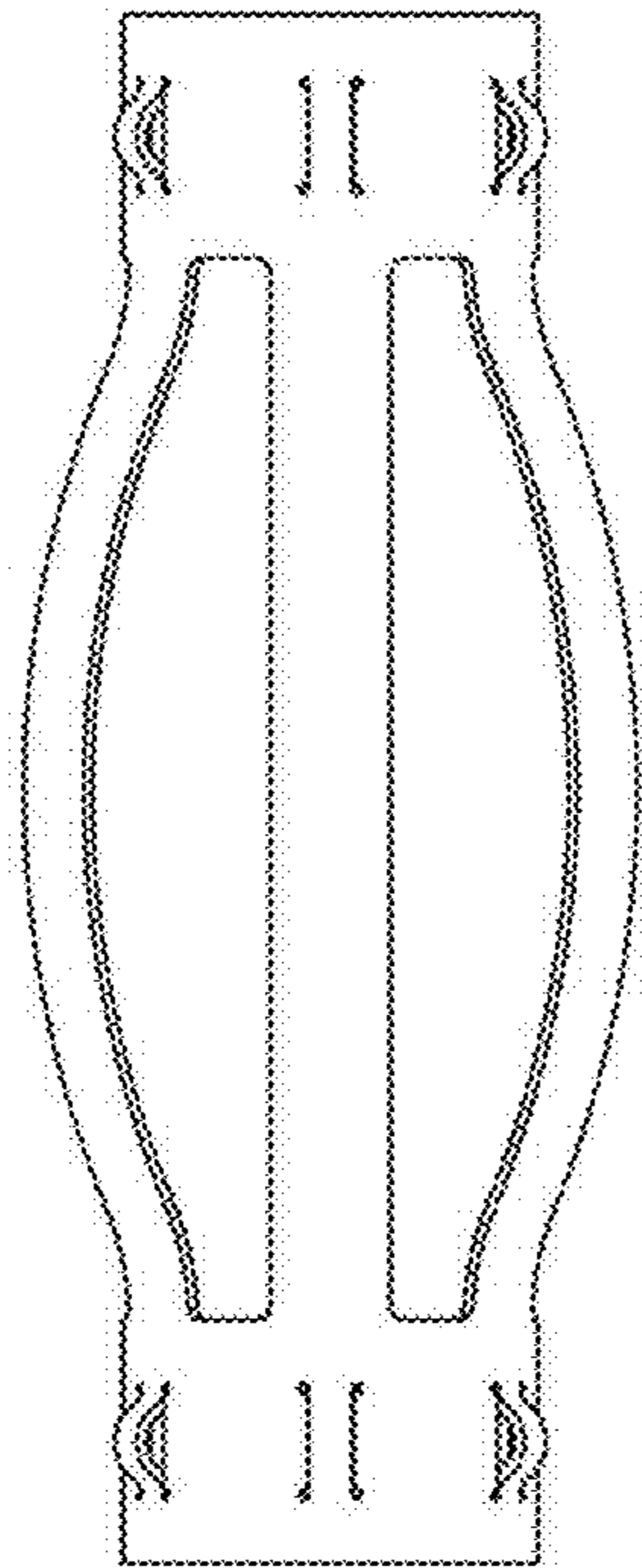


Figure 17

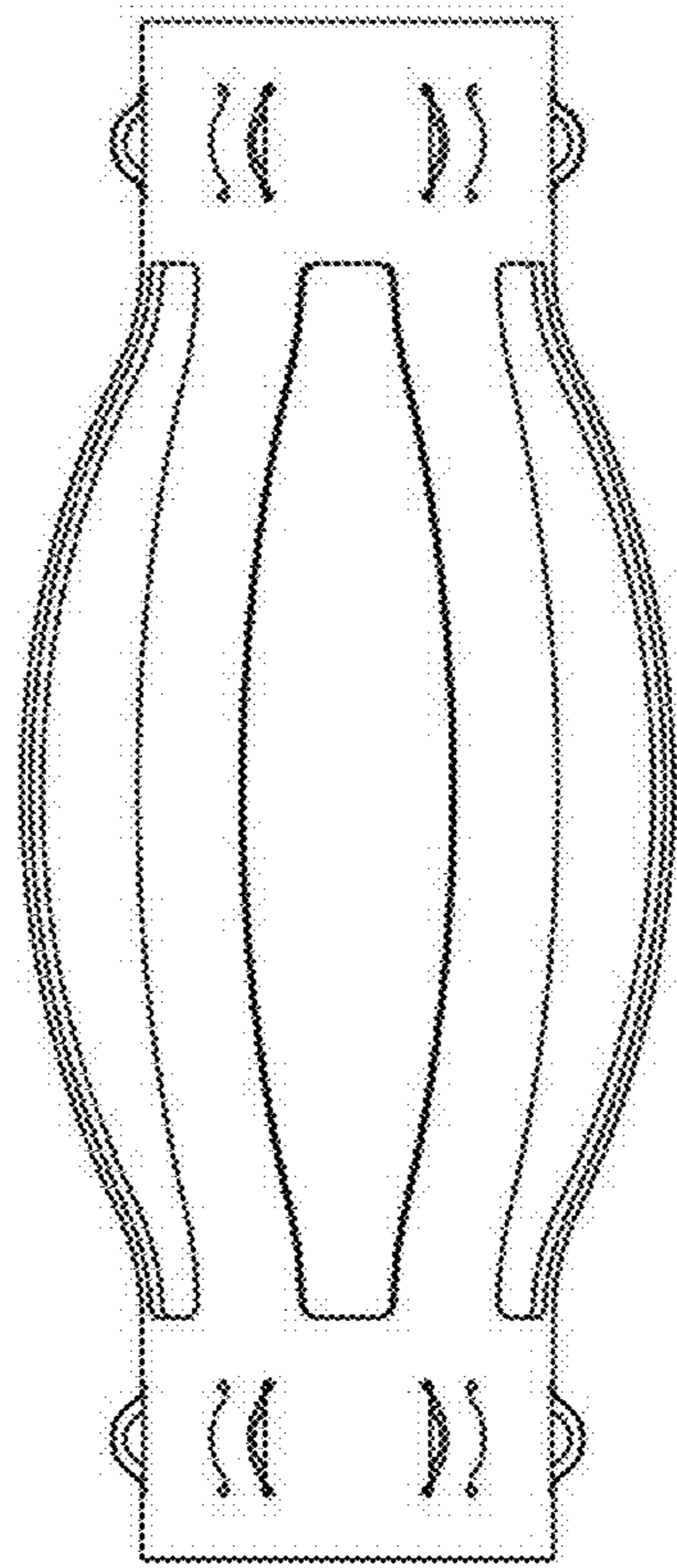


Figure 18

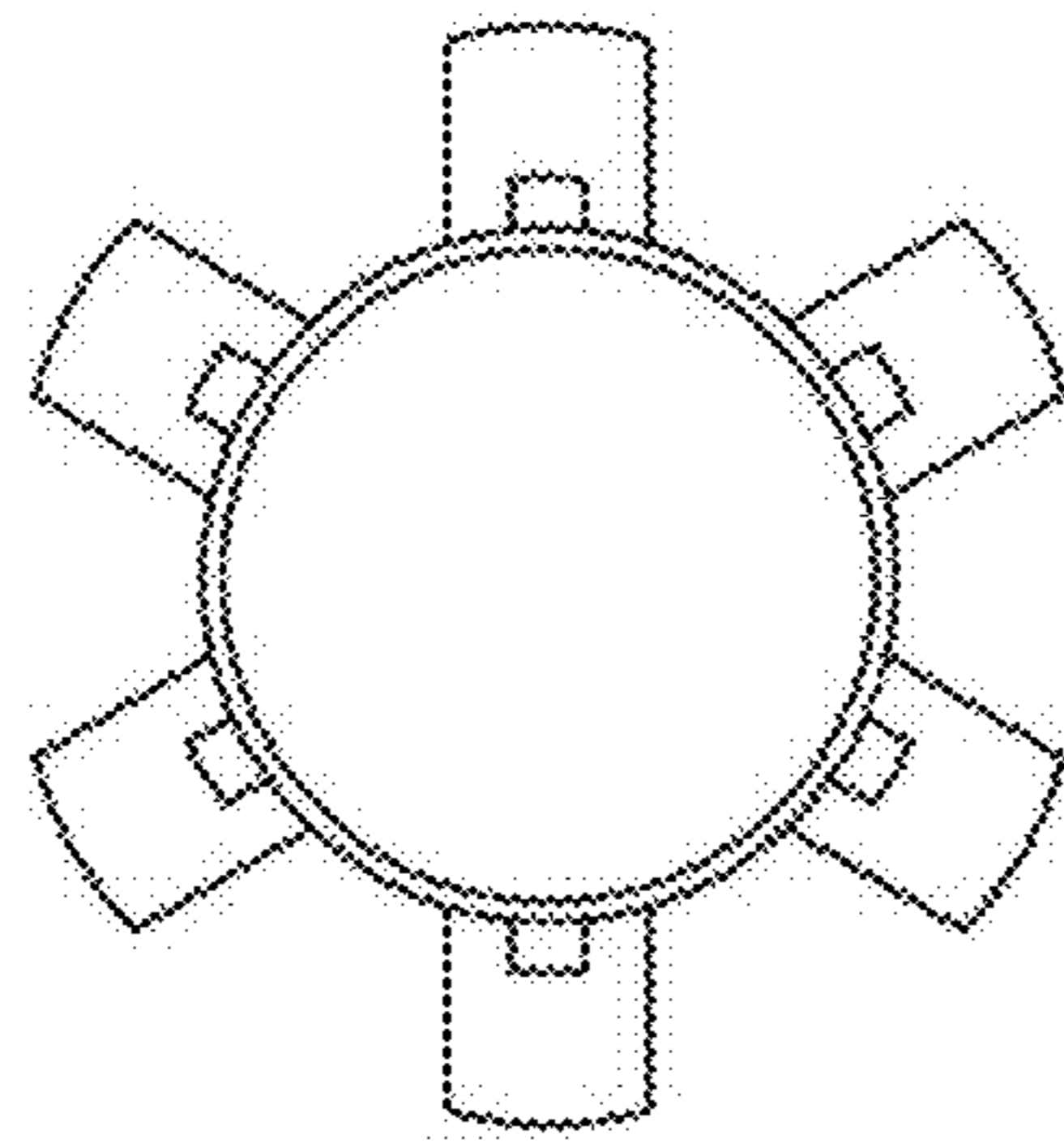


Figure 19

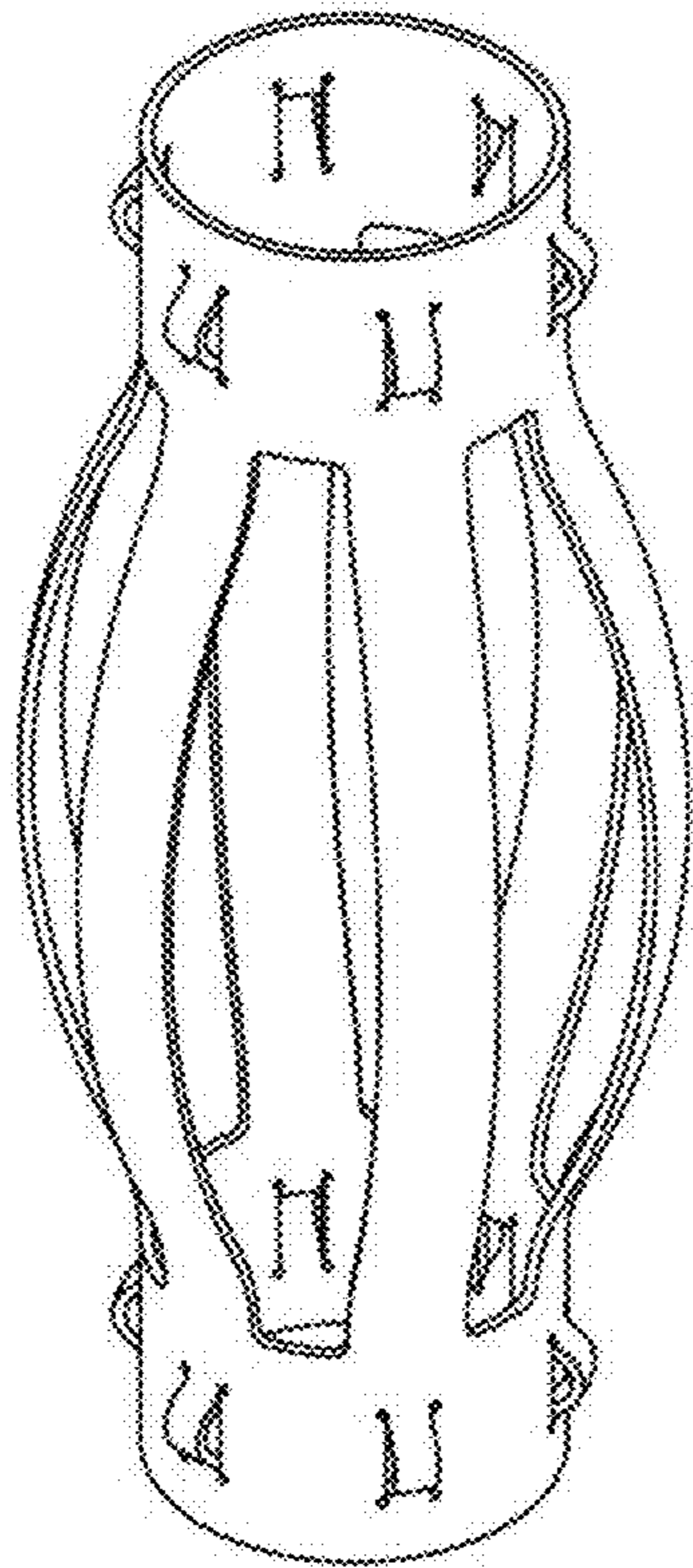


Figure 20

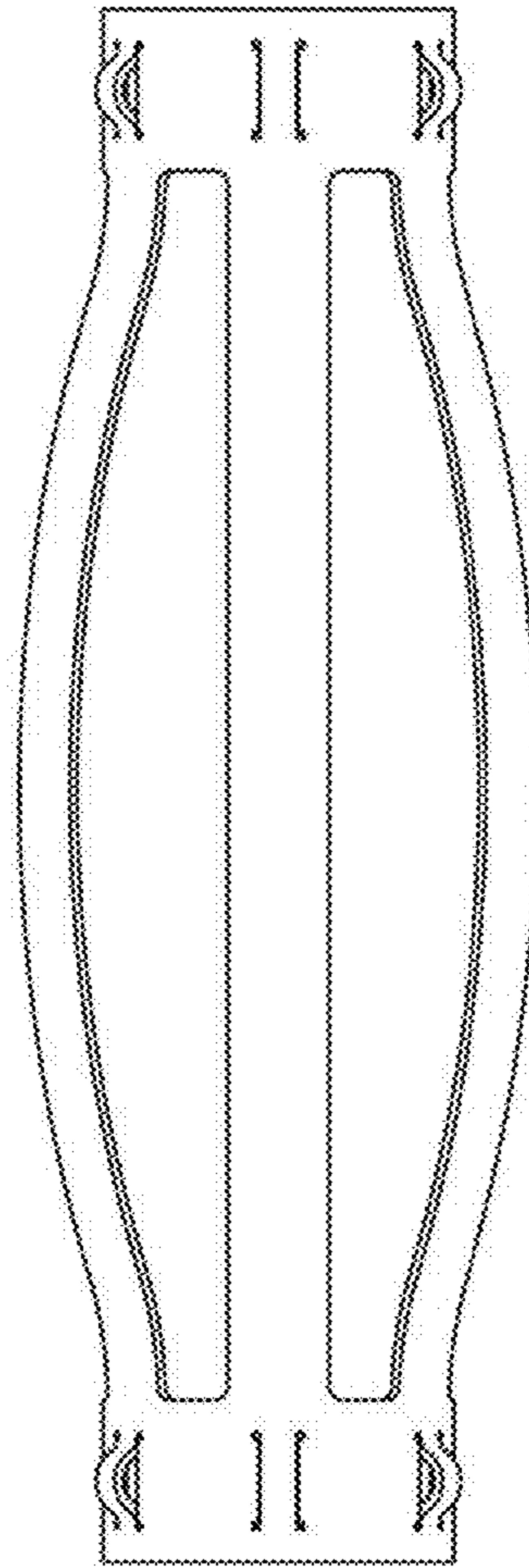


Figure 21

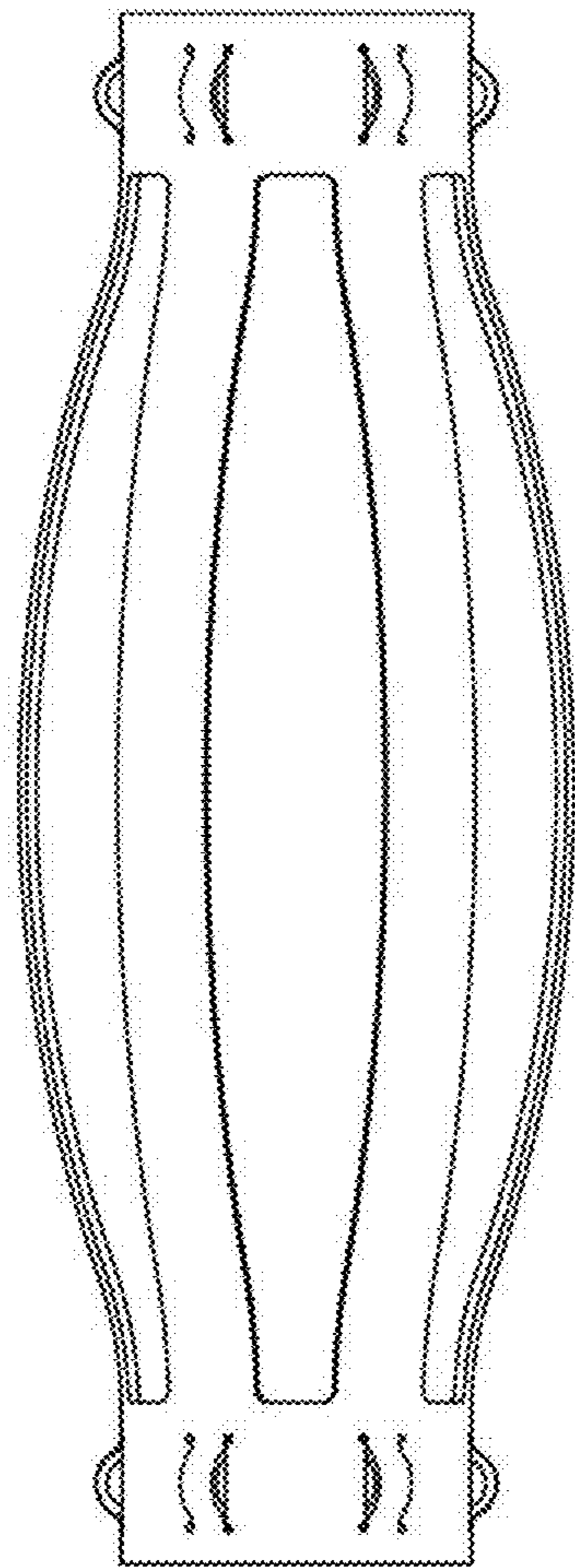


Figure 22



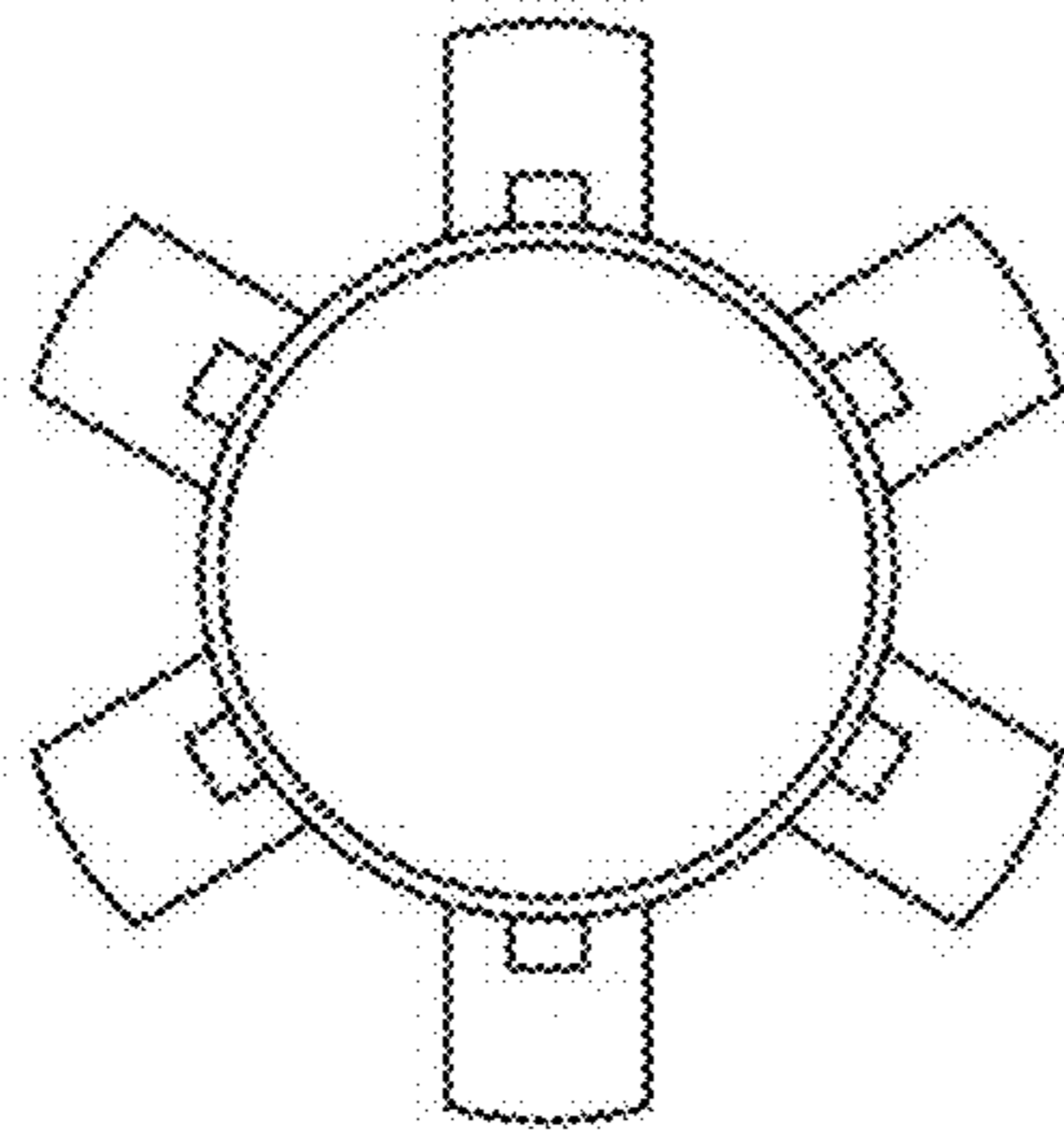


Figure 23

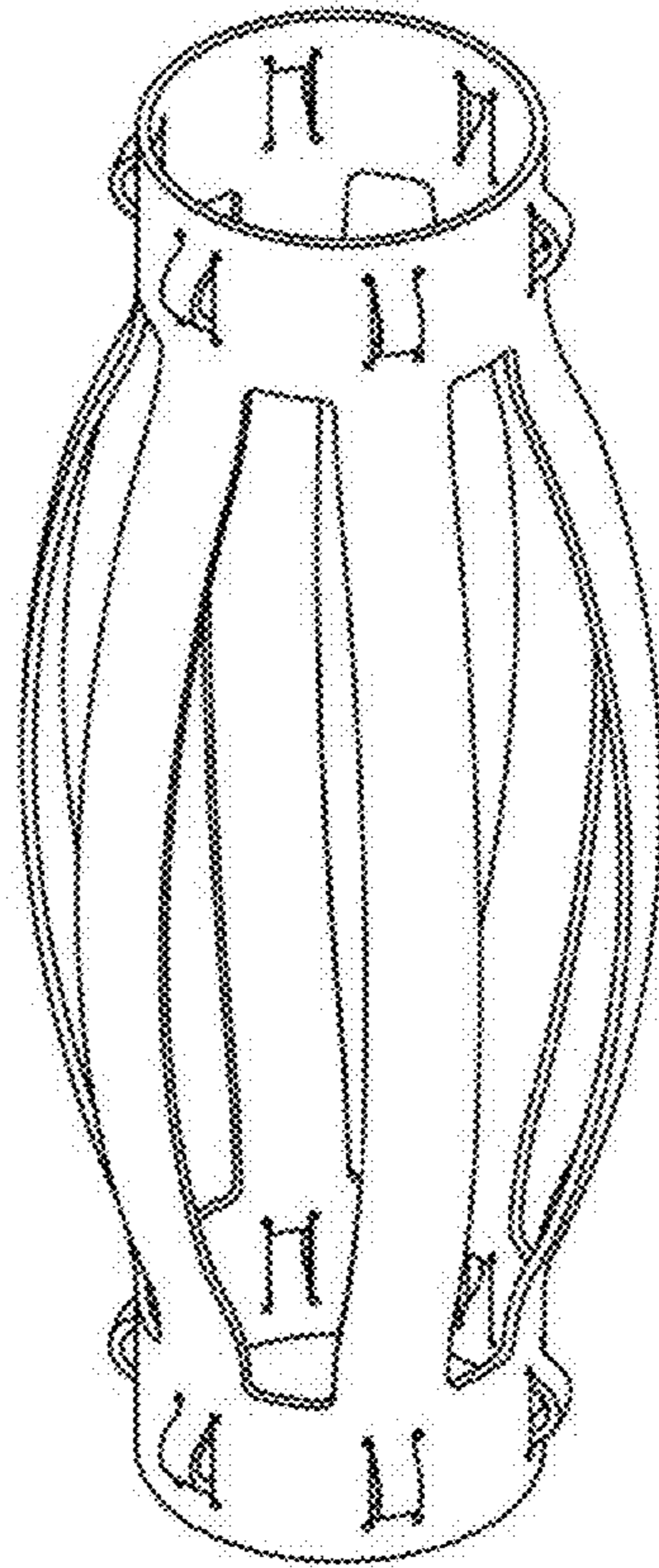


Figure 24