



US00D851130S

(12) **United States Design Patent**
Mahieux

(10) **Patent No.:** **US D851,130 S**
(45) **Date of Patent:** **** Jun. 11, 2019**

(54) **METERING PUMP**

(71) Applicant: **DOSATRON INTERNATIONAL,**
Tresses, Bordeaux (FR)

(72) Inventor: **Richard Mahieux,** Cursan (FR)

(73) Assignee: **DOSATRON INTERNATIONAL,**
Bordeaux (FR)

(**) Term: **15 Years**

(21) Appl. No.: **29/636,374**

(22) Filed: **Feb. 8, 2018**

(30) **Foreign Application Priority Data**

Aug. 16, 2017 (EM) 004149748-0002

(51) **LOC (11) Cl.** **15-02**

(52) **U.S. Cl.**
USPC **D15/7**

(58) **Field of Classification Search**
USPC D15/7-9; D23/225, 231, 232
CPC F02M 37/04; F02M 37/14; F04B 53/92;
F04B 1/005; F04D 13/06; F04D 29/22;
F04D 29/046; F04D 29/2266
See application file for complete search history.

(56) **References Cited**

U.S. PATENT DOCUMENTS

D339,143 S *	9/1993	Whitley, II	D15/7
D401,944 S *	12/1998	Campbell	D15/7
D440,231 S *	4/2001	Craford	D15/7
D614,203 S *	4/2010	Distler	D15/7
D649,164 S *	11/2011	Cook	D15/7

D678,338 S *	3/2013	O'Shea	D15/7
D691,178 S *	10/2013	Lambinet	D15/7
D691,179 S *	10/2013	Charriere	D15/7
D725,679 S *	3/2015	Charriere	D15/7
D729,848 S *	5/2015	Charriere	D15/7
D752,648 S *	3/2016	Kopel	D15/7
D752,649 S *	3/2016	Lins	D15/7
D753,188 S *	4/2016	Kopel	D15/7
D769,332 S *	10/2016	Varini	D15/7
D769,943 S *	10/2016	Charriere	D15/7
D828,401 S *	9/2018	Leggett	D15/7

* cited by examiner

Primary Examiner — Khawaja Anwar
(74) *Attorney, Agent, or Firm* — Wenderoth, Lind & Ponack, L.L.P.

(57) **CLAIM**

The ornamental design for a metering pump, as shown and described.

DESCRIPTION

The file of this patent contains at least one drawing/photograph executed in color. Copies of this patent with color drawing(s)/photograph(s) will be provided by the Office upon request and payment of the necessary fee.

FIG. 1 is a front view of the design;
FIG. 2 is a rear view of the design;
FIG. 3 is a top view of the design;
FIG. 4 is a bottom view of the design;
FIG. 5 is a right side view of the design;
FIG. 6 is a left side view of the design; and,
FIG. 7 is a perspective view of the design.

1 Claim, 7 Drawing Sheets
(7 of 7 Drawing Sheet(s) Filed in Color)

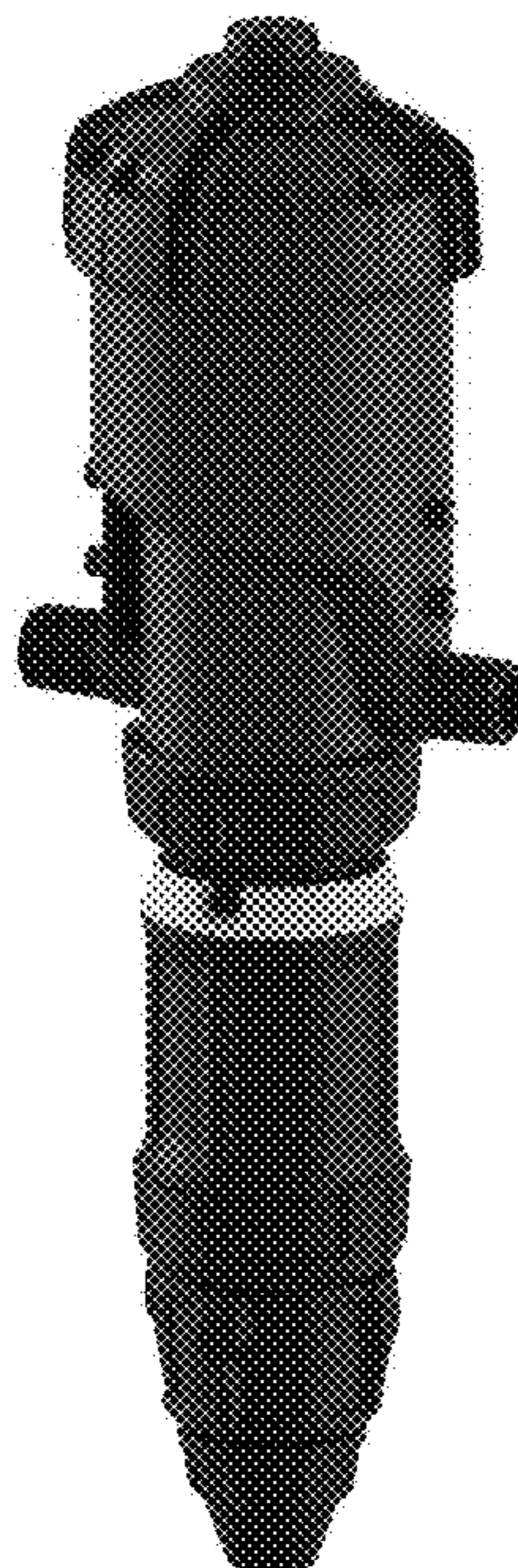


Fig. 1



Fig. 2

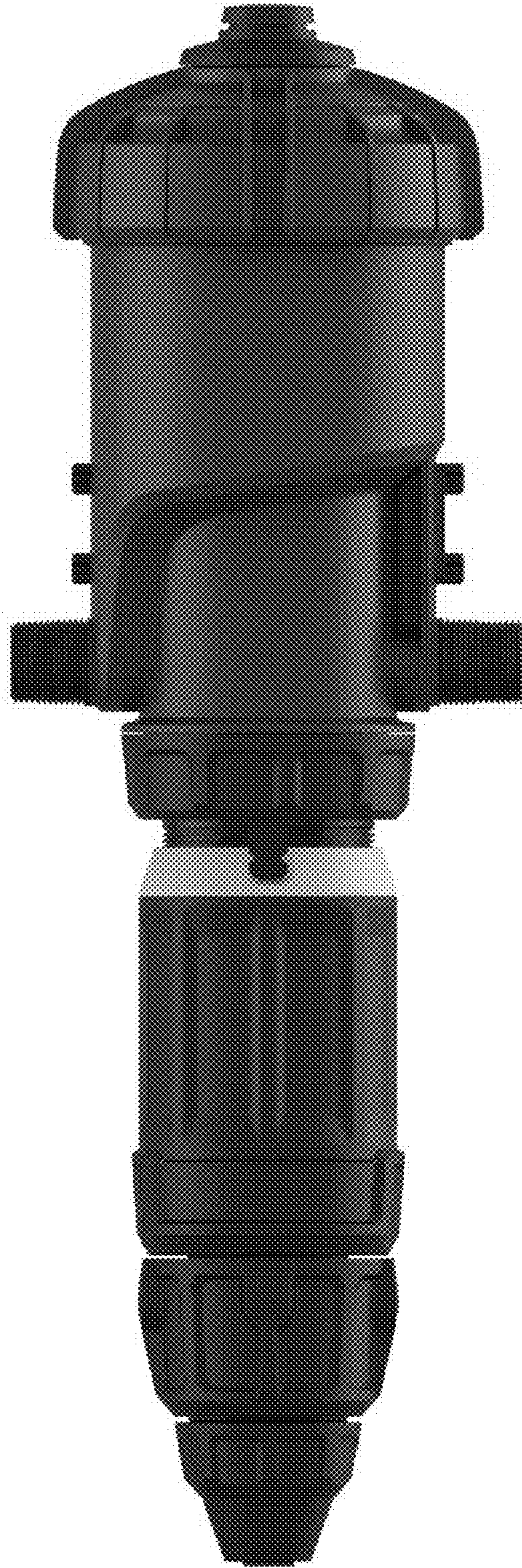


Fig. 3

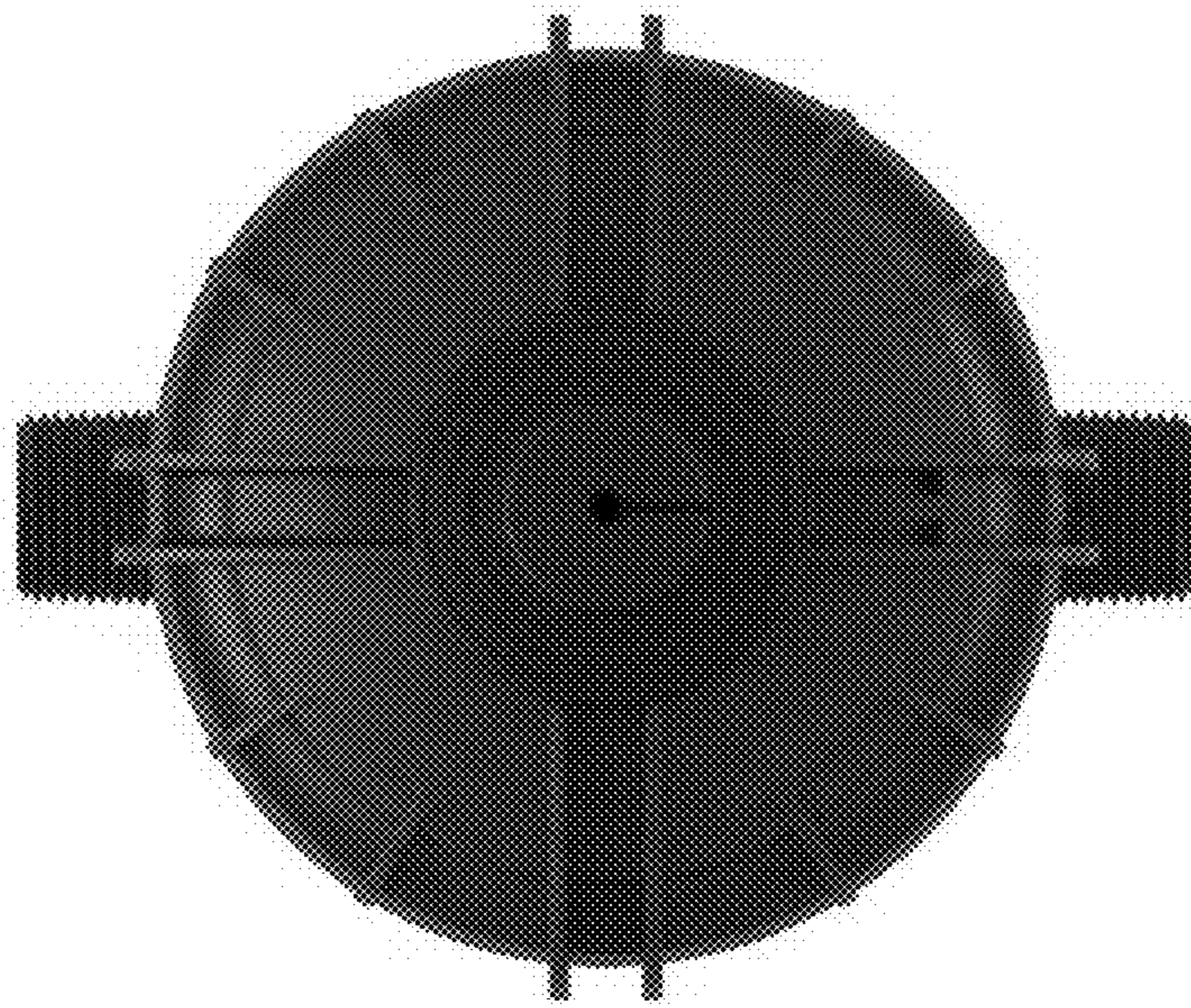


Fig. 4

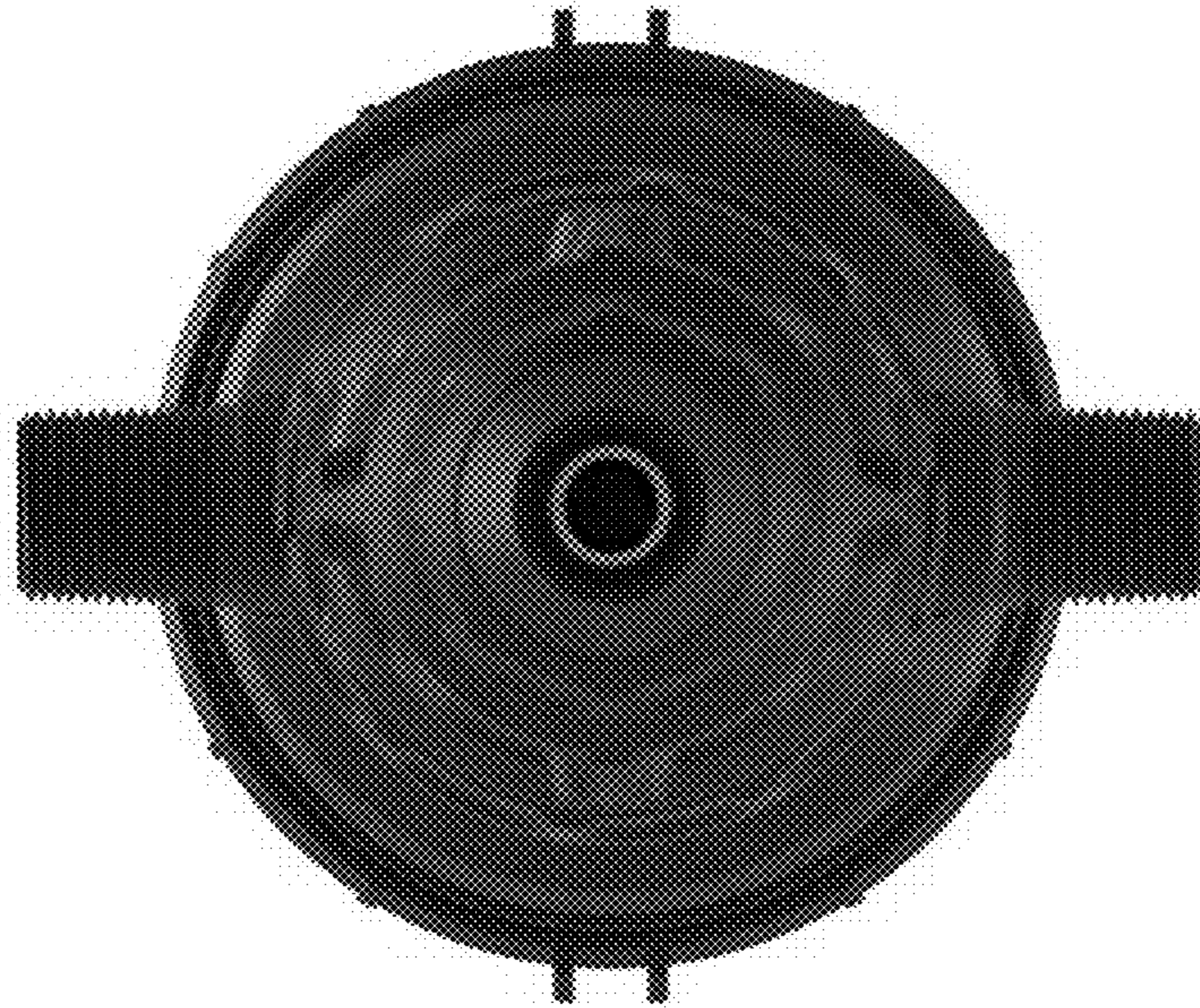


Fig. 5



Fig. 6



Fig. 7

