



US00D851129S

(12) **United States Design Patent**
Shurdim

(10) **Patent No.:** **US D851,129 S**
(45) **Date of Patent:** **** Jun. 11, 2019**

(54) **INTAKE MANIFOLD**

- (71) Applicant: **Oliver Matt Shurdim**, Anaheim, CA (US)
- (72) Inventor: **Oliver Matt Shurdim**, Anaheim, CA (US)
- (**) Term: **15 Years**
- (21) Appl. No.: **29/599,996**
- (22) Filed: **Apr. 7, 2017**
- (51) **LOC (11) Cl.** **15-01**
- (52) **U.S. Cl.**
USPC **D15/5**
- (58) **Field of Classification Search**
USPC D15/1-5
CPC F02M 35/10091; F02M 35/10222; F02M 35/10295; F02M 35/10321; F02M 35/10262; F02M 35/104; F02M 35/10354; F02M 35/116; F02M 35/10052; F02M 35/10078; F02M 35/10144; F02M 35/10347; F02M 26/32; F02M 26/41; F02M 26/53; F02C 7/04; F04D 29/4213; F04D 29/441; F04D 29/541; F04D 29/667; F02B 75/22
See application file for complete search history.

(56) **References Cited**

U.S. PATENT DOCUMENTS

D444,479 S *	7/2001	Pace	D15/5
6,513,507 B2 *	2/2003	Balekai	F02B 75/22 123/568.12
D541,302 S *	4/2007	Martin, III	D15/5
2002/0023630 A1 *	2/2002	Balekai	F02B 75/22 123/568.12
2007/0186546 A1 *	8/2007	Midgley	F01N 3/2853 60/302
2017/0096975 A1 *	4/2017	Shurdim	F02M 35/104

OTHER PUBLICATIONS

Diesel Dr. 6.0 Ported Manifold Wayback machine dated product Jan. 7, 2015 <http://www.powerstrokedoctor.com/store/intake-manifold>.*

Youtube Channel; Lubeowner Inftake Manifolds published on Aug. 31, 2012 <https://www.youtube.com/watch?v=O6vPRQyx1zl>.*

Youtube Channel; Jerry Bruley Z-Max Ported Intake Manifold for 6.4l Powerstrook Diesel published on Nov. 24, 2012 <https://www.youtube.com/watch?v=G0XGT7SWYfc>.*

* cited by examiner

Primary Examiner — T Chase Nelson
Assistant Examiner — Ania Aman
 (74) *Attorney, Agent, or Firm* — Cionca IP Law P.C.;
 Marin Cionca

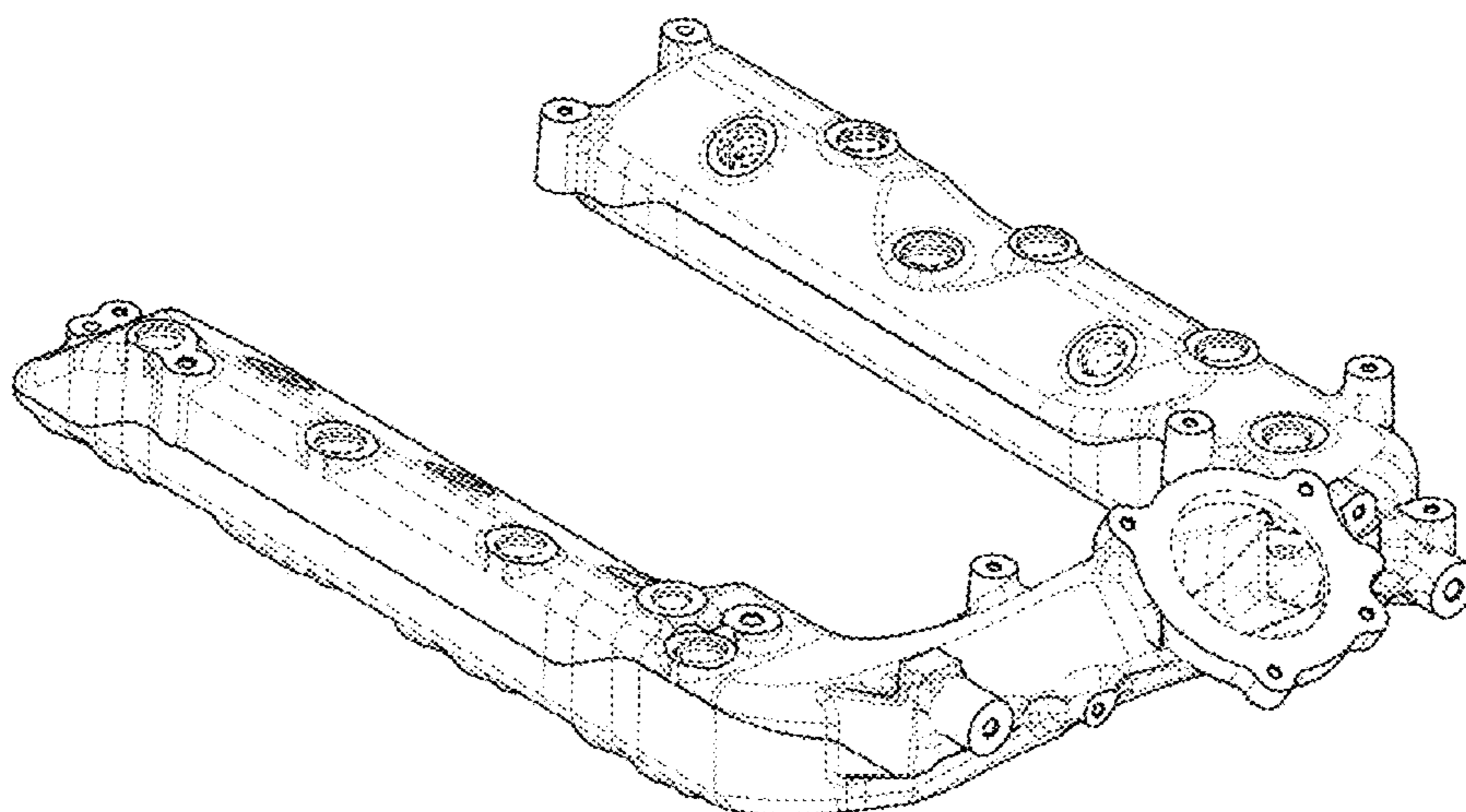
(57) **CLAIM**

The ornamental design for an intake manifold, as shown and described.

DESCRIPTION

FIG. 1 is a top plan view of an intake manifold showing the new design;
 FIG. 2 is a rear elevation view thereof;
 FIG. 3 is a front elevation view thereof;
 FIG. 4 is a right side elevation view thereof;
 FIG. 5 is a top right side perspective view thereof;
 FIG. 6 is a top left side perspective view thereof;
 FIG. 7 is a bottom plan view thereof;
 FIG. 8 is a left perspective view thereof; and,
 FIG. 9 is a bottom right perspective view thereof.
 The broken lines depict environmental subject matter that forms no part of the claimed design.

1 Claim, 7 Drawing Sheets



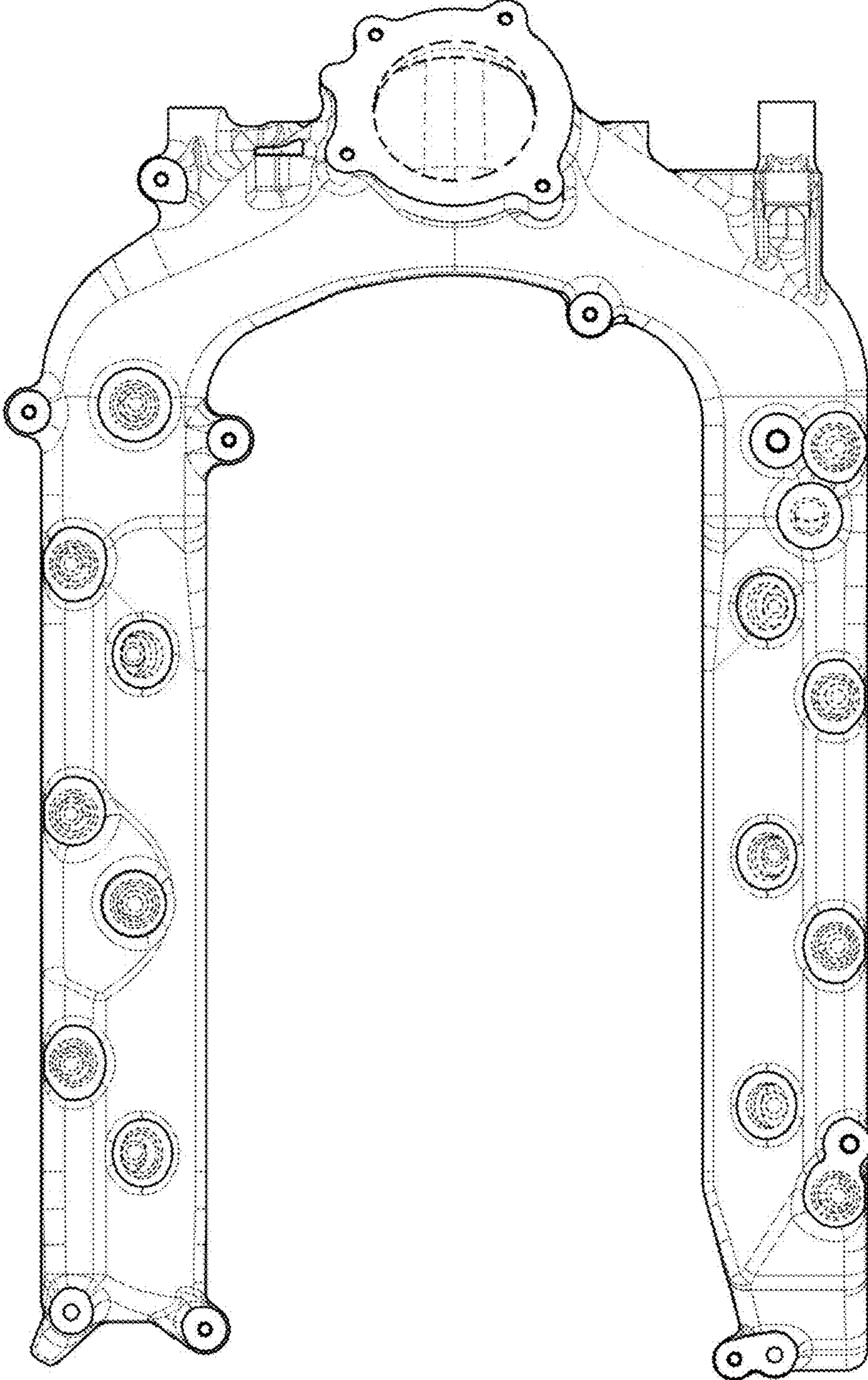


FIG. 1

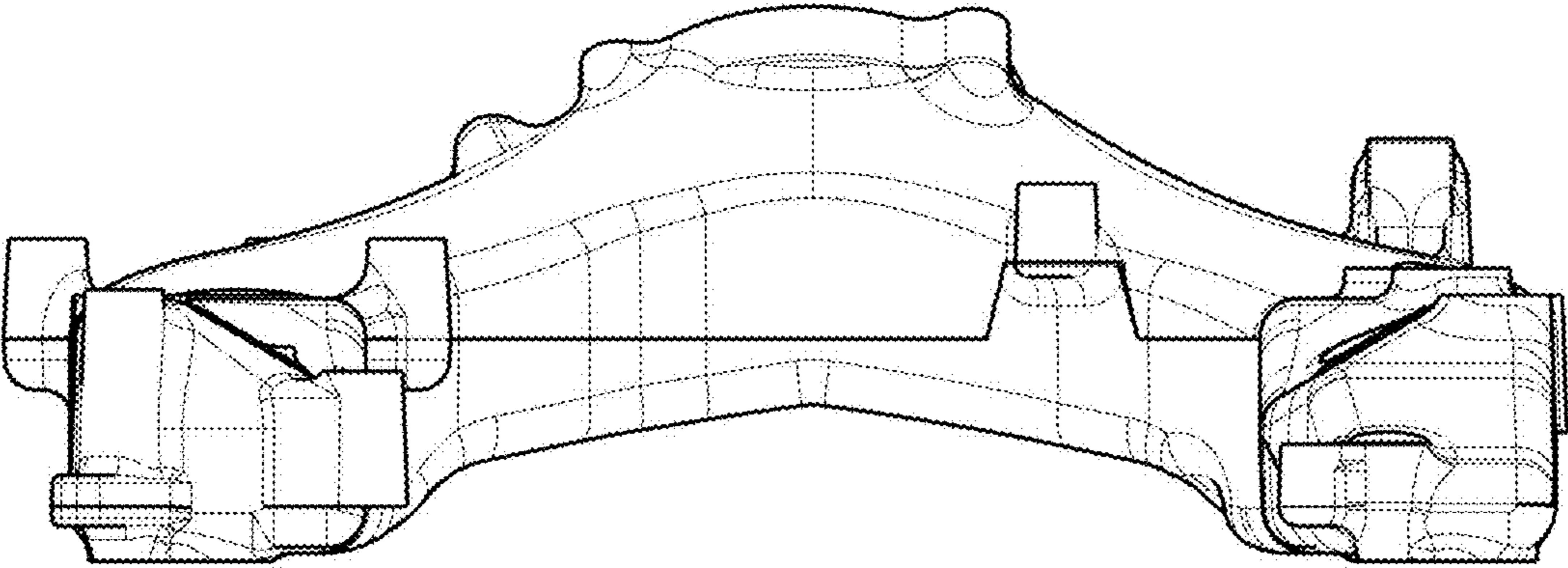


FIG. 2

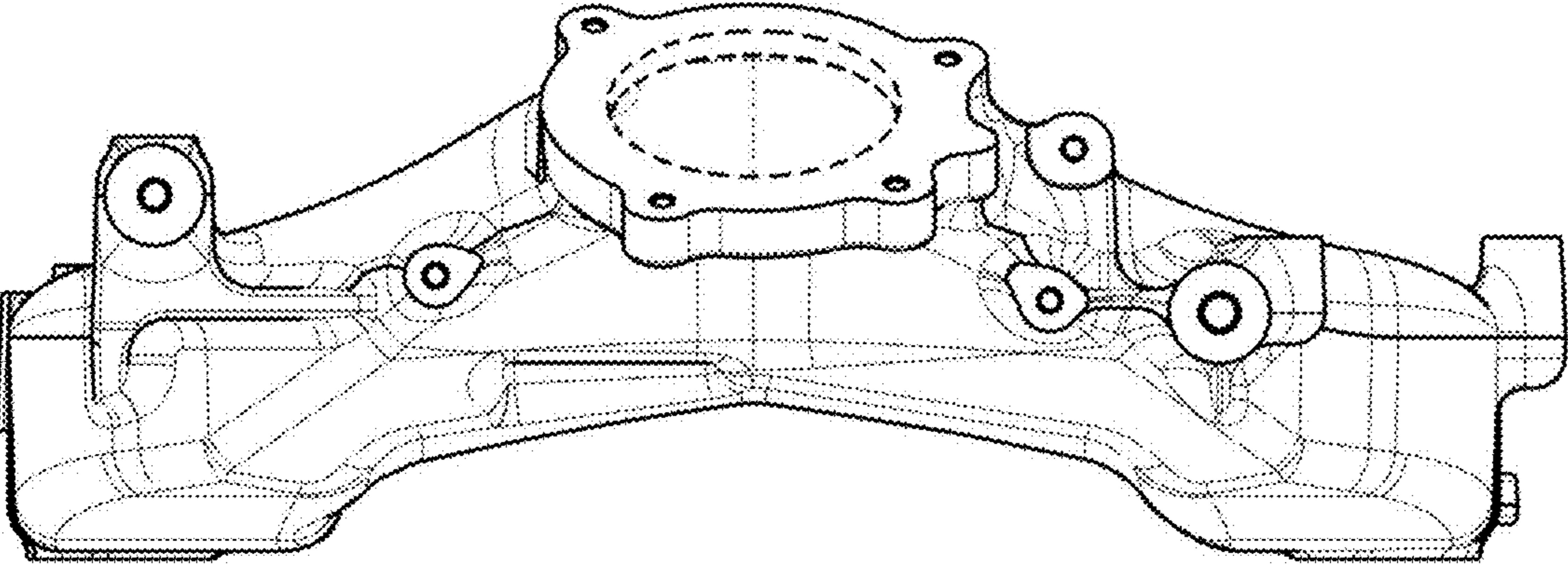


FIG. 3

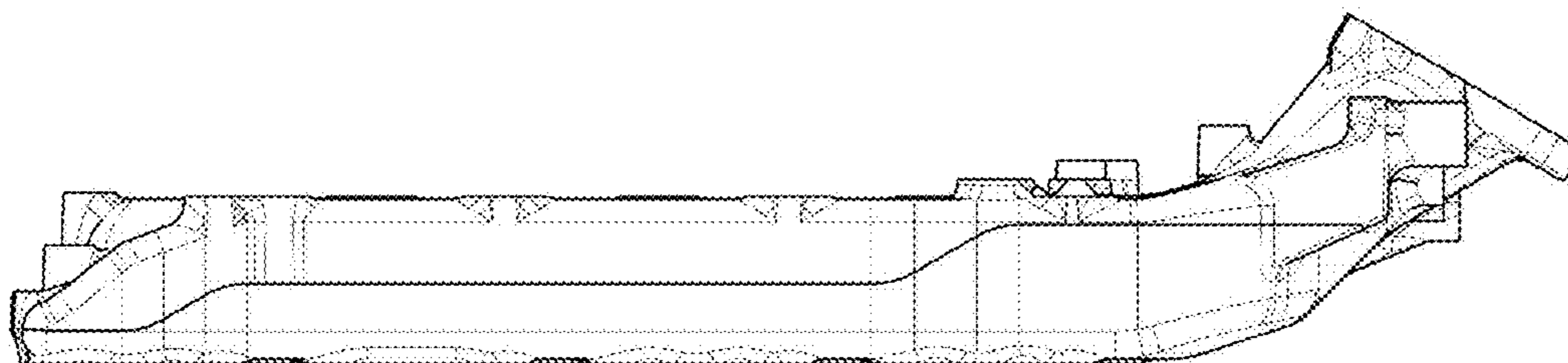


FIG. 4

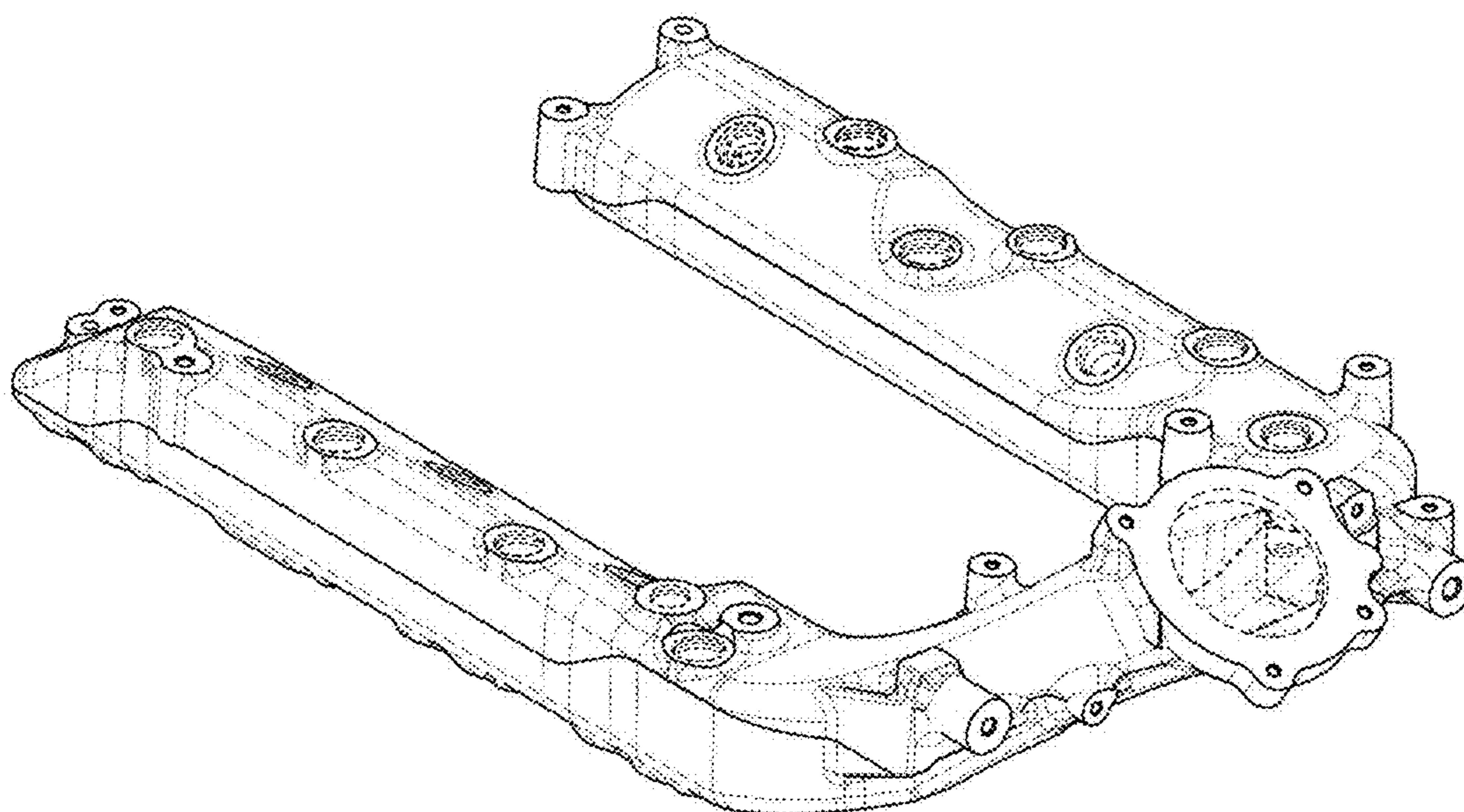


FIG. 5

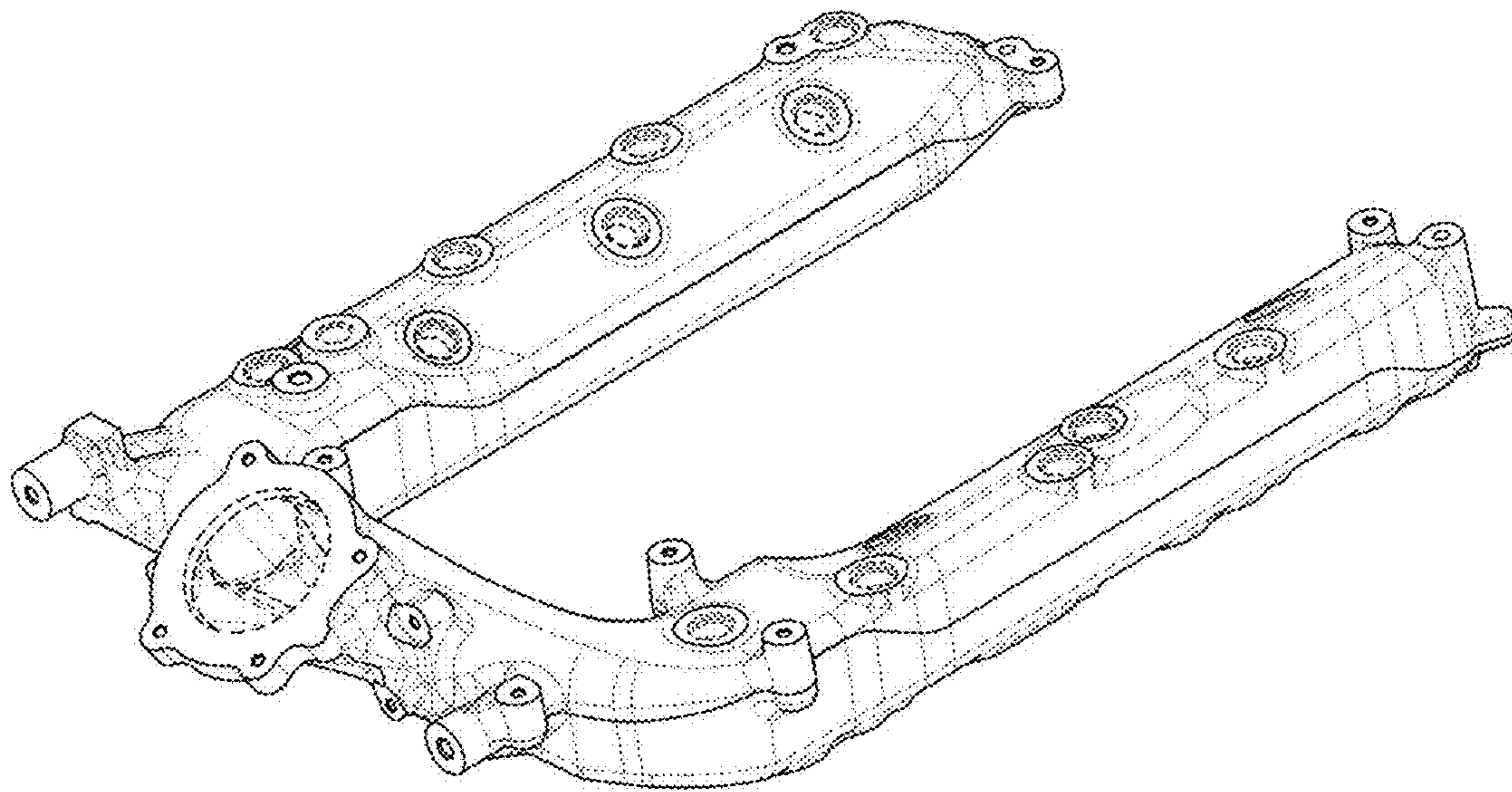


FIG. 6

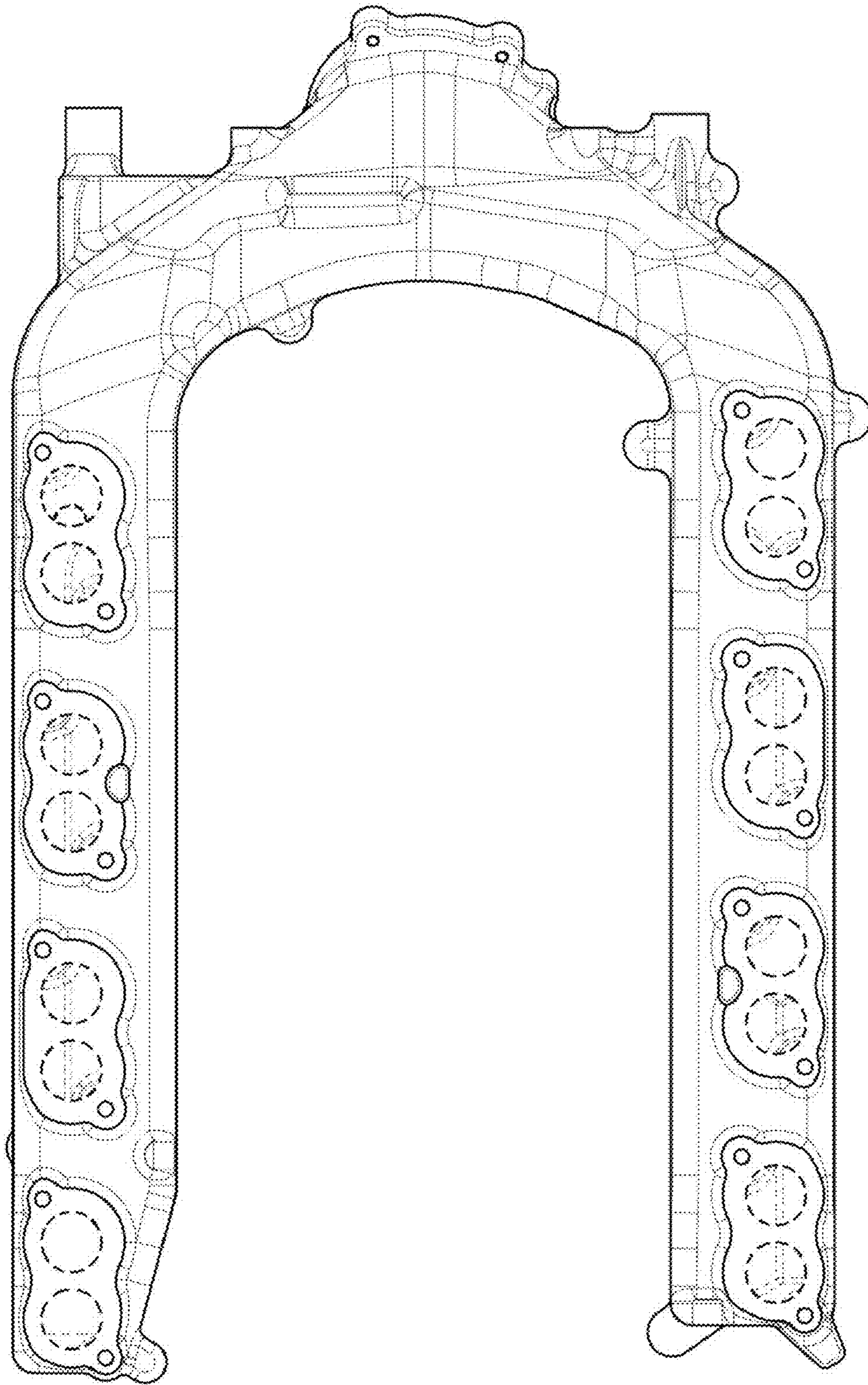


FIG. 7

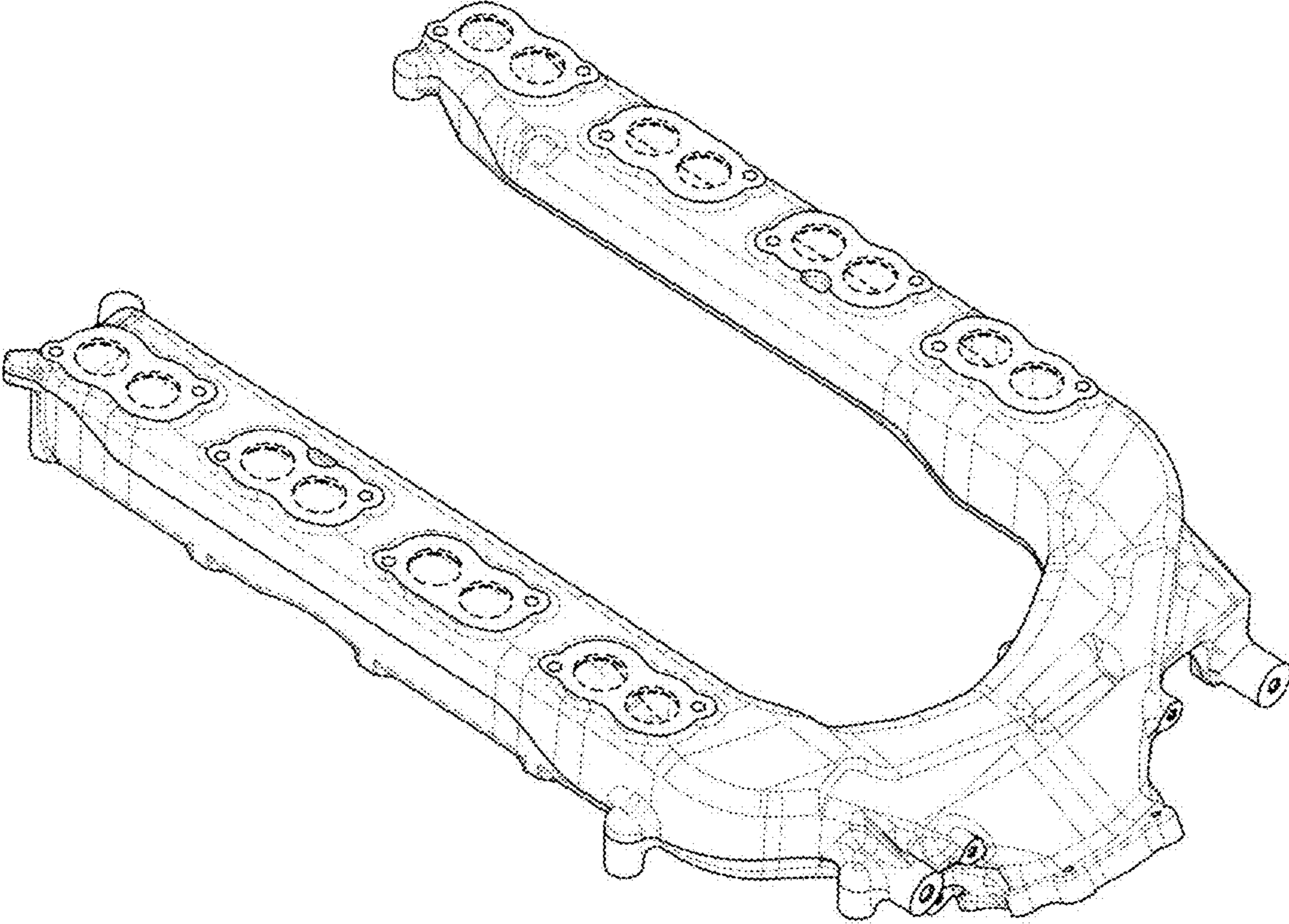


FIG. 8

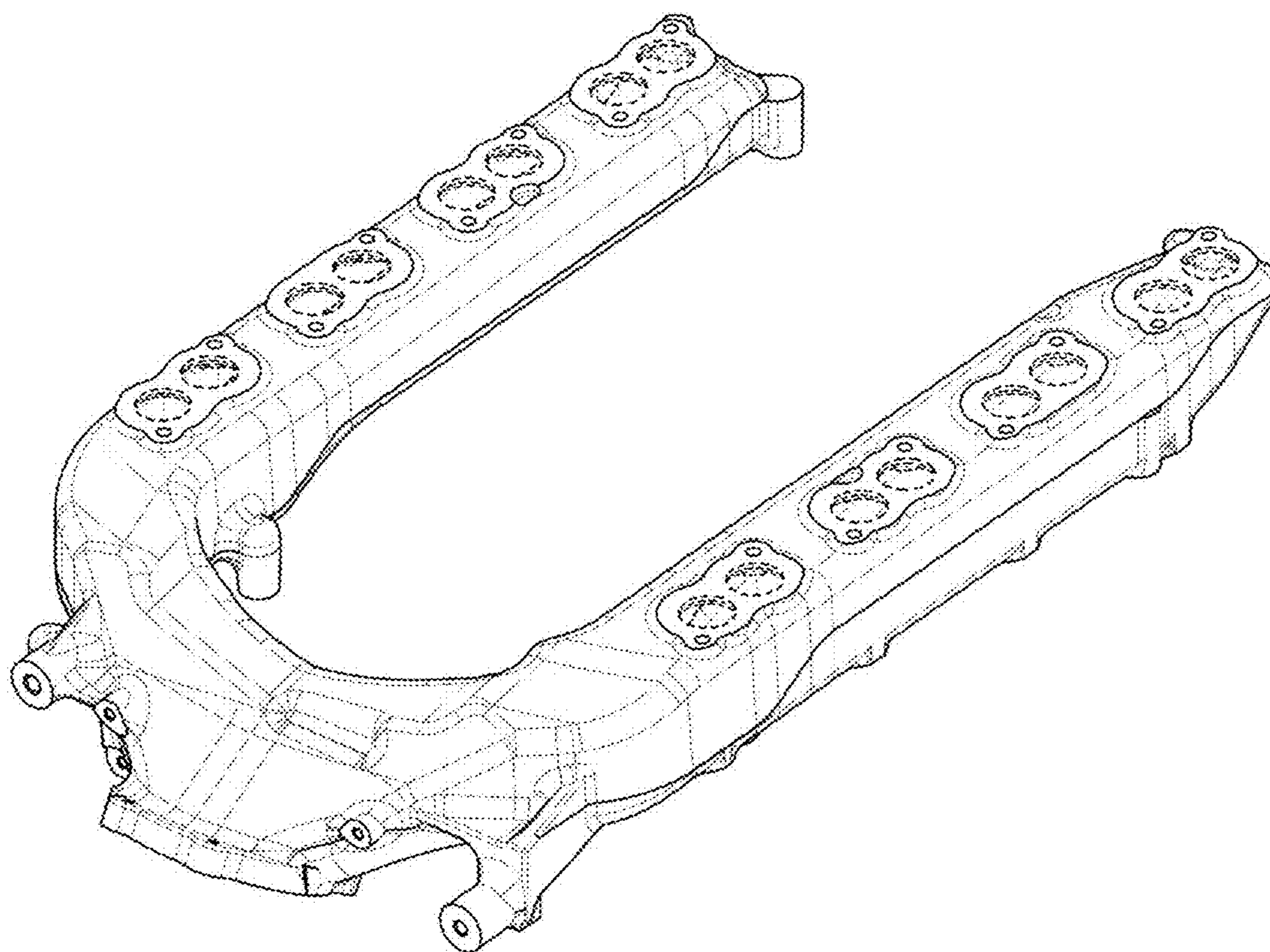


FIG. 9