



US00D851092S

(12) **United States Design Patent** (10) **Patent No.:** **US D851,092 S**
Tan (45) **Date of Patent:** **** Jun. 11, 2019**

(54) **TABLET CASE**

(71) Applicant: **Fengqin Tan**, Anqing (CN)

(72) Inventor: **Fengqin Tan**, Anqing (CN)

(**) Term: **15 Years**

(21) Appl. No.: **29/668,670**

(22) Filed: **Nov. 1, 2018**

(51) **LOC (11) Cl.** **14-02**

(52) **U.S. Cl.**
USPC **D14/440**

(58) **Field of Classification Search**
USPC D14/440, 447, 250; 206/45.23, 320,
206/45.2; 361/679.55; 294/25; 224/218
CPC ... G06F 1/1628; G06F 1/1626; A47B 23/044;
H04B 1/3888
See application file for complete search history.

(56) **References Cited**

U.S. PATENT DOCUMENTS

D747,321 S *	1/2016	London	D14/440
D806,063 S	12/2017	Armstrong		
D811,412 S *	2/2018	McCurdy	D14/440
D830,367 S *	10/2018	Chang	D14/440
D830,368 S *	10/2018	Zhang	D14/440
D837,219 S *	1/2019	Gao	D14/440
2011/0267748 A1 *	11/2011	Lane	A45F 5/00 361/679.01
2015/0009610 A1 *	1/2015	London	G06F 1/163 361/679.03
2015/0201743 A1 *	7/2015	Erickson-Davis	A45F 5/00 224/218

OTHER PUBLICATIONS

“EXN-SS-T560 | Samsung Galaxy Tab E 9.6 T560 | Ultra 3 Layers Shockproof Rugged Case With Hand Strap and Kick-Stand”, [retrieved Jan. 4, 2019]. Retrieved from Internet , <https://www.armor-x.com/exn-ss-t560-samsung-galaxy-tab-e-9-6-t560-ultra-3-layers-shockproof-rugged-case-with-hand-strap-and-kick-stand.html>.

* cited by examiner

Primary Examiner — Cynthia R Underwood

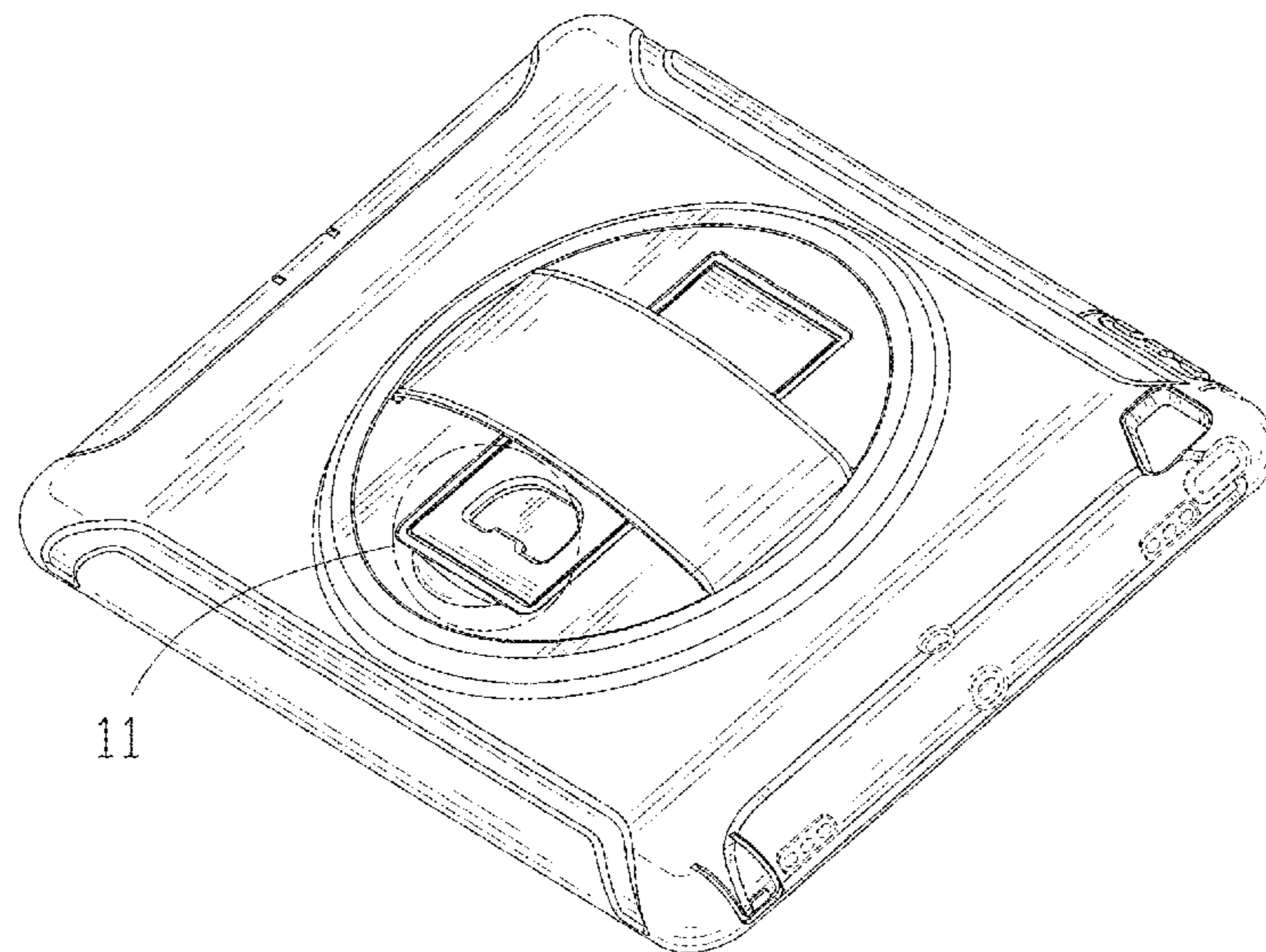
(57) **CLAIM**

The ornamental design for a tablet case, as shown and described.

DESCRIPTION

FIG. 1 is a perspective view of a tablet case showing my new design;
FIG. 2 is another perspective view thereof;
FIG. 3 is a front elevational view thereof;
FIG. 4 is a rear elevational view thereof;
FIG. 5 is a left side elevational view thereof;
FIG. 6 is a right side elevational view thereof;
FIG. 7 is a top plan view thereof;
FIG. 8 is a bottom plan view thereof;
FIG. 9 is another perspective view thereof where a kickstand is in an open state;
FIG. 10 is an enlarged view of portion 10 in FIG. 1 thereof; and,
FIG. 11 is an enlarged view of portion 11 in FIG. 2 thereof. The broken lines in the drawings are for the purpose of illustrating portions of the tablet case, which form no part of the claimed design.

1 Claim, 11 Drawing Sheets



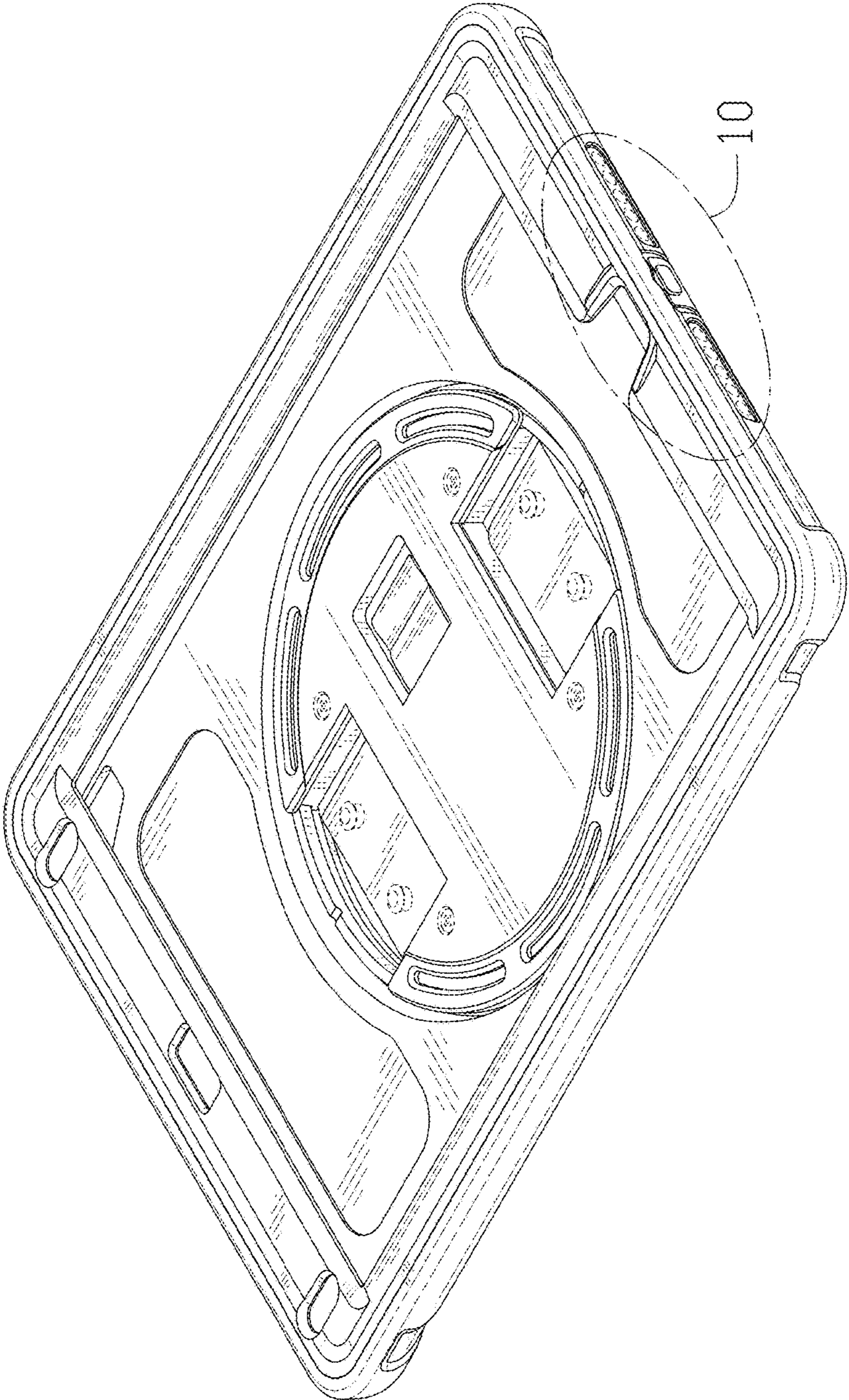


FIG. 1

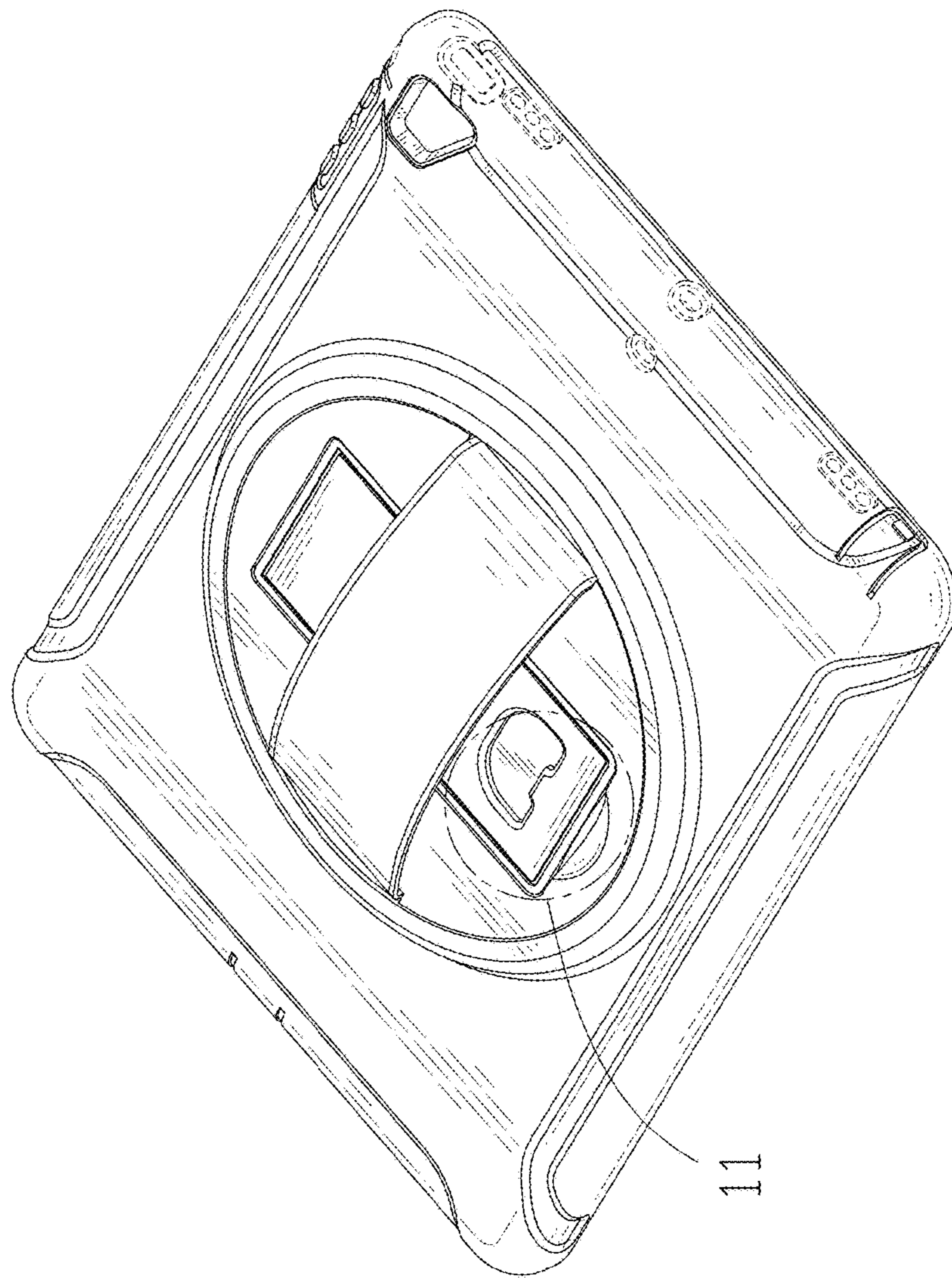


FIG. 2

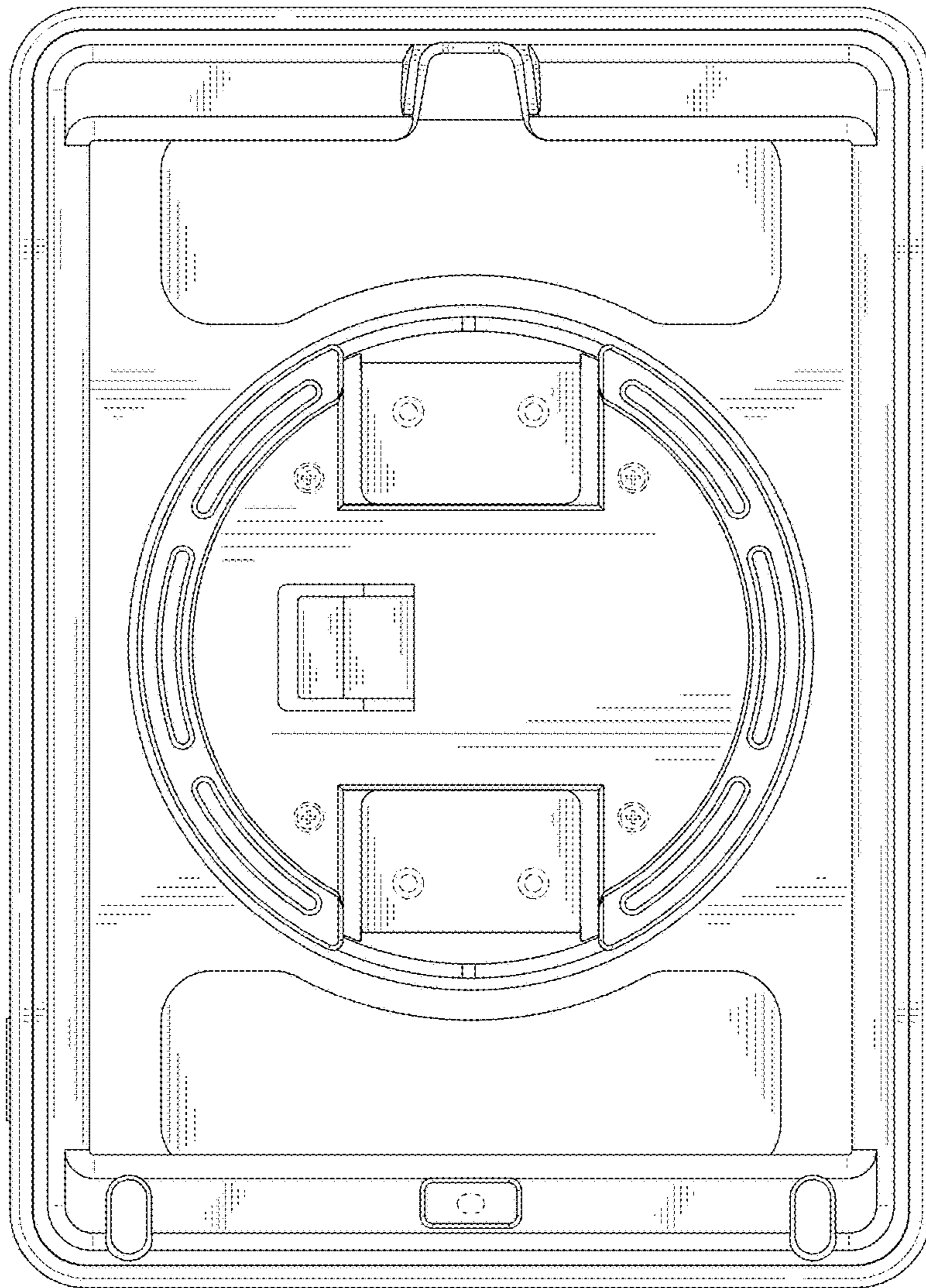


FIG. 3

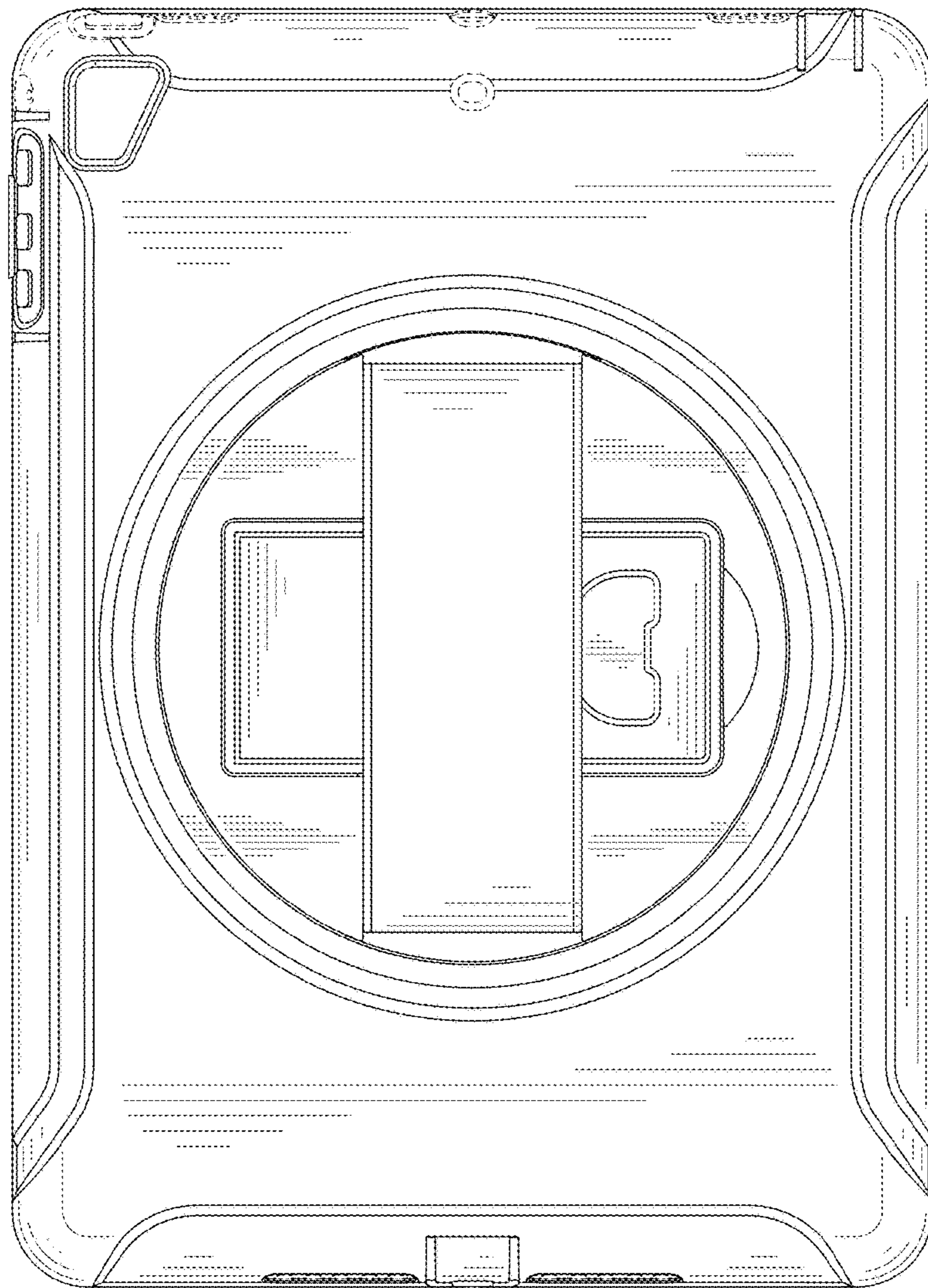


FIG. 4

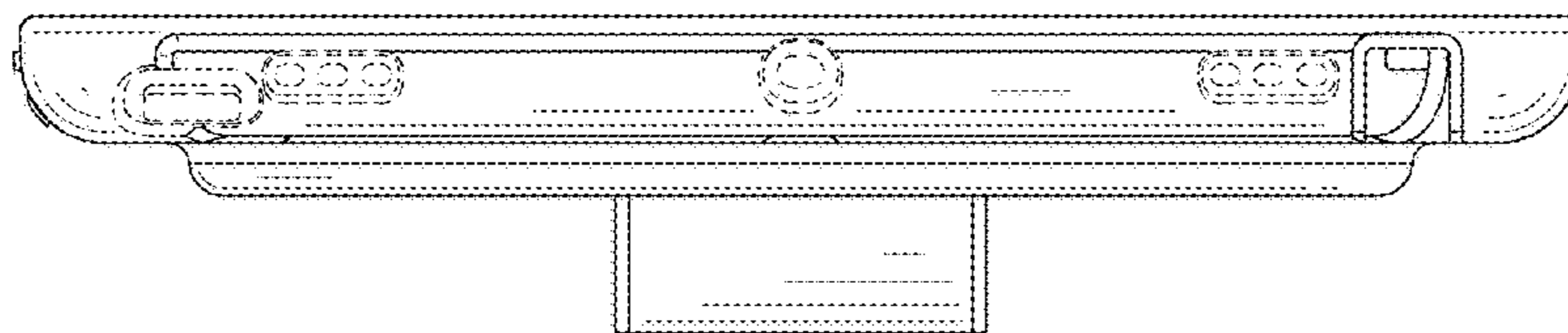


FIG. 5

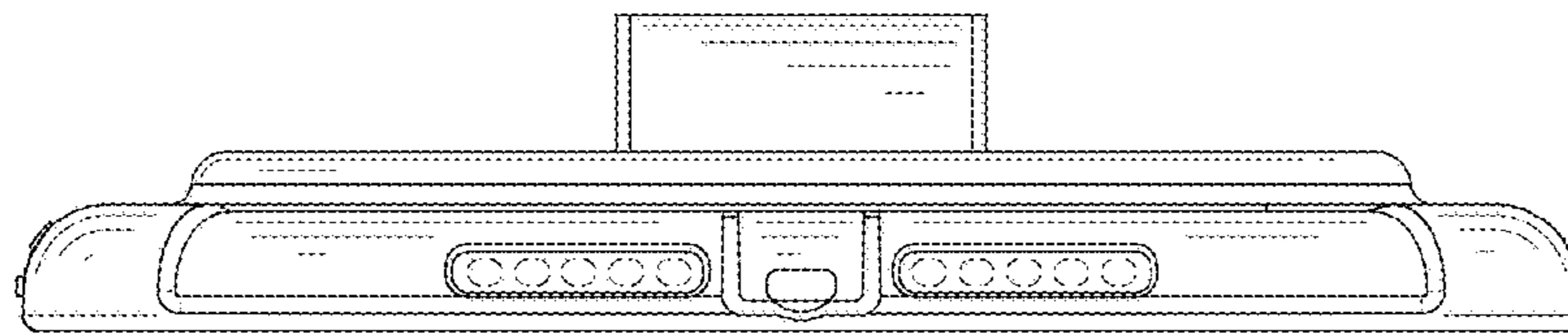


FIG. 6

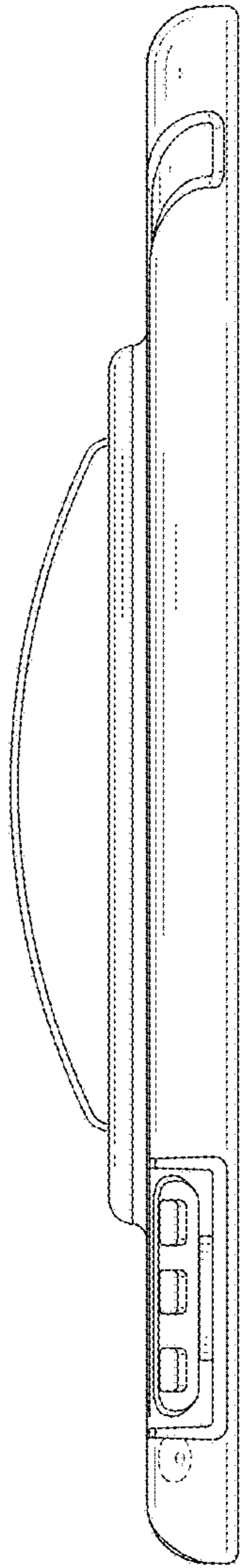


FIG. 7

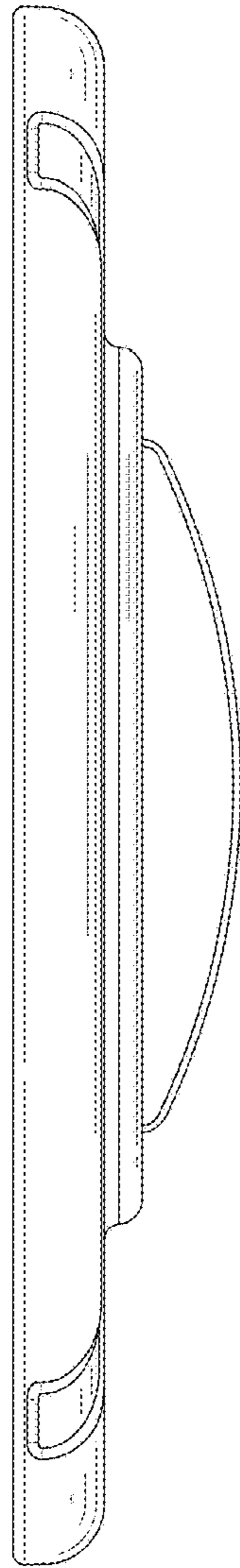


FIG. 8

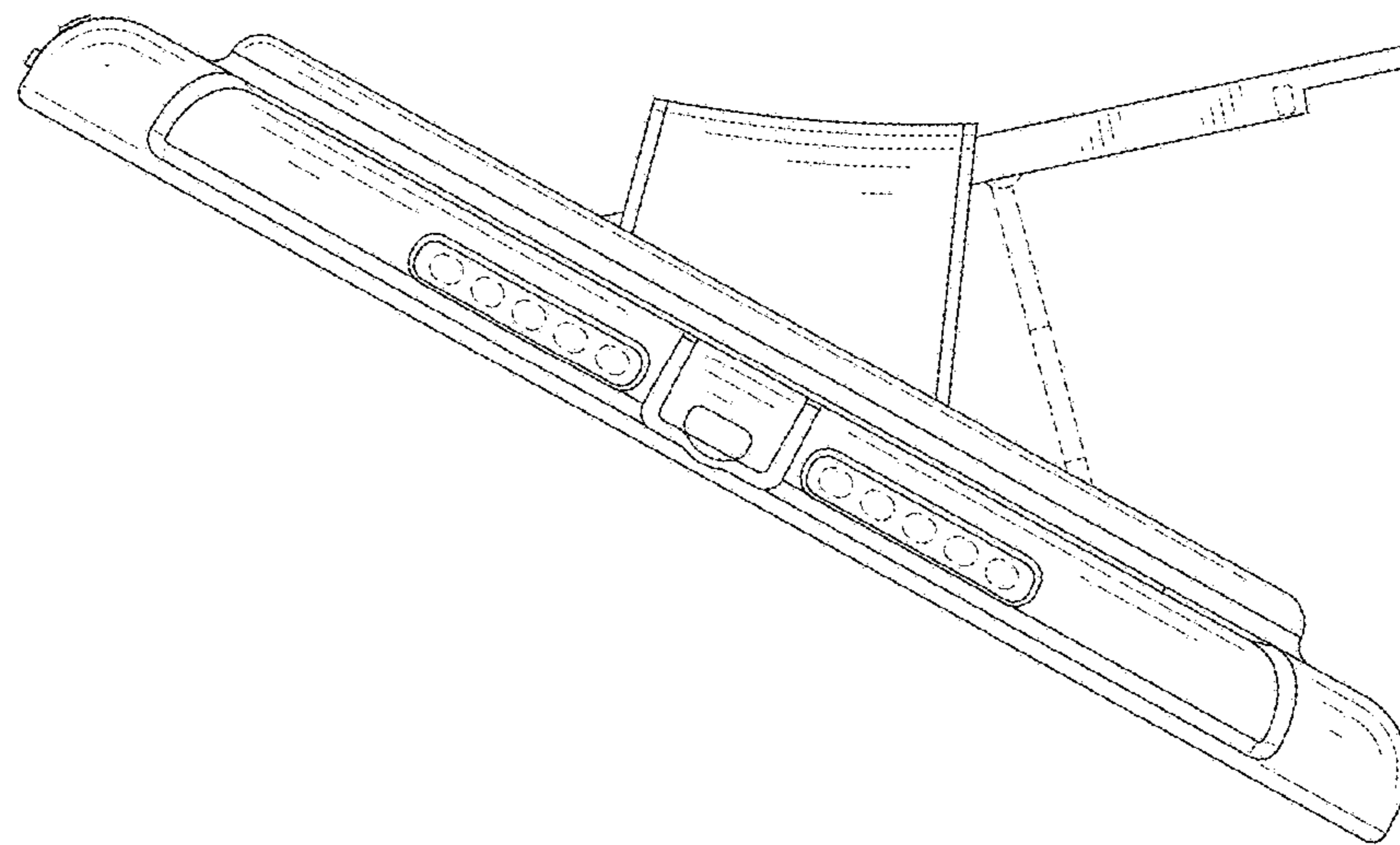


FIG. 9

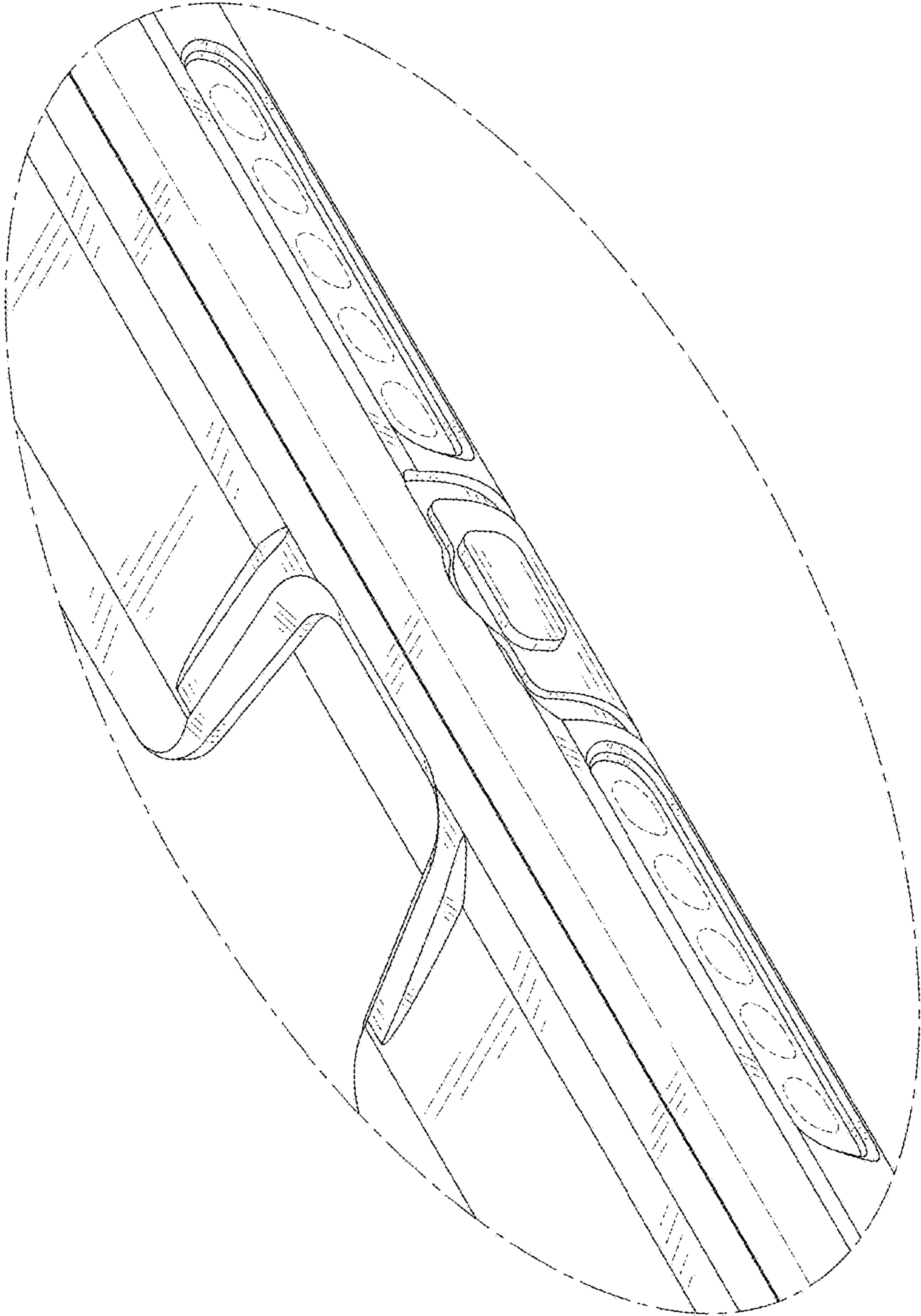


FIG. 10



FIG. 11