



US00D851091S

(12) **United States Design Patent**  
**Lin et al.**

(10) **Patent No.:** **US D851,091 S**  
(45) **Date of Patent:** **\*\* Jun. 11, 2019**

(54) **PORTION OF A CONNECTOR**  
(71) Applicant: **P-TWO INDUSTRIES INC.**, Taoyuan (TW)  
(72) Inventors: **Hsien-Chang Lin**, Taoyuan (TW); **Kuei-Tien Fu**, Taoyuan (TW)  
(73) Assignee: **P-TWO INDUSTRIES INC.**, Taoyuan (TW)  
(\*\*) Term: **15 Years**  
(21) Appl. No.: **29/627,034**  
(22) Filed: **Nov. 22, 2017**  
(30) **Foreign Application Priority Data**

Aug. 3, 2017 (TW) ..... 106304466

(51) **LOC (11) Cl.** ..... **14-02**

(52) **U.S. Cl.**  
USPC ..... **D14/433**

(58) **Field of Classification Search**  
USPC ..... D14/240, 242, 356, 358, 363, 365, 367, D14/370, 432, 437, 439, 498, 125, 366; D13/110, 199, 103, 159, 160, 184; 361/683, 684, 686, 724, 735, 737, 752  
CPC .... H01R 25/006; H01R 27/02; H01R 31/005; G06F 13/4022; G06F 13/382; G06F 1/1632; G06F 1/1684; G06F 1/20; G06F 1/1607

See application file for complete search history.

(56) **References Cited**

**U.S. PATENT DOCUMENTS**

6,761,573 B1 \* 7/2004 Chiu ..... H01R 12/79 439/260  
D506,200 S \* 6/2005 Shih ..... D14/433

D510,564 S \* 10/2005 Chiu ..... D13/147  
6,971,901 B2 \* 12/2005 Chiu ..... H01R 13/6273 439/329  
7,712,215 B2 \* 5/2010 Wang ..... H01R 12/79 29/874  
D729,806 S \* 5/2015 Park ..... D14/433  
D732,035 S \* 6/2015 Akana ..... D14/433  
D732,536 S \* 6/2015 Kang ..... D14/433  
9,306,336 B2 \* 4/2016 Chang ..... H01R 13/6471  
D781,294 S \* 3/2017 Schwalbach ..... D14/433  
D790,547 S \* 6/2017 Su ..... D14/433  
9,685,718 B1 \* 6/2017 Wang ..... H01R 12/52  
9,761,975 B1 \* 9/2017 Wang ..... H01R 12/716  
10,008,796 B1 \* 6/2018 Wang ..... H01R 12/721  
D835,109 S \* 12/2018 Chen ..... D14/433

\* cited by examiner

*Primary Examiner* — Austin Murphy

(74) *Attorney, Agent, or Firm* — Winston Hsu

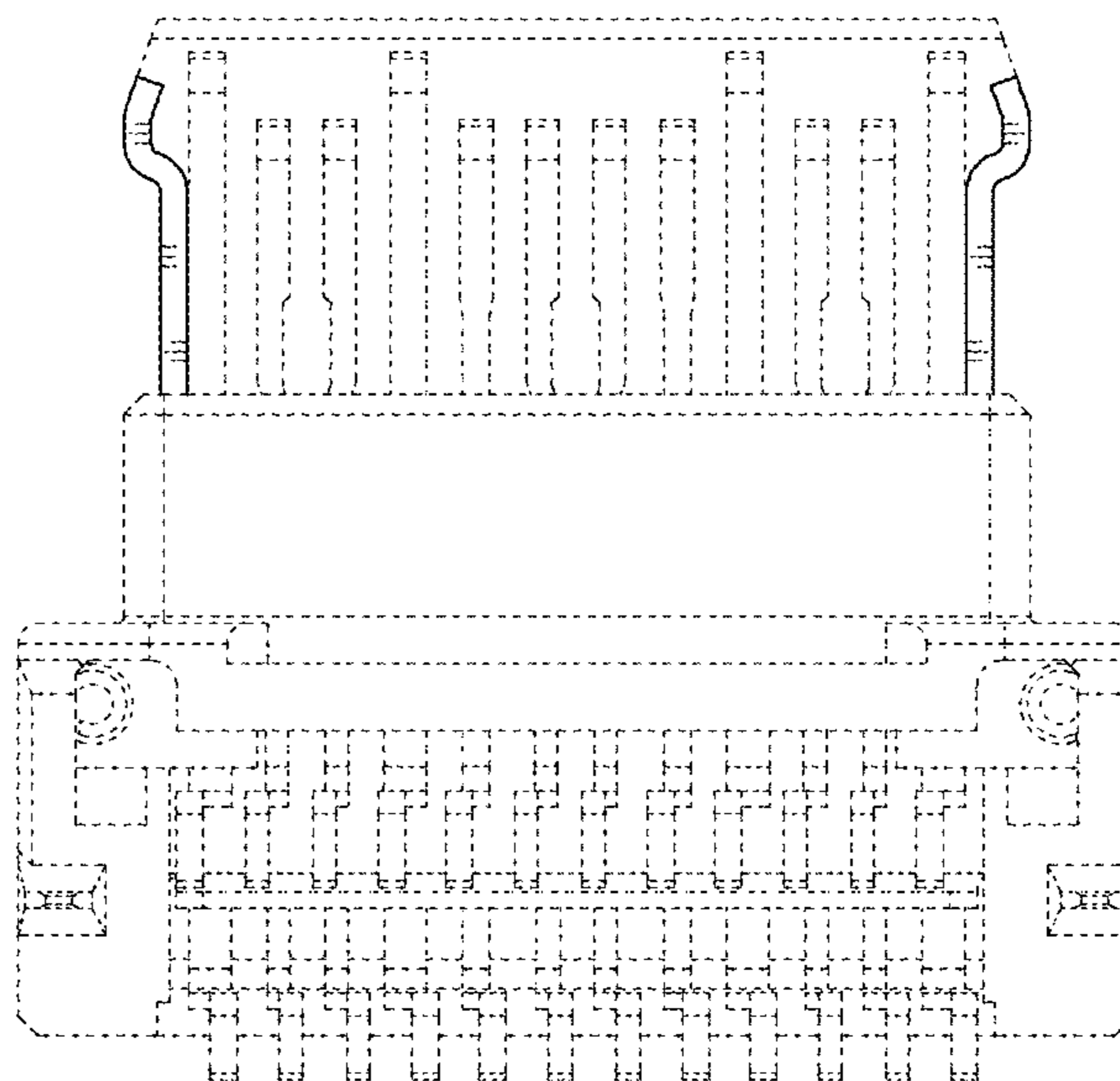
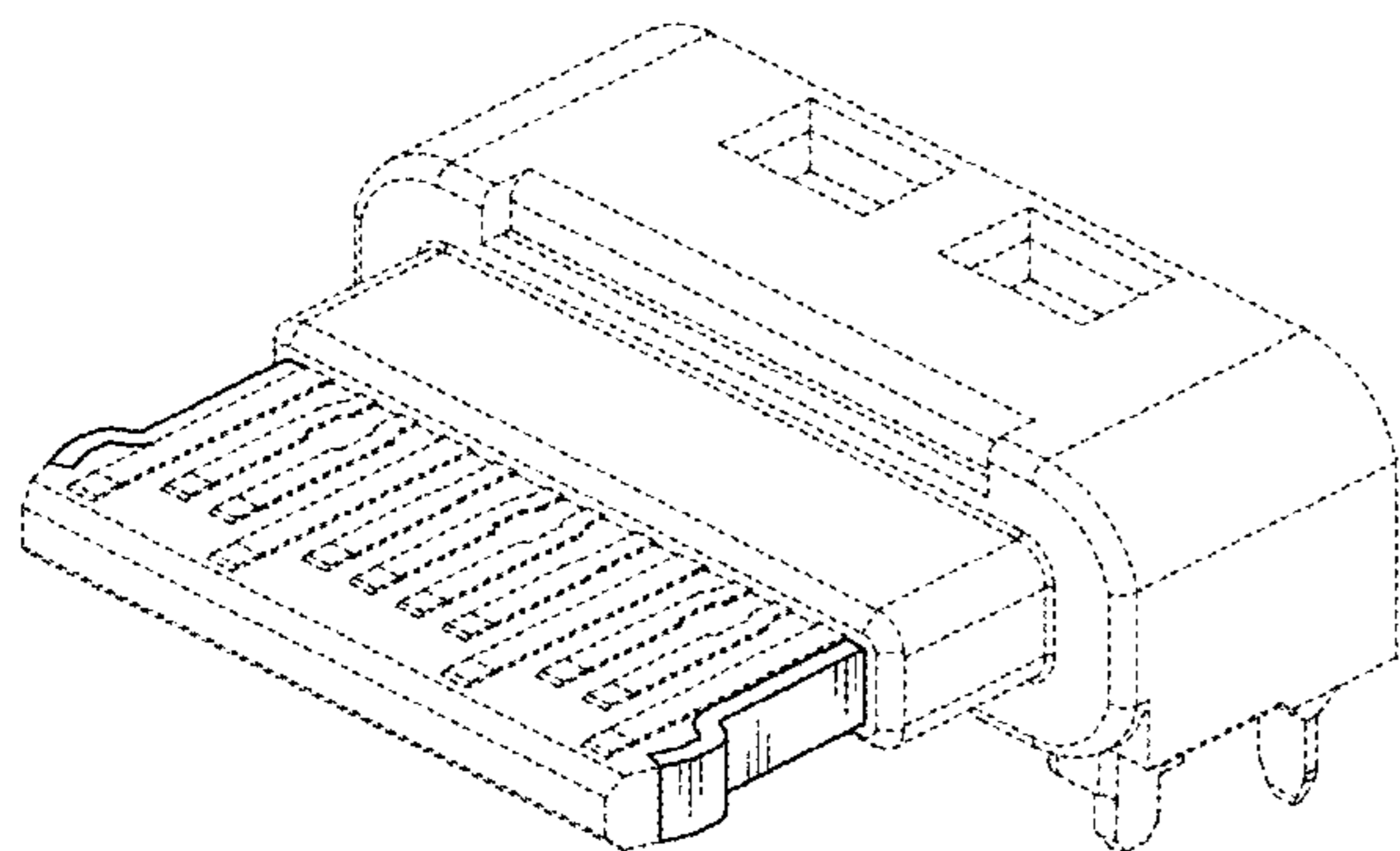
(57) **CLAIM**

The ornamental design for a portion of a connector, as shown and described.

**DESCRIPTION**

FIG. 1 is a perspective view of a portion of a connector showing our new design;  
FIG. 2 is a front view thereof;  
FIG. 3 is a rear view thereof;  
FIG. 4 is a left side view thereof;  
FIG. 5 is a right side view thereof;  
FIG. 6 is a top view thereof; and,  
FIG. 7 is a bottom view thereof.  
The broken lines depict portions of the portion of a connector that form no part of the claimed design.

**1 Claim, 7 Drawing Sheets**



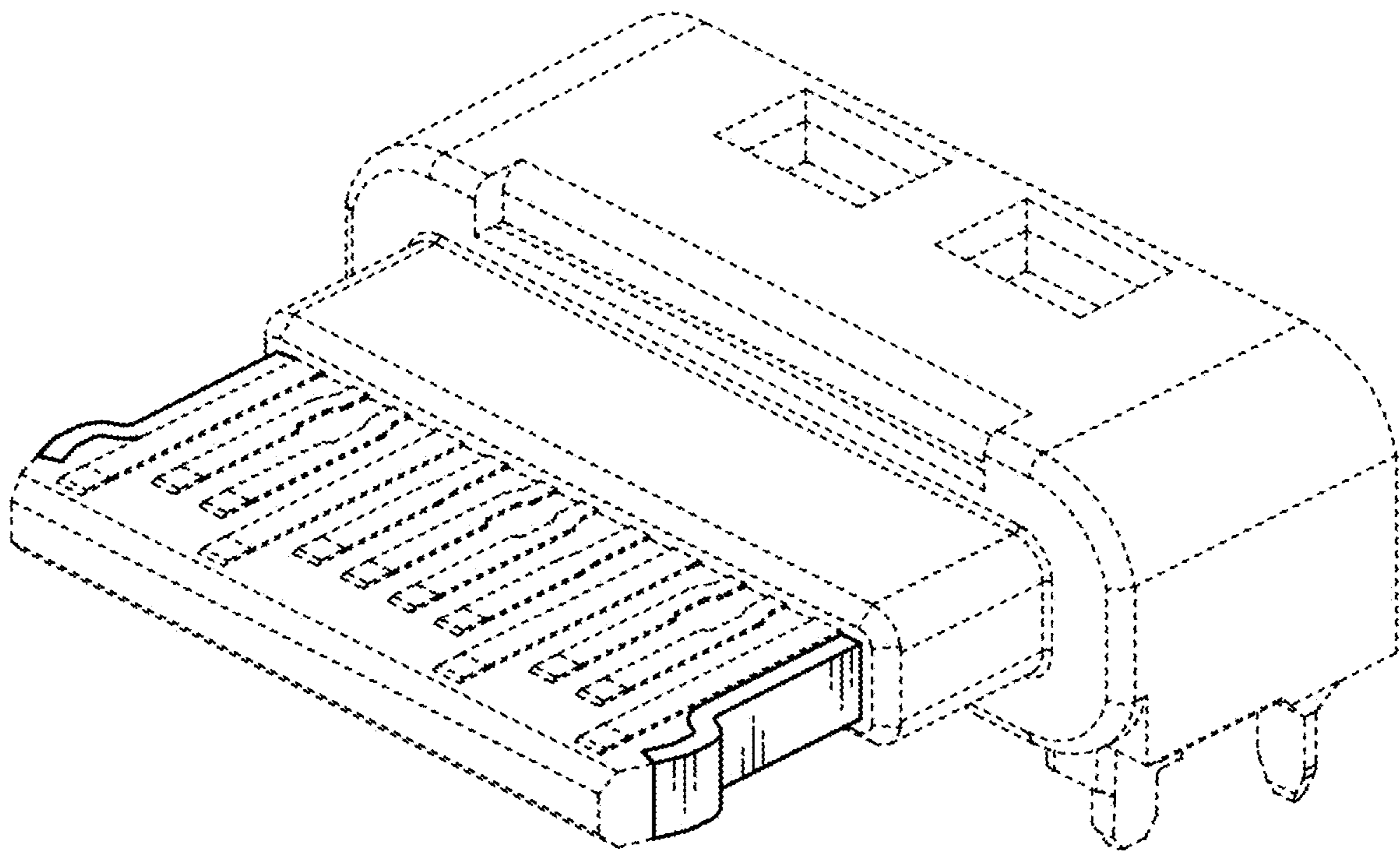


FIG. 1

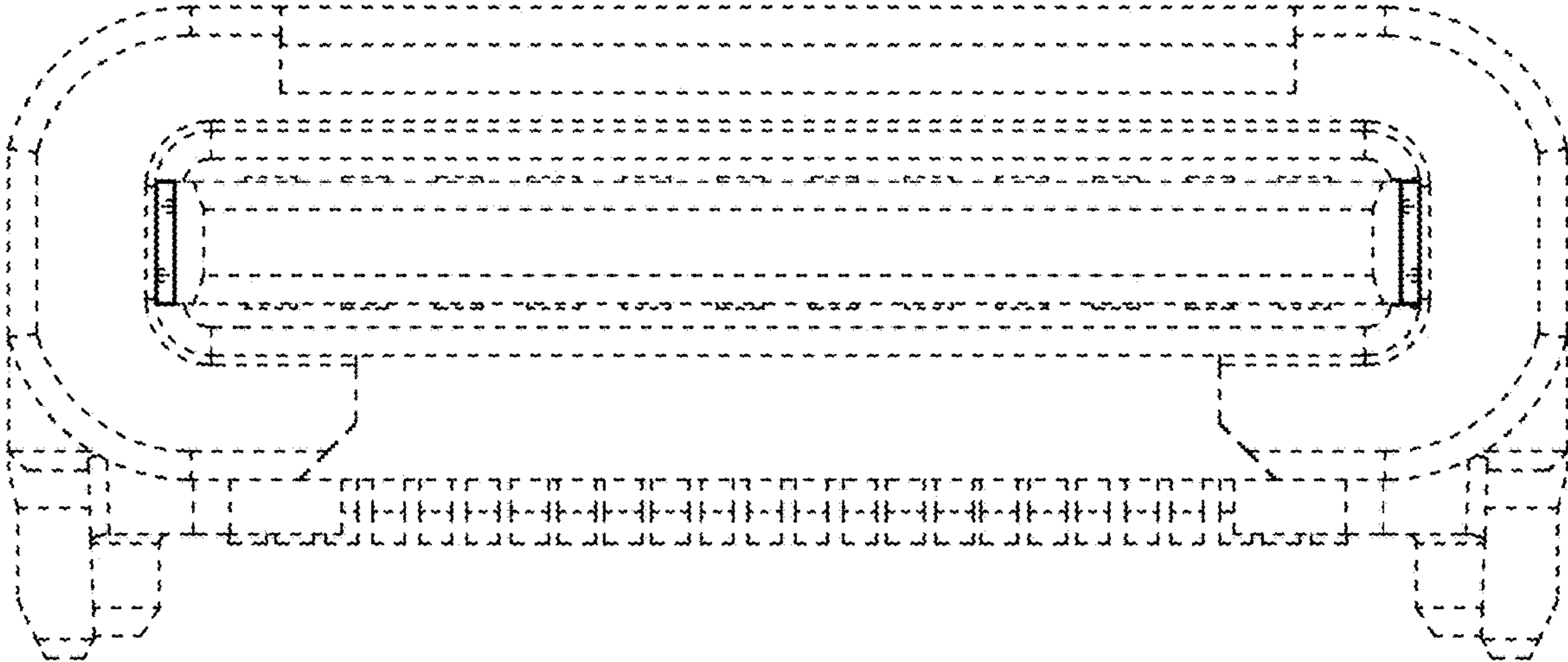


FIG. 2

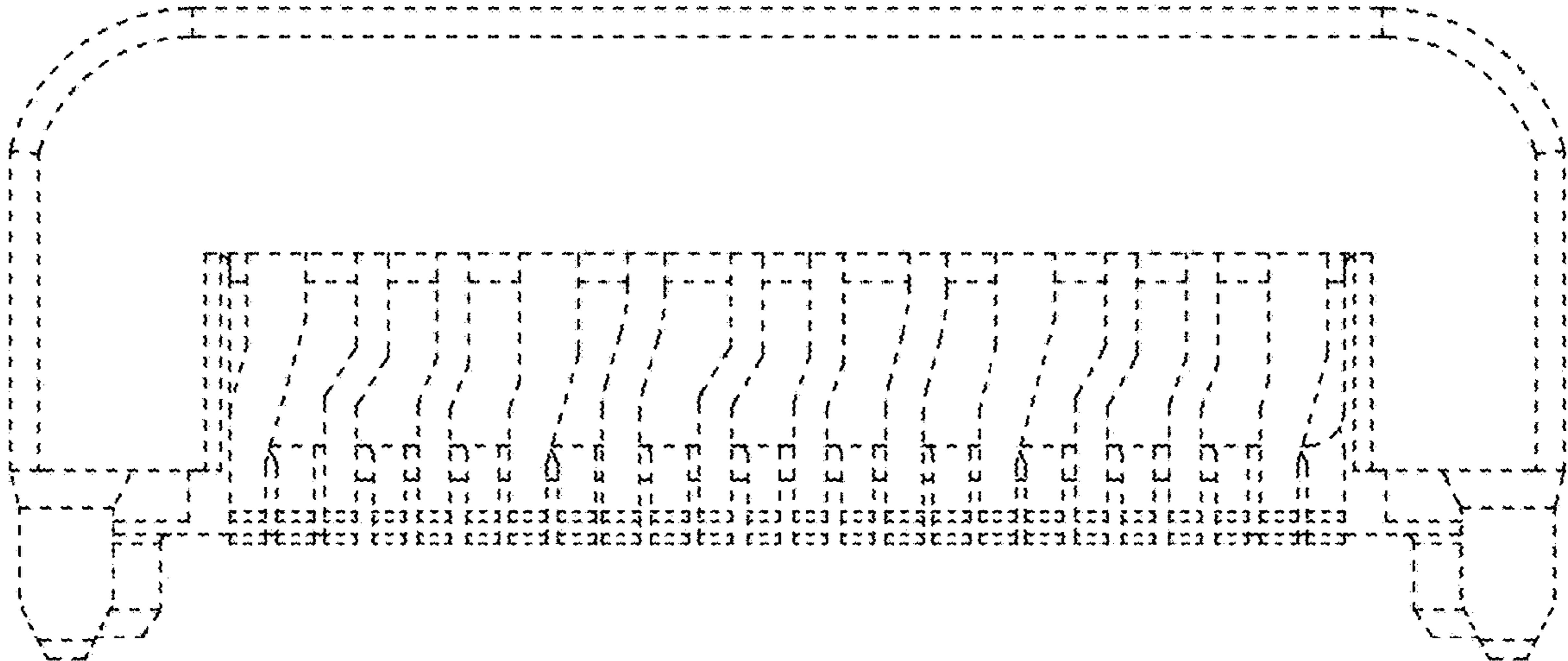


FIG.3

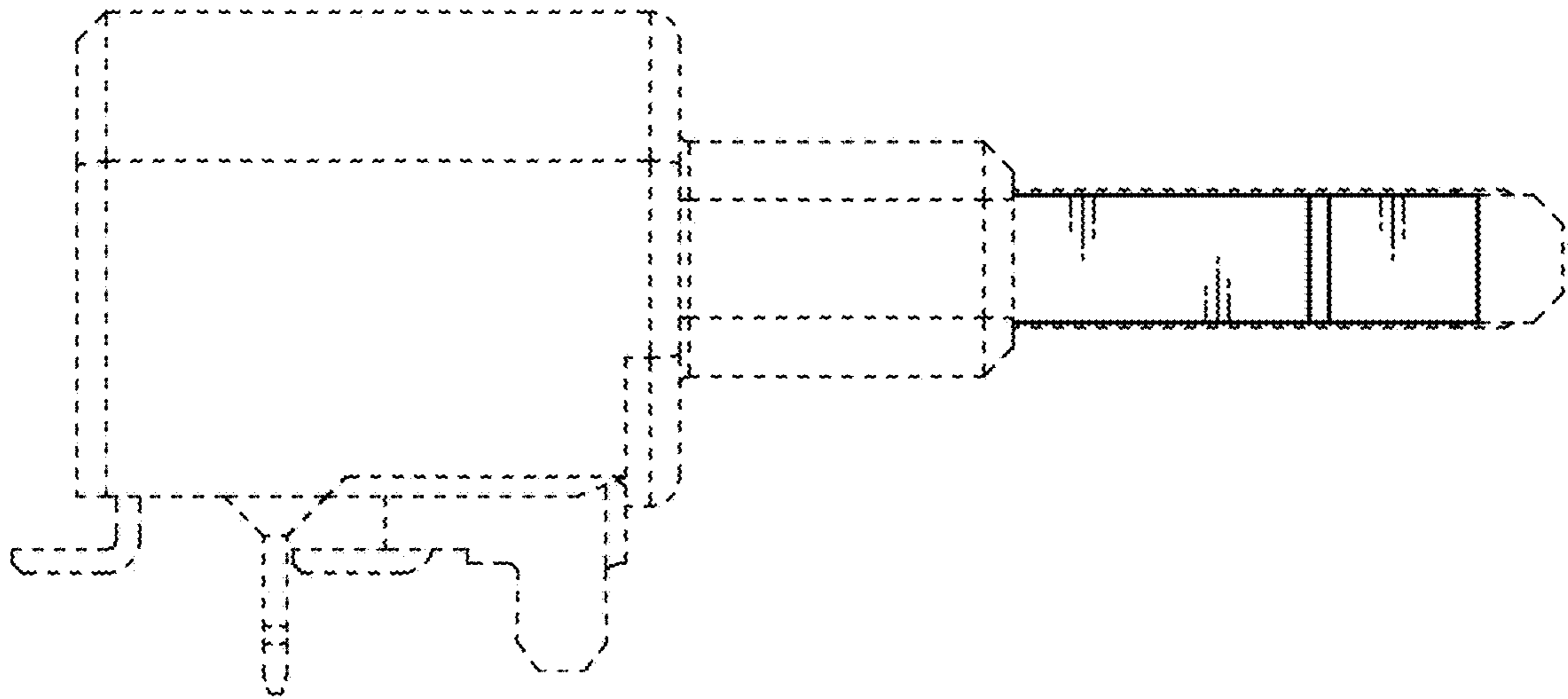


FIG. 4

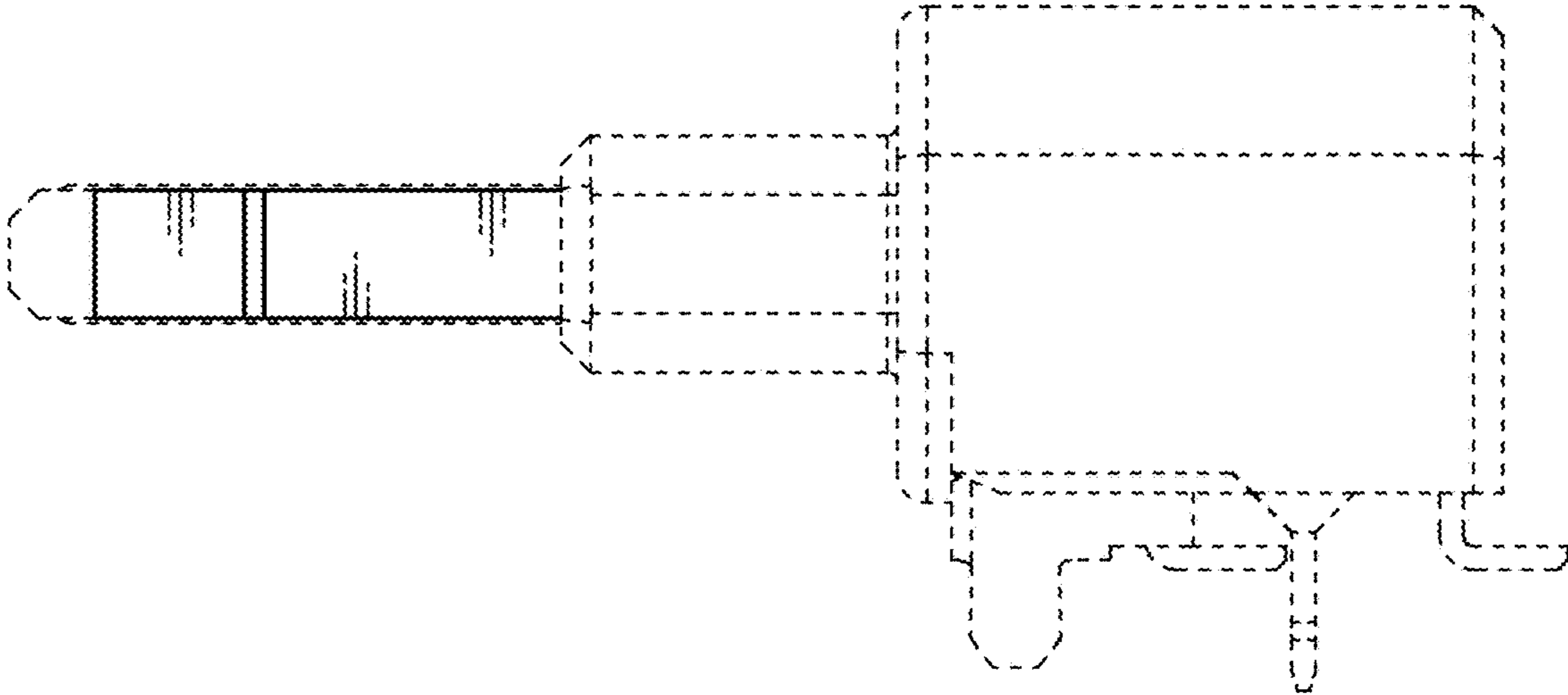


FIG. 5

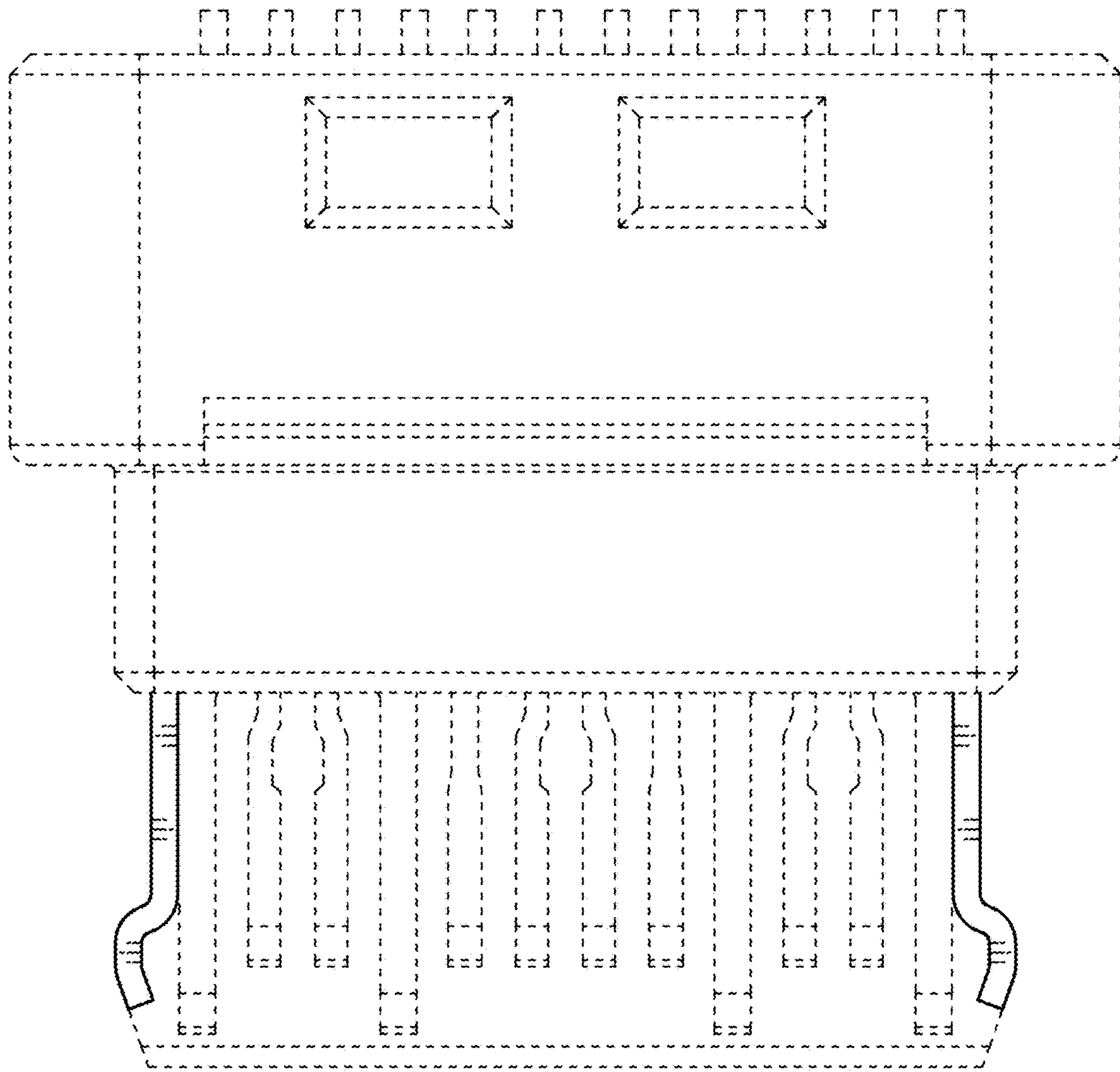


FIG. 6

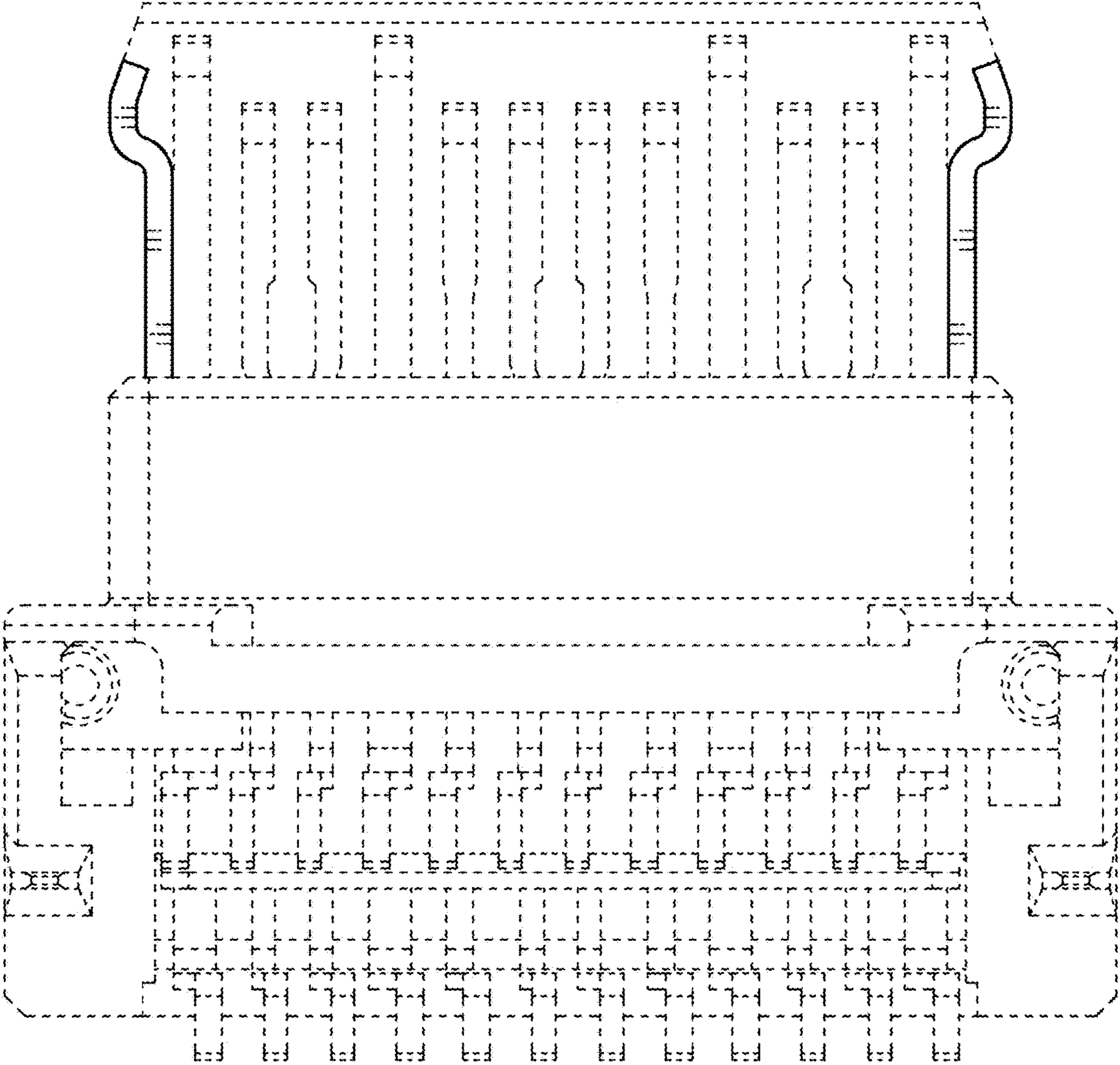


FIG. 7