



US00D851090S

(12) **United States Design Patent**
Tak et al.

(10) **Patent No.:** **US D851,090 S**
(45) **Date of Patent:** **** Jun. 11, 2019**

(54) **POWER CABLE ACCESSORY**

(71) Applicant: **Google Inc.**, Mountain View, CA (US)

(72) Inventors: **Jung Geun Tak**, Millbrae, CA (US);
Maj Isabelle Olsson, Sunnyvale, CA (US);
Katherine Morgenroth, Los Gatos, CA (US);
Livius Dumitru Chebeleu, San Jose, CA (US)

(73) Assignee: **GOOGLE LLC**, Mountain View, CA (US)

(**) Term: **15 Years**

(21) Appl. No.: **29/615,775**

(22) Filed: **Aug. 31, 2017**

(51) **LOC (11) Cl.** **14-02**

(52) **U.S. Cl.**
USPC **D14/433**

(58) **Field of Classification Search**
USPC D14/356, 432-434, 453, 454, 511, 203.8,
D14/209.1, 238.1, 240, 125; 439/638,
(Continued)

(56) **References Cited**

U.S. PATENT DOCUMENTS

D409,150 S * 5/1999 Davis D13/147
D416,233 S * 11/1999 Tsai D13/147
(Continued)

Primary Examiner — Austin Murphy

(74) *Attorney, Agent, or Firm* — Morgan, Lewis & Bockius LLP

(57) **CLAIM**

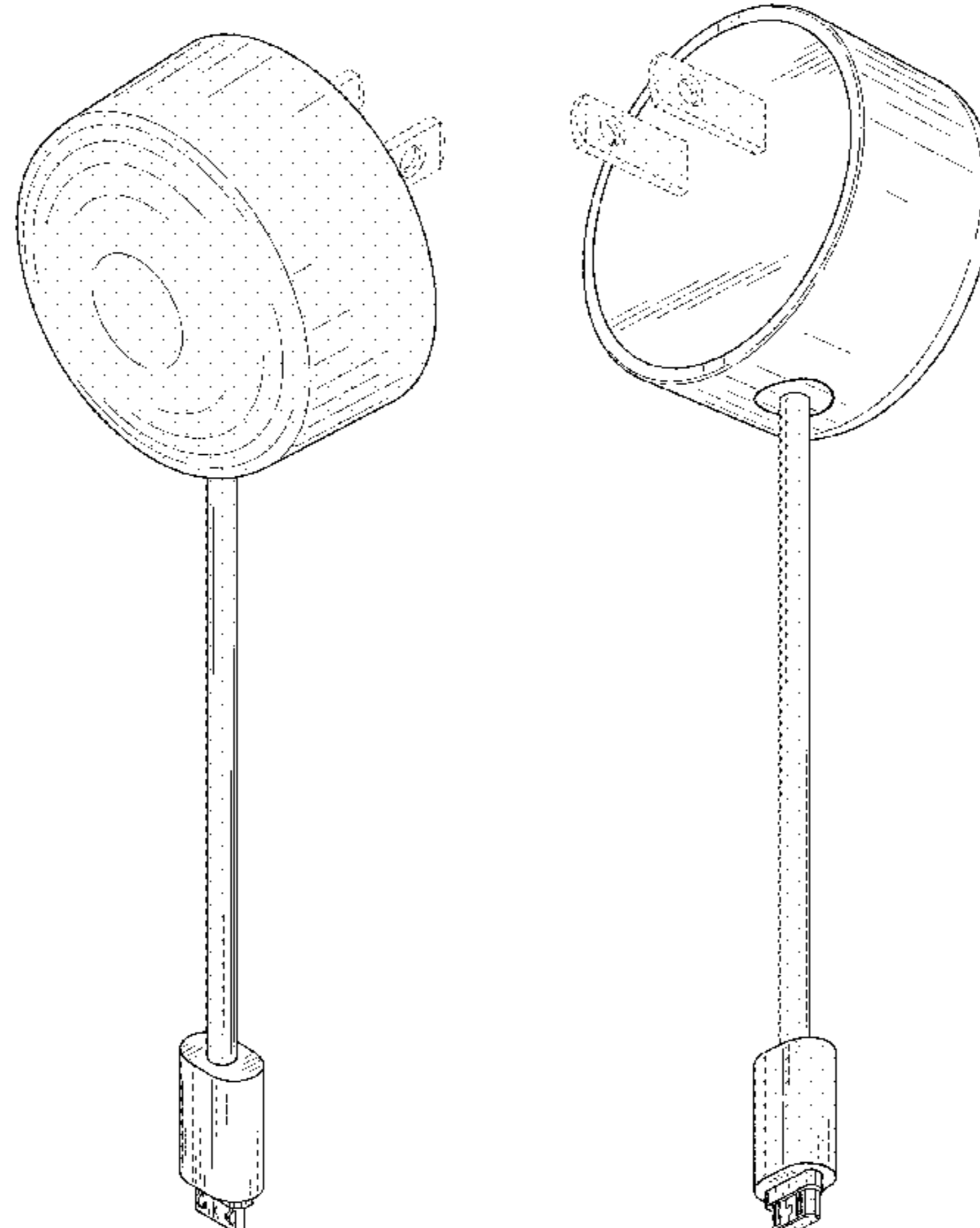
The ornamental design for a power cable accessory, as shown and described.

DESCRIPTION

FIG. 1 is a front perspective view of the power cable accessory according to a first embodiment of our design;

FIG. 2 is a front elevation view thereof;
FIG. 3 is a rear elevation view thereof;
FIG. 4 is a right side elevation view thereof;
FIG. 5 is a left side elevation view thereof;
FIG. 6 is a top elevation view thereof;
FIG. 7 is a bottom elevation view thereof;
FIG. 8 is a rear perspective view thereof;
FIG. 9 is a front perspective view of the power cable accessory according to a second embodiment of our design;
FIG. 10 is a front elevation view thereof;
FIG. 11 is a rear elevation view thereof;
FIG. 12 is a right side elevation view thereof;
FIG. 13 is a left side elevation view thereof;
FIG. 14 is a top elevation view thereof;
FIG. 15 is a bottom elevation view thereof;
FIG. 16 is a rear perspective view thereof;
FIG. 17 is a front perspective view of the power cable accessory according to a third embodiment of our design;
FIG. 18 is a front elevation view thereof;
FIG. 19 is a rear elevation view thereof;
FIG. 20 is a right side elevation view thereof;
FIG. 21 is a left side elevation view thereof;
FIG. 22 is a top elevation view thereof;
FIG. 23 is a bottom elevation view thereof;
FIG. 24 is a rear perspective view thereof;
FIG. 25 is a front perspective view of the power cable accessory according to a fourth embodiment of our design;
FIG. 26 is a front elevation view thereof;
FIG. 27 is a rear elevation view thereof;
FIG. 28 is a right side elevation view thereof;
FIG. 29 is a left side elevation view thereof;
FIG. 30 is a top elevation view thereof;
FIG. 31 is a bottom elevation view thereof; and,
FIG. 32 is a rear perspective view thereof.
Broken lines are environmental only and form no part of the claimed design.

1 Claim, 20 Drawing Sheets



(58) **Field of Classification Search**

USPC 439/928, 105, 502; 710/303, 304;
361/679.41, 679.55, 679.56; D13/110,
D13/133, 146

CPC ... H04L 12/2832; H04L 12/2838; G06F 3/00;
G06F 5/00; G06F 13/14

See application file for complete search history.

(56) **References Cited**

U.S. PATENT DOCUMENTS

D574,834 S * 8/2008 Chen D14/432
D601,150 S * 9/2009 Romero D14/433
D628,537 S * 12/2010 Nagata D13/147
D678,285 S * 3/2013 Chen D14/433
D709,504 S * 7/2014 Breines D14/433
D727,907 S * 4/2015 Higashi D14/433
D731,489 S * 6/2015 Langhammer D14/433
D743,398 S * 11/2015 Smith D14/433
D755,790 S * 5/2016 Salvatori D14/433
D757,011 S * 5/2016 Sakai D14/433
D782,485 S * 3/2017 Cai D14/433
D794,029 S * 8/2017 Lin D14/433
D800,068 S * 10/2017 Kim D13/144
D810,748 S * 2/2018 Zhang D14/433
D810,749 S * 2/2018 Zhang D14/433
D813,873 S * 3/2018 Pathak D14/433
9,935,408 B1 * 4/2018 Pathak H01R 13/6335
D832,260 S * 10/2018 Hutton D14/433

* cited by examiner

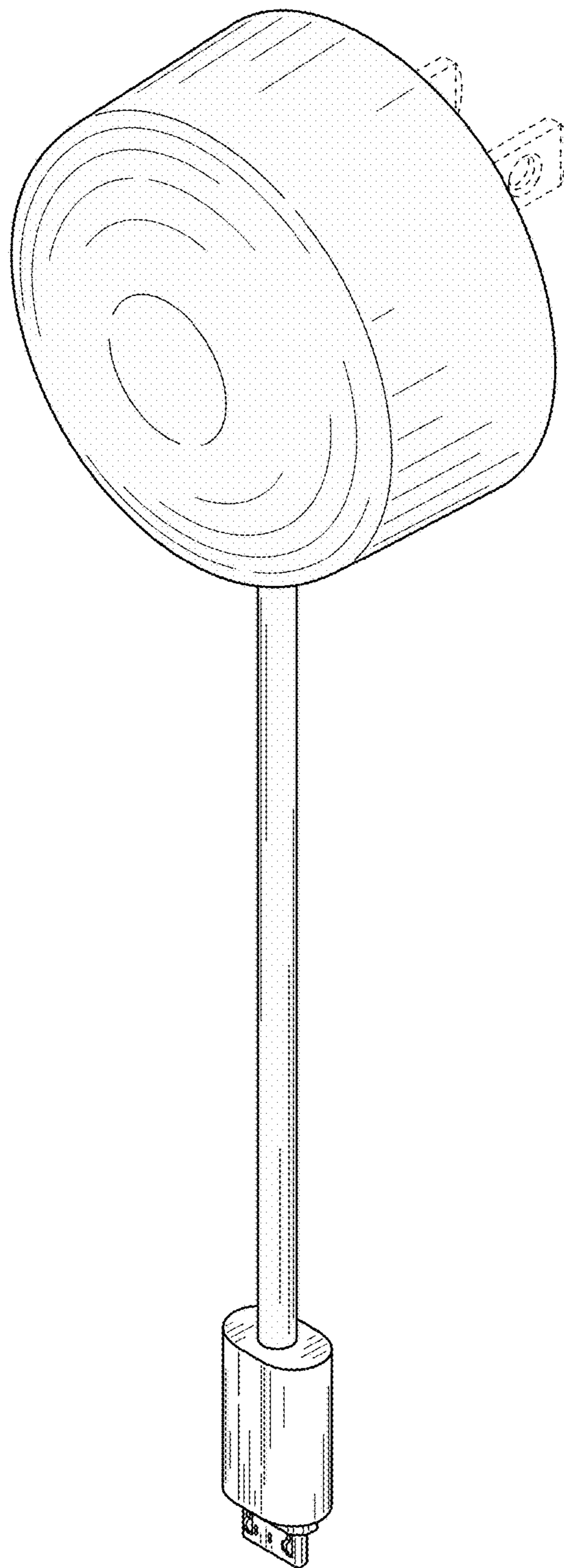


FIG. 1

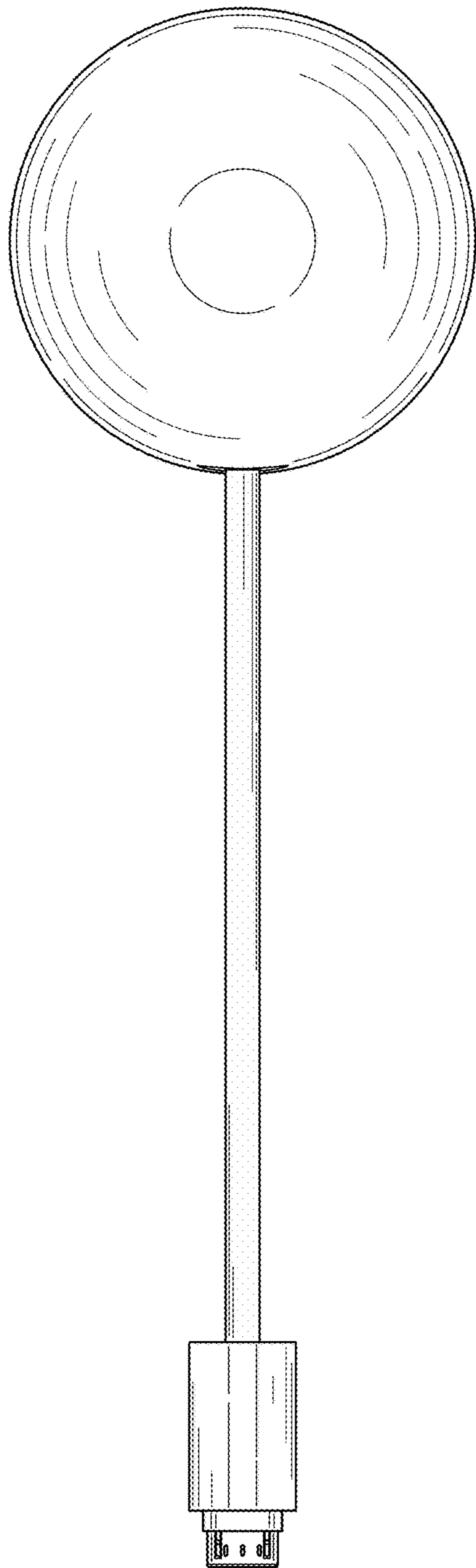


FIG. 2

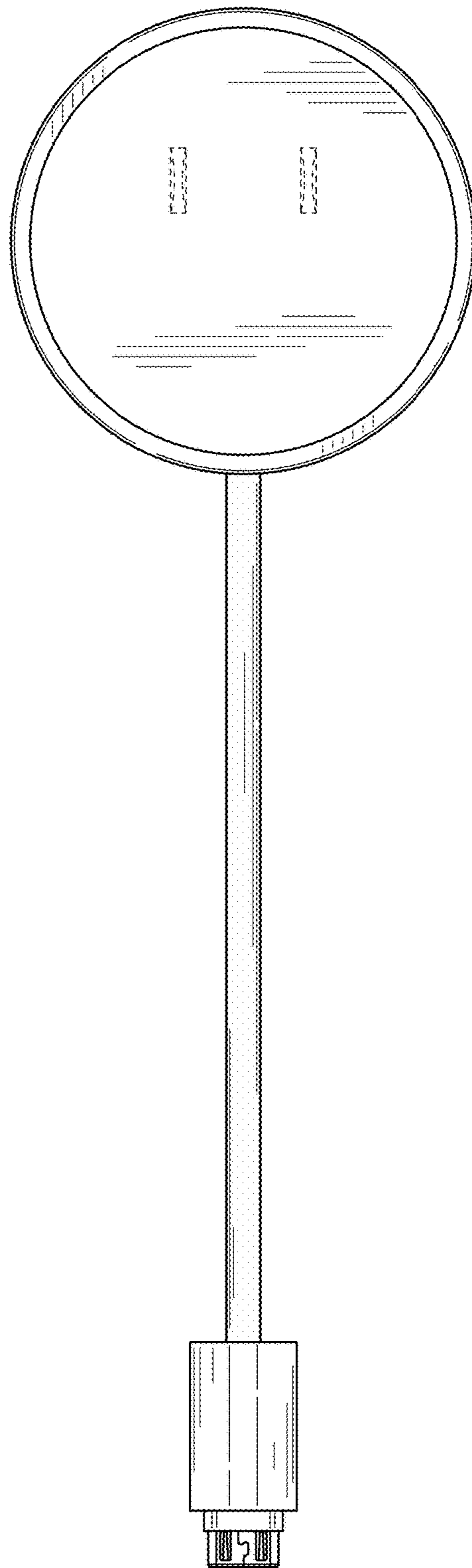


FIG. 3

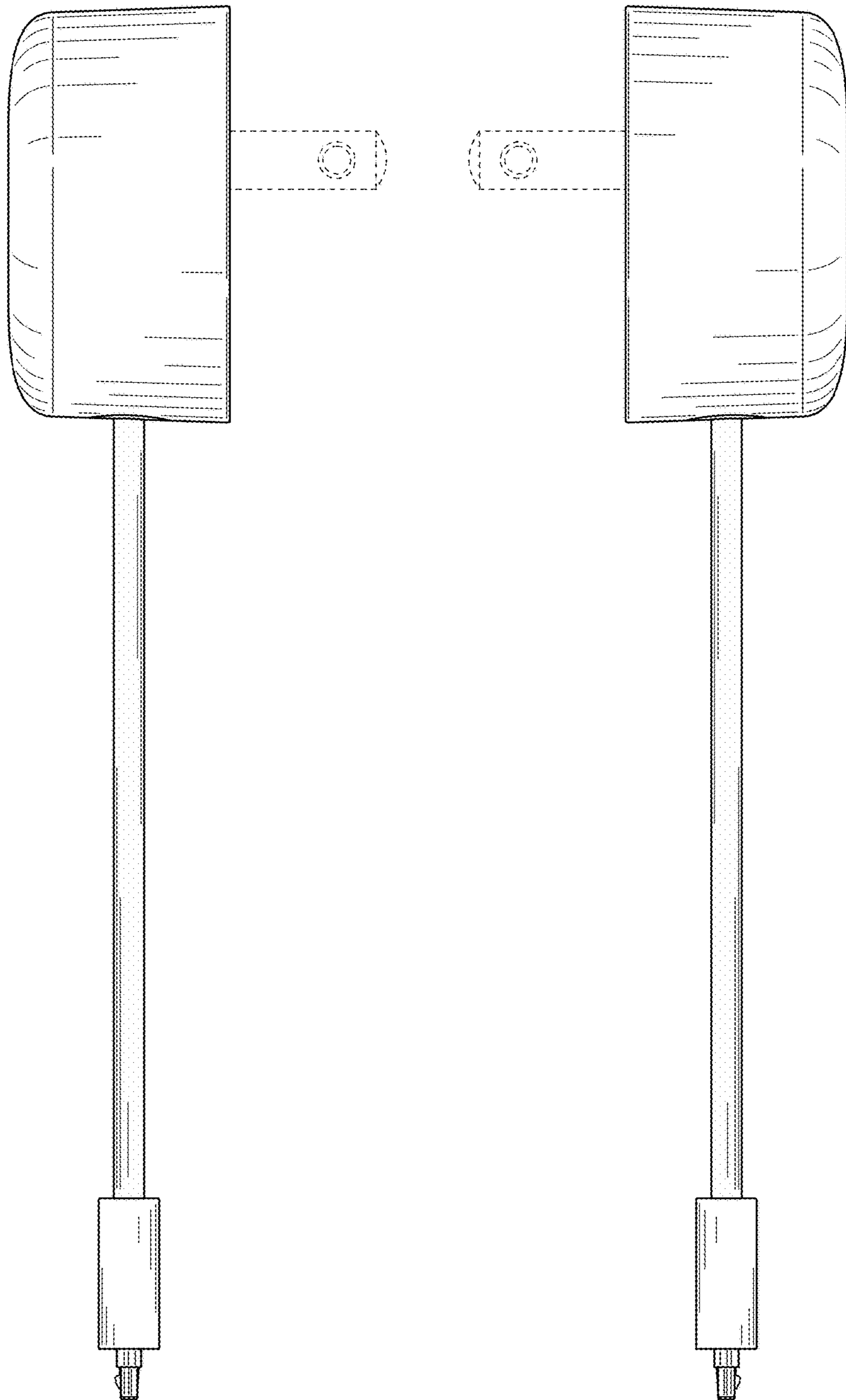


FIG. 4

FIG. 5

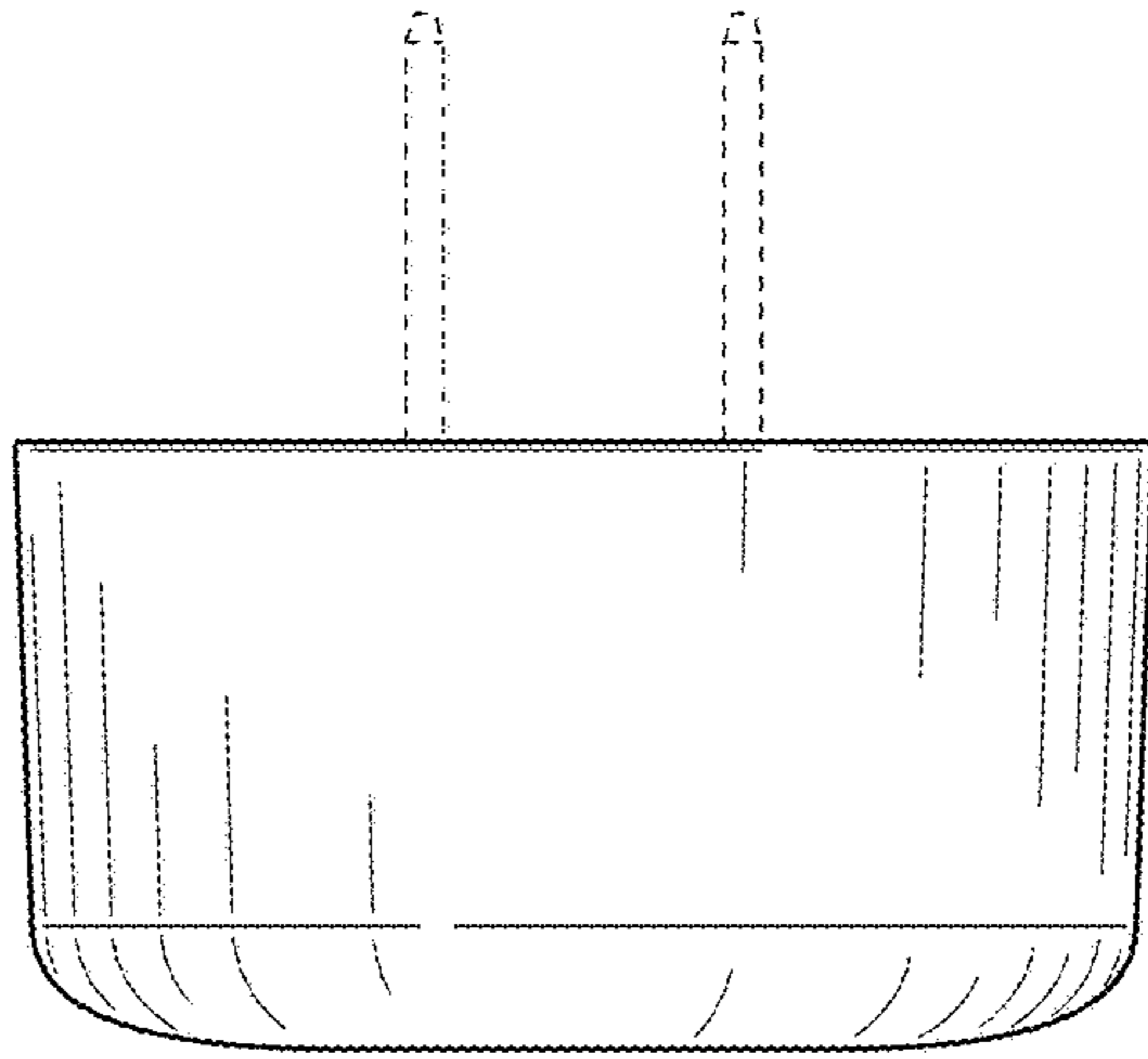


FIG. 6

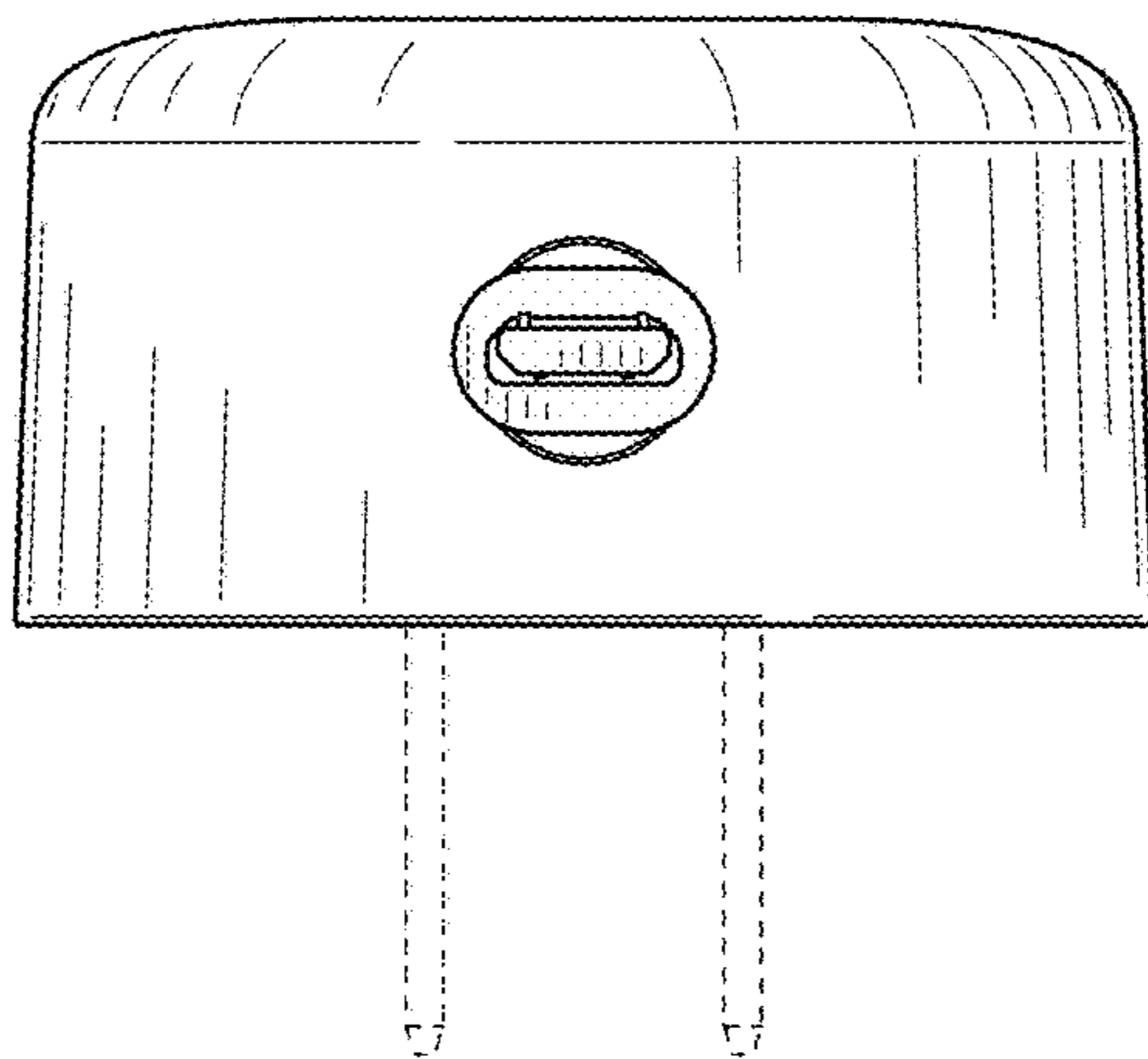


FIG. 7

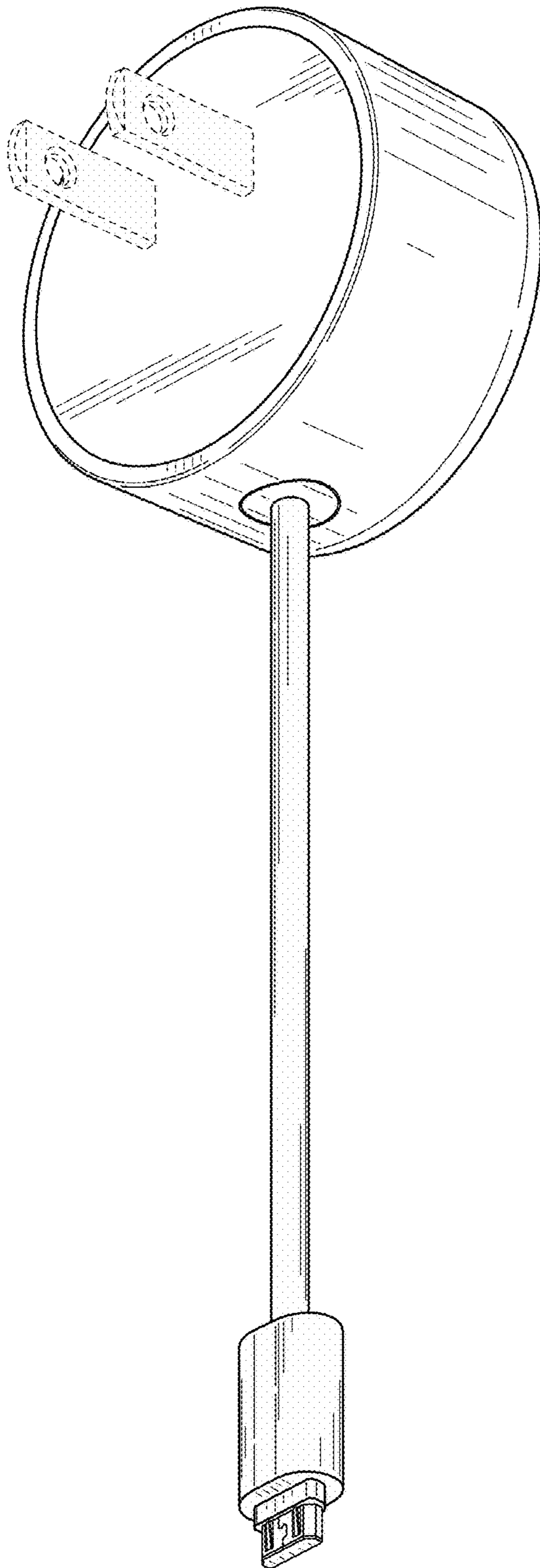


FIG. 8

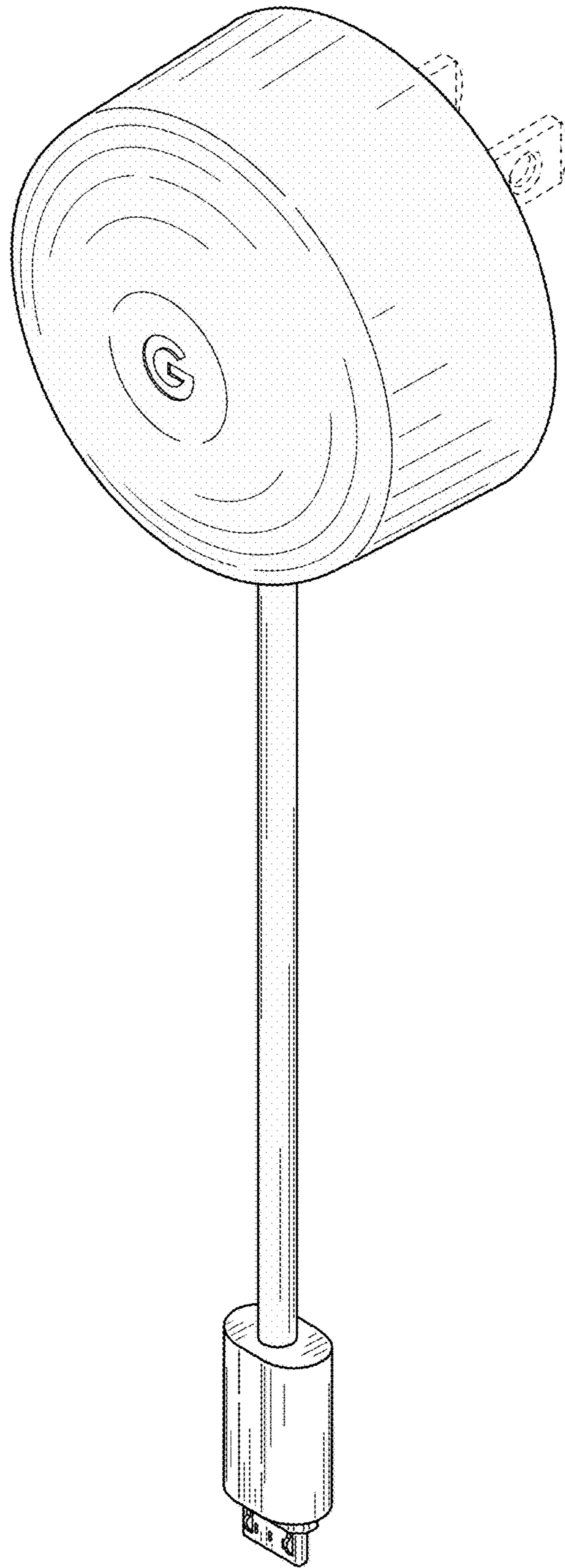


FIG. 9

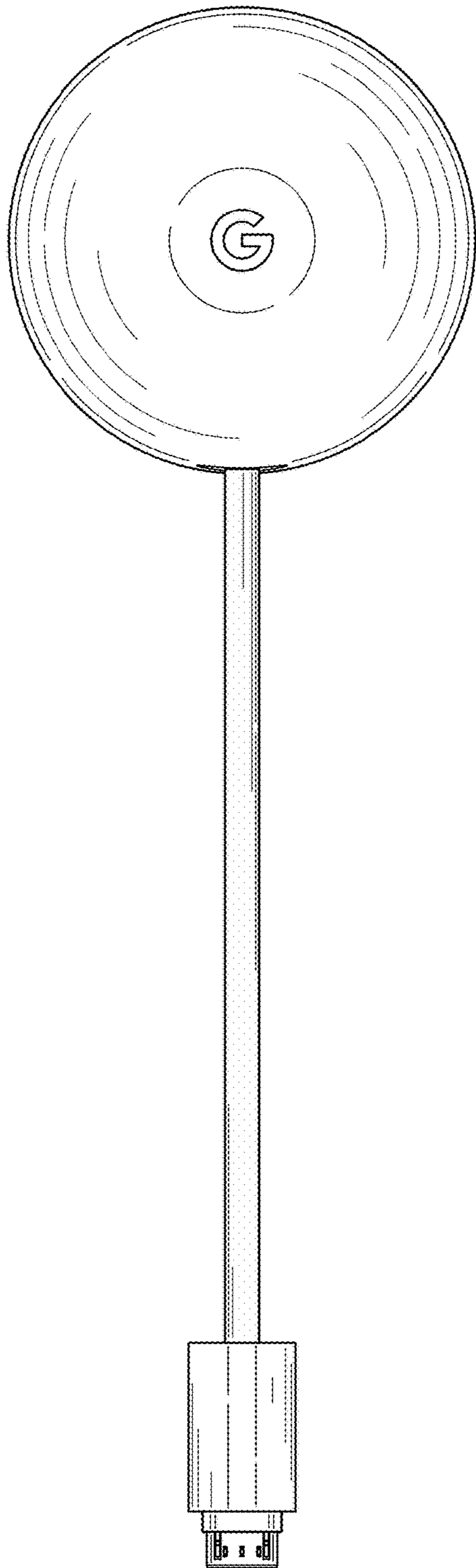


FIG. 10

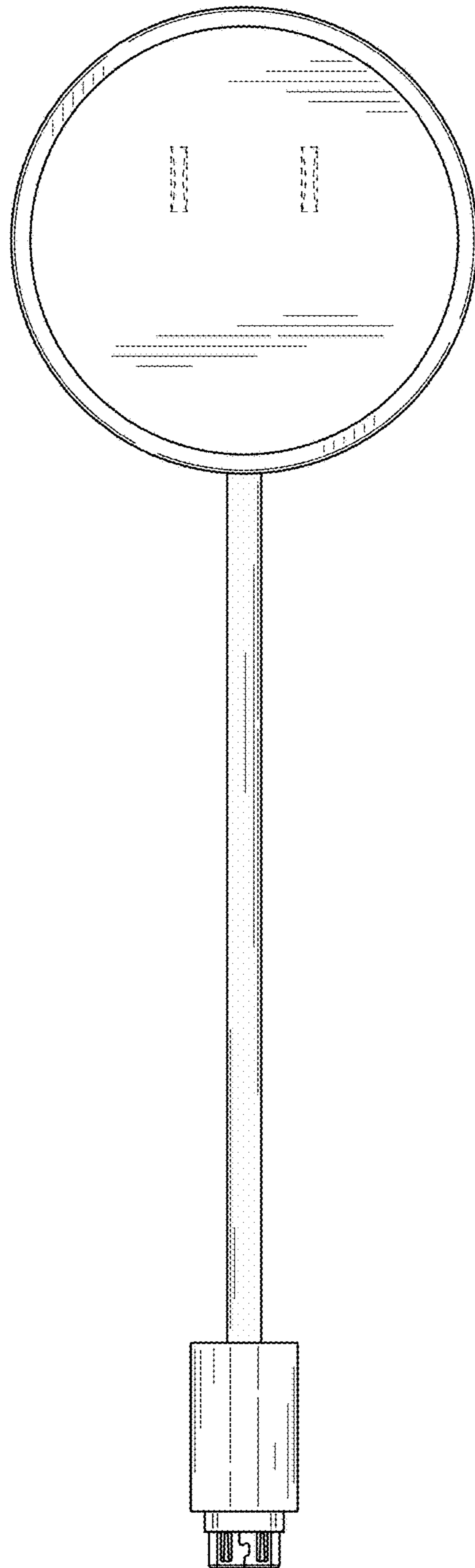


FIG. 11

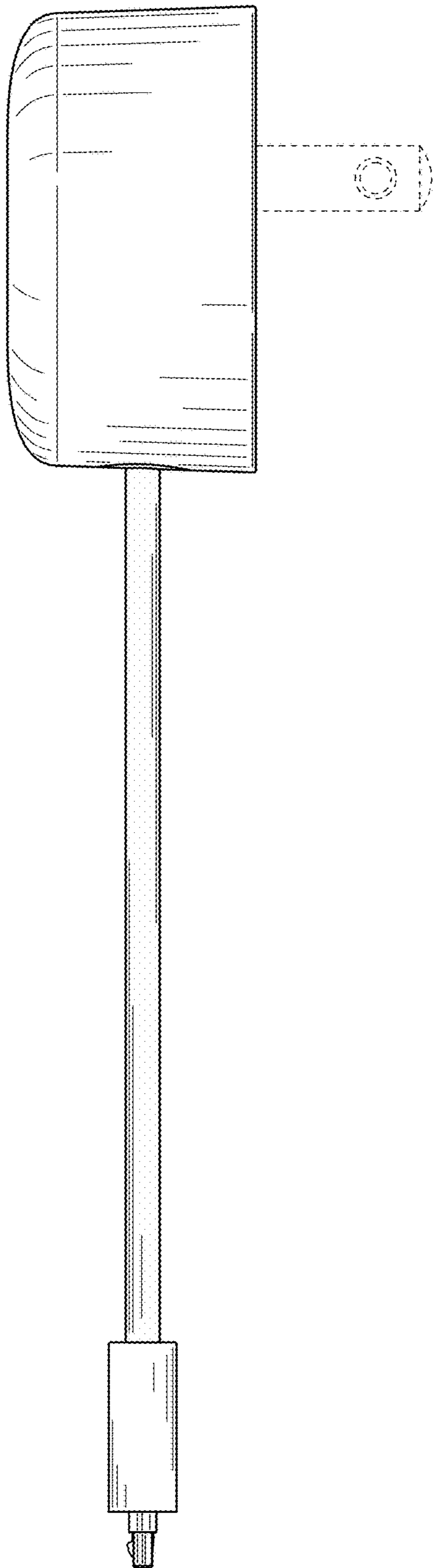


FIG. 12

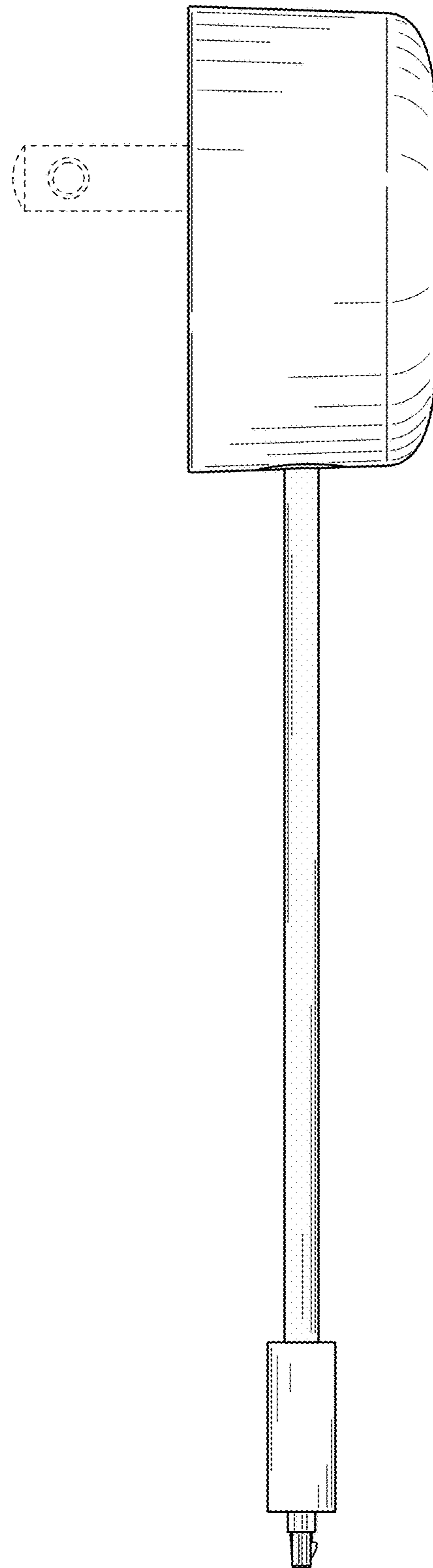


FIG. 13

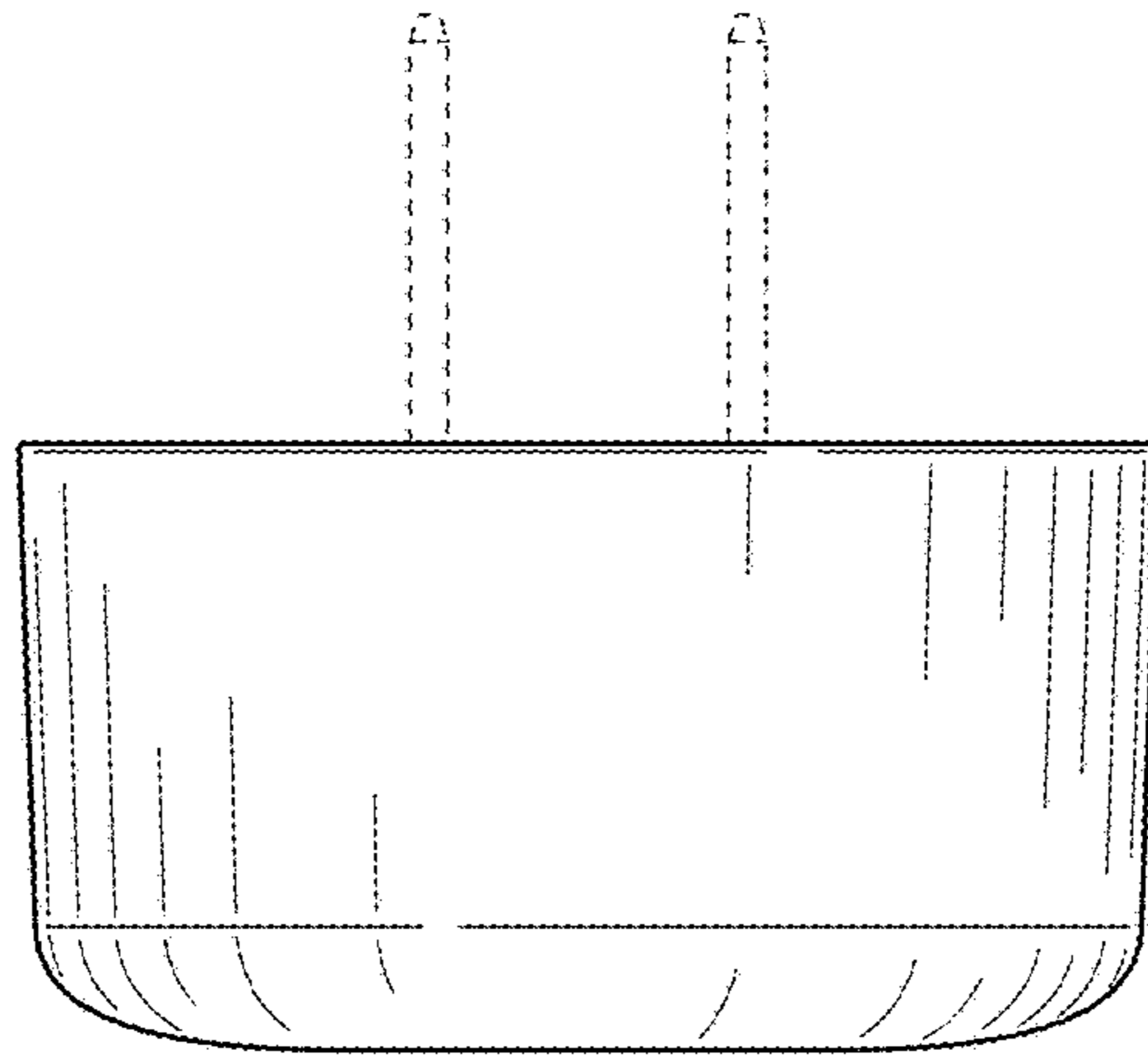


FIG. 14

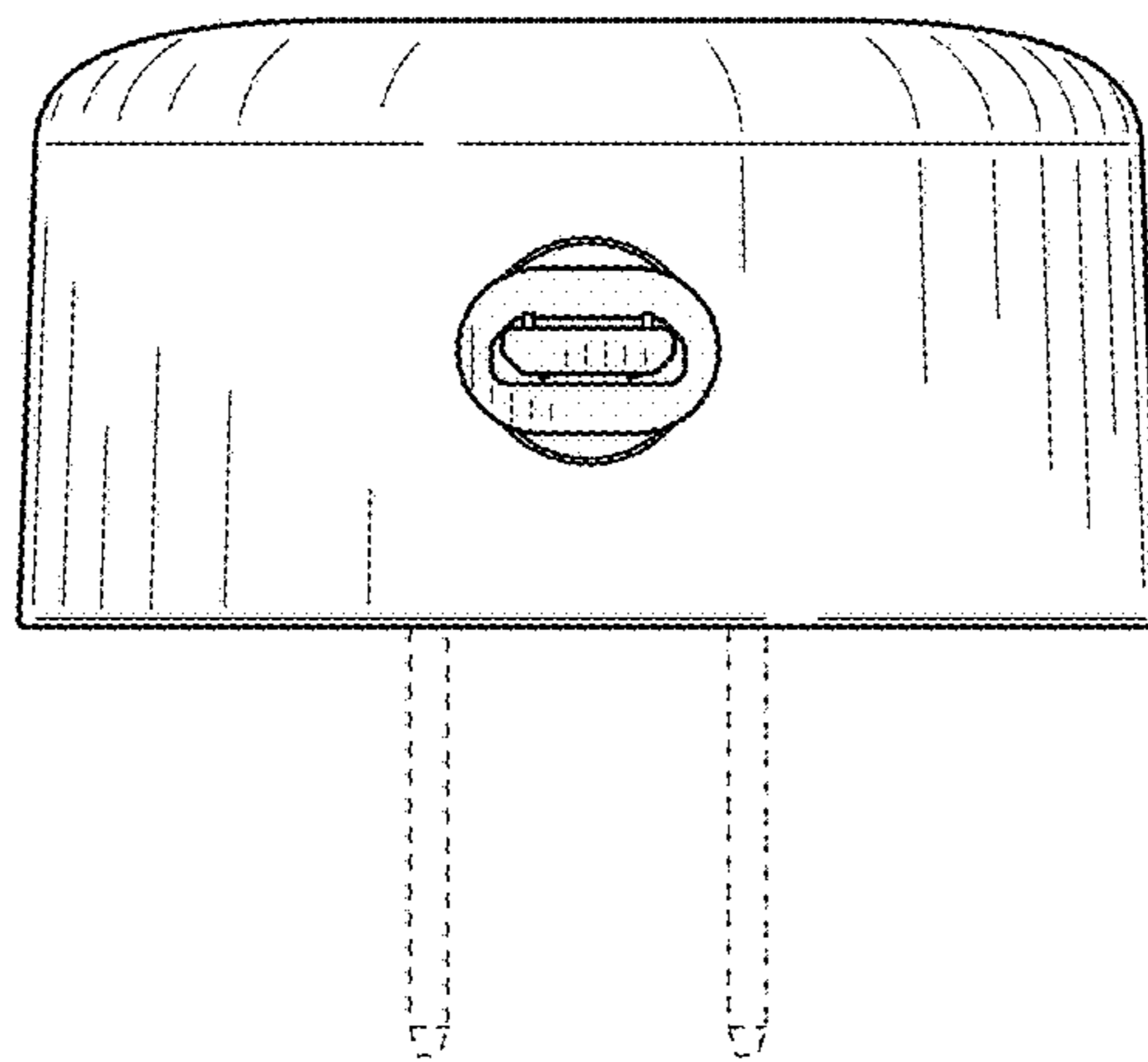


FIG. 15

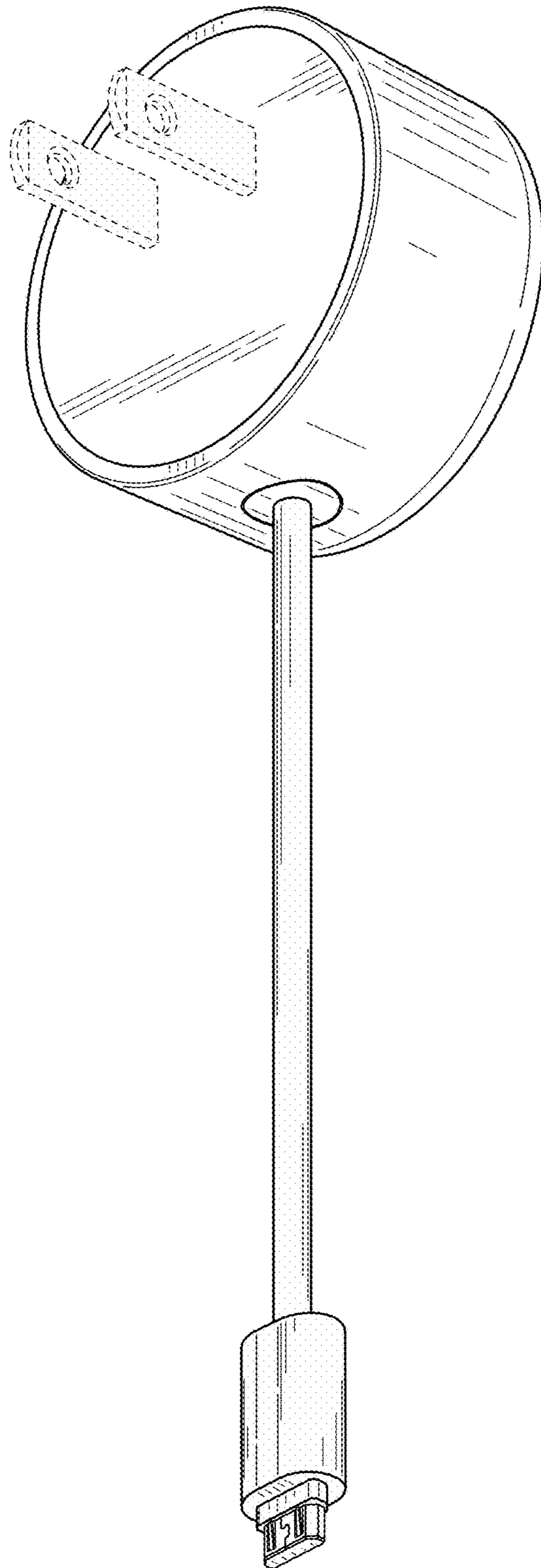


FIG. 16

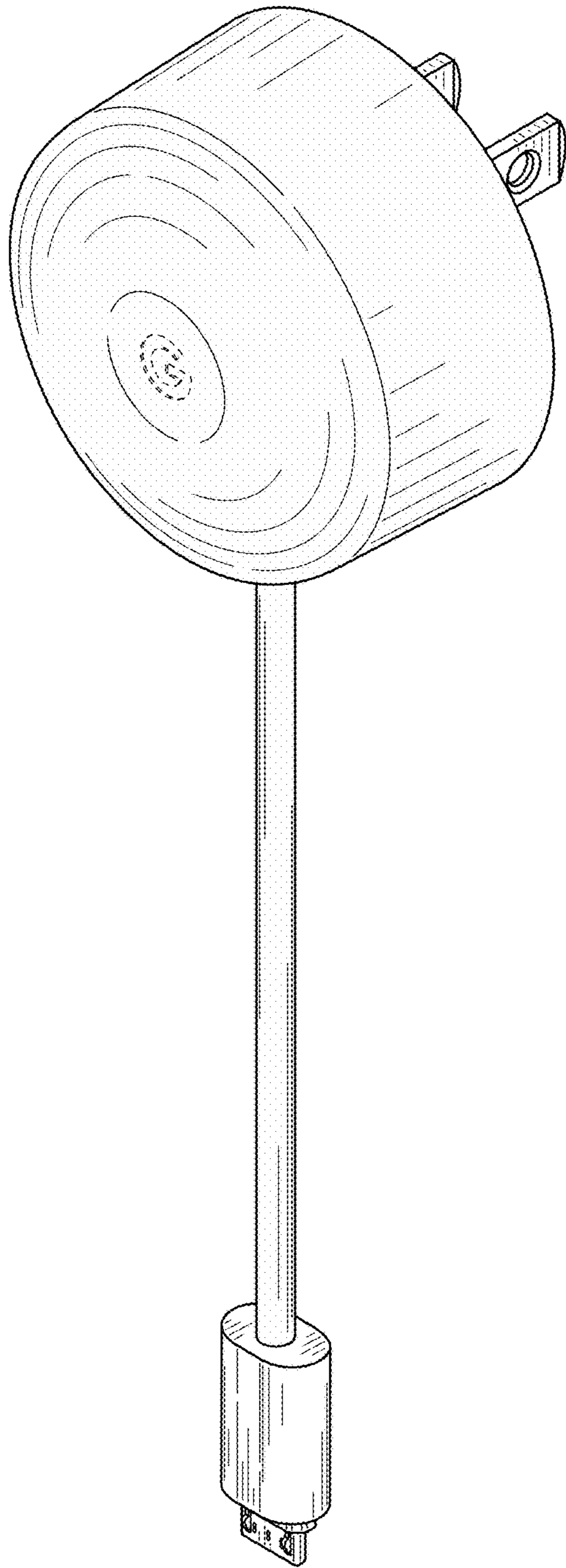


FIG. 17

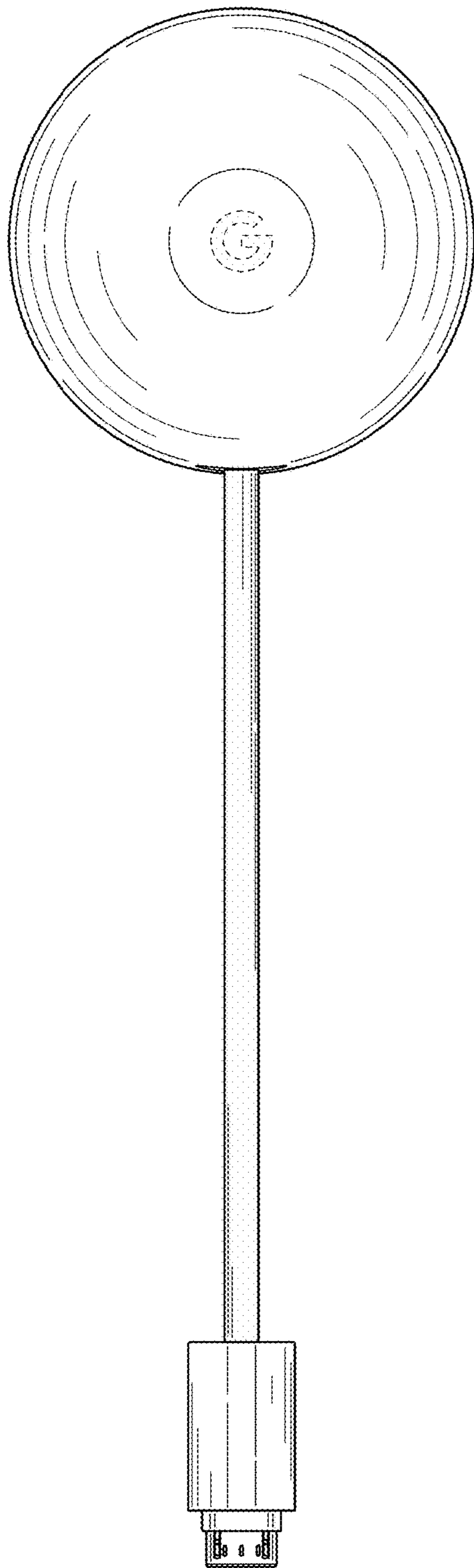


FIG. 18

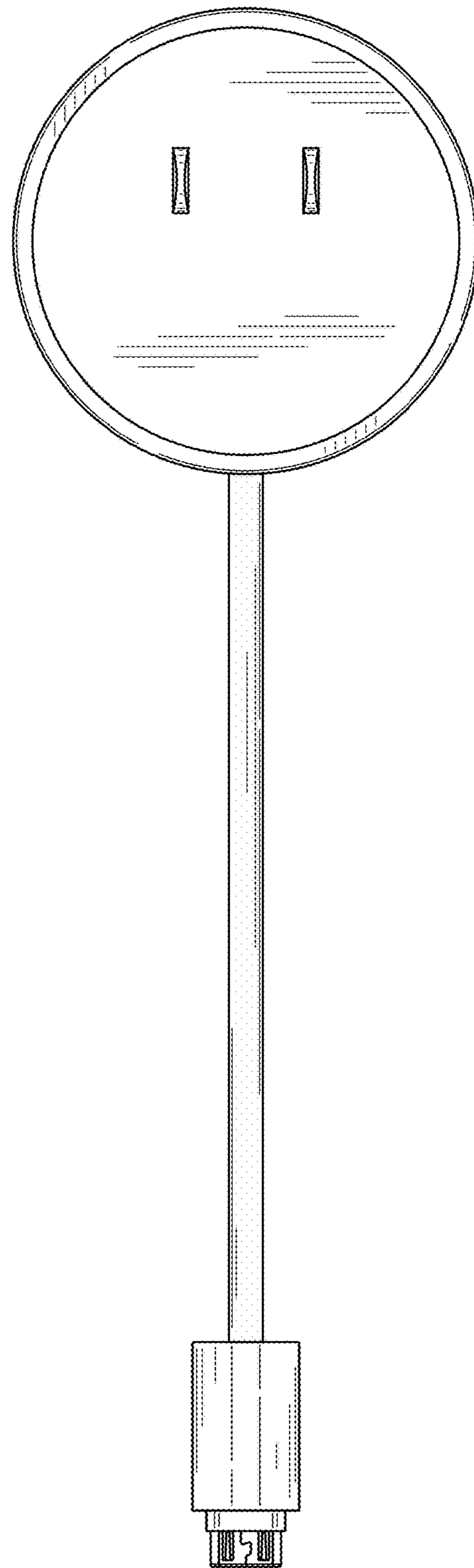


FIG. 19

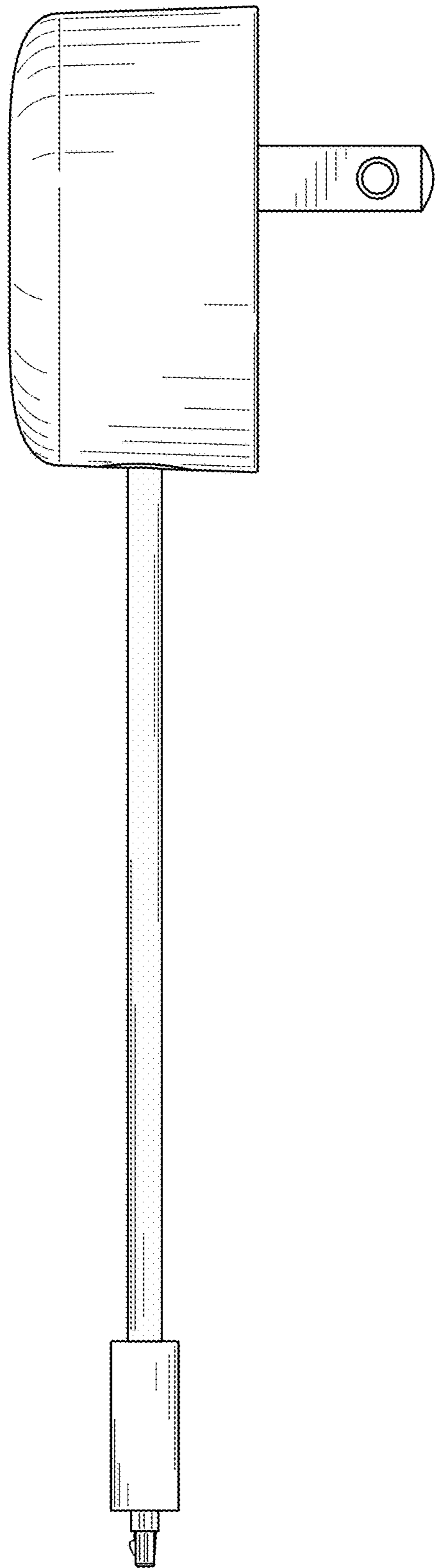


FIG. 20

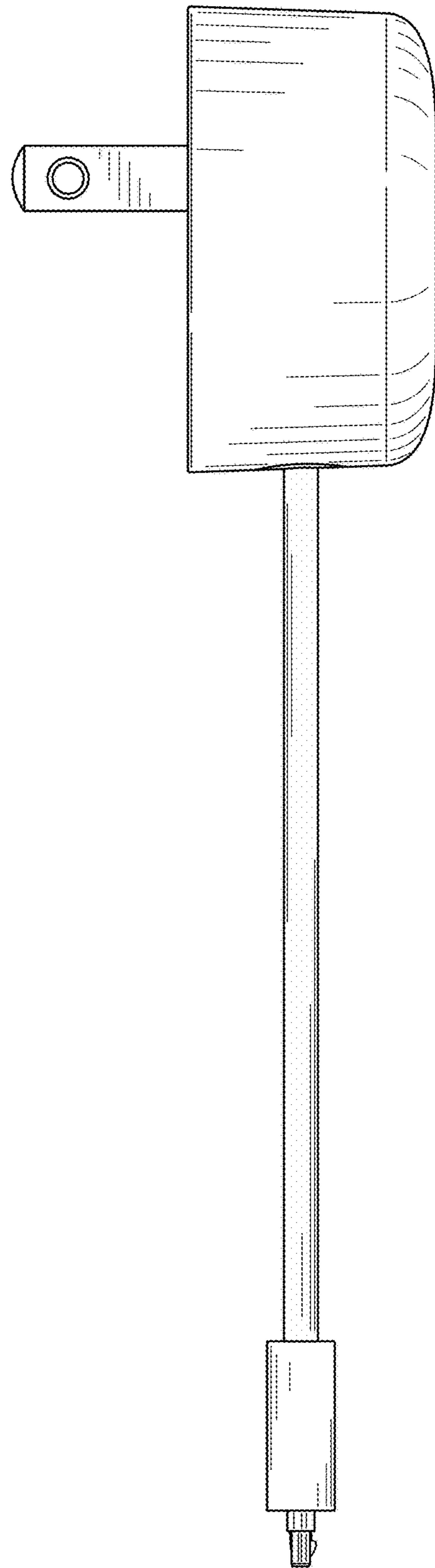


FIG. 21

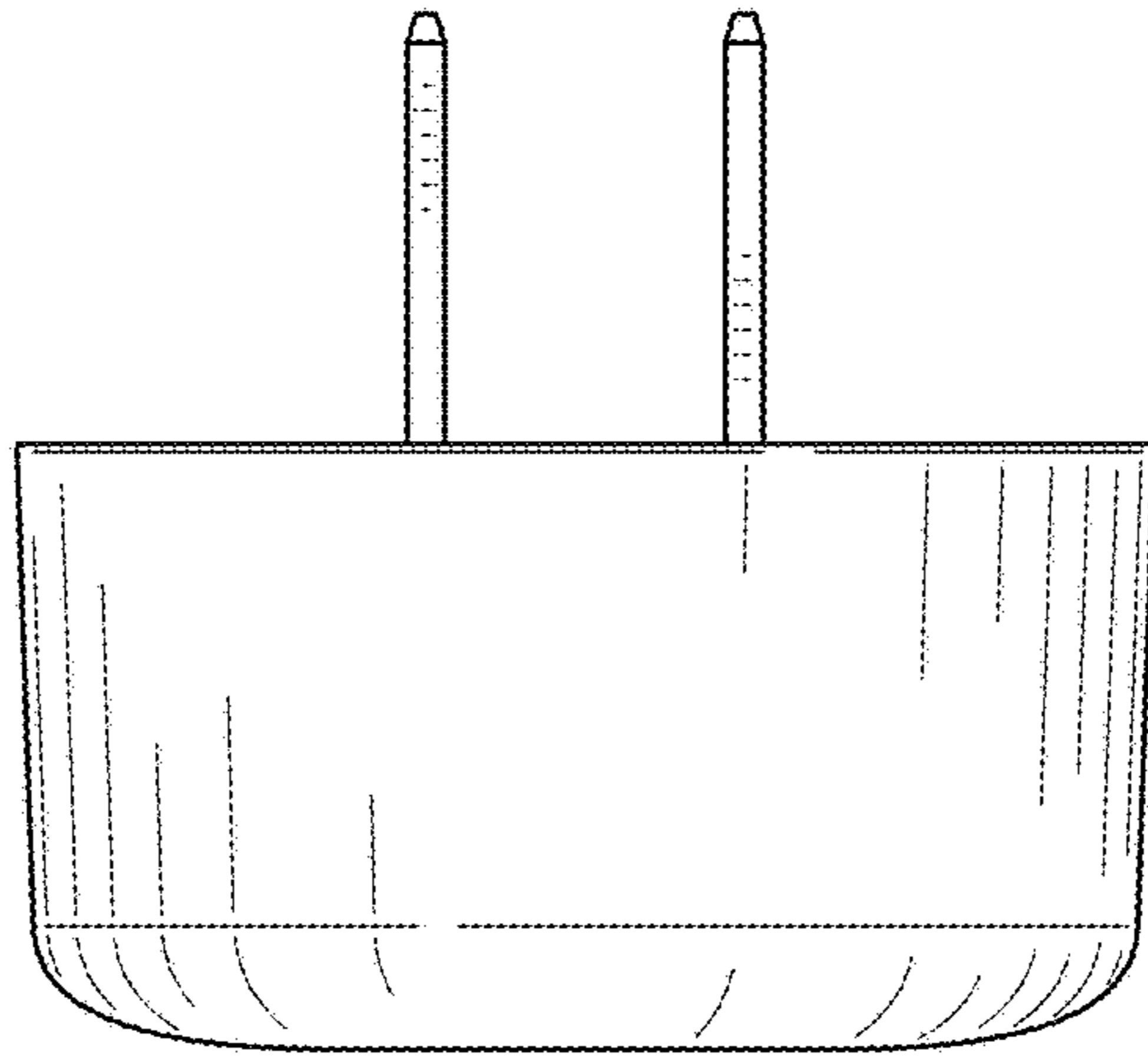


FIG. 22

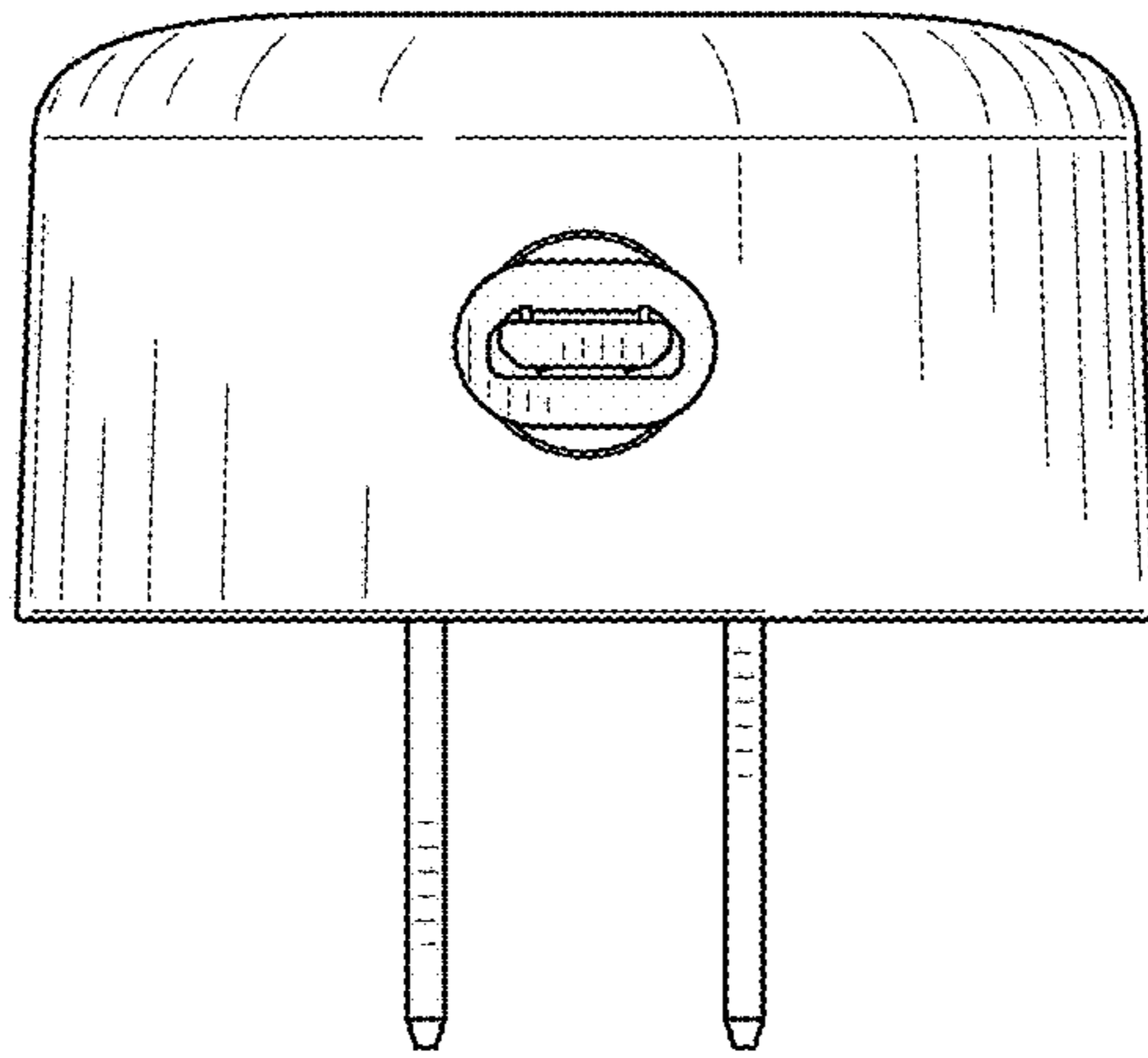


FIG. 23

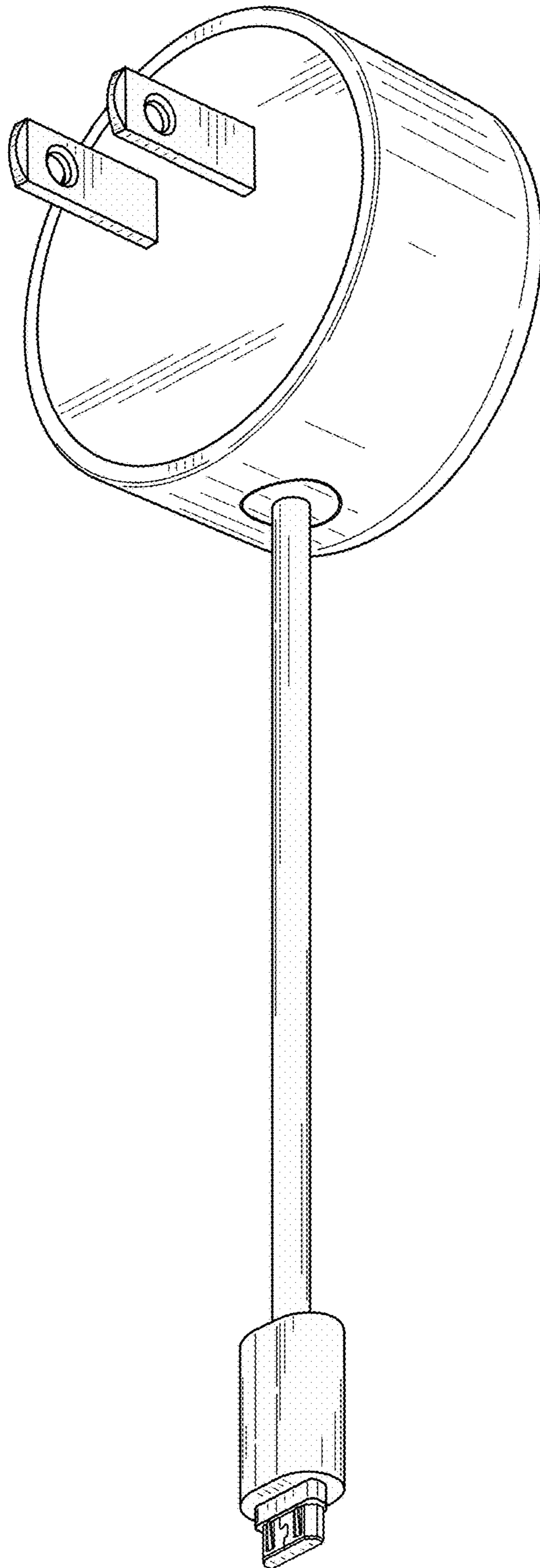


FIG. 24

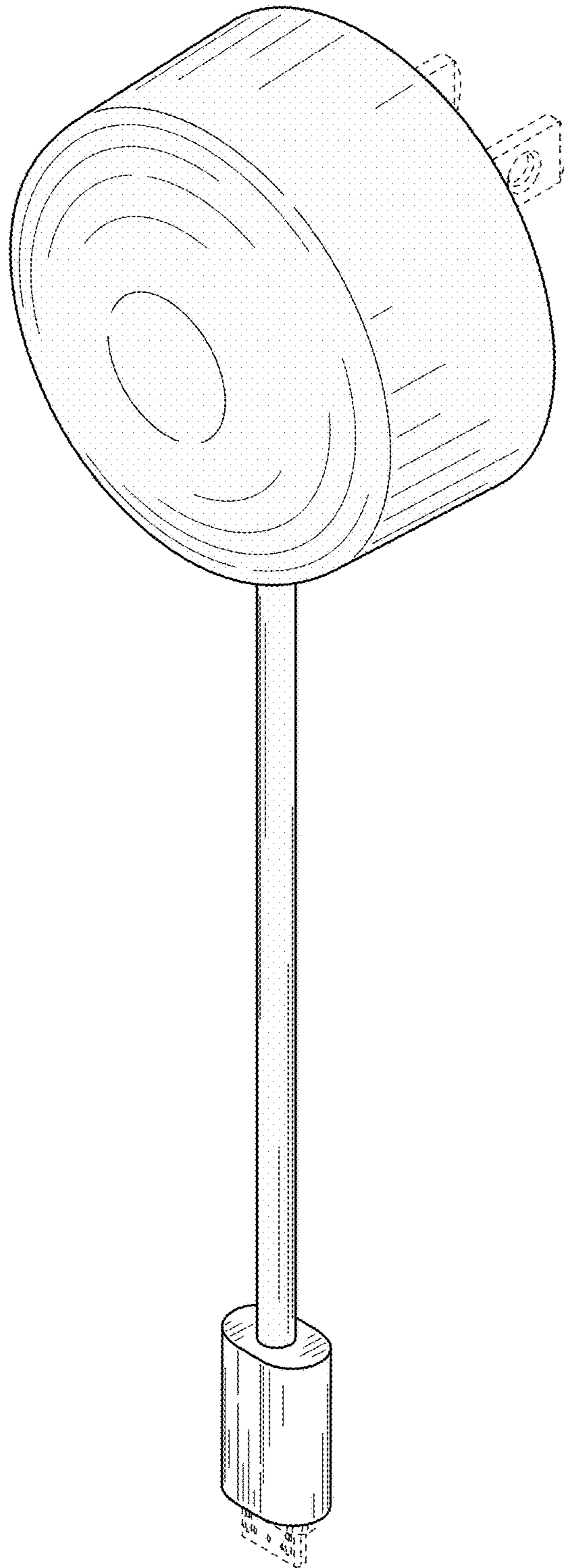


FIG. 25

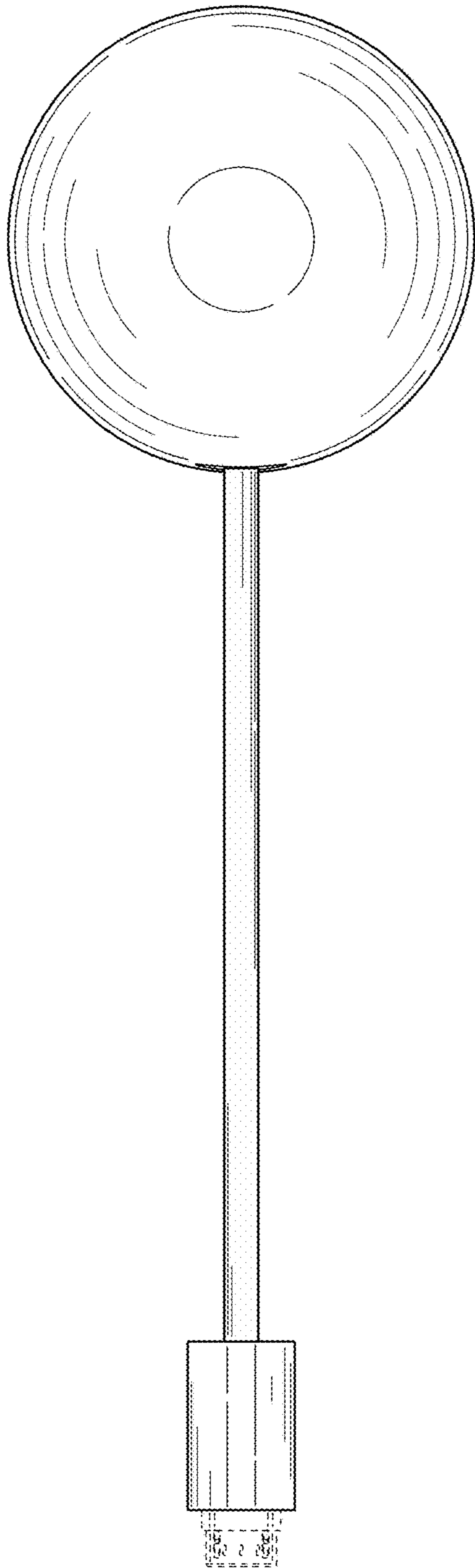


FIG. 26

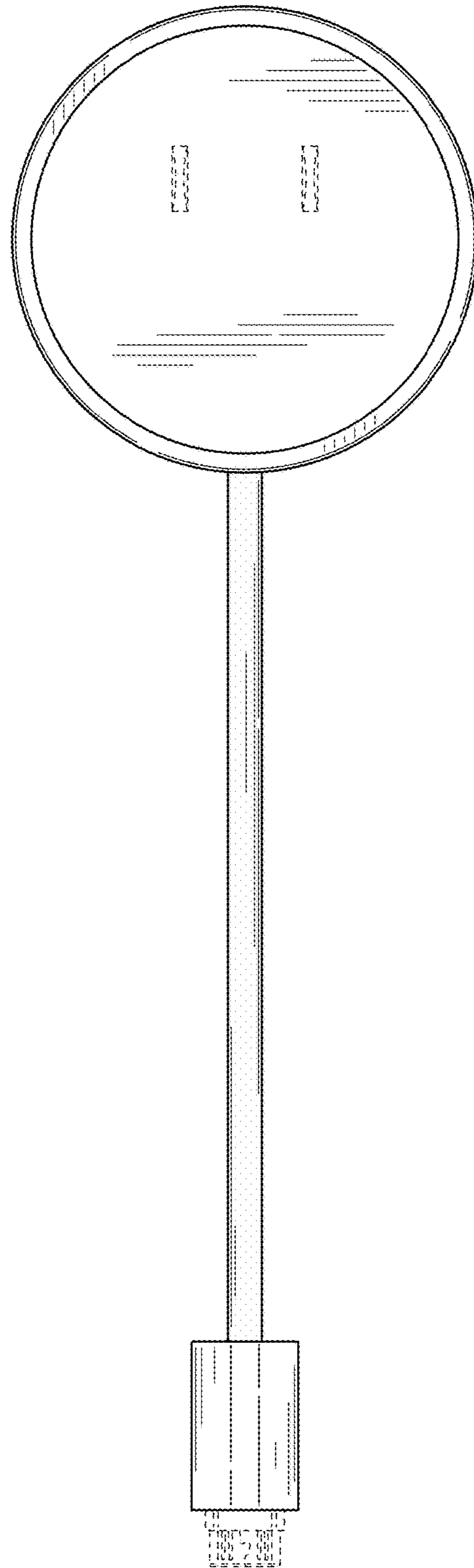


FIG. 27

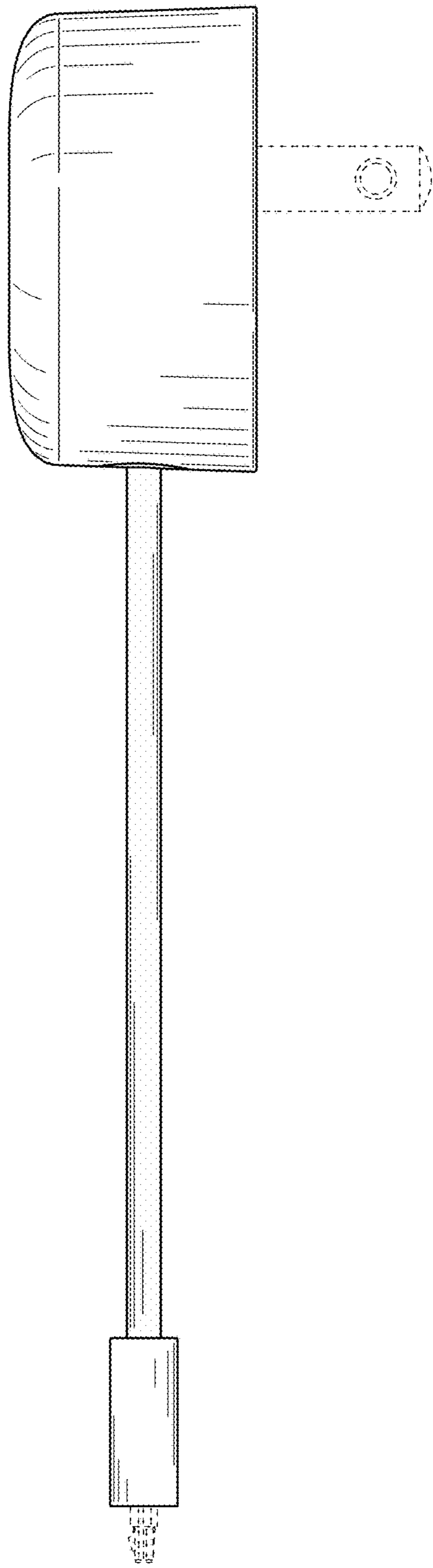


FIG. 28

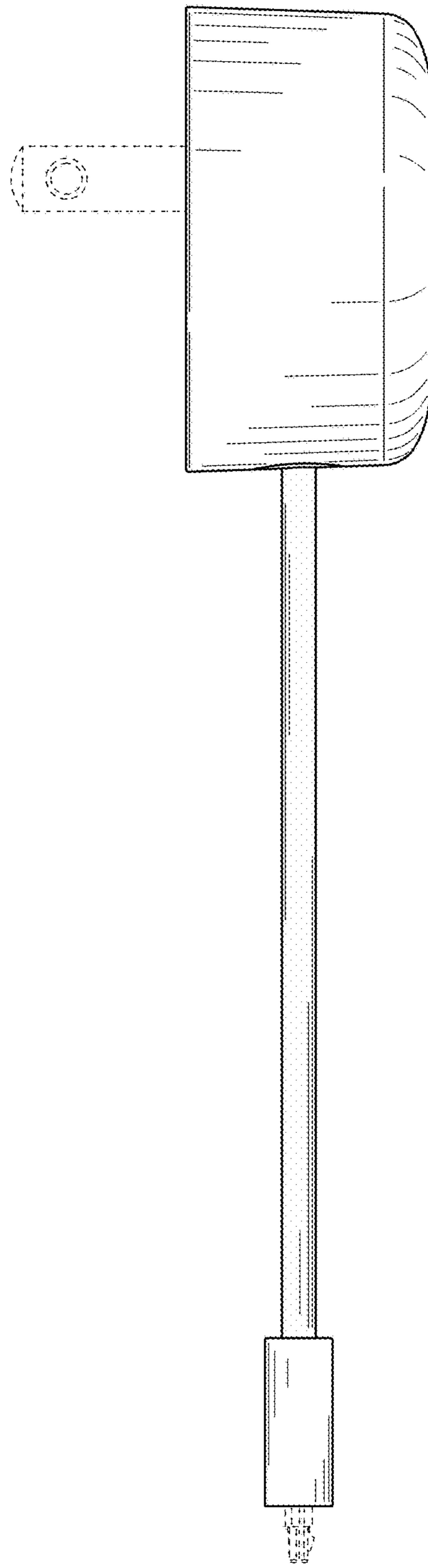


FIG. 29

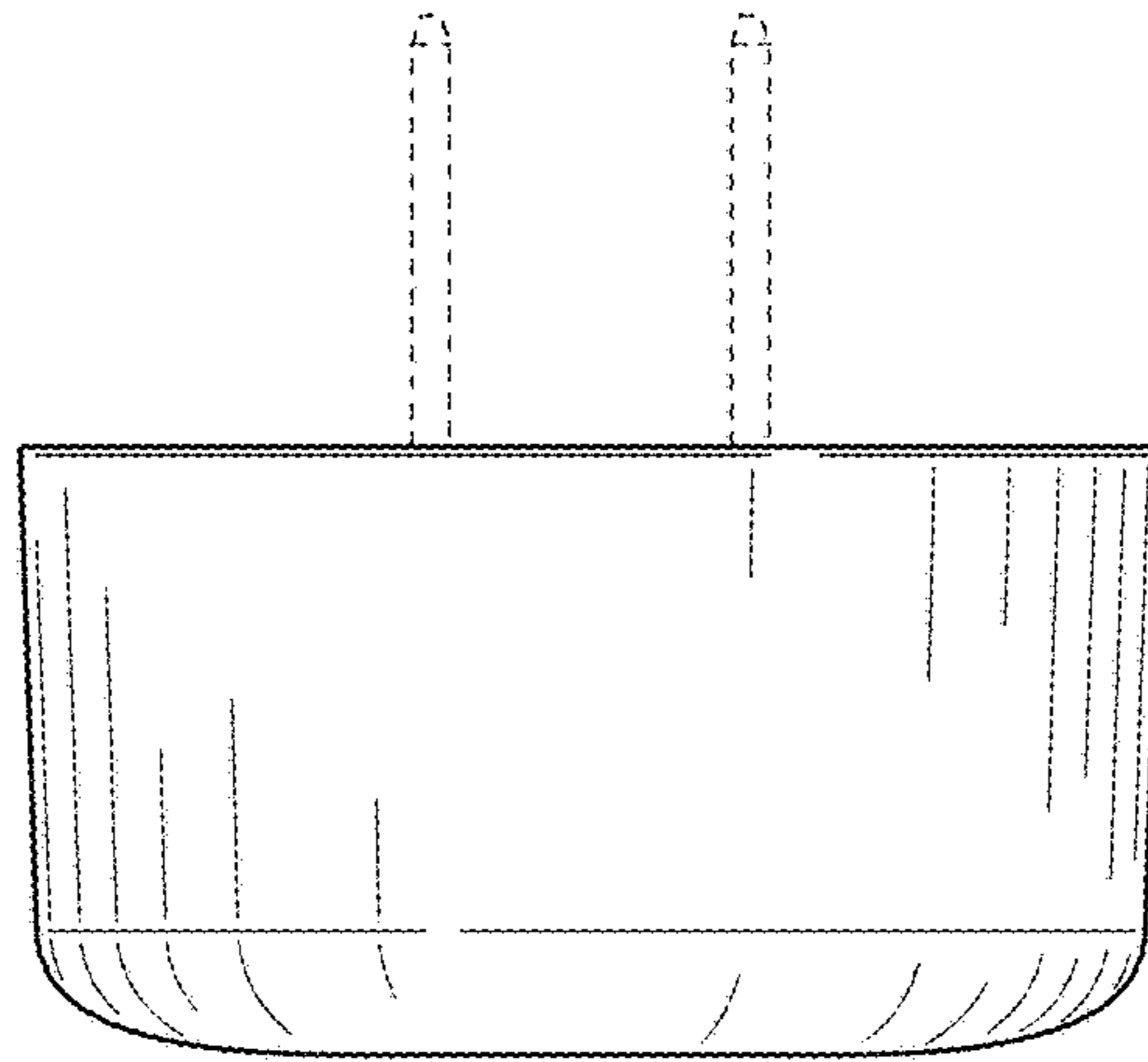


FIG. 30

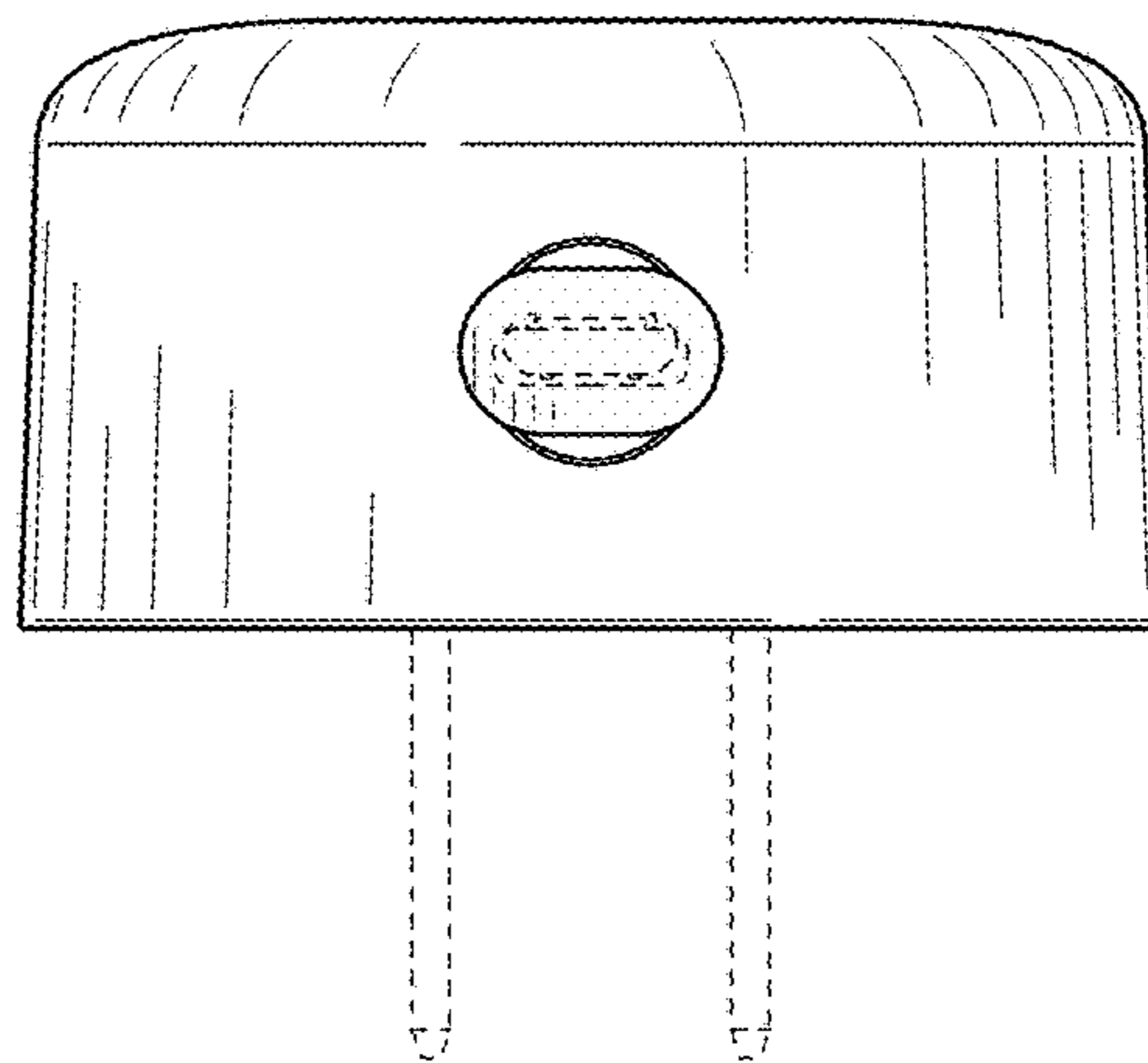


FIG. 31

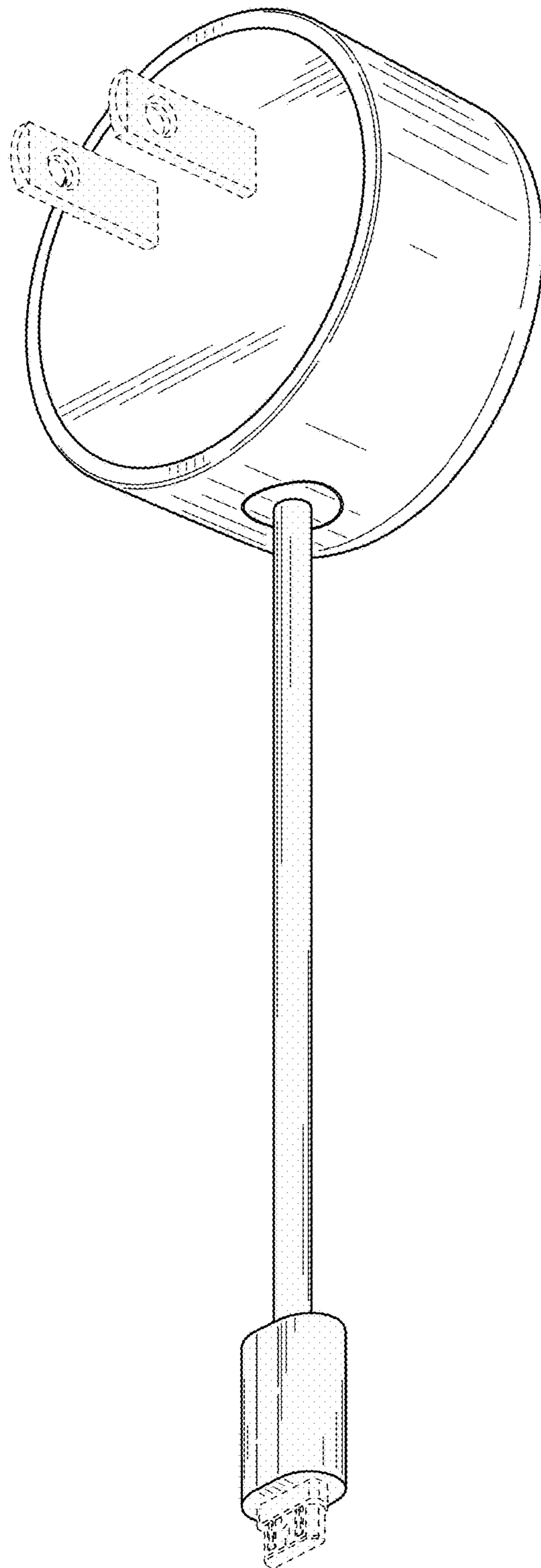


FIG. 32