



US00D851086S

(12) **United States Design Patent**
Chen et al.

(10) **Patent No.:** **US D851,086 S**
(45) **Date of Patent:** **** Jun. 11, 2019**

(54) **WIRELESS GAME CONTROLLER**

(71) Applicant: **Oculus VR, LLC**, Menlo Park, CA (US)

(72) Inventors: **Yi-yaun Chen**, Seattle, WA (US); **Peter Wesley Bristol**, Seattle, WA (US); **Quintin Morris**, Issaquah, WA (US)

(73) Assignee: **Facebook Technologies, LLC**, Menlo Park, CA (US)

(**) Term: **15 Years**

(21) Appl. No.: **29/633,025**

(22) Filed: **Jan. 11, 2018**

Related U.S. Application Data

(62) Division of application No. 29/579,091, filed on Sep. 27, 2016, now Pat. No. Des. 835,104.

(51) **LOC (11) Cl.** **14-02**

(52) **U.S. Cl.**
USPC **D14/401; D21/333**

(58) **Field of Classification Search**

USPC D14/496, 401, 435, 474, 483, 217, 137, D14/138, 160, 168, 356, 203.1–203.8, D14/507; 345/156, 169, 173–179, 905; 715/727–729, 864, 700, 706, 719; 710/1, 710/5, 8; 713/1, 600; 455/1.1, 1.7, 73, 455/344–347, 93, 95, 3.01–3.06, 550.1, 455/573.1; 370/342–344; 369/1, 2, 369/6–12; 463/51–57, 40–47, 1, 29–35; D21/324, 328, 333; 273/148 B
CPC .. A63F 13/00; A63F 13/02; A63F 9/00; G06F 17/00; G06F 19/00

See application file for complete search history.

(56) **References Cited**

U.S. PATENT DOCUMENTS

D656,996	S	*	4/2012	Mikhailov	D14/401
D772,986	S	*	11/2016	Chen	D14/203.3
D780,807	S	*	3/2017	Chen	D14/203.3
D795,959	S	*	8/2017	Chen	D14/203.3
D800,841	S	*	10/2017	Chen	D21/333
D802,055	S	*	11/2017	Chen	D21/333
D804,579	S	*	12/2017	Britt	D21/333
D804,580	S	*	12/2017	Britt	D21/333
D806,173	S	*	12/2017	Britt	D21/333
D812,693	S	*	3/2018	Chen	D21/333
D815,209	S	*	4/2018	Chen	D21/333
D815,210	S	*	4/2018	Chen	D21/333
D815,697	S	*	4/2018	Chen	D21/333
D817,300	S	*	5/2018	Bristol	D14/203.3
D819,638	S	*	6/2018	Lo	D14/388
D827,034	S	*	8/2018	Chen	D21/333
10,061,458	B1	*	8/2018	Bristol	G06F 3/016
D835,104	S	*	12/2018	Chen	D14/401
2016/0363996	A1	*	12/2016	Higgins	G06F 3/014

(Continued)

Primary Examiner — Keli L Hill

(74) *Attorney, Agent, or Firm* — FisherBroyles, LLP

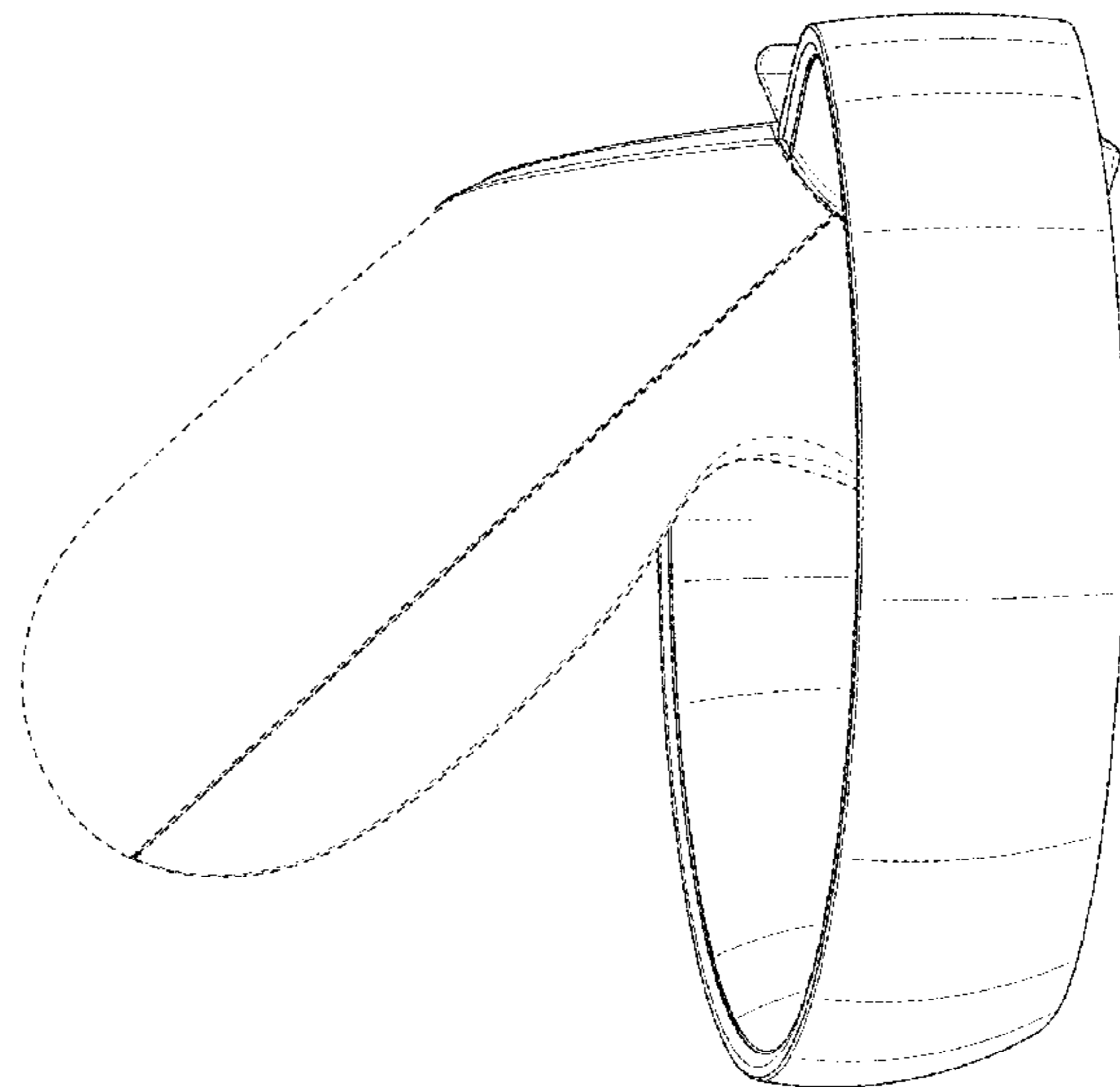
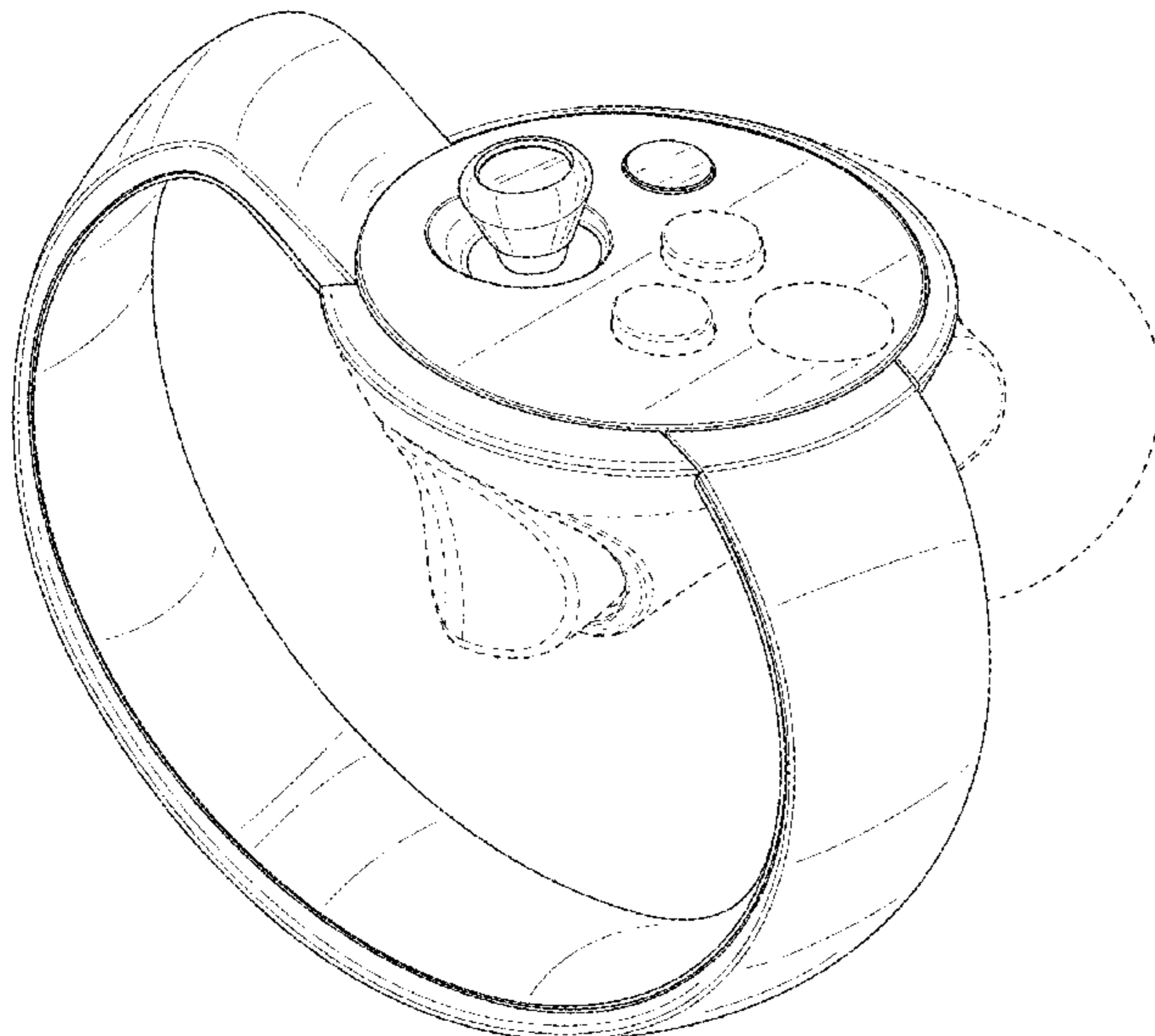
(57) **CLAIM**

The ornamental design for a wireless game controller, as shown and described.

DESCRIPTION

FIG. 1 is a front isometric view of a view of a wireless game controller, showing the new design.
FIG. 2 is a front elevation view thereof.
FIG. 3 is a rear elevation view thereof.
FIG. 4 is a left side elevation view thereof.
FIG. 5 is a right side elevation view thereof.
FIG. 6 is a top plan view thereof; and,
FIG. 7 is a bottom view thereof.
The broken lines shown are included for the purpose of illustrating portions of the wireless game controller that form no part of the claim.

1 Claim, 7 Drawing Sheets



(56)

References Cited

U.S. PATENT DOCUMENTS

2016/0364910 A1* 12/2016 Higgins G02B 27/017
2017/0128828 A1* 5/2017 Long A63F 13/235
2017/0136351 A1* 5/2017 Long A63F 13/24
2017/0189802 A1* 7/2017 Rogoza A63F 13/245
2017/0192506 A1* 7/2017 Andersen G06F 3/014
2018/0296913 A1* 10/2018 Chen A63F 13/214
2018/0311575 A1* 11/2018 Bristol A63F 13/24

* cited by examiner

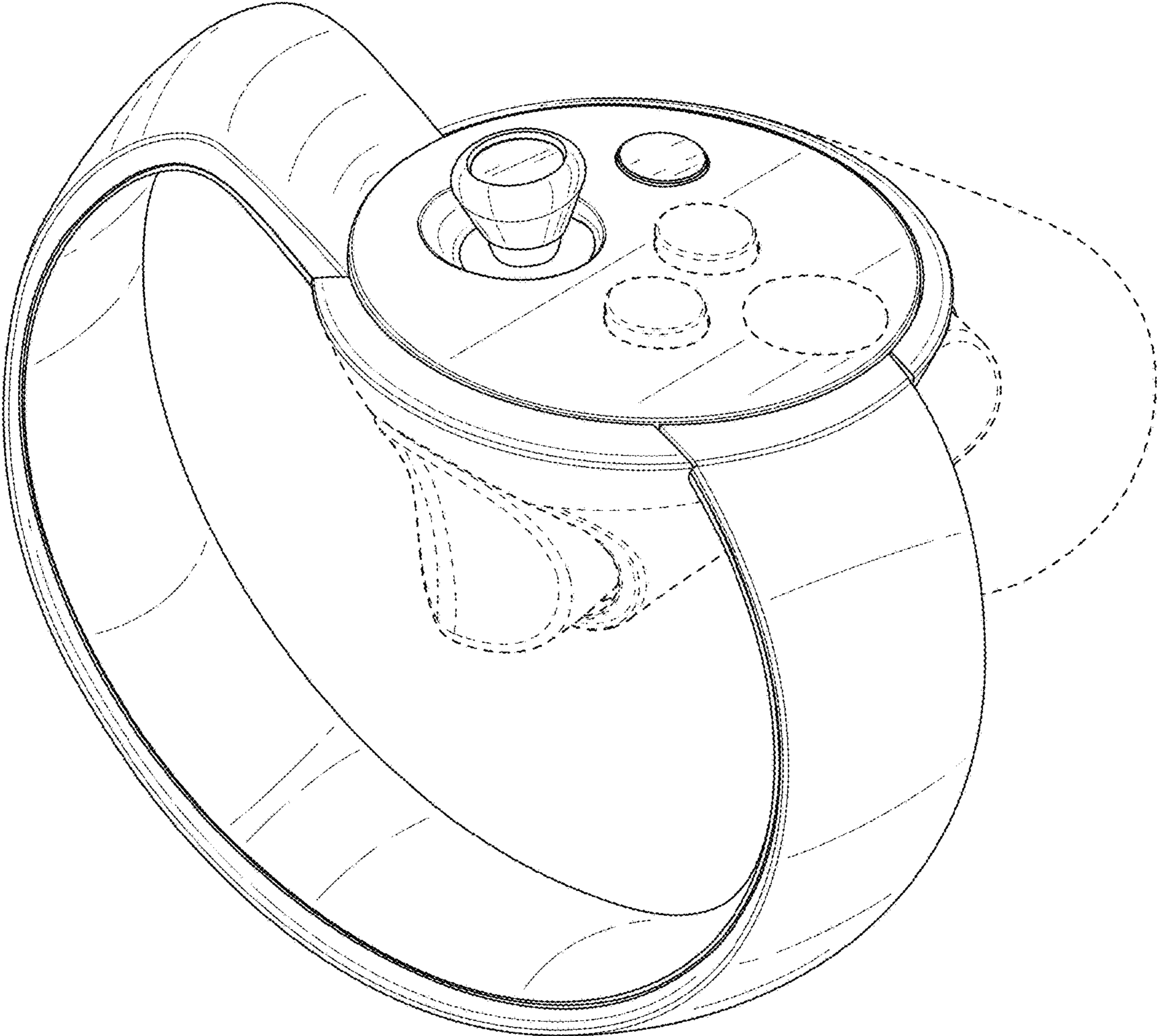


Fig. 1

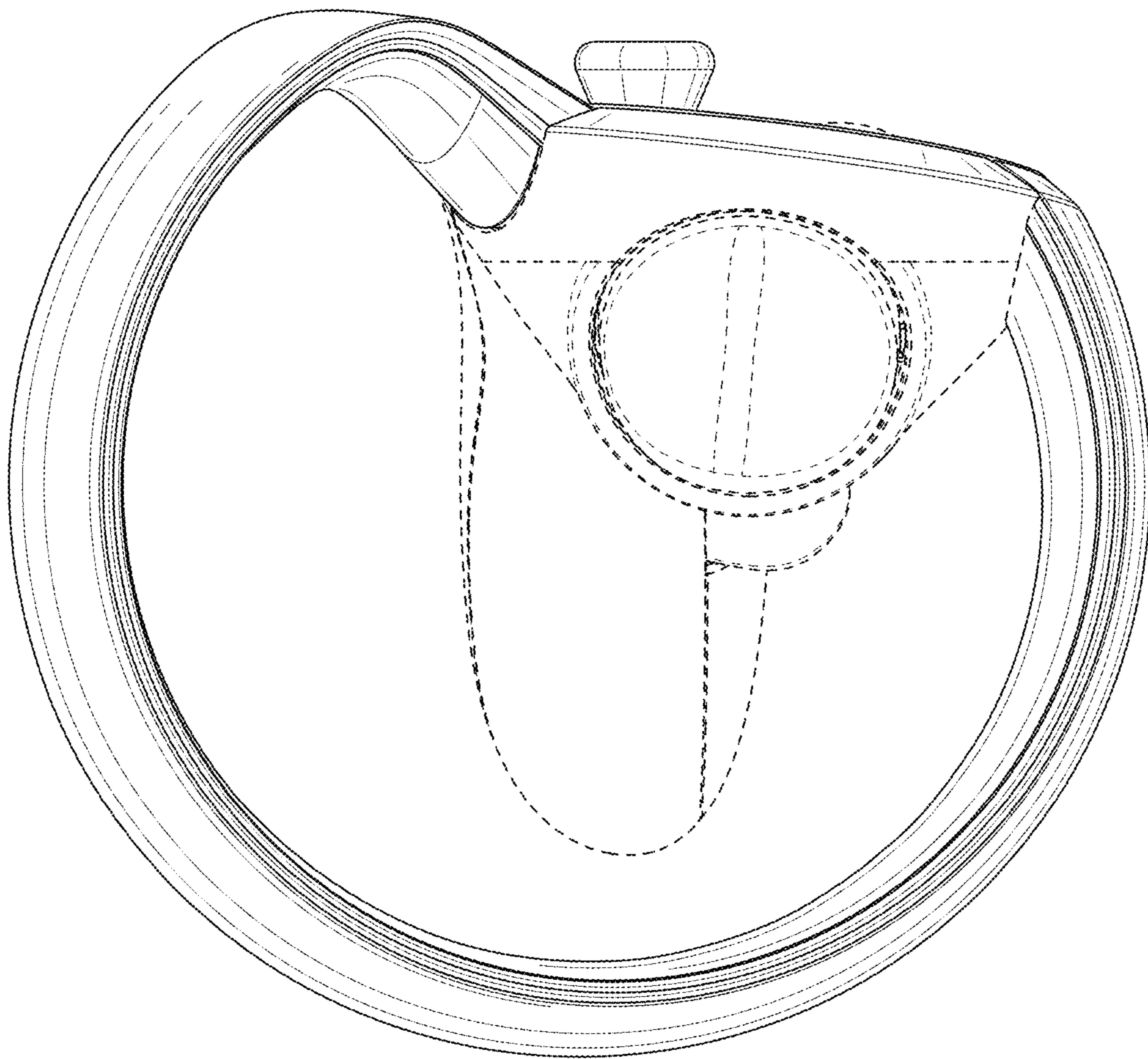


Fig. 2

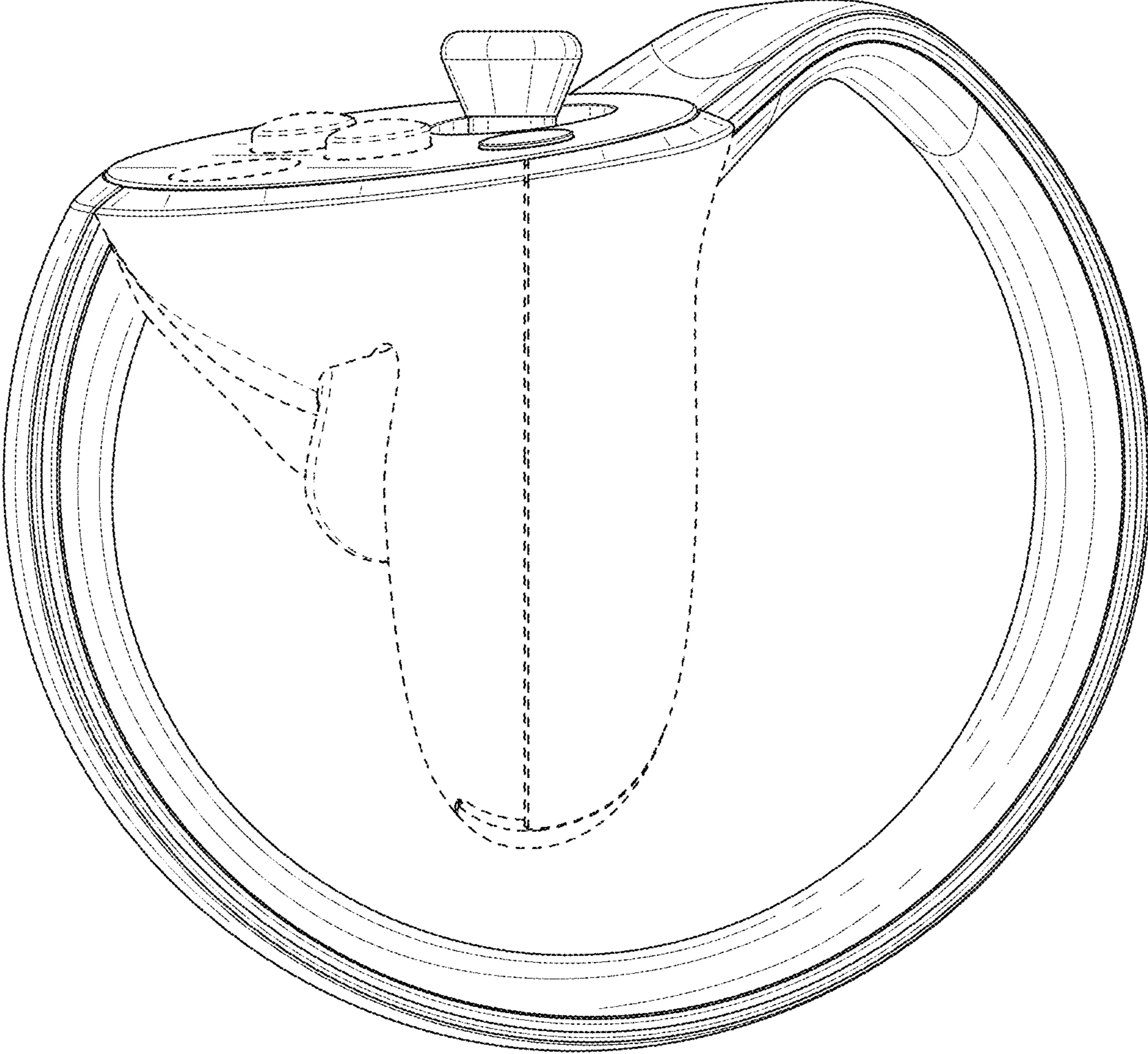


Fig. 3

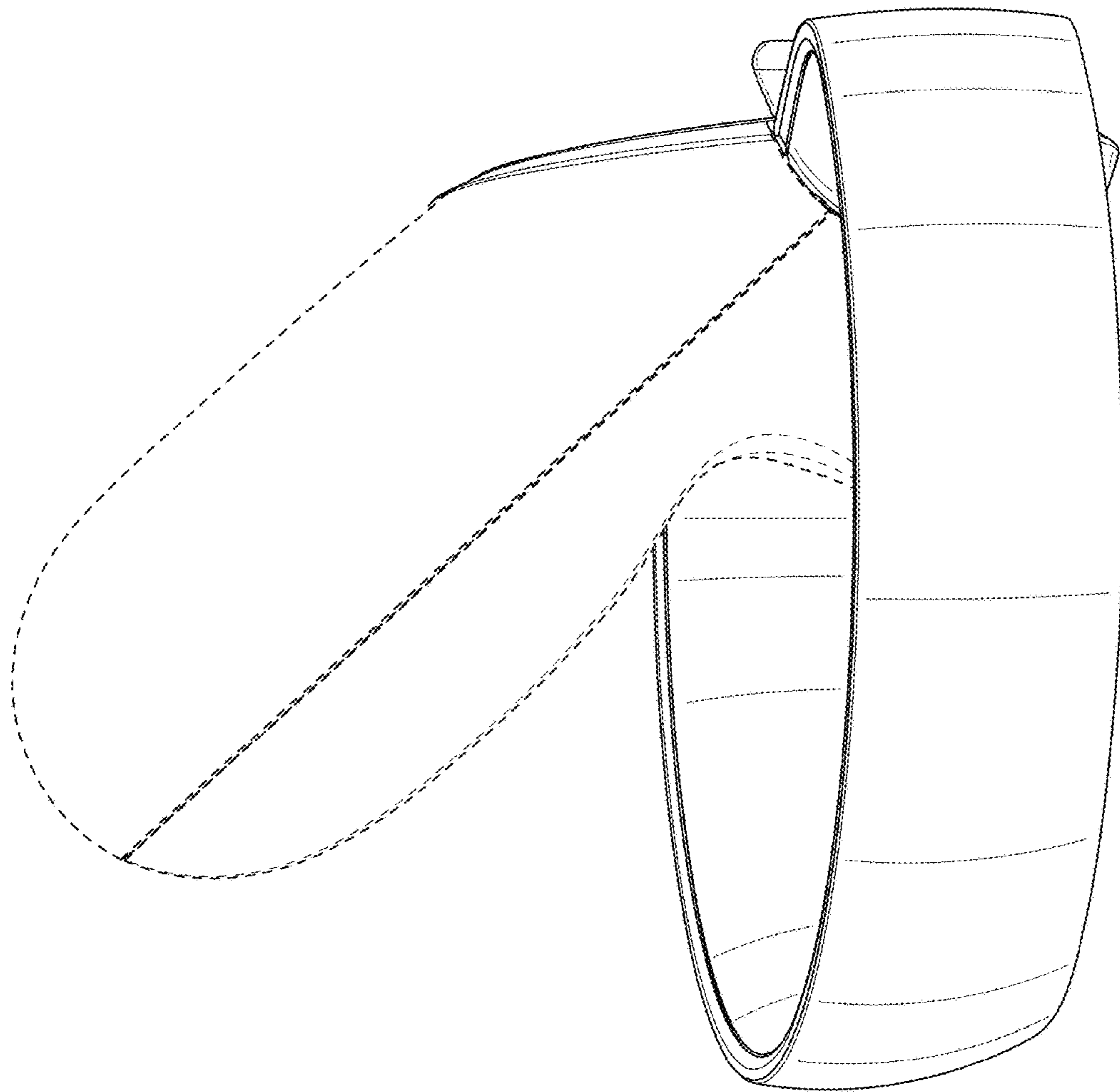


Fig. 4

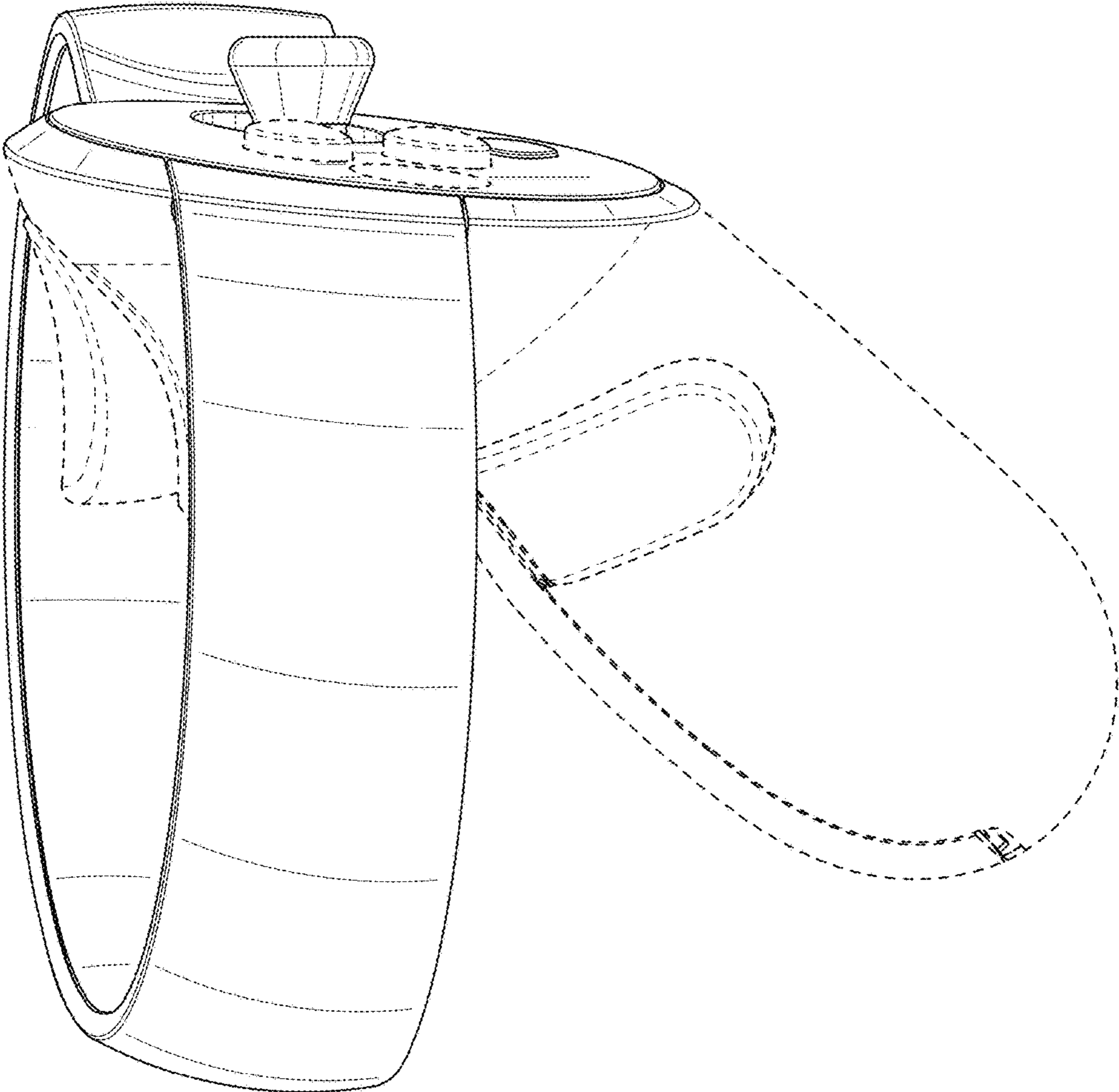


Fig. 5

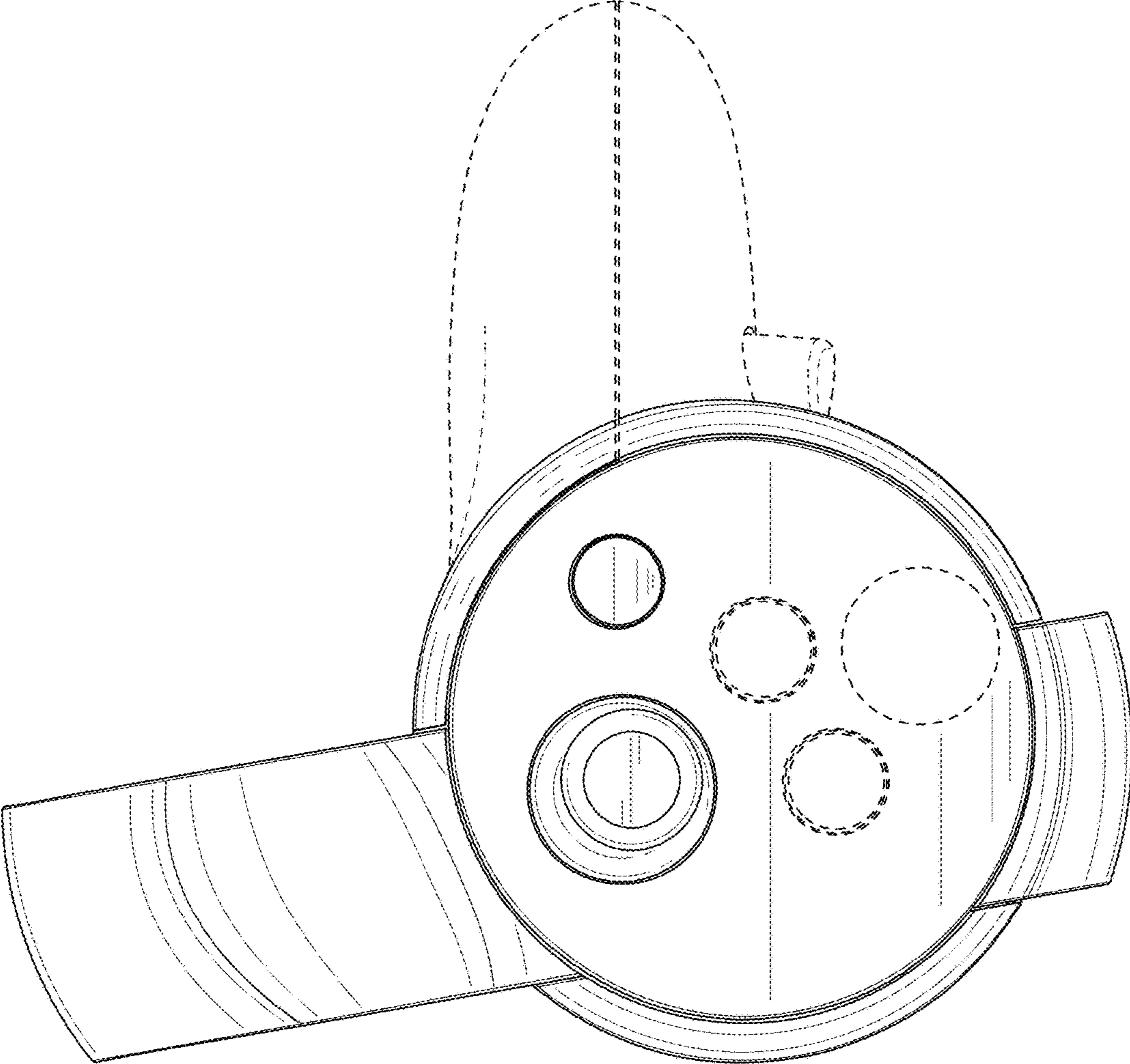


Fig. 6

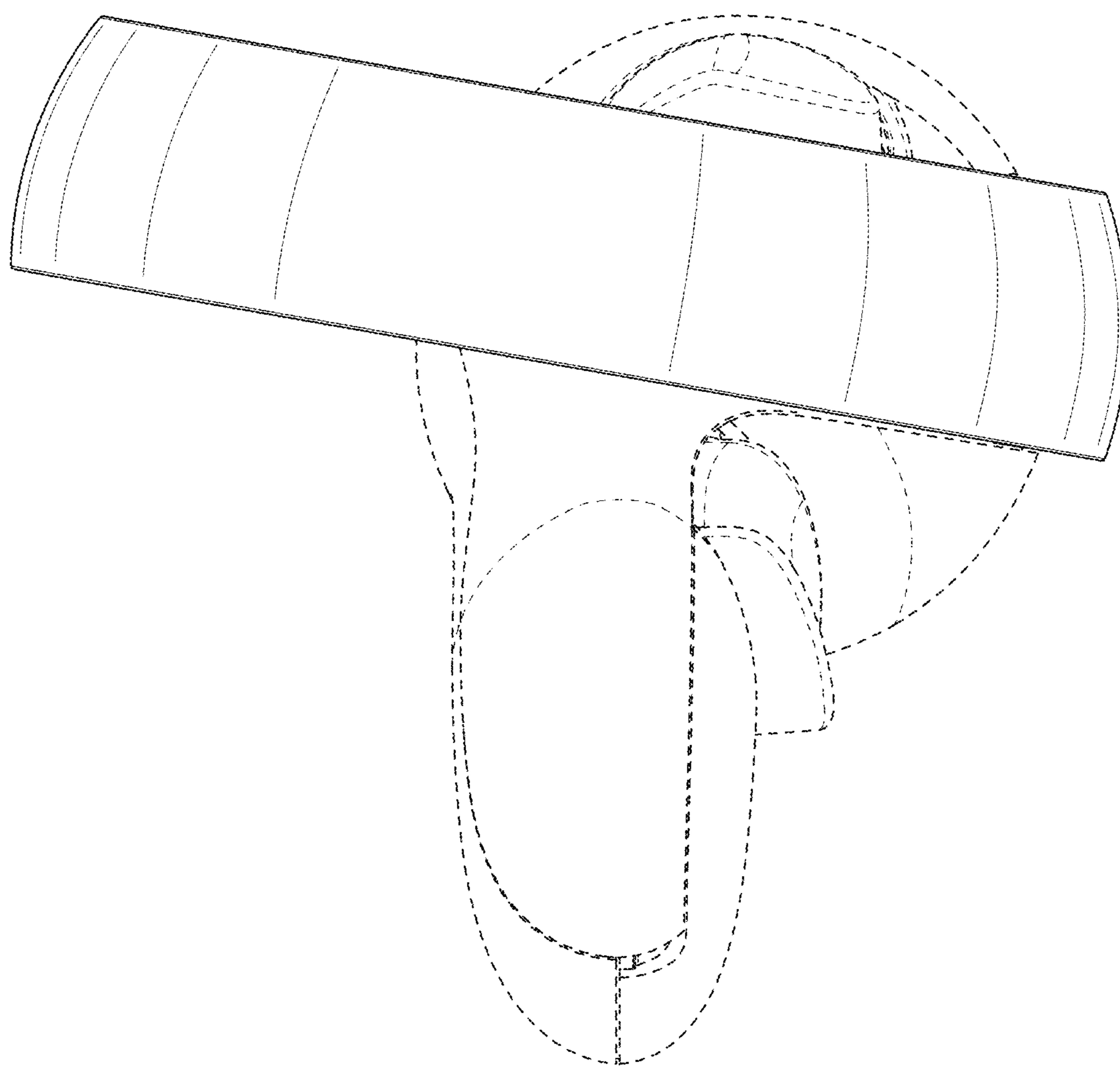


Fig. 7