



US00D851084S

(12) **United States Design Patent**
Yuan

(10) **Patent No.:** **US D851,084 S**

(45) **Date of Patent:** **** Jun. 11, 2019**

(54) **WIRELESS KEYBOARD**

(71) Applicant: **Tianliang Yuan**, Guangdong (CN)

(72) Inventor: **Tianliang Yuan**, Guangdong (CN)

(**) Term: **15 Years**

(21) Appl. No.: **29/611,400**

(22) Filed: **Jul. 21, 2017**

(51) **LOC (11) Cl.** **14-02**

(52) **U.S. Cl.**
USPC **D14/315**

(58) **Field of Classification Search**
USPC D14/315-327; D18/1, 2, 7, 11;
235/145 A, 145 R; 341/22, 23; 345/104,
345/156, 168, 169, 173; 361/679.08,
361/679.09, 679.11, 679.26, 679.27
CPC G06F 1/16; G06F 1/1616; G06F 1/1626;
G06F 1/1632; G06F 1/1613; G06F
1/1601; G06F 1/1618; G06F 1/162; G06F
1/166; G06F 1/1654; G06F 1/1681; G06F
1/1637; G06F 1/1688; G06F 1/1656;
H01R 35/02; H03M 11/00; G09B 13/04;
H03K 17/94; G09G 5/00; F16M 11/10;
H05K 5/00; H04M 1/0237

See application file for complete search history.

(56) **References Cited**

U.S. PATENT DOCUMENTS

D755,781 S *	5/2016	Schoenith	D14/315
D758,359 S *	6/2016	Reed	D14/315
2004/0074050 A1 *	4/2004	Birtley	E05D 11/087 16/340
2005/0041378 A1 *	2/2005	Hamada	G06F 1/1616 361/679.01
2011/0255727 A1 *	10/2011	Azuchi	G06F 1/1616 381/333

* cited by examiner

Primary Examiner — Freda S Nunn

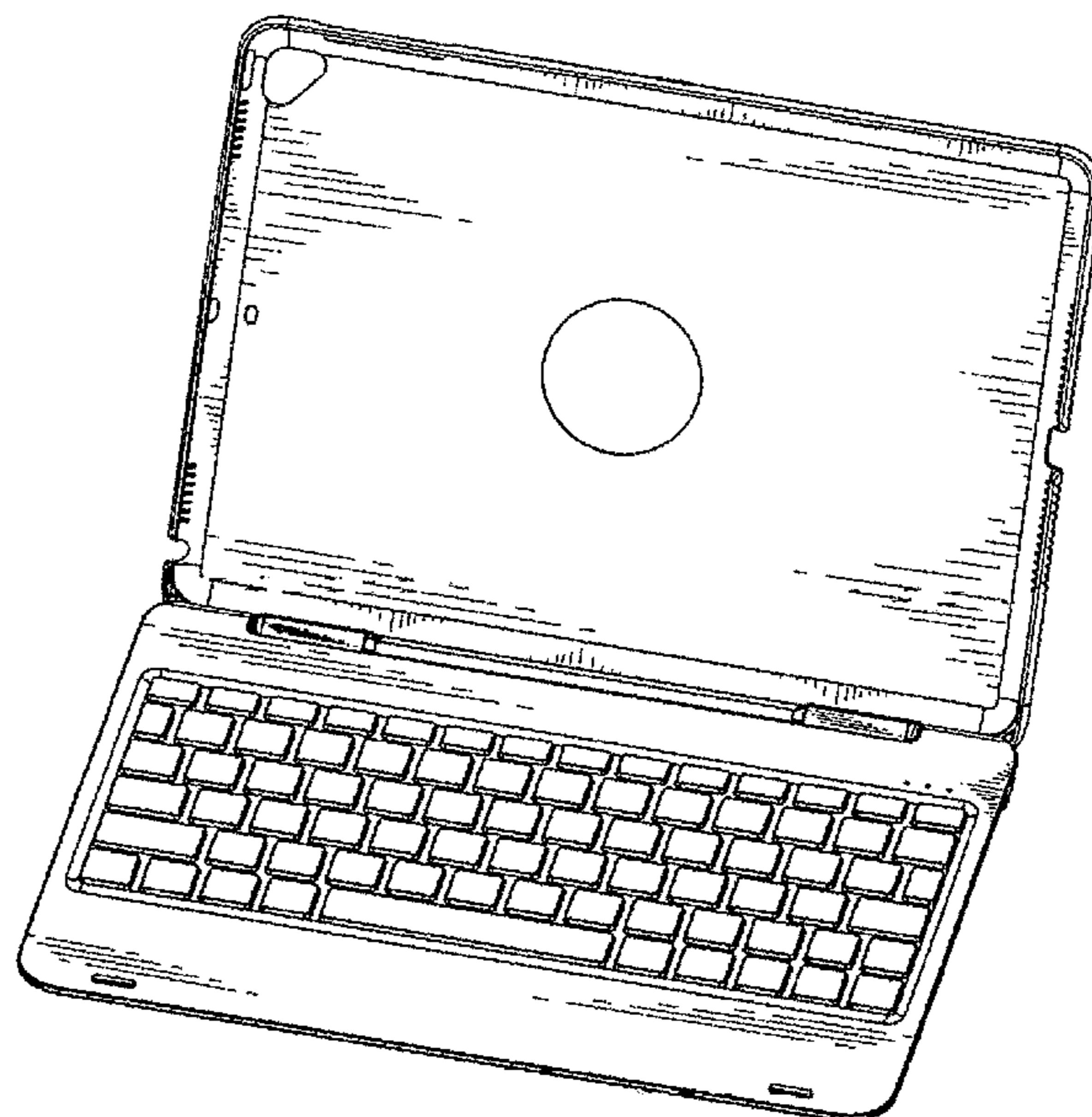
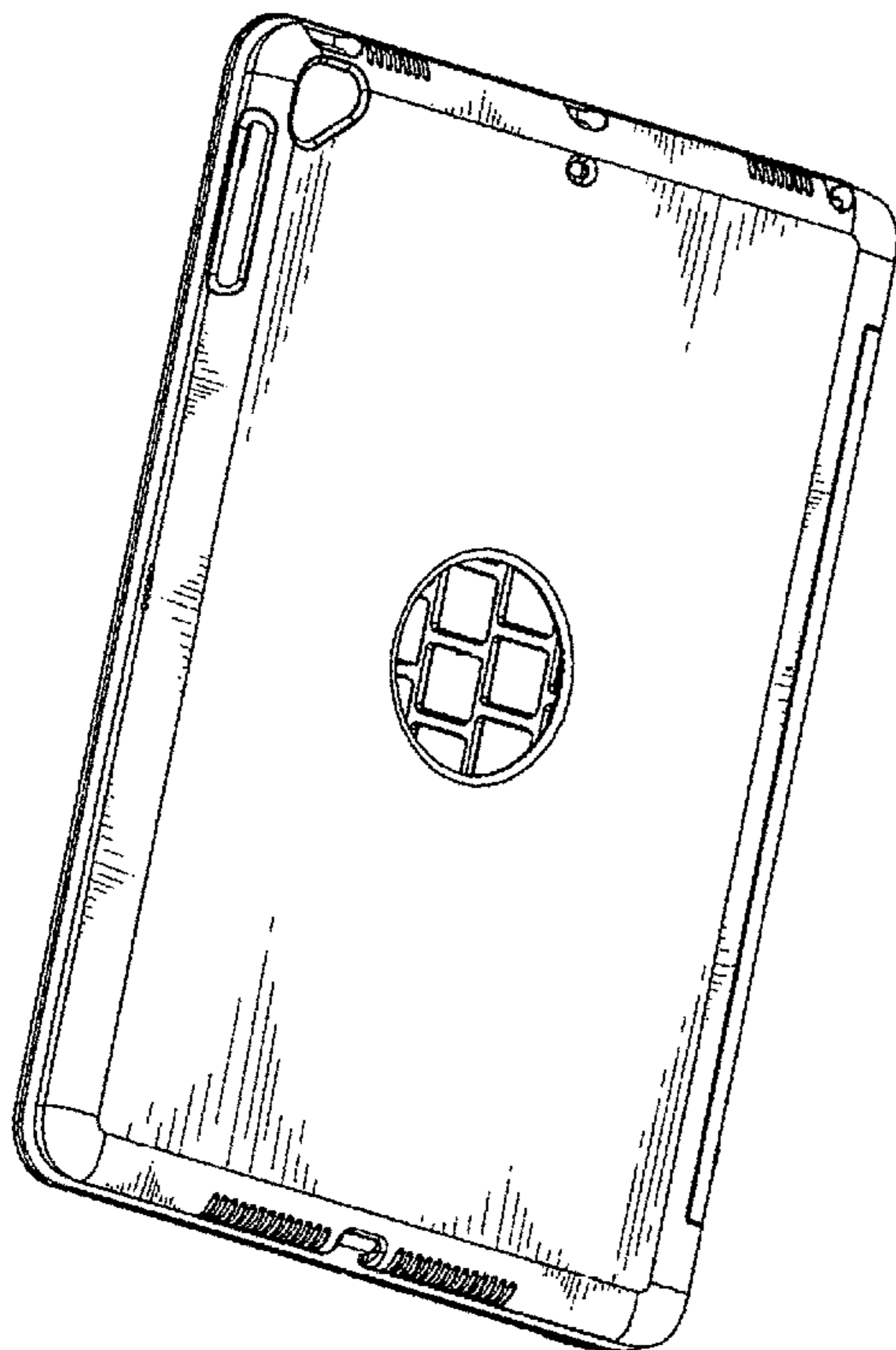
(57) **CLAIM**

The ornamental design for wireless keyboard, as shown and described.

DESCRIPTION

FIG. 1 is a perspective view of wireless keyboard showing my new design;
FIG. 2 is a top plan view thereof;
FIG. 3 is a bottom plan view thereof;
FIG. 4 is a front view thereof;
FIG. 5 is a rear view thereof;
FIG. 6 is a left side view thereof;
FIG. 7 is a right side view thereof; and,
FIG. 8 is a perspective view thereof in the open state.

1 Claim, 8 Drawing Sheets



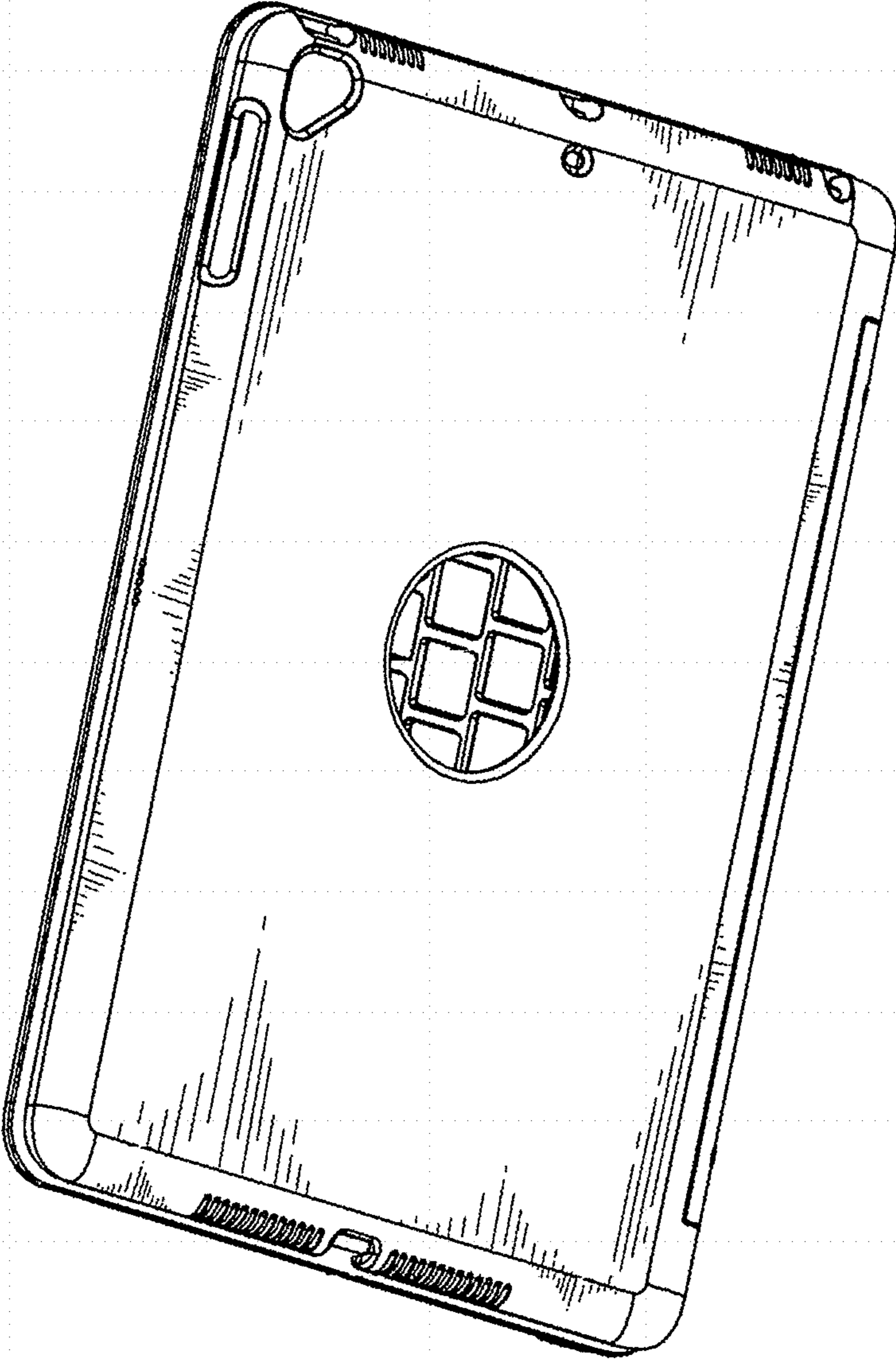


FIG. 1

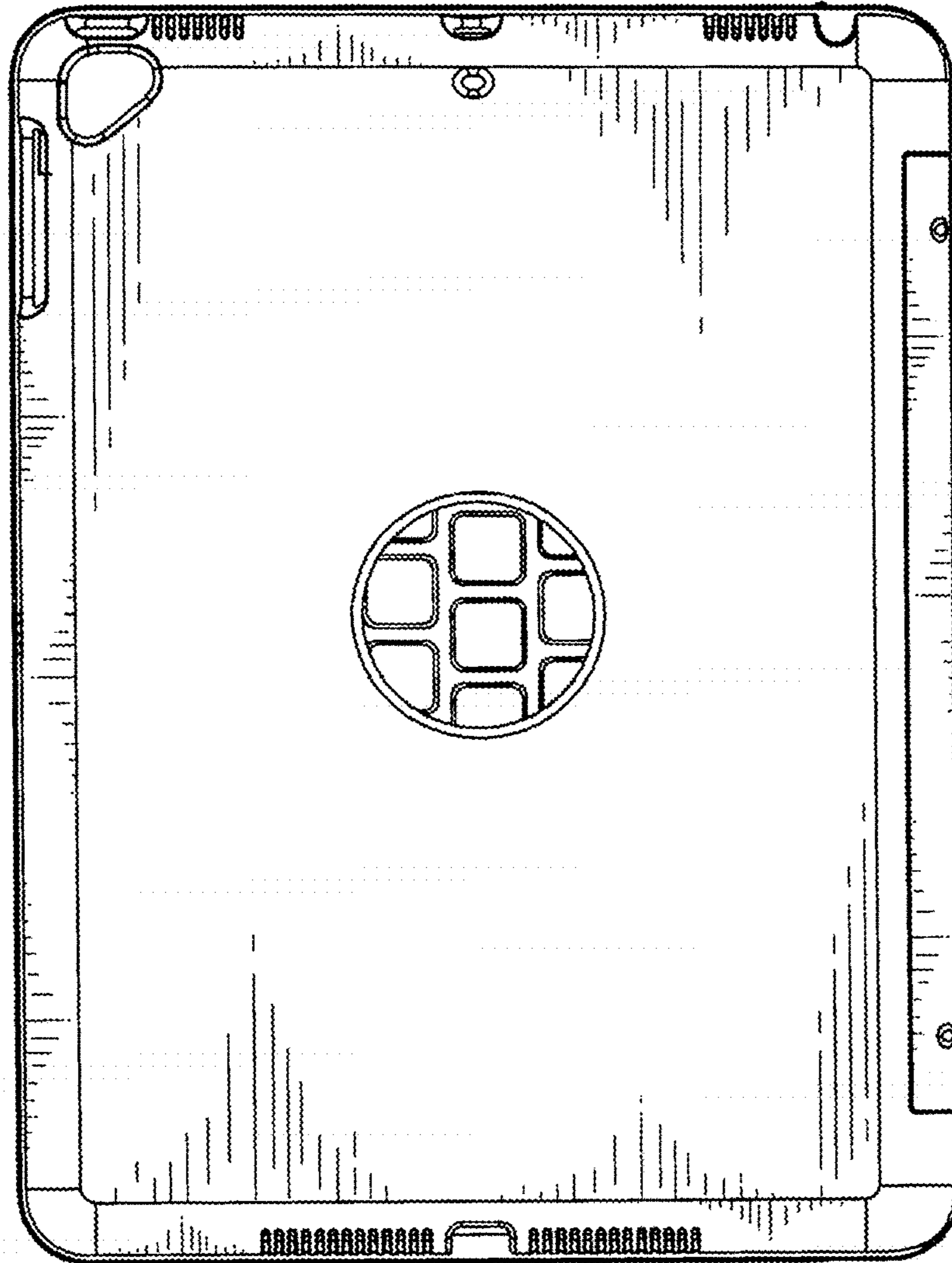


FIG. 2

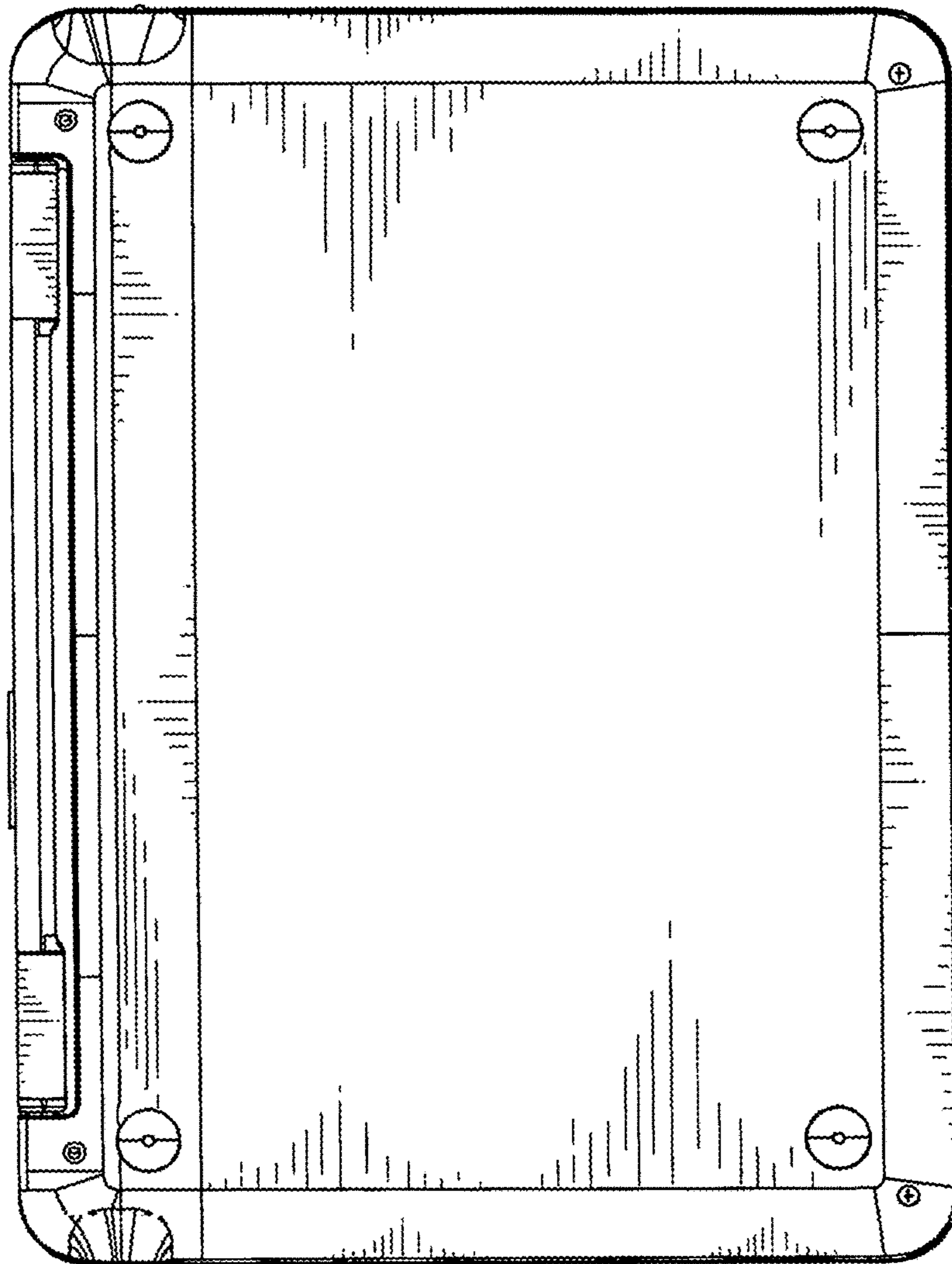


FIG. 3

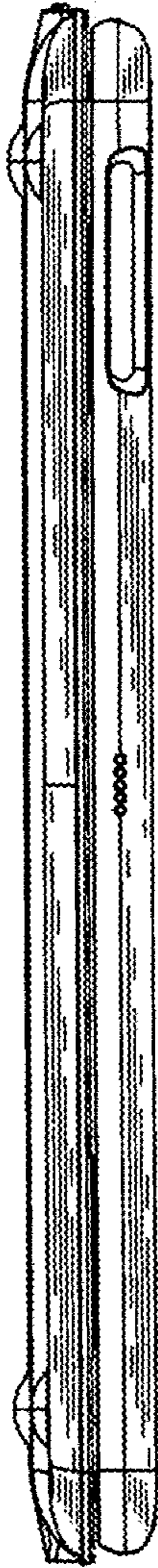


FIG. 4

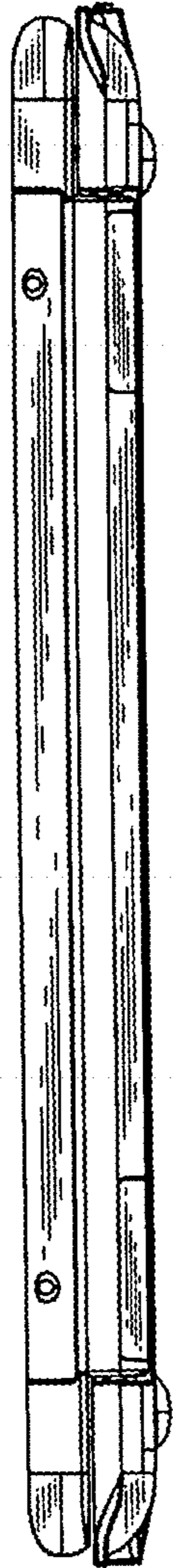


FIG. 5

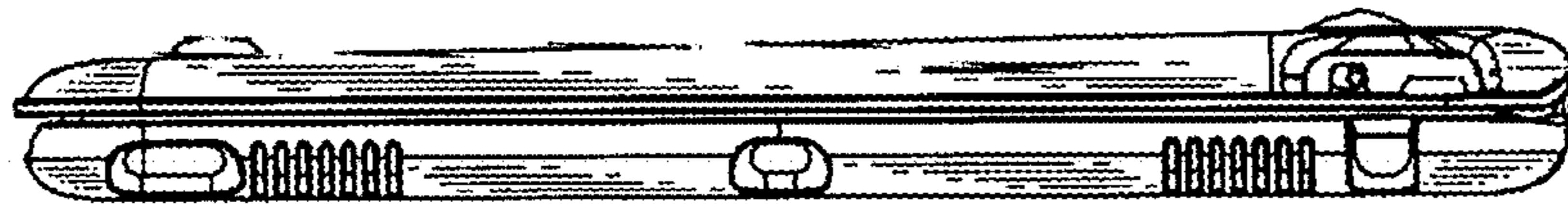


FIG. 6

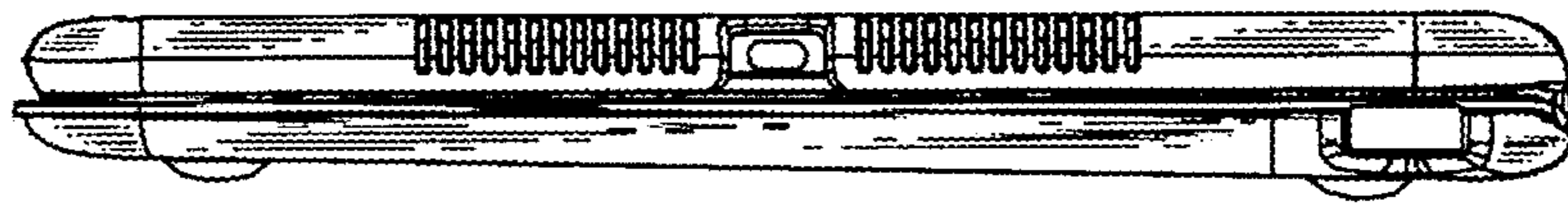


FIG. 7

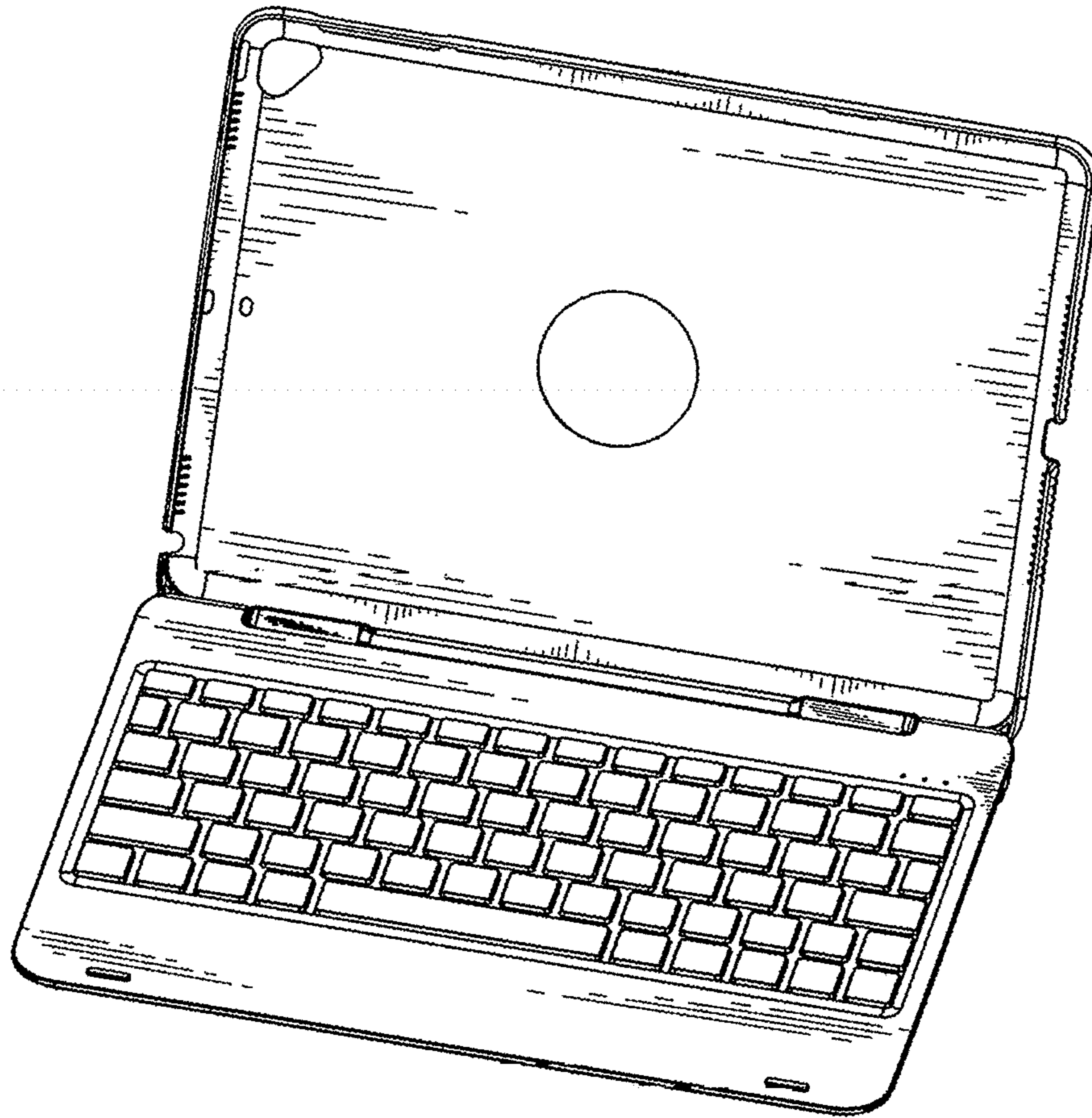


FIG. 8