



US00D851073S

(12) **United States Design Patent**  
**Tong**

(10) **Patent No.:** **US D851,073 S**  
(45) **Date of Patent:** **\*\* Jun. 11, 2019**

- (54) **MICROPHONE**
- (71) Applicant: **RAZER (ASIA-PACIFIC) PTE. LTD.,**  
Singapore (SG)
- (72) Inventor: **Ien Yu Tong, Johor (MY)**
- (73) Assignee: **RAZER (ASIA-PACIFIC) PTE. LTD.,**  
Singapore
- (\*\*) Term: **15 Years**
- (21) Appl. No.: **29/665,351**
- (22) Filed: **Oct. 2, 2018**

|               |         |                  |           |
|---------------|---------|------------------|-----------|
| D233,669 S *  | 11/1974 | Plice .....      | D14/228   |
| 4,383,487 A * | 5/1983  | Fitzner .....    | A47F 5/04 |
|               |         |                  | 108/150   |
| D309,266 S *  | 7/1990  | Kaneko .....     | D10/15    |
| D529,484 S *  | 10/2006 | Probst .....     | D14/228   |
| D594,856 S *  | 6/2009  | Marshall .....   | D14/228   |
| D704,168 S *  | 5/2014  | Godfrey .....    | D14/225   |
| D737,253 S *  | 8/2015  | Henricksen ..... | D14/228   |
| D766,303 S *  | 9/2016  | Anzures .....    | D14/486   |
| D818,538 S *  | 5/2018  | Mantis .....     | D19/189   |
| D834,004 S *  | 11/2018 | Chen .....       | D14/226   |
| D834,564 S *  | 11/2018 | Chen .....       | D14/226   |

\* cited by examiner

*Primary Examiner* — Katie Jane Stofko  
(74) *Attorney, Agent, or Firm* — Polsinelli PC

**Related U.S. Application Data**

- (62) Division of application No. 29/621,898, filed on Oct. 12, 2017, now Pat. No. Des. 842,278.
- (51) **LOC (11) Cl.** ..... **14-01**
- (52) **U.S. Cl.**  
USPC ..... **D14/227**
- (58) **Field of Classification Search**  
USPC ..... D14/224–229; D16/244; D17/99;  
D6/672, 681, 682; 248/125.1, 166, 185.1;  
381/355, 359, 361–363, 365, 366, 369,  
381/375; 379/428.01, 428.04, 431,  
379/433.03  
CPC . H04R 25/00; H04R 1/02; H04R 5/02; H04R  
9/08; F16M 11/38; F16M 13/00; F16M  
11/00  
See application file for complete search history.

(56) **References Cited**

**U.S. PATENT DOCUMENTS**

|              |         |               |         |
|--------------|---------|---------------|---------|
| D171,055 S * | 12/1953 | Schell .....  | D14/225 |
| D199,398 S * | 10/1964 | Freeman ..... | D14/227 |

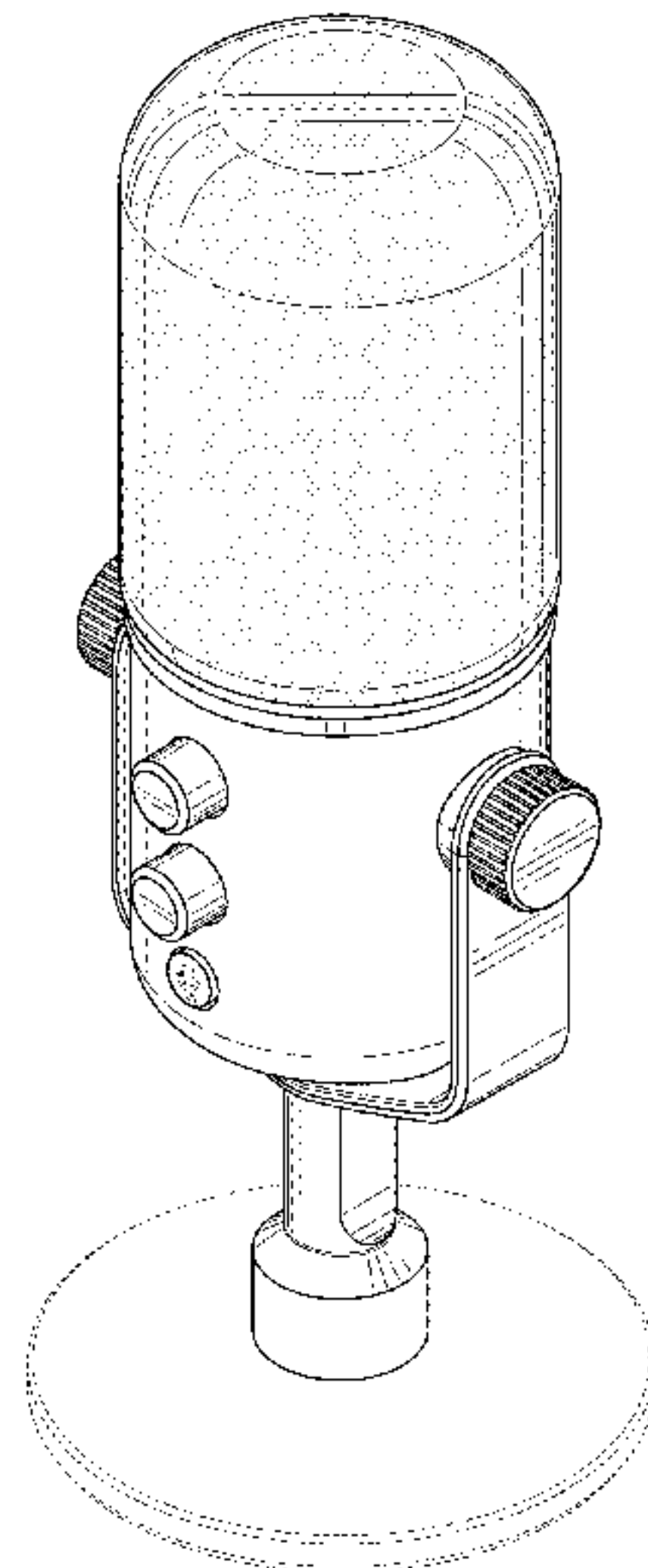
(57) **CLAIM**

I claim the ornamental design for a microphone, as shown and described.

**DESCRIPTION**

FIG. 1 is a tilted, perspective view of a microphone, showing my new design.  
 FIG. 2 is a straight, perspective view thereof;  
 FIG. 3 is a front elevational view thereof;  
 FIG. 4 is a rear elevational view thereof;  
 FIG. 5 is a left side elevational view thereof;  
 FIG. 6 is a right side elevational view thereof;  
 FIG. 7 is a top plan view thereof; and,  
 FIG. 8 is a bottom plan view thereof.  
 Broken lines are for illustrating portions of the microphone which form no part of the claimed design.

**1 Claim, 8 Drawing Sheets**



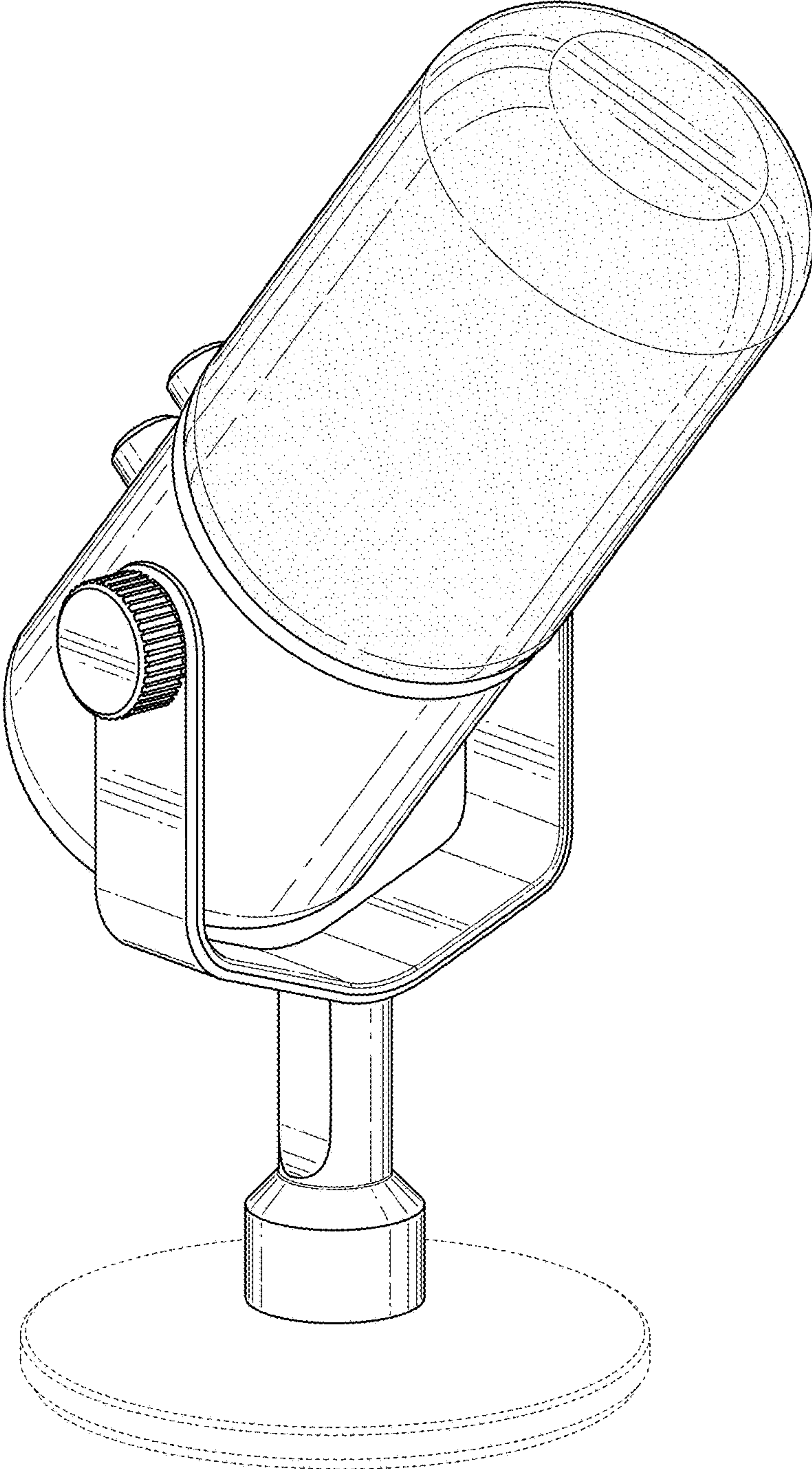


FIG. 1

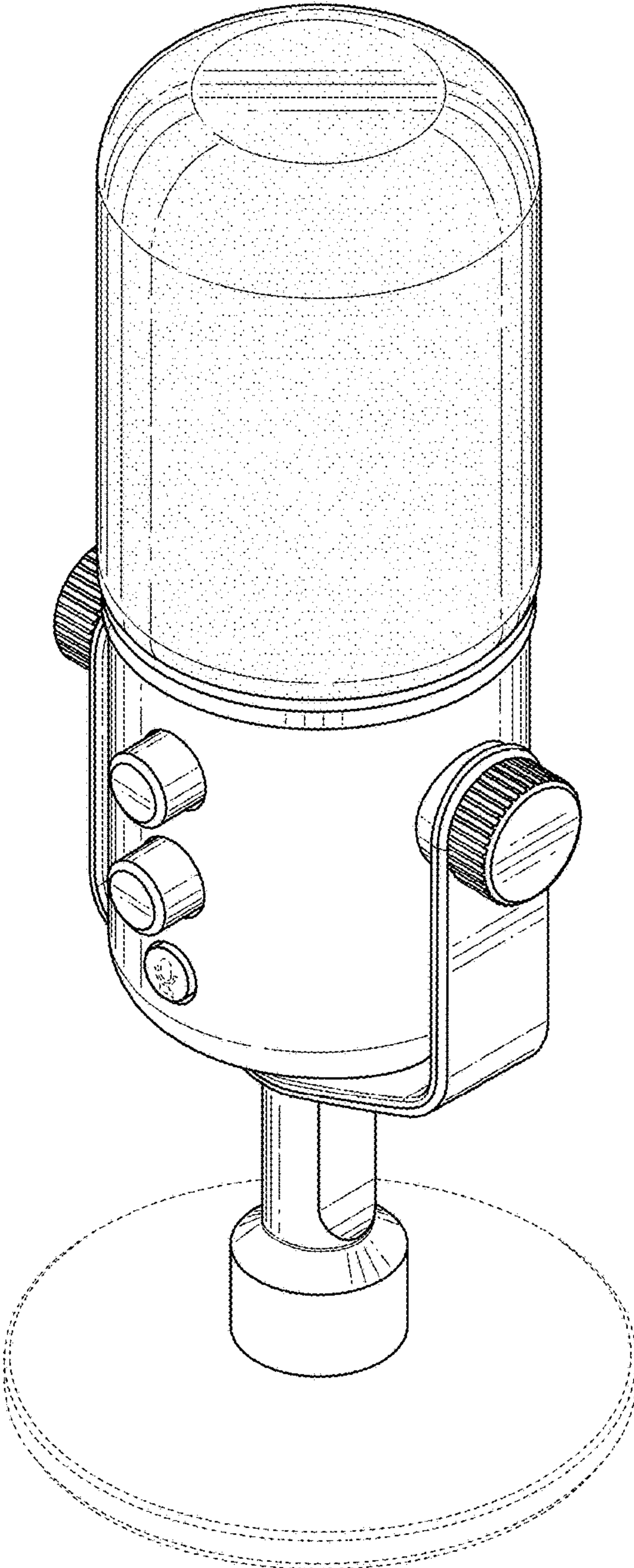


FIG. 2



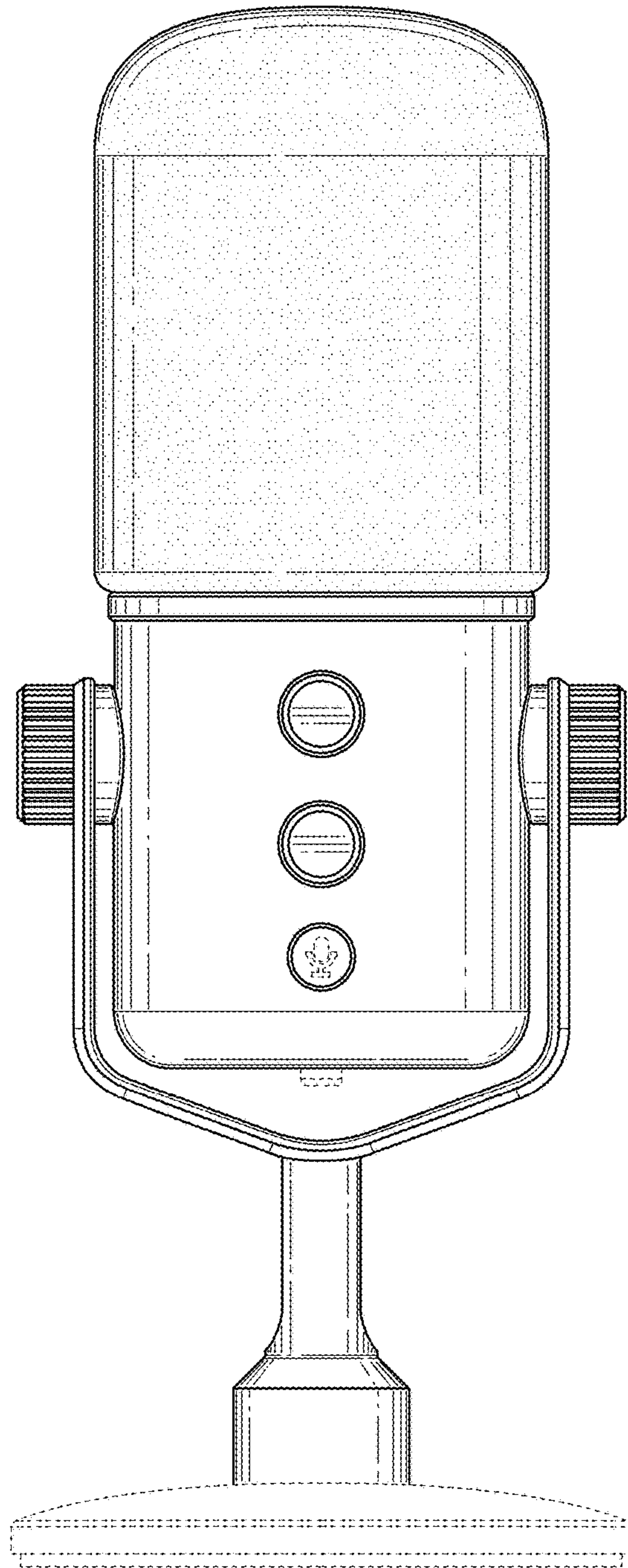


FIG. 3

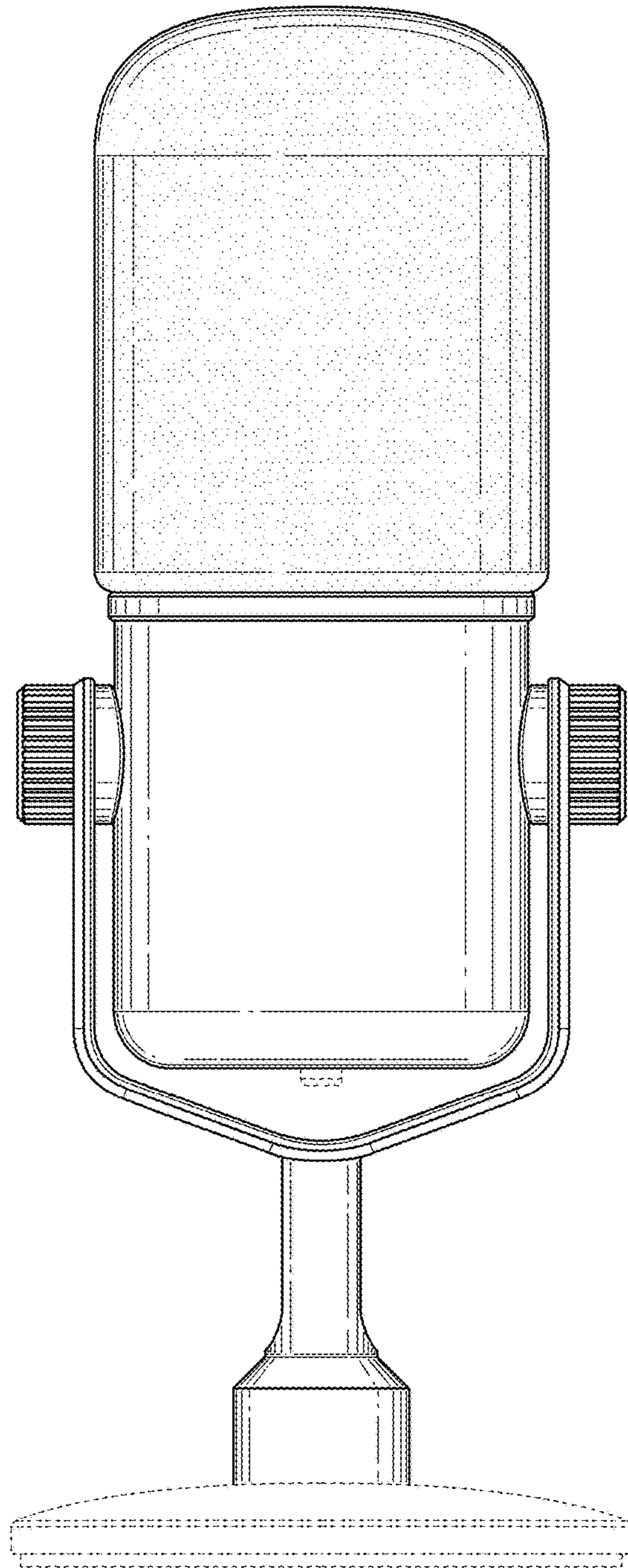


FIG. 4

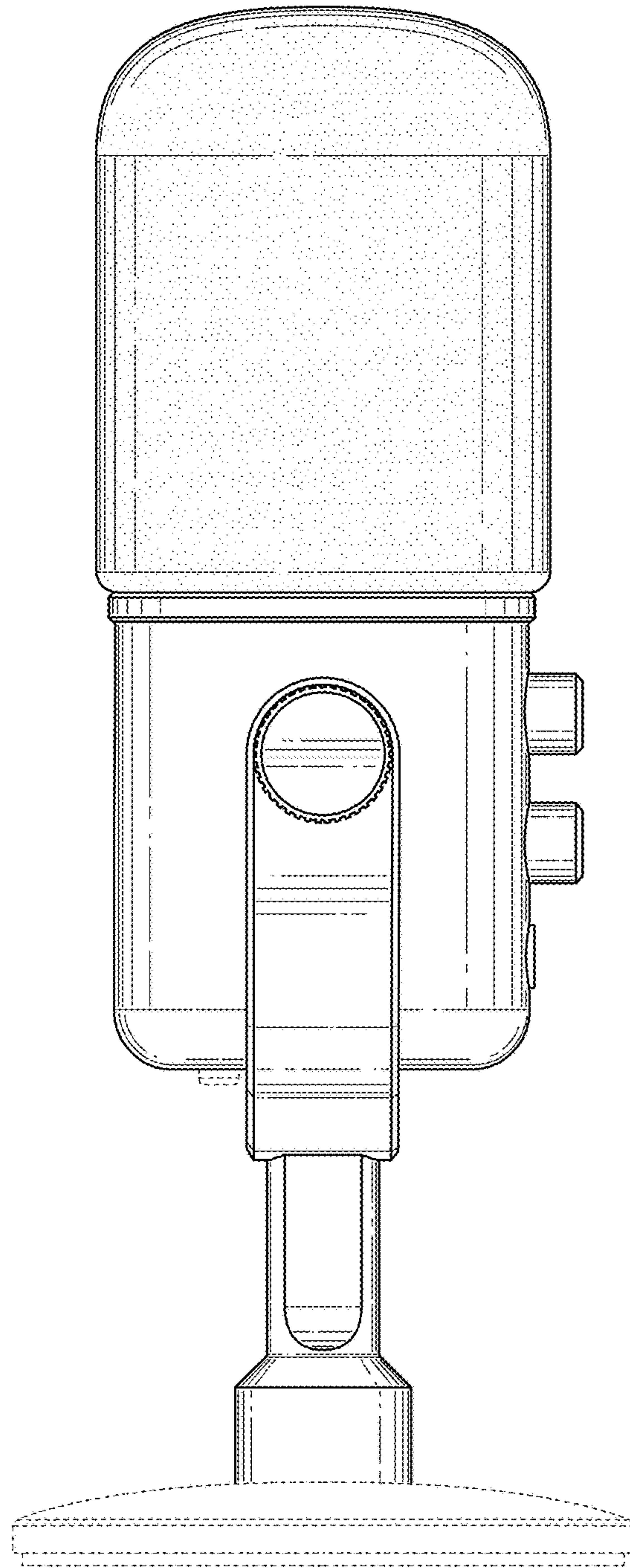


FIG. 5

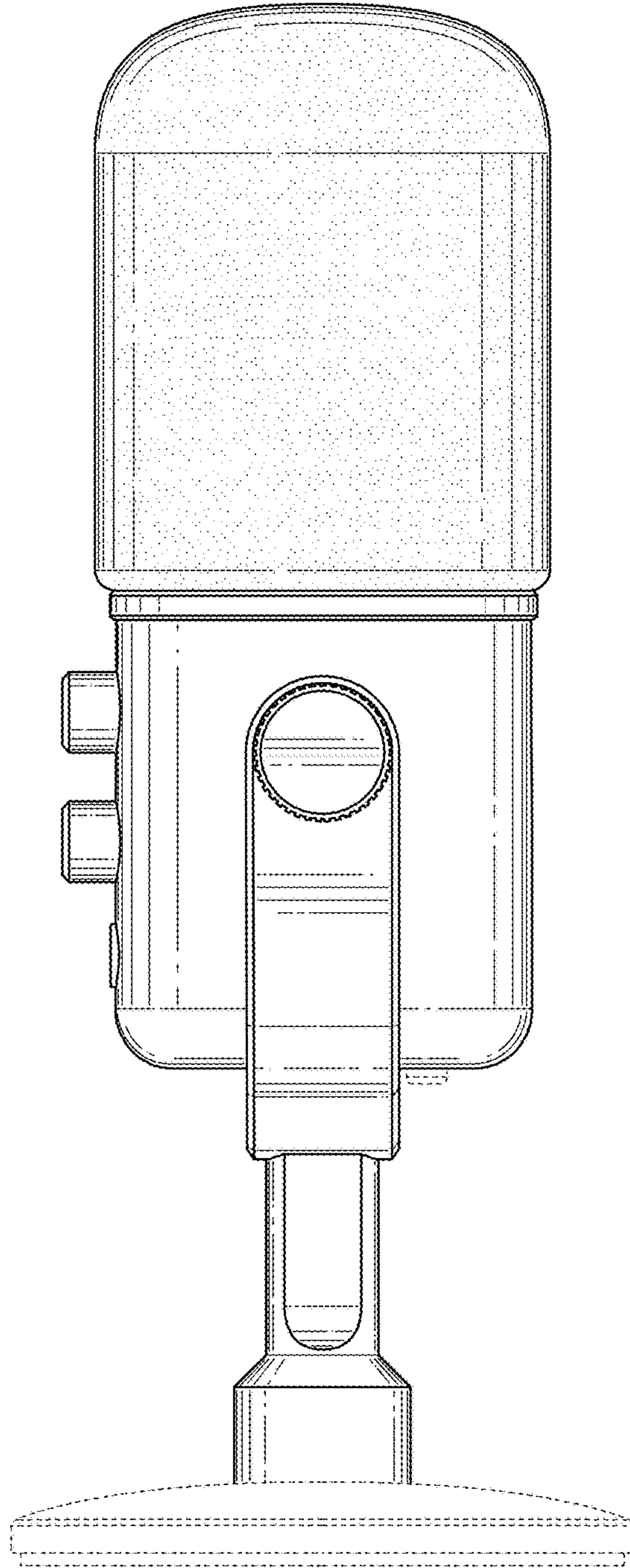


FIG. 6

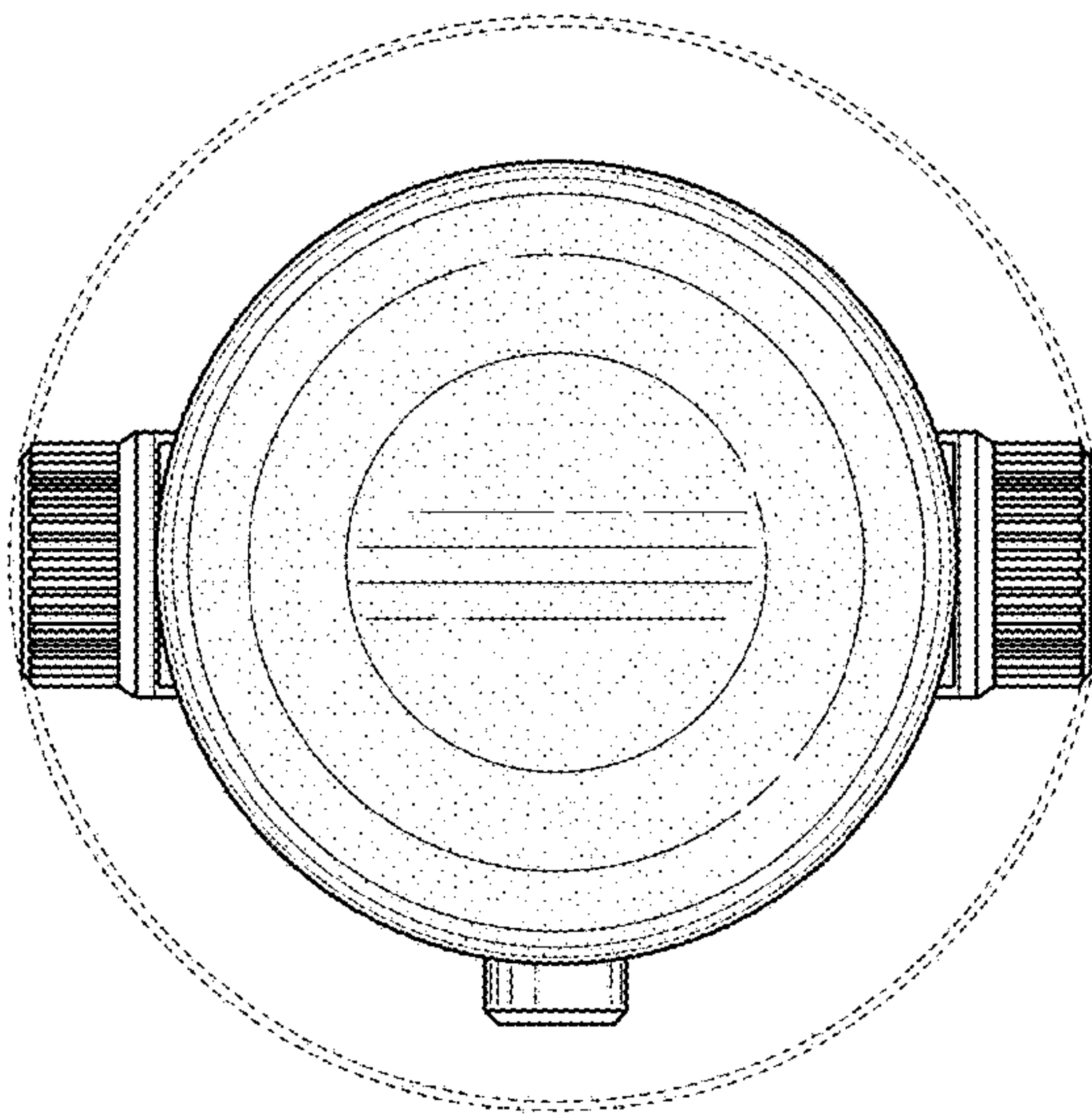


FIG. 7



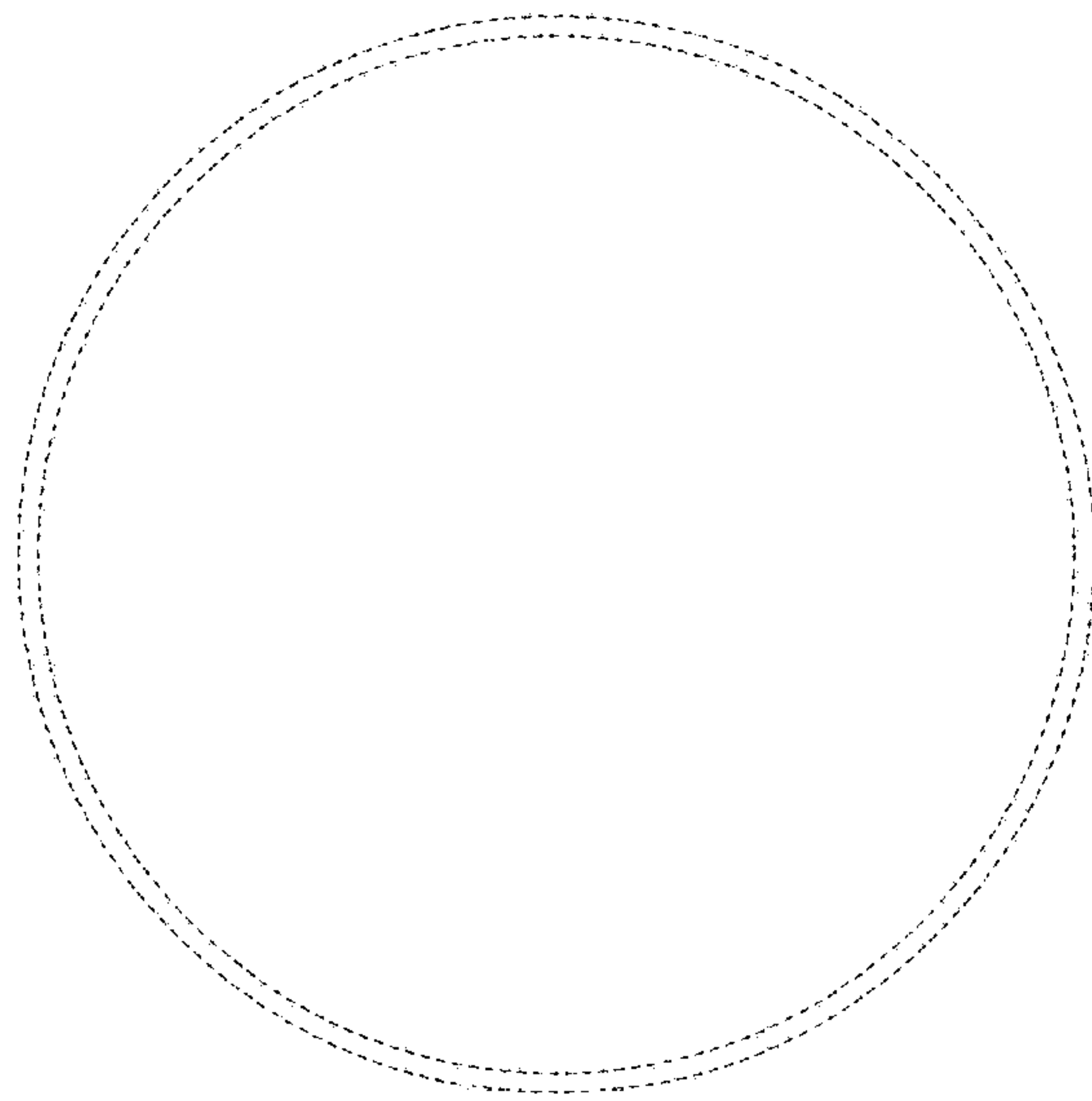


FIG. 8