



US00D851072S

(12) **United States Design Patent**
McNamara

(10) **Patent No.:** **US D851,072 S**
(45) **Date of Patent:** **** Jun. 11, 2019**

- (54) **EARPHONE COMPONENT**
- (71) Applicant: **FKA Distributing Co., LLC**,
Commerce Township, MI (US)
- (72) Inventor: **Greg McNamara**, San Francisco, CA
(US)
- (73) Assignee: **FKA Distributing Co., LLC**,
Commerce Township, MI (US)
- (**) Term: **15 Years**
- (21) Appl. No.: **29/608,528**
- (22) Filed: **Jun. 22, 2017**
- (51) **LOC (11) Cl.** **14-01**
- (52) **U.S. Cl.**
USPC **D14/223**
- (58) **Field of Classification Search**
USPC D14/223, 205; D24/174; 128/864, 865,
128/866; D28/90, 91.1; D9/688, 529,
D9/552, 557; 181/129, 130, 135;
381/312, 322, 324, 328, 334, 330, 380,
381/381; 455/90.3, 575.1, 569.1;
379/430, 431
CPC H04R 1/10; H04R 25/00; H04R 1/1016;
H04R 1/1066; H04R 5/02; H04R 1/105;
H04R 5/033; H04R 5/0335; A61F 11/08
See application file for complete search history.

(56) **References Cited**

U.S. PATENT DOCUMENTS

- 1,312,493 A * 8/1919 Theis A61F 11/14
128/866
- 1,668,890 A * 5/1928 Curran H04R 1/1016
181/130
- 1,668,910 A * 5/1928 Jones H04R 1/1016
181/130
- 1,830,198 A 11/1931 French
- D153,981 S 5/1949 Reinecke

- 2,504,307 A 4/1950 Dalton
- D168,902 S 2/1953 Mundt
- D169,551 S 5/1953 Kendrick
- D176,508 S 1/1956 Enos
- 2,804,072 A 8/1957 Genzer
- 2,805,332 A * 9/1957 Bell H04B 1/088
329/370
- 2,910,679 A * 10/1959 Baldwin B60K 28/06
200/61.47
- 2,971,065 A * 2/1961 Busse H04R 25/456
381/104
- 3,234,467 A * 2/1966 Haveson H01Q 1/24
334/76
- 3,324,253 A * 6/1967 Uemura H04R 11/06
381/189
- 3,440,365 A * 4/1969 Hazell H04M 1/05
379/430
- 3,457,375 A * 7/1969 Haggerty H04R 25/456
381/322
- D216,692 S 3/1970 Young
(Continued)

Primary Examiner — Paula Allen Greene
(74) *Attorney, Agent, or Firm* — Brooks Kushman P.C.

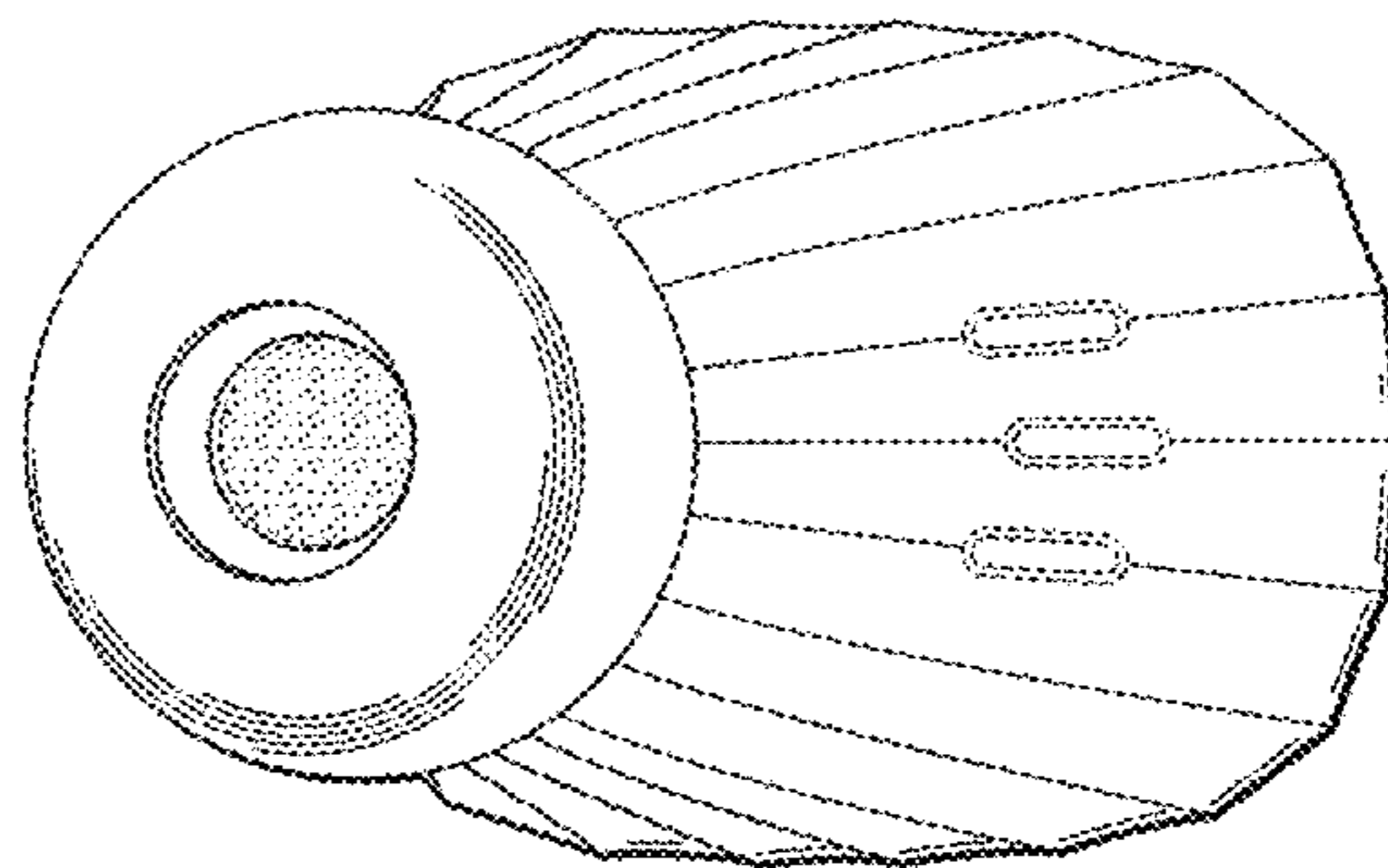
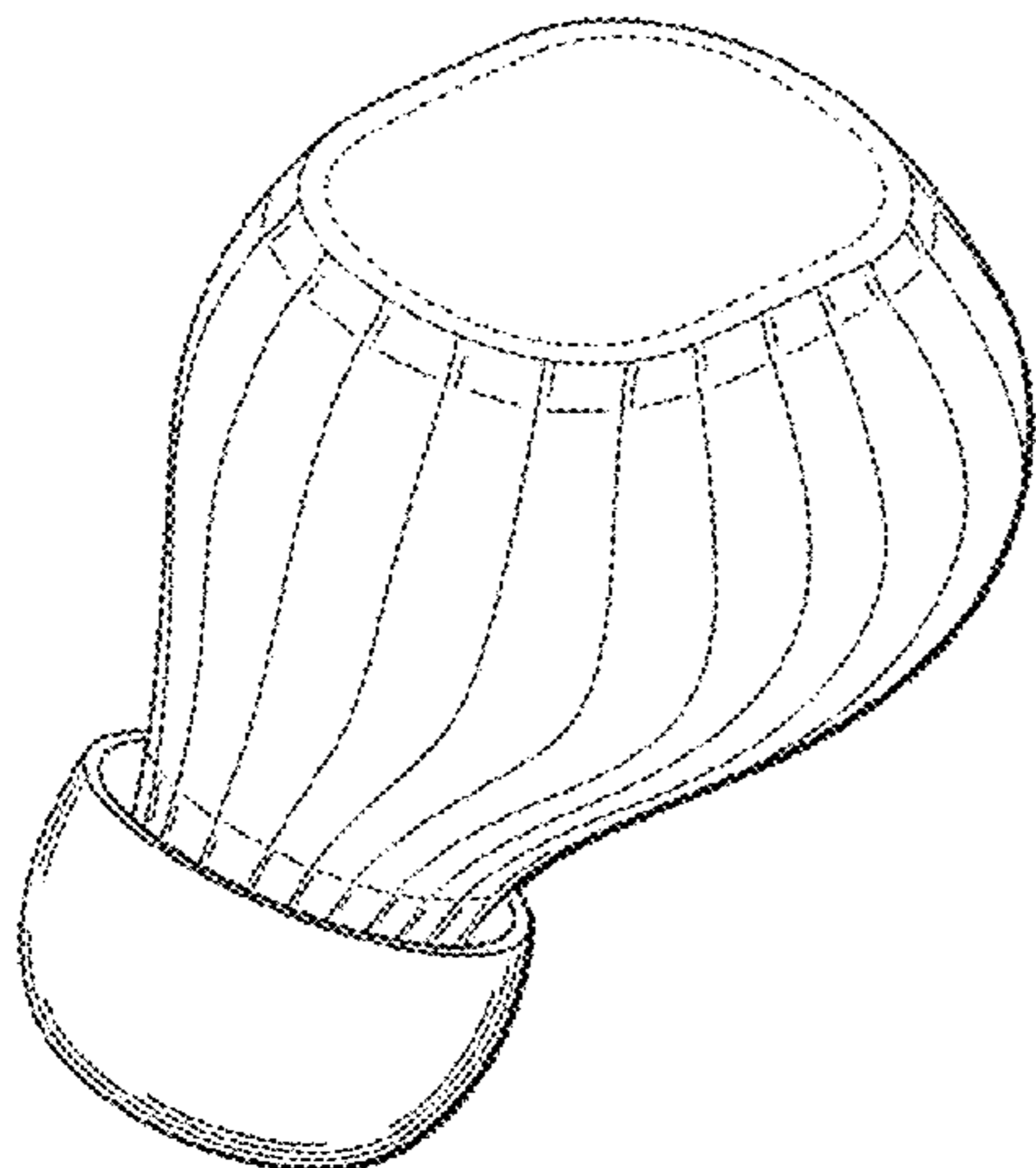
(57) **CLAIM**

The ornamental design for an earphone component, as shown and described.

DESCRIPTION

FIG. 1 is a perspective view of an earphone component according to an embodiment;
FIG. 2 is a right side view of the earphone component;
FIG. 3 is a left side view of the earphone component;
FIG. 4 is a rear side view of the earphone component;
FIG. 5 is a front side view of the earphone component;
FIG. 6 is a bottom side view of the earphone component;
and,
FIG. 7 is a top side view of the earphone component.
The broken lines depict environment that forms no part of the claimed design.

1 Claim, 3 Drawing Sheets



(56)

References Cited

U.S. PATENT DOCUMENTS

3,730,181 A * 5/1973 Fling A61F 11/08
128/868
D231,317 S 4/1974 Ludwick
3,821,647 A * 6/1974 Minasian H03D 1/10
381/380
D236,988 S * 9/1975 Walters D14/223
3,934,100 A 1/1976 Harada
4,069,400 A * 1/1978 Johanson H04R 25/60
381/322
4,457,396 A * 7/1984 James H04R 1/345
181/129
4,539,708 A * 9/1985 Norris H04B 1/088
455/100
D281,054 S * 10/1985 Menrad D28/89
4,585,089 A * 4/1986 Topholm H04R 25/65
181/130
D287,764 S * 1/1987 Topholm D24/174
D287,765 S * 1/1987 Topholm D24/174
D299,052 S 12/1988 Yost
D300,652 S * 4/1989 Kohler, Jr. D23/250
5,054,079 A * 10/1991 Frielingsdorf H04R 1/46
379/430
D324,986 S 3/1992 Fratantonio et al.
D328,559 S 8/1992 Wilson
D371,193 S 6/1996 Myers et al.
D416,060 S 11/1999 Angeles
D423,879 S * 5/2000 Lin D7/509
6,122,388 A * 9/2000 Feldman H04R 25/604
381/322
6,595,317 B1 7/2003 Widmer et al.
D489,940 S * 5/2004 Gluck D7/509
6,731,772 B1 5/2004 Byun
6,974,626 B2 12/2005 Horacek
D519,108 S * 4/2006 Yang D14/223
7,106,876 B2 9/2006 Santiago
7,120,267 B2 * 10/2006 Ito H04M 1/05
381/375
D572,703 S 7/2008 Ledbetter et al.
D572,706 S 7/2008 Schaefer
D588,111 S * 3/2009 Komiyama D14/223
D600,675 S * 9/2009 Lee D14/205
7,602,933 B2 10/2009 Cartwright et al.

D603,380 S * 11/2009 Hutchieson D14/223
7,627,131 B2 12/2009 Nielsen et al.
D637,997 S * 5/2011 Peller D14/205
D637,999 S * 5/2011 Brunner D14/205
D641,010 S * 7/2011 Kwon D14/223
D643,415 S 8/2011 Vasquez
D652,817 S * 1/2012 Lee D14/205
D652,822 S * 1/2012 Lee D14/223
D654,056 S * 2/2012 Hoggarth D14/205
D660,292 S * 5/2012 Rautiainen D14/223
8,208,676 B2 6/2012 Murozaki et al.
D666,581 S * 9/2012 Perez D14/223
8,275,166 B2 * 9/2012 Wu H04R 25/00
381/328
D676,415 S 2/2013 Erdel et al.
D685,764 S * 7/2013 Coulter D14/205
D689,472 S 9/2013 Erdel
D698,023 S 1/2014 Iseberg et al.
D699,226 S * 2/2014 Yoon D14/206
D709,610 S * 7/2014 Pick A61F 11/08
D24/106
8,776,801 B2 * 7/2014 McIntosh A61F 11/08
128/864
D711,356 S * 8/2014 Yang D14/223
D725,082 S * 3/2015 Palmborg D14/223
8,983,108 B2 * 3/2015 Ho H04R 1/1016
181/135
D727,871 S * 4/2015 Orbach D14/205
D733,102 S * 6/2015 Palmborg D14/223
D735,169 S * 7/2015 Shieh D14/223
D742,861 S * 11/2015 Miyake D14/223
D756,970 S 5/2016 Ferber et al.
D764,445 S * 8/2016 Czaniecki D14/223
D777,710 S * 1/2017 Palmborg D14/223
D781,269 S * 3/2017 Choe D14/223
D782,997 S * 4/2017 Shin D14/205
D782,998 S * 4/2017 Shin D14/205
D798,843 S * 10/2017 Valenzuela D14/223
D806,879 S * 1/2018 Horbinski D24/174
D817,309 S * 5/2018 Czaniecki D14/223
2008/0187161 A1 8/2008 Tiemens et al.
2011/0268308 A1 11/2011 Vasquez
2014/0166389 A1 6/2014 Young-Mun
2015/0047650 A1 2/2015 Blanchard

* cited by examiner

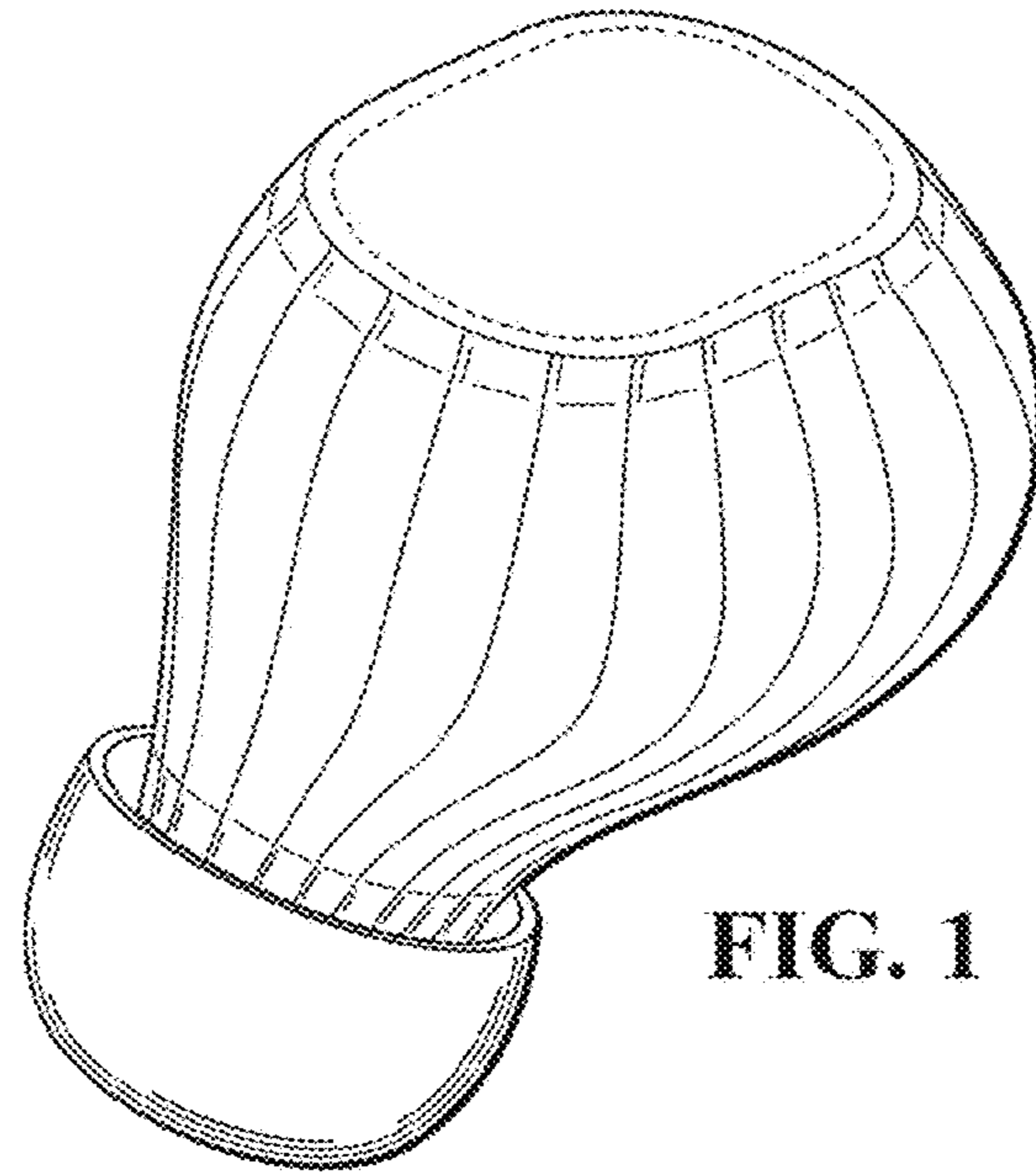


FIG. 1

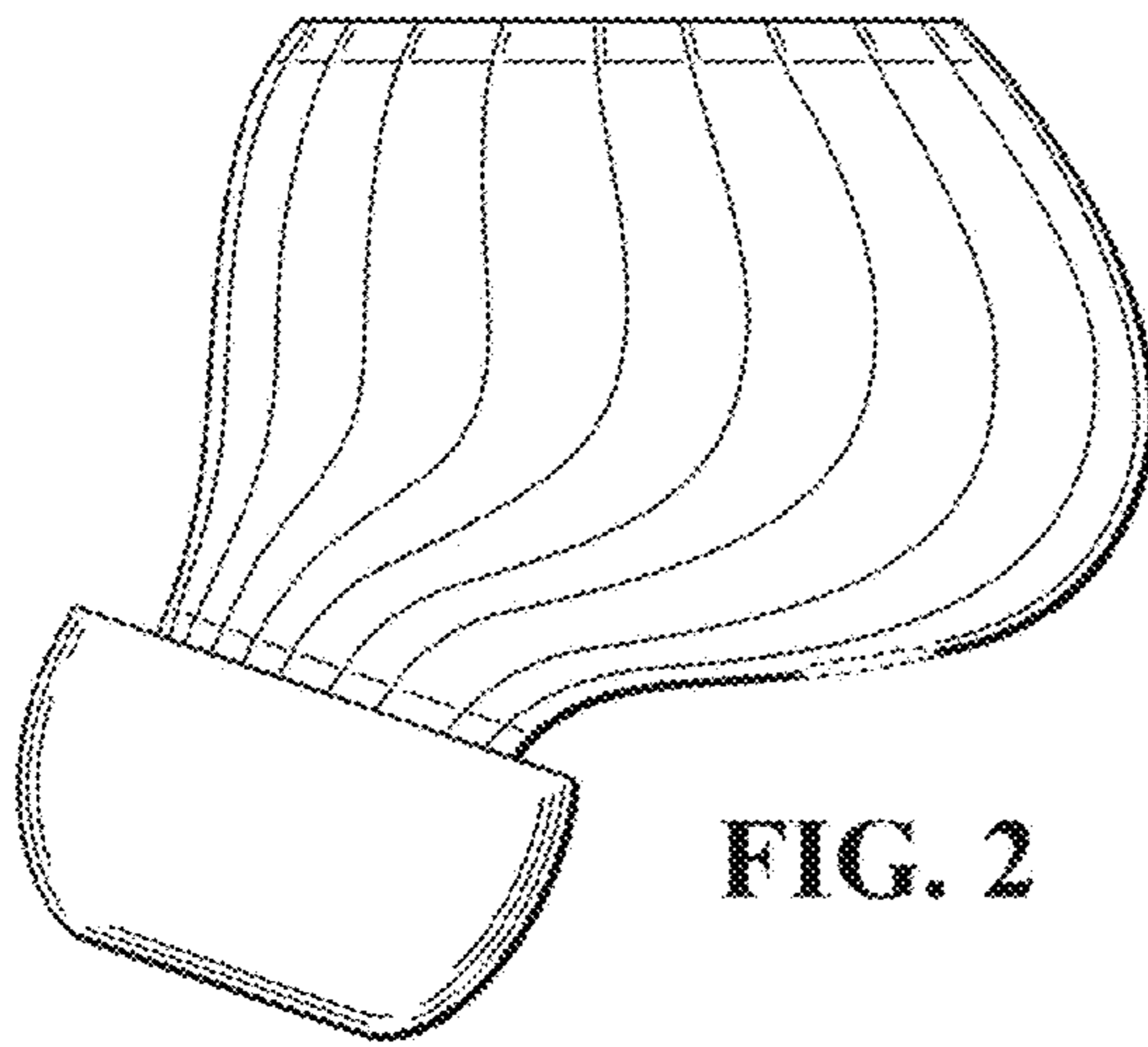


FIG. 2

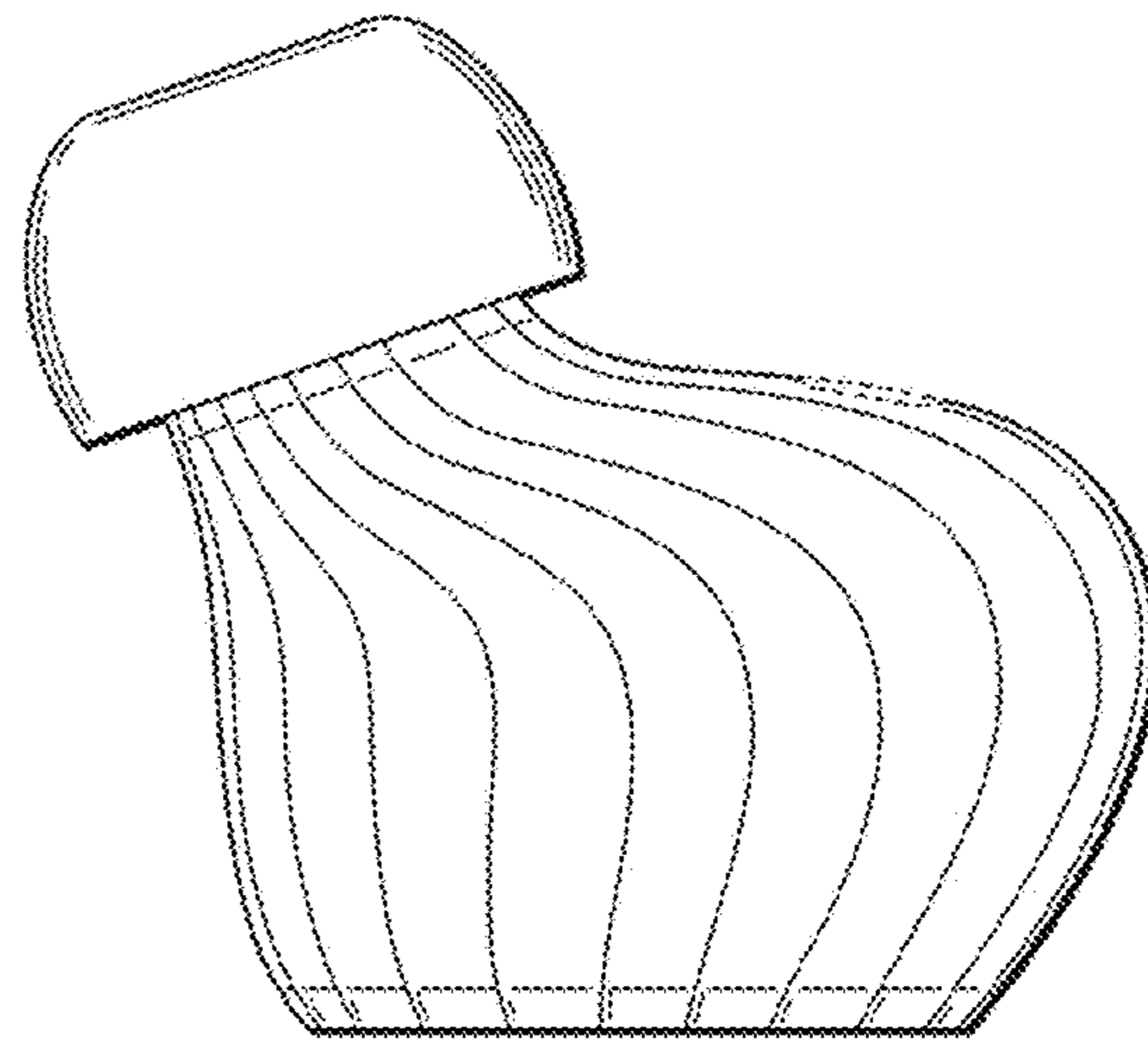


FIG. 3

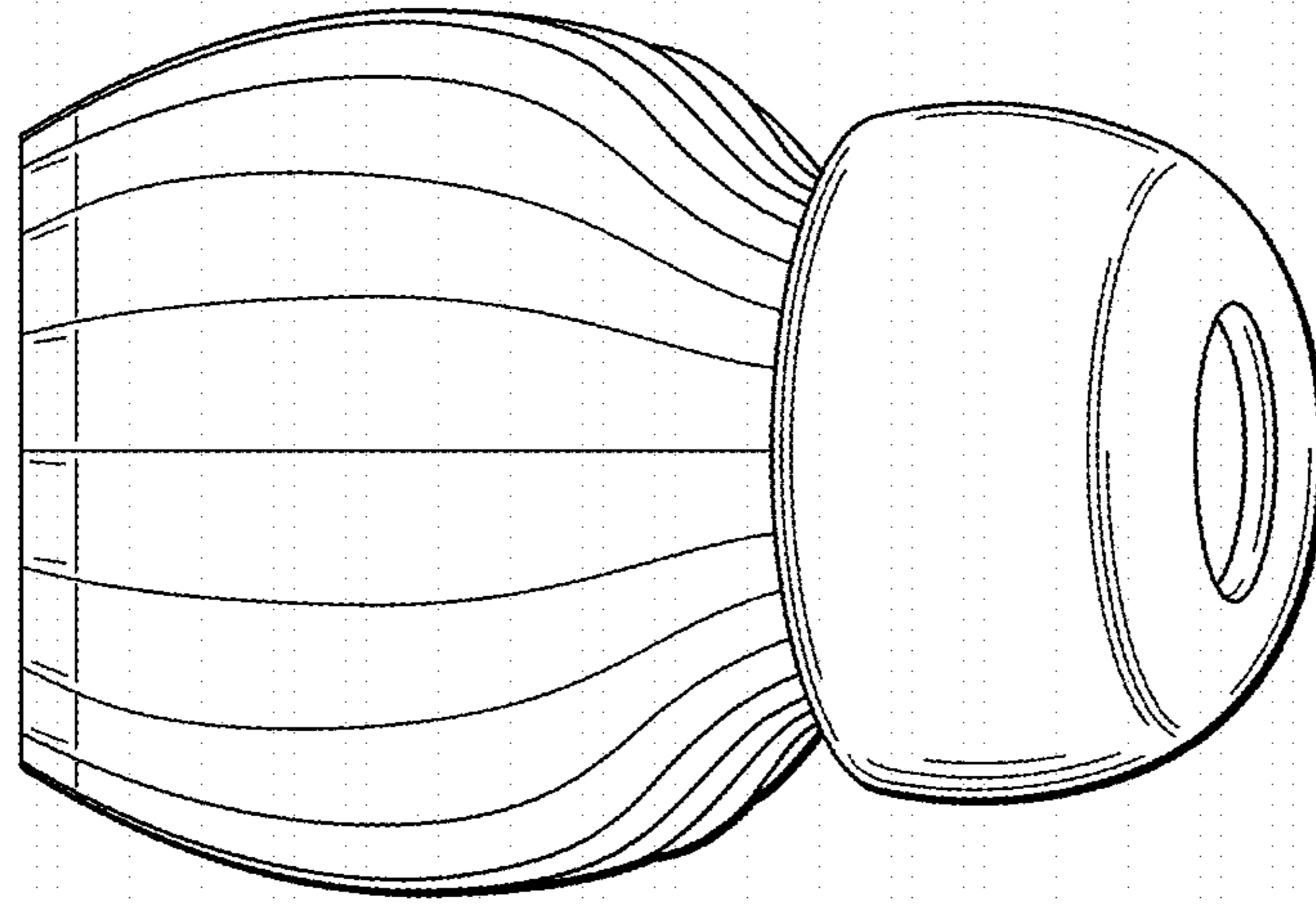


FIG. 4

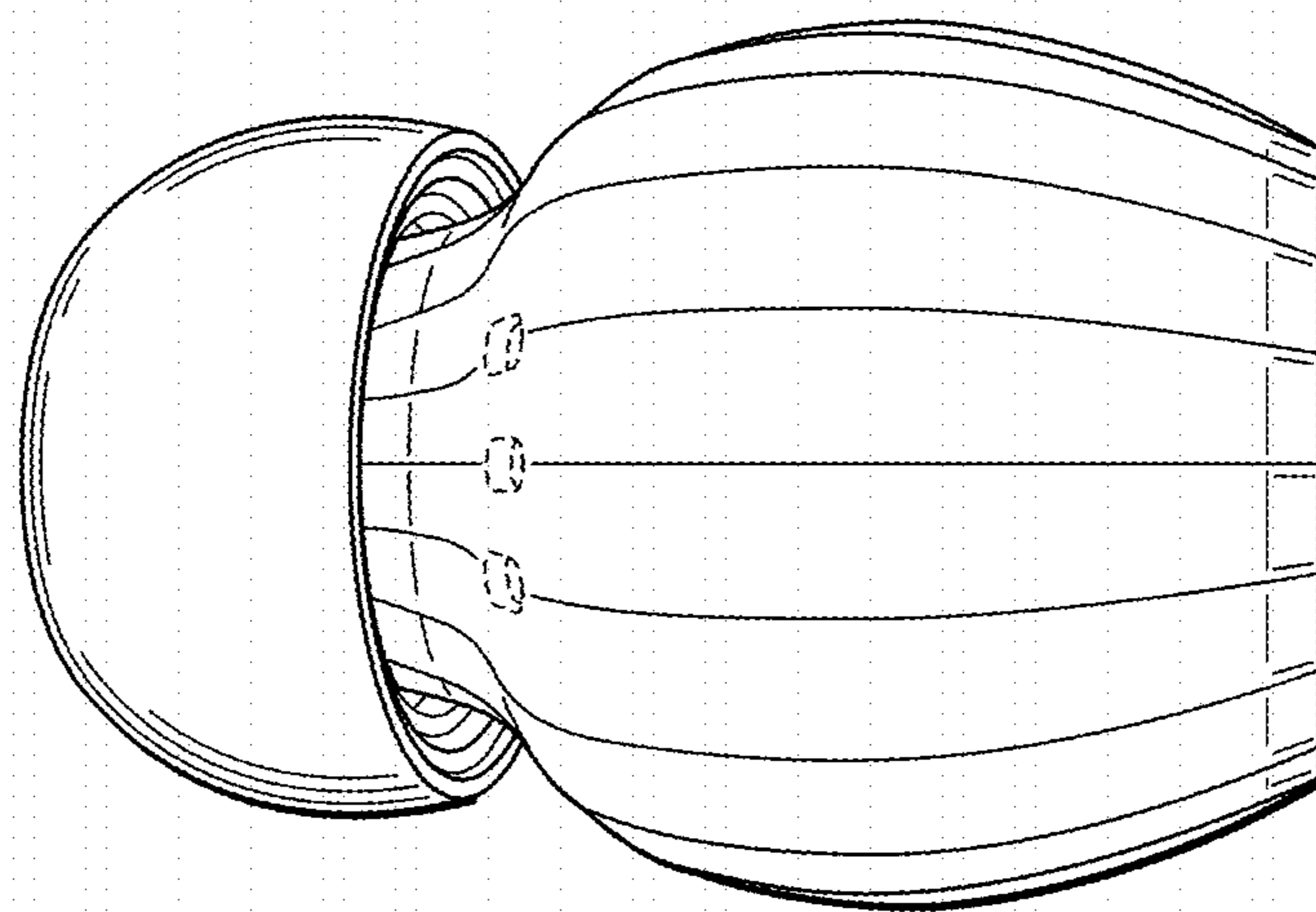


FIG. 5

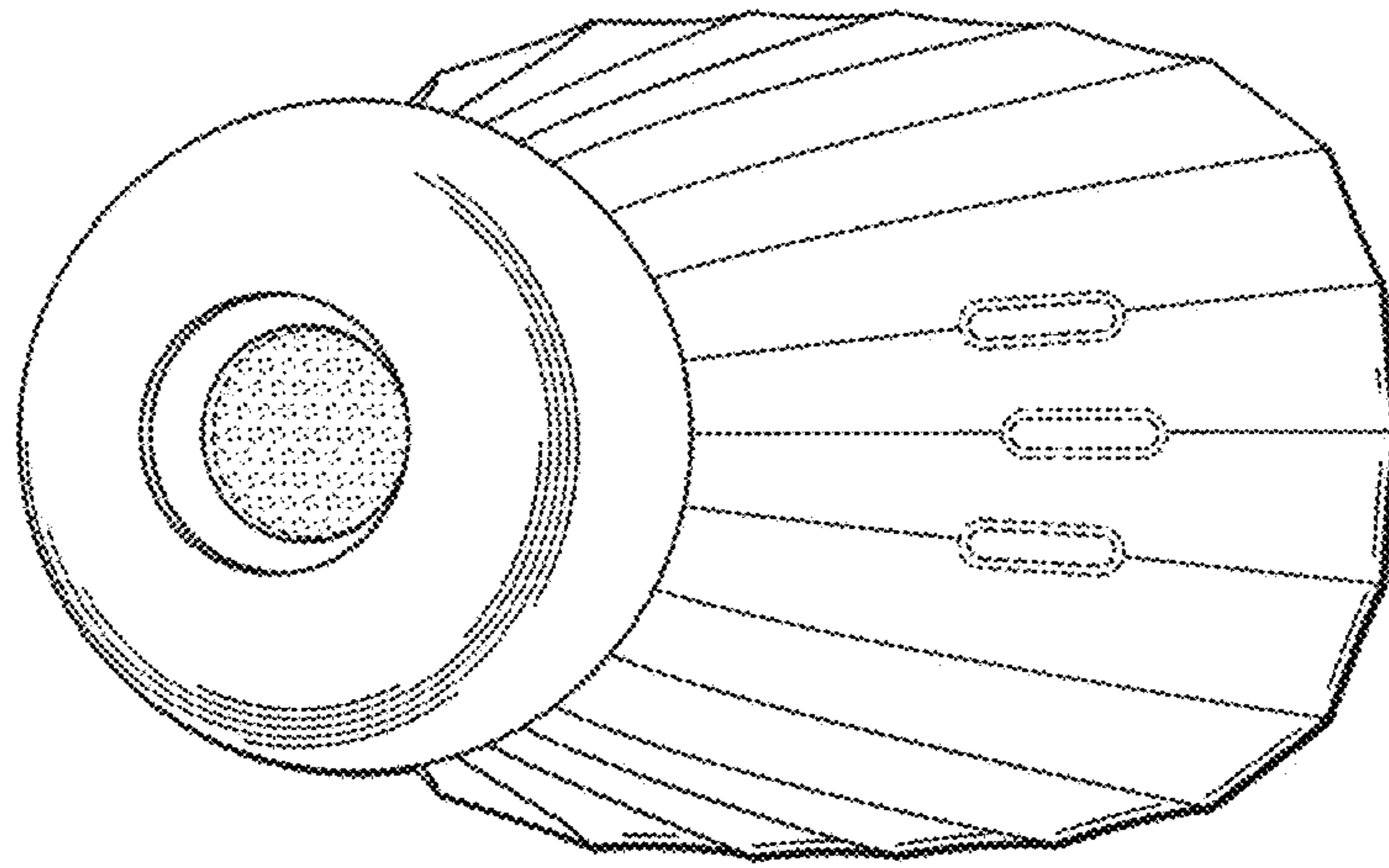


FIG. 6

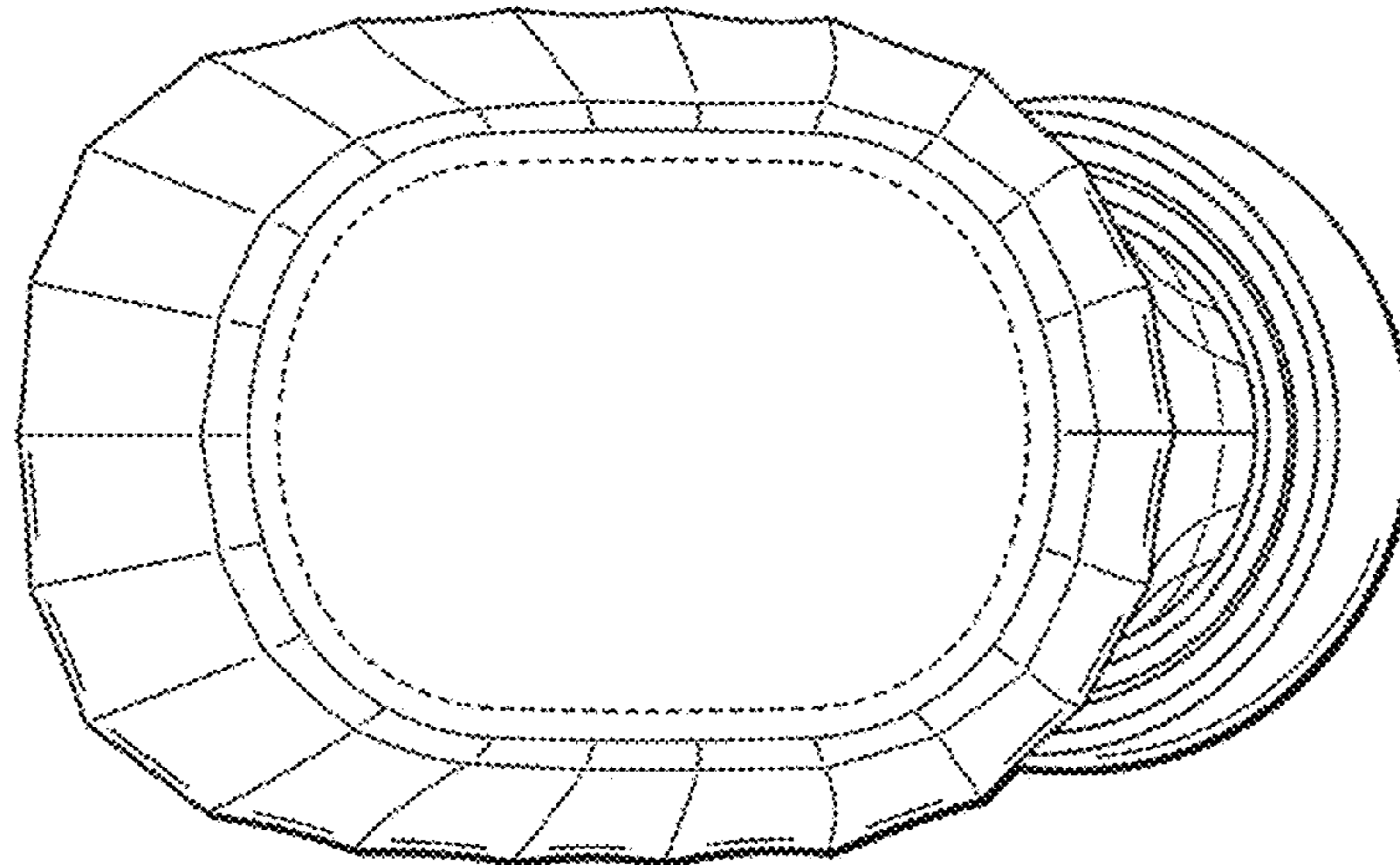


FIG. 7