



US00D851071S

(12) **United States Design Patent**  
**Chou et al.**

(10) **Patent No.:** **US D851,071 S**  
(45) **Date of Patent:** **\*\* Jun. 11, 2019**

- (54) **AUDIO CONTROL DEVICE**
- (71) Applicant: **Kingston Digital, Inc.**, Fountain Valley, CA (US)
- (72) Inventors: **Peter Leekuo Chou**, Fountain Valley, CA (US); **Baron King Lee**, Fountain Valley, CA (US); **Guan Hua Tzeng**, Hsinchu (TW); **Pen Hao Ma**, Hsinchu (TW)
- (73) Assignee: **Kingston Digital, Inc.**, Fountain Valley, CA (US)
- (\*\*) Term: **15 Years**
- (21) Appl. No.: **29/613,855**
- (22) Filed: **Aug. 14, 2017**
- (30) **Foreign Application Priority Data**

Mar. 27, 2017 (TW) ..... 106301583

- (51) **LOC (11) Cl.** ..... **14-01**
- (52) **U.S. Cl.**  
USPC ..... **D14/218**

- (58) **Field of Classification Search**  
USPC ..... D14/218, 205, 188, 192, 240; D13/168, D13/184, 153, 147; D10/104.1, 106.1; 379/430, 431; 381/380, 381, 370, 374; 455/90.3, 575.1, 569.1; 340/384.2  
CPC ..... H04R 25/00; H04R 25/02; H04R 1/1041; G08C 17/02; G08C 19/02; G09G 5/08; H05K 5/03  
See application file for complete search history.

- (56) **References Cited**  
U.S. PATENT DOCUMENTS

1,893,474 A \* 1/1933 Lieber ..... H04R 25/656  
381/328  
3,047,089 A \* 7/1962 Zwislocki ..... A61F 11/08  
128/864

3,049,582 A \* 8/1962 Shinn ..... H01R 4/70  
174/92  
3,539,031 A \* 11/1970 Scanlon ..... A61B 7/026  
181/129  
4,069,400 A \* 1/1978 Johanson ..... H04R 25/60  
381/322  
4,375,016 A \* 2/1983 Harada ..... H04R 25/656  
181/135  
D310,063 S \* 8/1990 Cheng ..... D13/137.3  
4,972,492 A \* 11/1990 Tanaka ..... H04R 1/1016  
181/130  
4,990,103 A \* 2/1991 Sazaki ..... H01R 13/506  
439/445  
5,146,051 A \* 9/1992 Hermann ..... H04R 25/652  
181/130  
D344,522 S \* 2/1994 Taniguchi ..... D14/205  
D363,933 S \* 11/1995 Starck ..... D13/168

(Continued)

*Primary Examiner* — Paula Allen Greene  
(74) *Attorney, Agent, or Firm* — Skaar Ulbrich Macari, P.A.

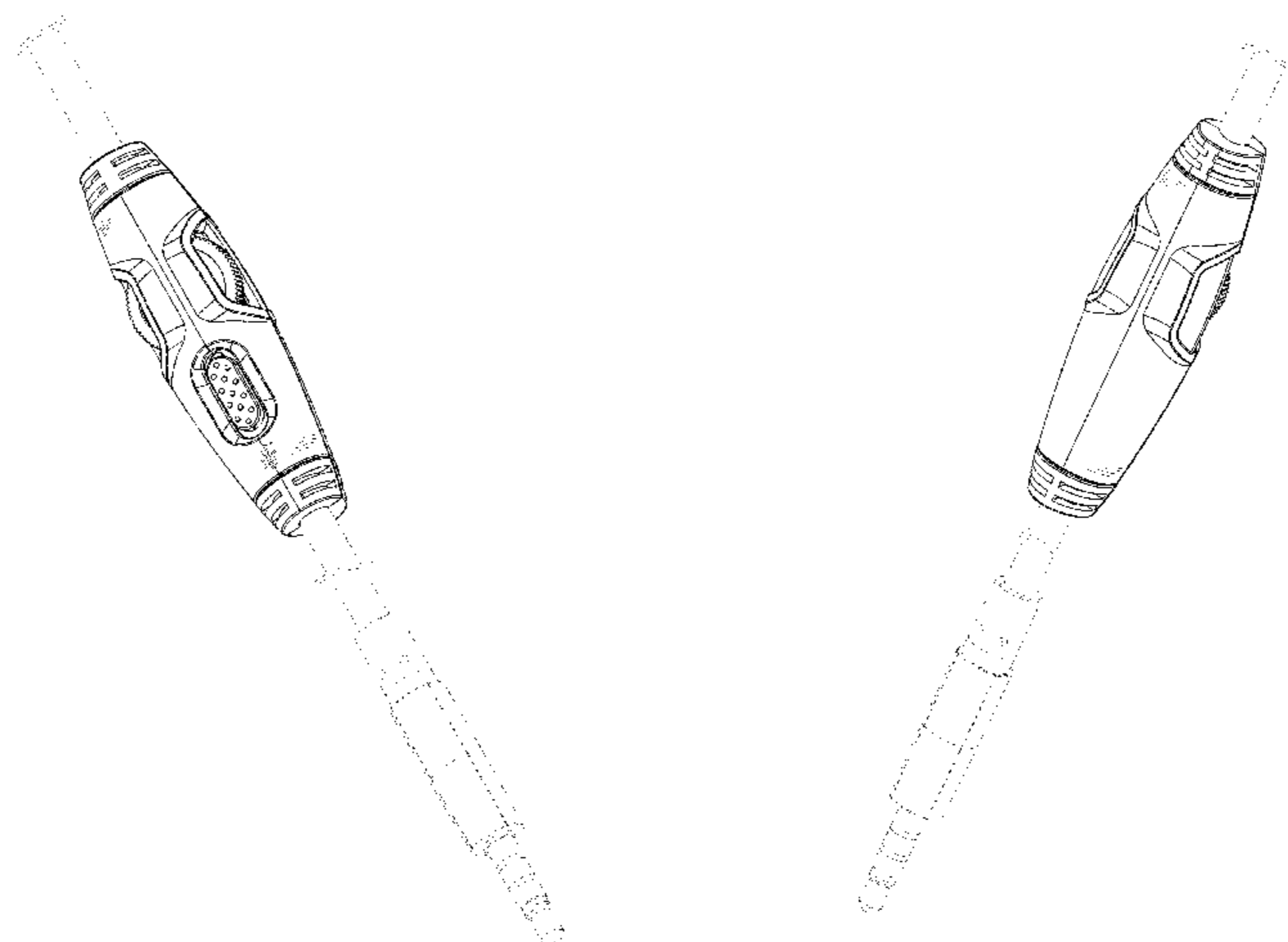
(57) **CLAIM**

We claim an ornamental design for an audio control device, as shown and described.

**DESCRIPTION**

FIG. 1 is a perspective view of an audio control device showing the claimed design;  
FIG. 2 is another perspective view of FIG. 1;  
FIG. 3 is a front elevational view of FIG. 1;  
FIG. 4 is a rear elevational view of FIG. 1;  
FIG. 5 is a left side elevational view of FIG. 1;  
FIG. 6 is a right side elevational view of FIG. 1;  
FIG. 7 is a top plan view of FIG. 1; and,  
FIG. 8 is a bottom plan view of FIG. 1.  
The broken lines in the figures represent portions of the article which form no part of the claimed design.

**1 Claim, 7 Drawing Sheets**



(56)

## References Cited

## U.S. PATENT DOCUMENTS

5,606,305 A \* 2/1997 Jan ..... A01M 29/18  
340/384.2  
D384,072 S \* 9/1997 Ng ..... D14/192  
6,030,258 A \* 2/2000 Fumikura ..... H01R 4/024  
439/686  
D434,381 S \* 11/2000 Shimojyo ..... D13/147  
6,257,914 B1 \* 7/2001 Comerci ..... H01R 13/6273  
439/357  
D451,077 S \* 11/2001 Montagnino ..... D13/168  
D456,366 S \* 4/2002 Montagnino ..... D13/168  
D462,945 S \* 9/2002 Skulley ..... D14/218  
D465,477 S \* 11/2002 Beraut ..... D14/218  
D530,681 S \* 10/2006 Huang ..... D13/168  
D576,105 S \* 9/2008 Victor ..... D13/133  
D594,440 S \* 6/2009 Hyncecek ..... D14/155  
D597,690 S \* 8/2009 Yamamoto ..... D26/37  
D606,980 S \* 12/2009 Bradford ..... D14/218  
D616,870 S \* 6/2010 Choo ..... D14/218  
D633,447 S \* 3/2011 Schaal ..... D13/168  
D710,828 S \* 8/2014 Liu ..... D14/218  
D717,275 S \* 11/2014 Burgett ..... D14/205  
D726,163 S \* 4/2015 Bekhradi ..... D14/218  
D726,831 S \* 4/2015 Lee ..... D13/168  
D730,873 S \* 6/2015 Petterson ..... D14/218  
D736,184 S \* 8/2015 Olivar ..... D14/218  
D770,421 S \* 11/2016 Pettersen ..... D14/218  
D778,264 S \* 2/2017 Stapelbroek ..... D14/218  
D793,995 S \* 8/2017 Nakagawa ..... D14/218  
D794,609 S \* 8/2017 Meyer ..... D14/218  
D808,359 S \* 1/2018 Meyer ..... D14/205  
D811,371 S \* 2/2018 Meyer ..... D14/218  
2012/0326852 A1 \* 12/2012 Harris ..... G08C 17/02  
340/12.54

\* cited by examiner

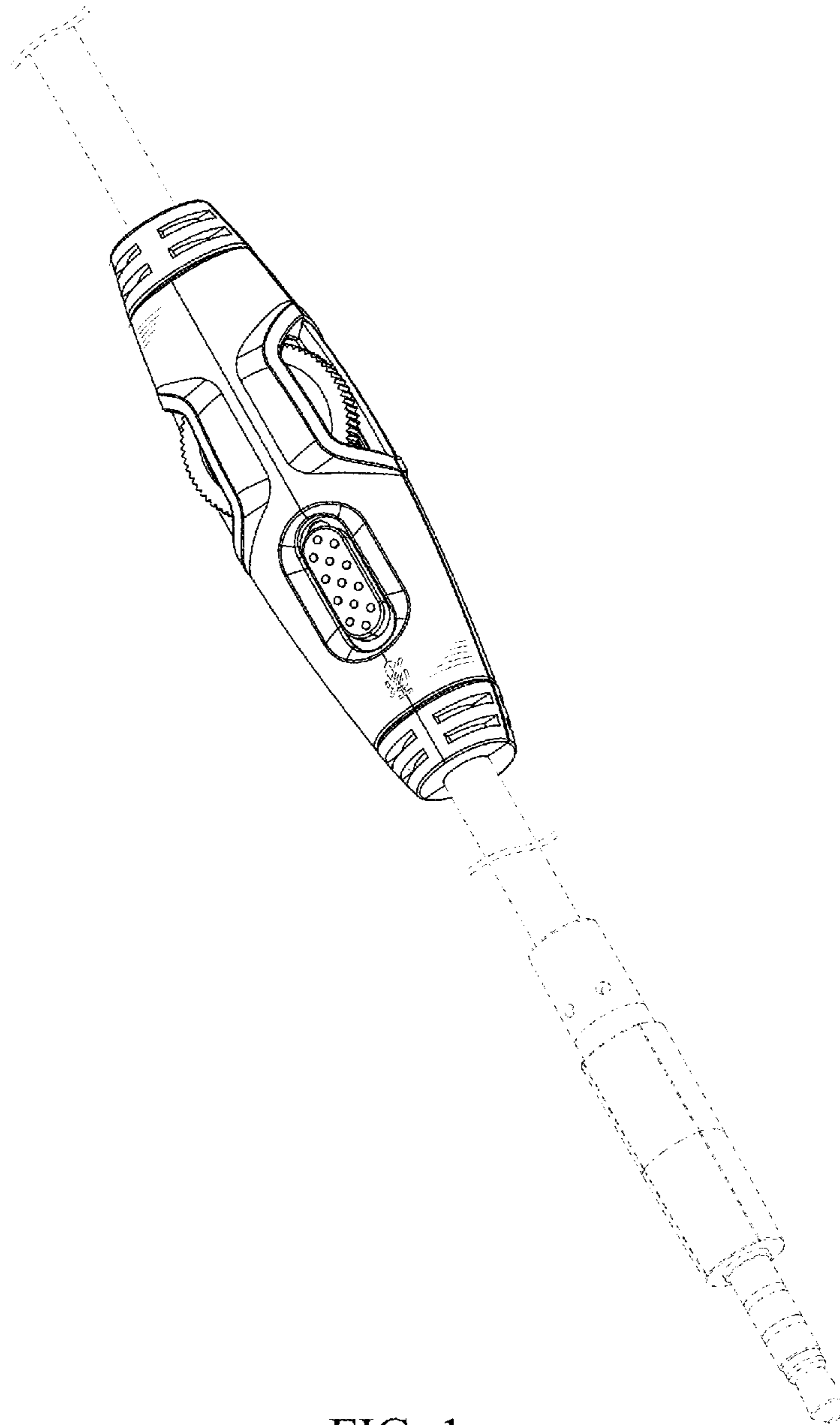


FIG. 1

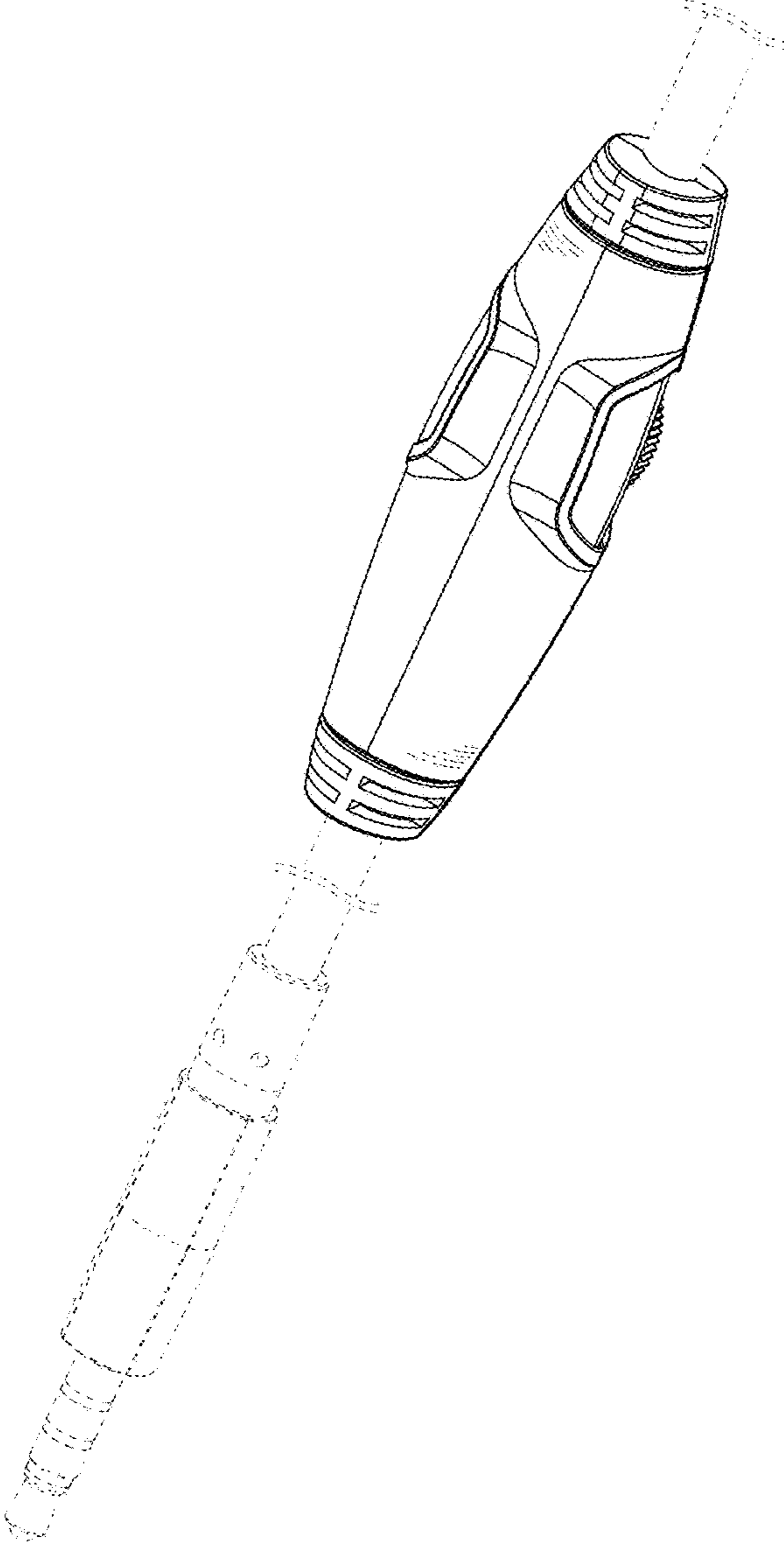


FIG. 2

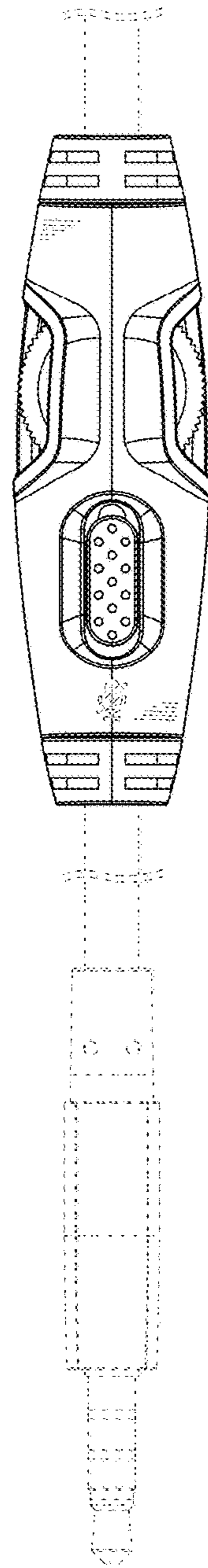


FIG. 3

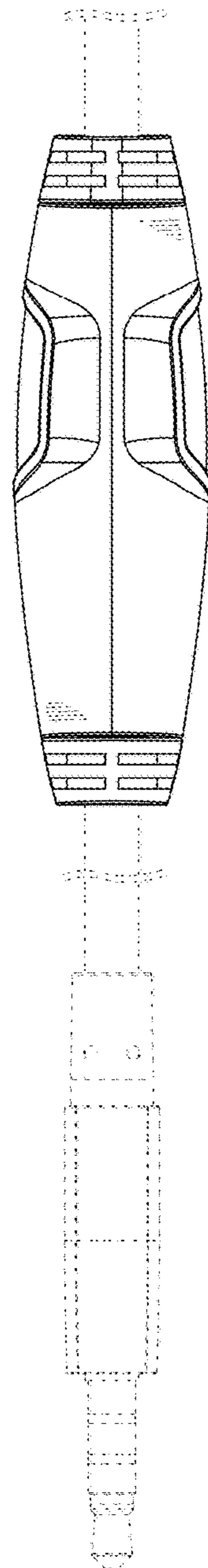


FIG. 4

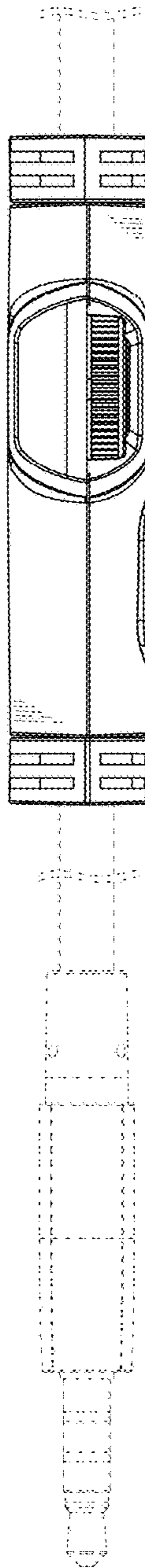


FIG. 5



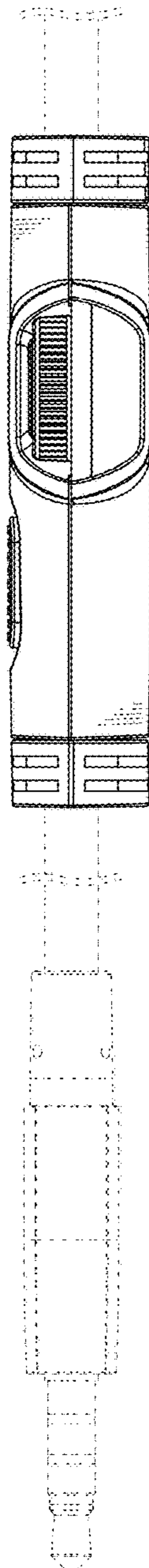


FIG. 6



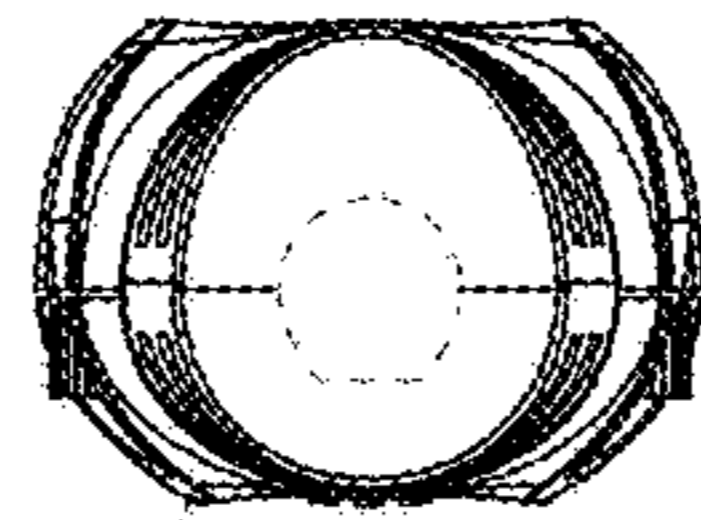


FIG. 7

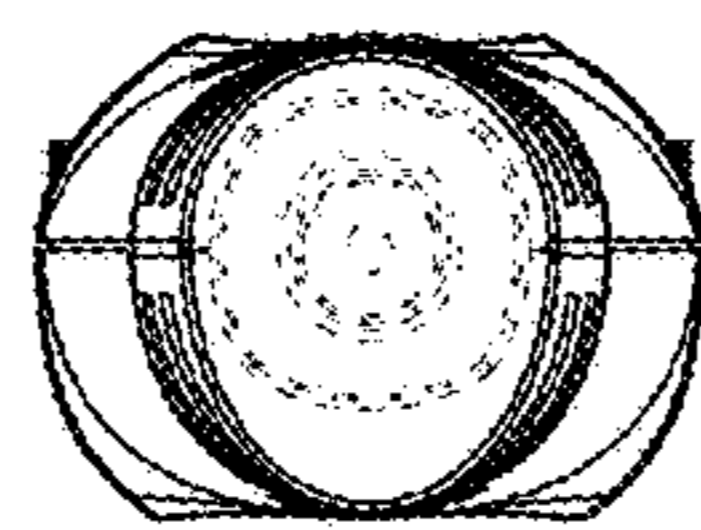


FIG. 8