



US00D851069S

(12) **United States Design Patent**
Fortin et al.

(10) **Patent No.:** **US D851,069 S**
(45) **Date of Patent:** **** Jun. 11, 2019**

- (54) **SPEAKER**
- (71) Applicant: **InMusic Brands, Inc.**, Cumberland, RI (US)
- (72) Inventors: **Wendy L. Fortin**, Spencer, MA (US);
Sheng-Chyan Sun, North Providence, RI (US)
- (73) Assignee: **INMUSIC BRANDS, INC.**,
Cumberland, RI (US)
- (**) Term: **15 Years**
- (21) Appl. No.: **29/604,512**
- (22) Filed: **May 18, 2017**
- (51) **LOC (11) Cl.** **14-03**
- (52) **U.S. Cl.**
USPC **D14/217**
- (58) **Field of Classification Search**
USPC D14/204, 214, 215, 172, 221, 222, 217,
D14/496, 170, 188, 168, 194, 209.1,
D14/203.3; 181/143, 146, 153, 158, 199,
181/242; 379/185, 187, 420.04, 420.01,
379/432, 433.01, 433.02, 442; 381/91,
381/92, 163, 122, 355, 356; 455/95, 92,
455/90.3, 575.1, 569.1; D3/273, 274,
D3/904, 905; D7/550.1; 108/34, 44
CPC ... H04R 1/02; H04R 3/00; H04R 9/08; H04R
25/00; H04R 1/08; H04R 11/04; H04R
25/65
See application file for complete search history.

(56) **References Cited**

U.S. PATENT DOCUMENTS

- 2,903,311 A * 9/1959 Earhart A47G 23/06
108/34
- 3,318,456 A * 5/1967 Lipe B60N 3/002
108/44

- 3,909,531 A * 9/1975 Plummer H04R 1/24
181/145
- D239,036 S * 3/1976 Ross D14/214
- D246,710 S * 12/1977 Thomasen D14/214
- D247,489 S * 3/1978 Jabara D14/214
- 4,165,797 A * 8/1979 Spetalnik H04R 5/02
181/147
- D253,592 S * 12/1979 Takei D14/214
- 4,365,688 A * 12/1982 Blose H04R 1/227
181/145
- D270,532 S * 9/1983 Weinstein D14/214
- 4,676,619 A * 6/1987 Woolley G03B 17/48
359/480
- 4,700,395 A * 10/1987 Long A45C 11/20
381/334
- 4,809,089 A * 2/1989 Richie G11B 31/006
348/838
- 4,815,559 A * 3/1989 Shirley H04R 1/02
181/144
- D317,308 S * 6/1991 Aoki D14/162
- D327,682 S * 7/1992 Shimazu D14/168

(Continued)

Primary Examiner — Paula Allen Green

(74) *Attorney, Agent, or Firm* — Adler Pollock & Sheehan P.C.; Daniel J. Holmader, Esq.

(57) **CLAIM**

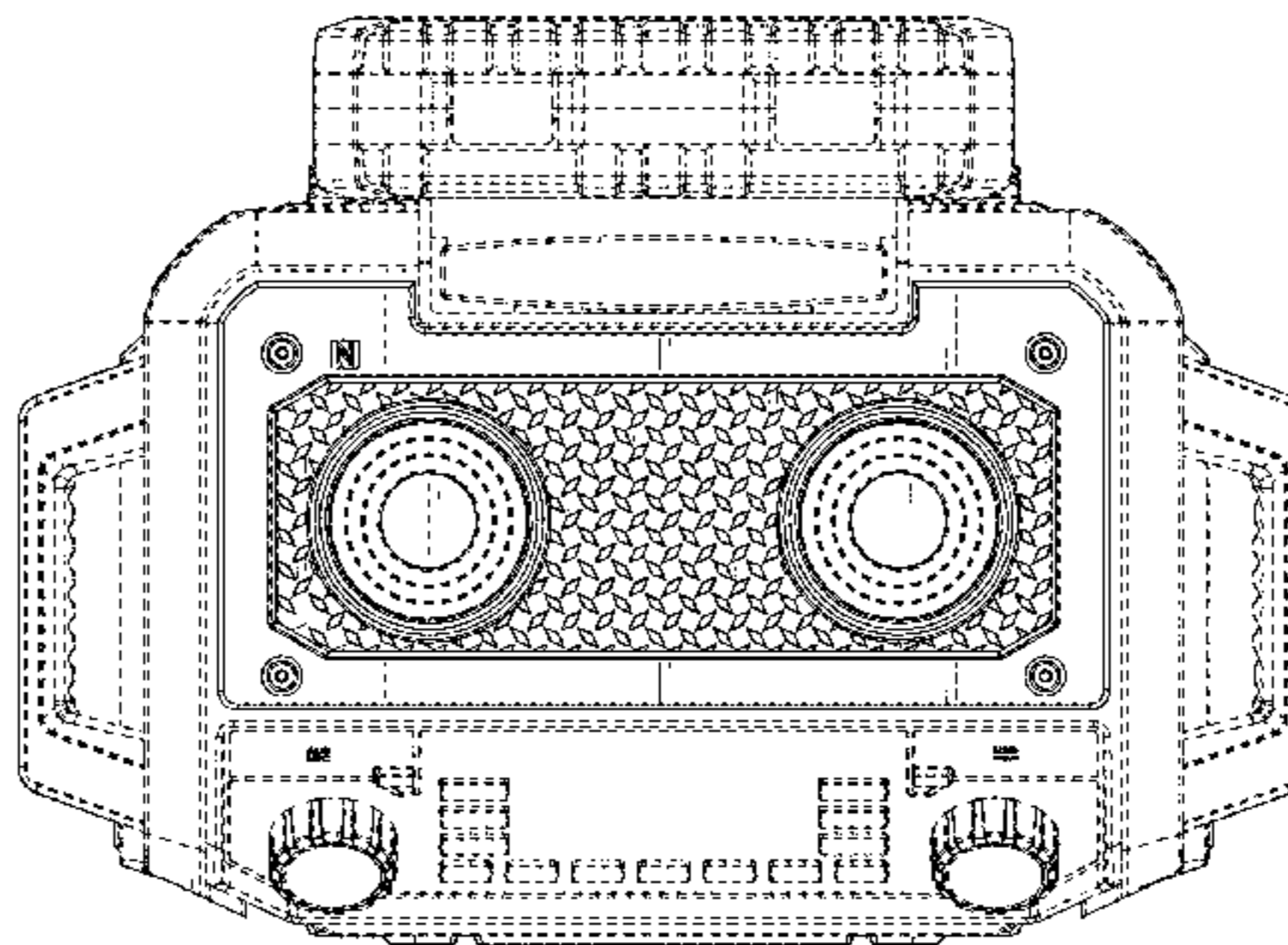
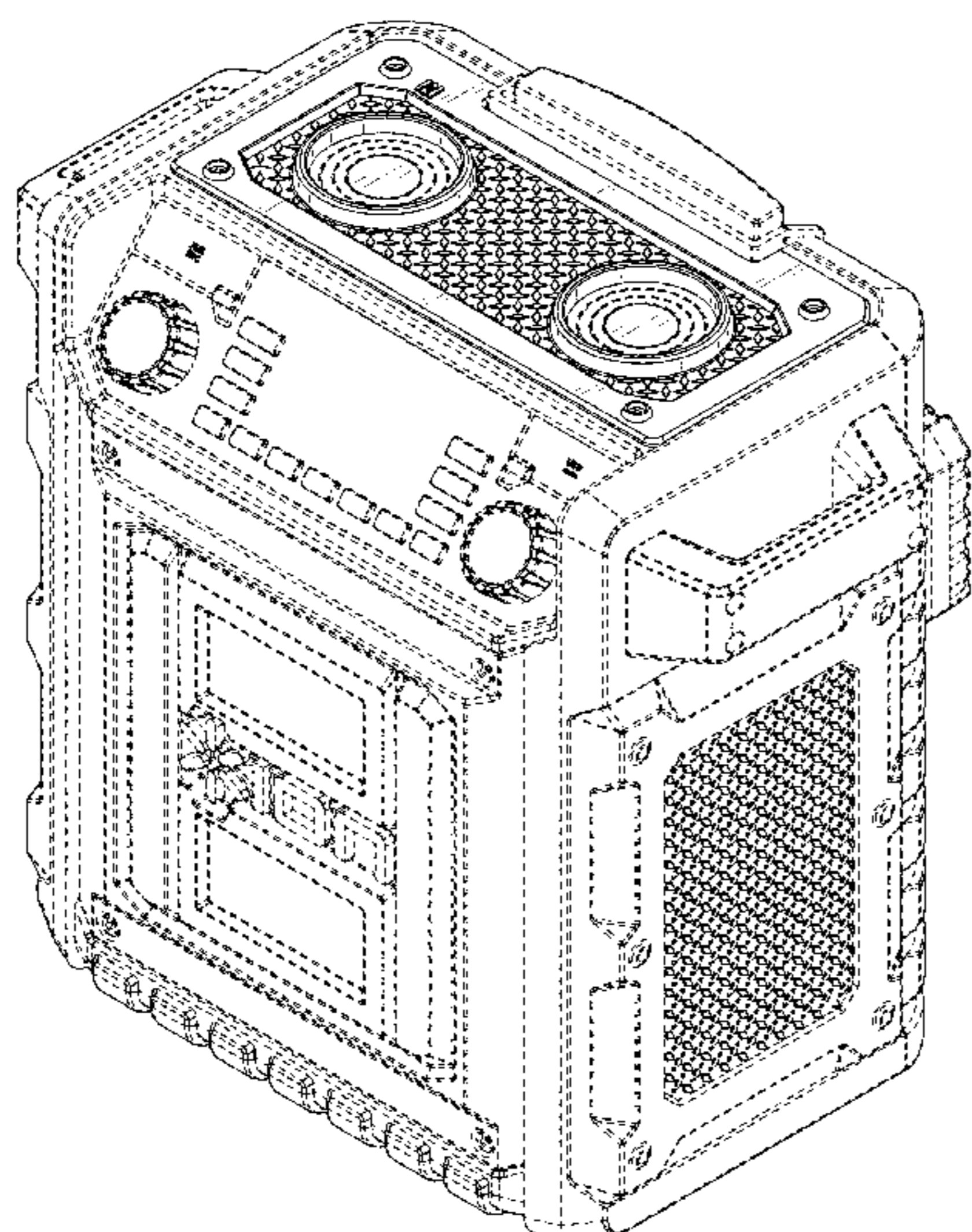
The ornamental design for a speaker, substantially as shown and described.

DESCRIPTION

FIG. 1 is a front perspective view of a speaker;
 FIG. 2 is a front view thereof;
 FIG. 3 is a rear view thereof;
 FIG. 4 is a right side view thereof;
 FIG. 5 is a left side view thereof;
 FIG. 6 is a top view thereof; and,
 FIG. 7 is a bottom view thereof.

The elements depicted in broken lines in the various figures are included for environmental purposes only, and form no part of the claimed design.

1 Claim, 7 Drawing Sheets



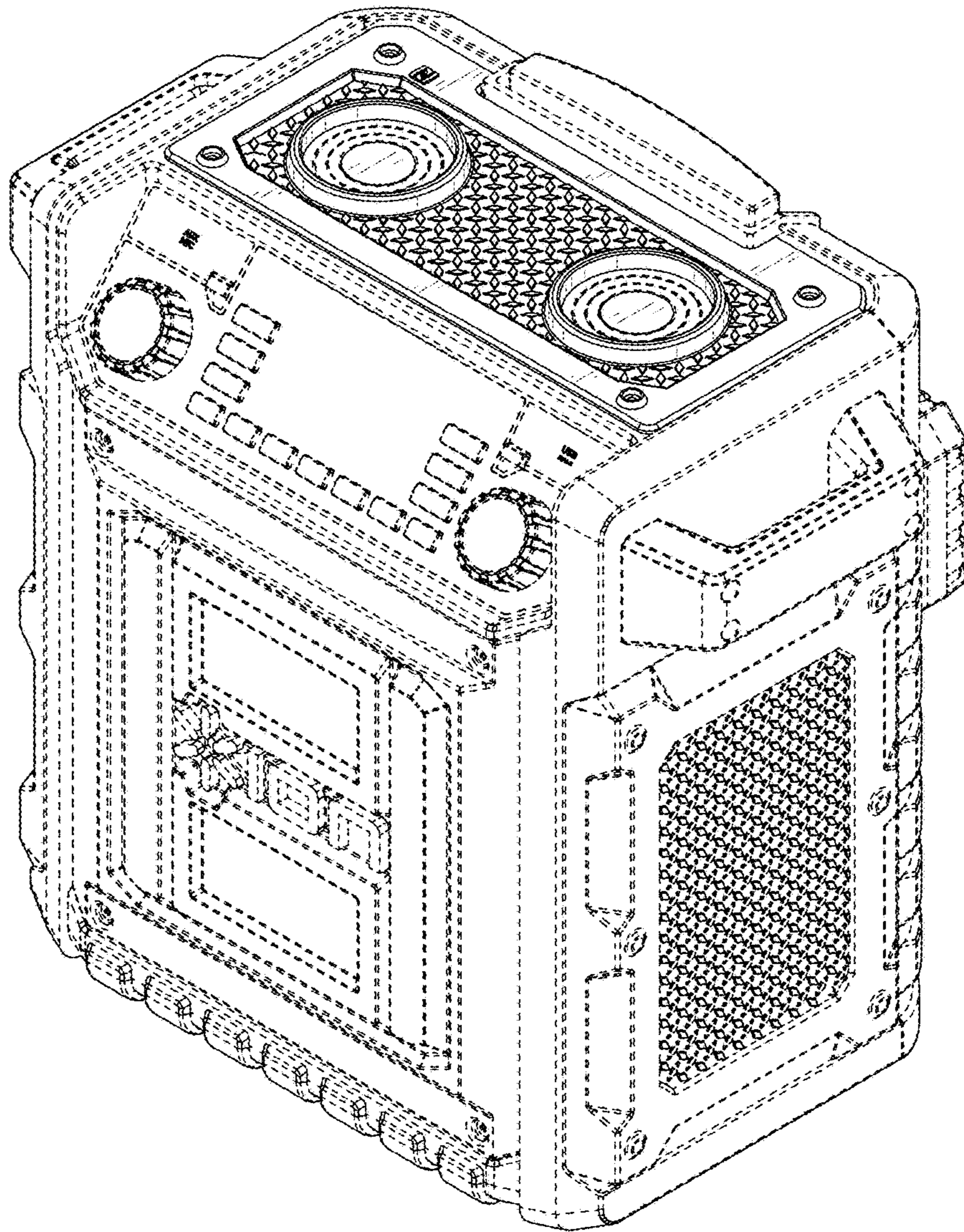


FIG. 1

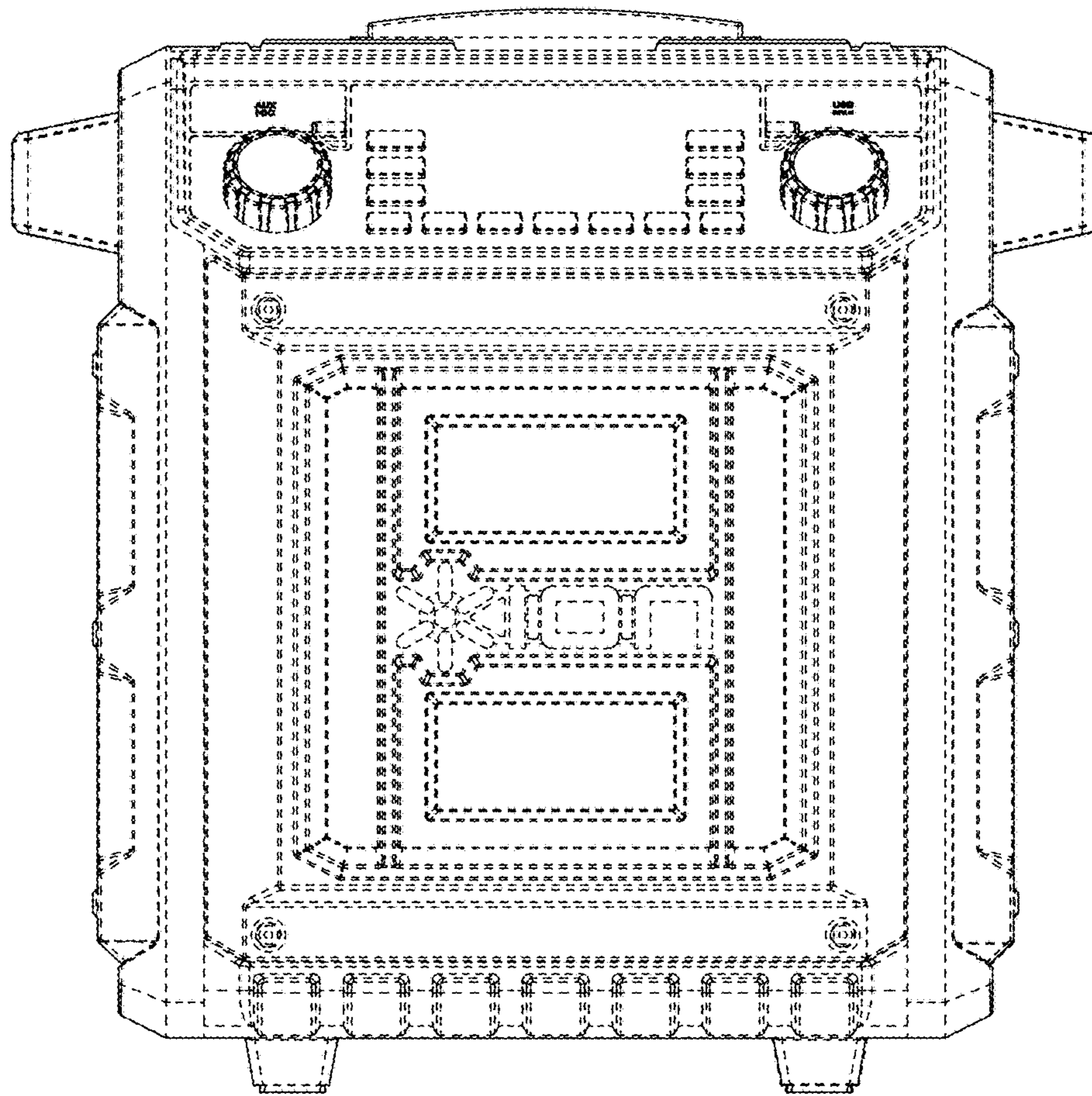


FIG. 2

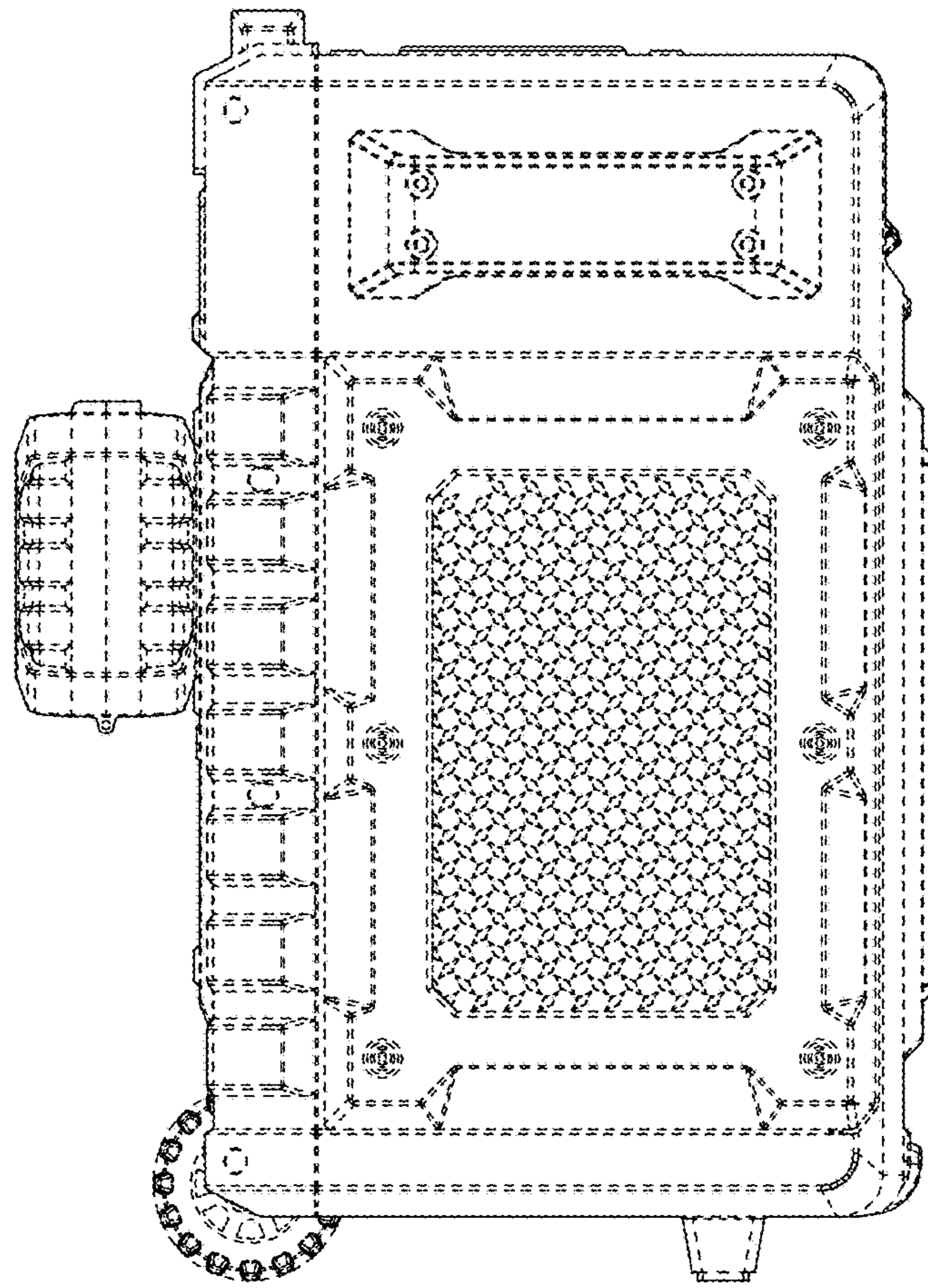


FIG. 4

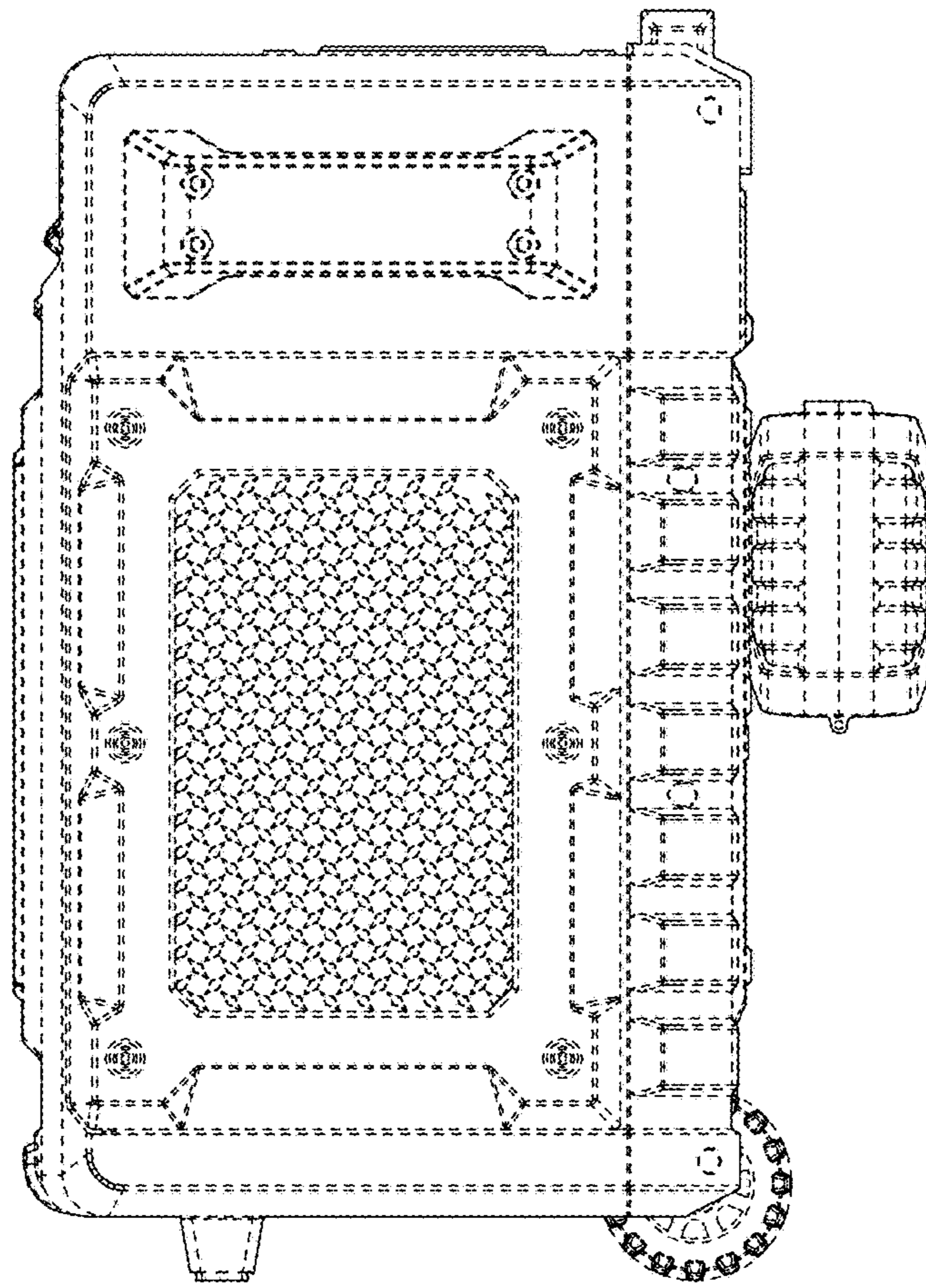


FIG. 5

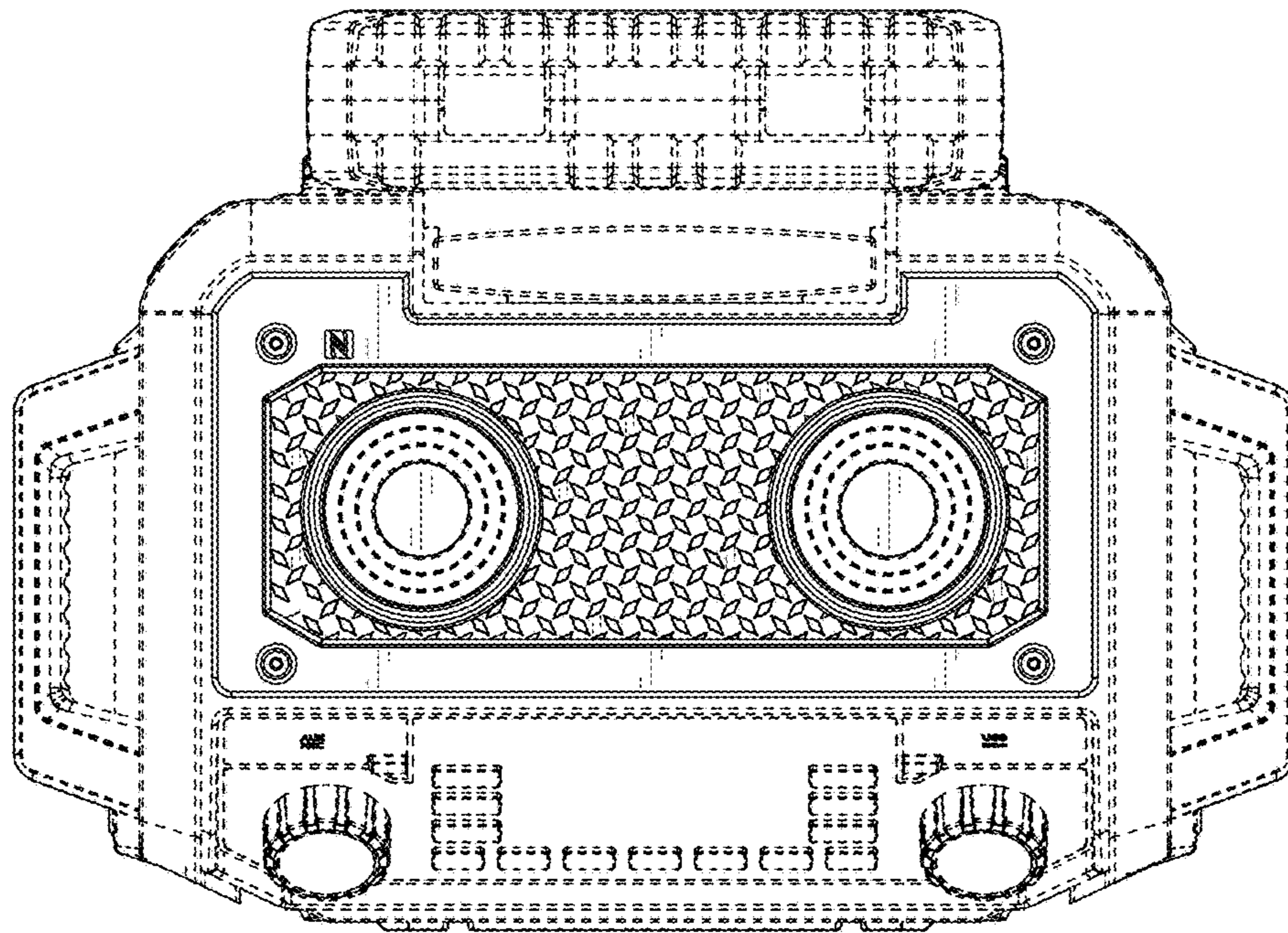


FIG. 6

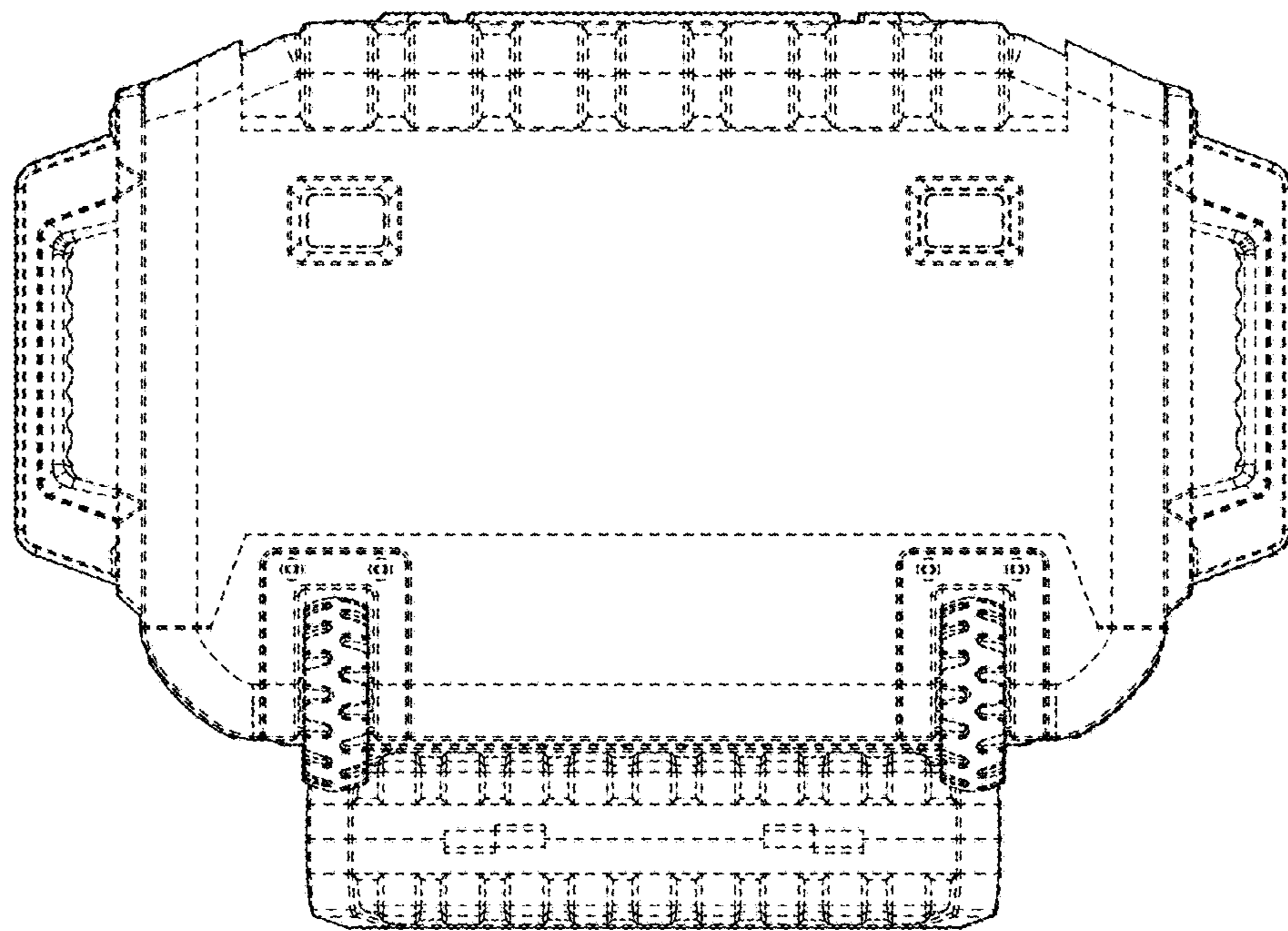


FIG. 7