



US00D851066S

(12) **United States Design Patent**
Hsu

(10) **Patent No.:** **US D851,066 S**
(45) **Date of Patent:** **** Jun. 11, 2019**

(54) **ACOUSTIC DEVICE**

(71) Applicant: **Dong Guan Jia Sheng Lighting Technology Co., Ltd. China,**
Dong-Guna, Guang-Dong (CN)

(72) Inventor: **Kevin Hsu,** Taichung (TW)

(73) Assignee: **Dong Guan Jia Sheng Lighting Tehcnology Co., Ltd. China,**
Guang-Dong (CN)

(**) Term: **15 Years**

(21) Appl. No.: **29/616,556**

(22) Filed: **Sep. 7, 2017**

(51) **LOC (11) Cl.** **14-01**

(52) **U.S. Cl.**
USPC **D14/209.1**

(58) **Field of Classification Search**
USPC D10/104.1, 104.2, 105, 106.1, 106.2,
D10/106.3, 106.4, 106.5, 106.6, 106.7,
D10/106.8, 106.9, 106.91, 106.92, 106.93,
D10/106.94, 106.95, 107, 108, 109.1,
D10/109.2, 110, 111, 112, 113.1, 113.2,
D10/113.3, 113.4, 114.1, 114.2, 114.3,
D10/114.4, 114.5, 114.6, 114.7, 114.8,
D10/114.9, 115, 116.1, 117, 118, 118.1,
D10/118.2, 119.1, 119.2, 119.3, 119.4,
D10/120, 121; 381/332; D14/172, 204,
D14/209.1, 211, 215, 216, 221; D26/9,
D26/16, 22, 49, 52, 57, 93, 94, 96, 109,
D26/110, 115; D17/13, 99

CPC H04R 1/02
See application file for complete search history.

(56) **References Cited**

U.S. PATENT DOCUMENTS

D57,511 S * 4/1921 Couturier D17/13
D65,635 S * 9/1924 Clement D26/149

D280,445 S * 9/1985 Boss D26/110
D280,937 S * 10/1985 Sher D26/110
D280,940 S * 10/1985 Sher D26/110
4,580,654 A * 4/1986 Hale H04R 1/02
181/146
D328,571 S * 8/1992 Hauser D10/114.1
D370,290 S * 5/1996 Papillon D26/106
D394,327 S * 5/1998 Hutton D26/110
D413,999 S * 9/1999 Diaz-Azcuy D26/110
D414,289 S * 9/1999 Diaz-Azcuy D26/110
D426,483 S * 6/2000 Kadi D10/114.3
D467,025 S * 12/2002 Tinsley D26/110
D562,715 S * 2/2008 Treloar D10/113.3

(Continued)

OTHER PUBLICATIONS

Available Jan. 16, 2018, [online], [site visited May 26, 2018].
Available from Internet, URL: <https://www.etsy.com/listing/525719064/mid-century-modern-new-ventage-table> (Year: 2018).*

(Continued)

Primary Examiner — Cathron C Brooks
Assistant Examiner — Katrina N Gonzalez
(74) *Attorney, Agent, or Firm* — Alan D. Kamrath;
Kamrath IP Lawfirm, P.A.

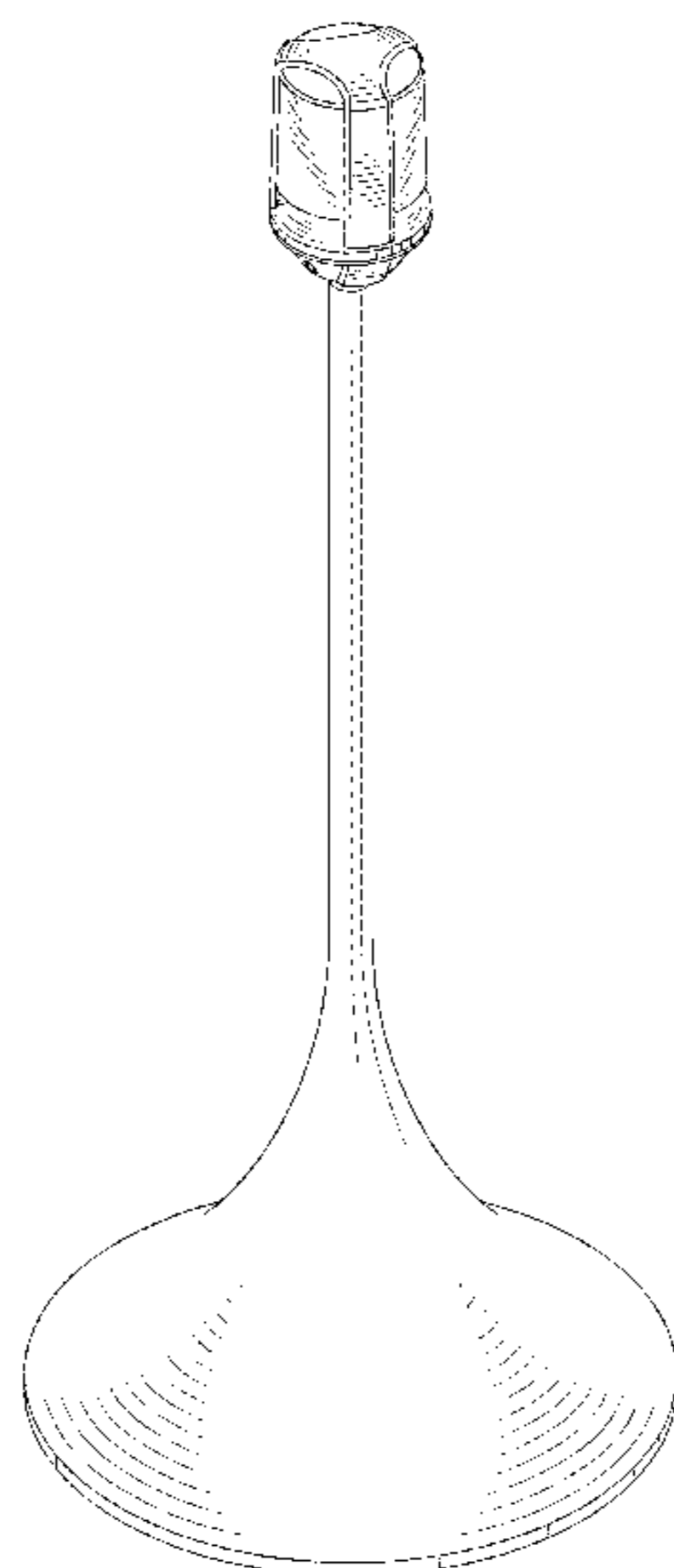
(57) **CLAIM**

The ornamental design for an acoustic device, as shown and described.

DESCRIPTION

FIG. 1 is a perspective view of an acoustic device showing my design;
FIG. 2 is a front elevational view thereof;
FIG. 3 is a rear elevational view thereof;
FIG. 4 is a left side elevational view thereof;
FIG. 5 is a right side elevational view thereof;
FIG. 6 is a top plan view thereof; and,
FIG. 7 is a bottom plan view thereof.

1 Claim, 6 Drawing Sheets



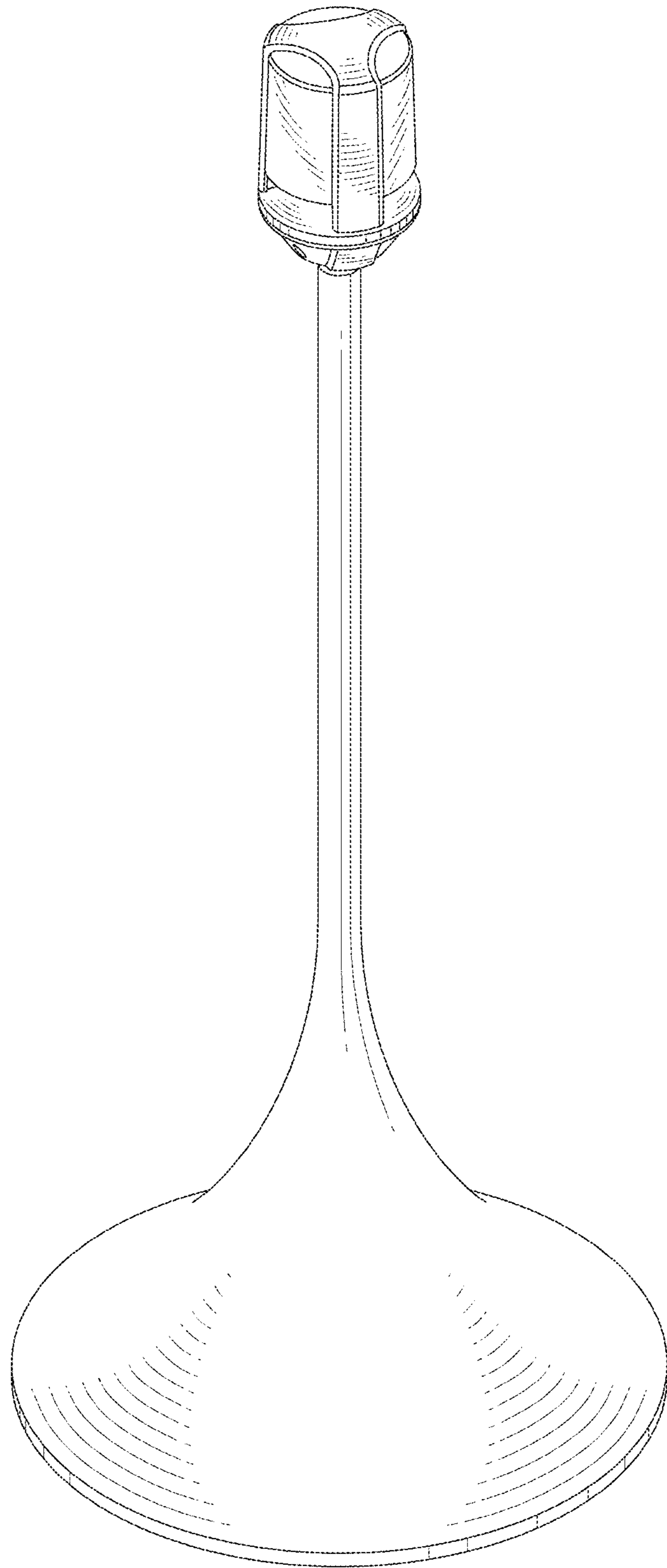


FIG. 1

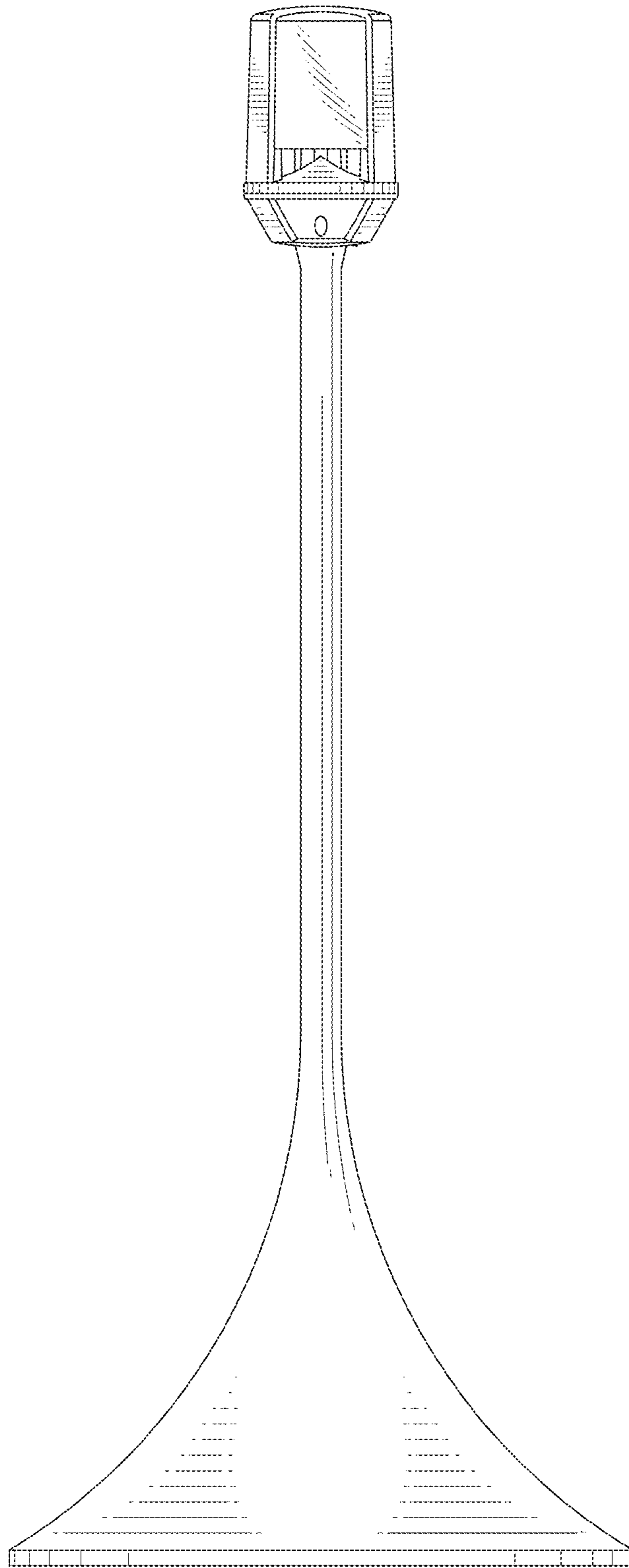


FIG. 2

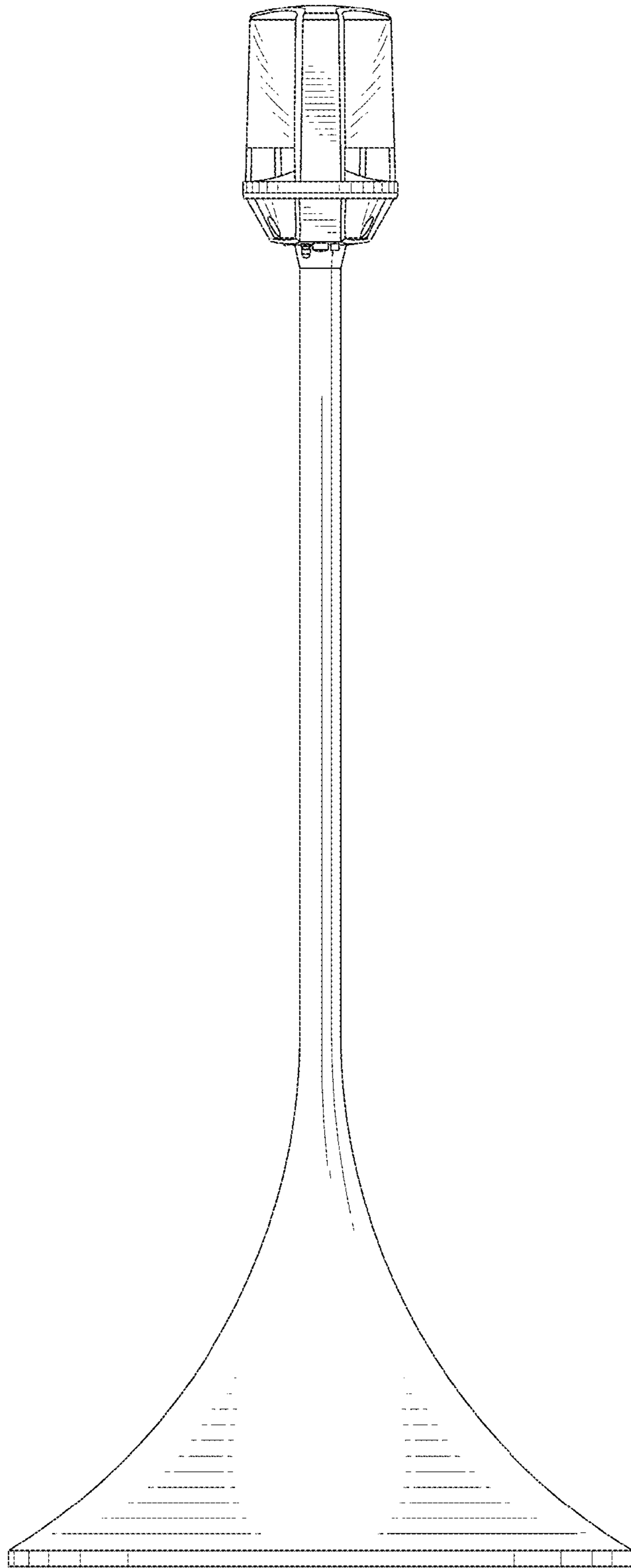


FIG. 3

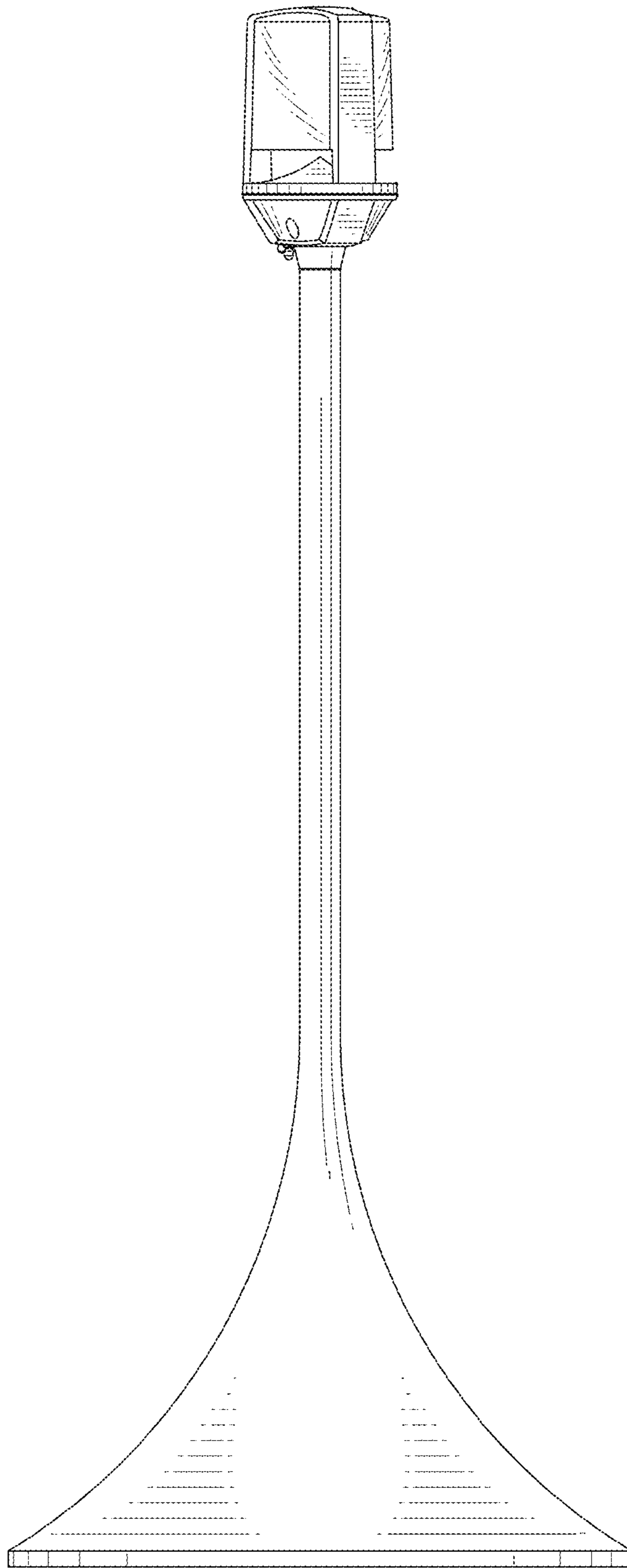


FIG. 4

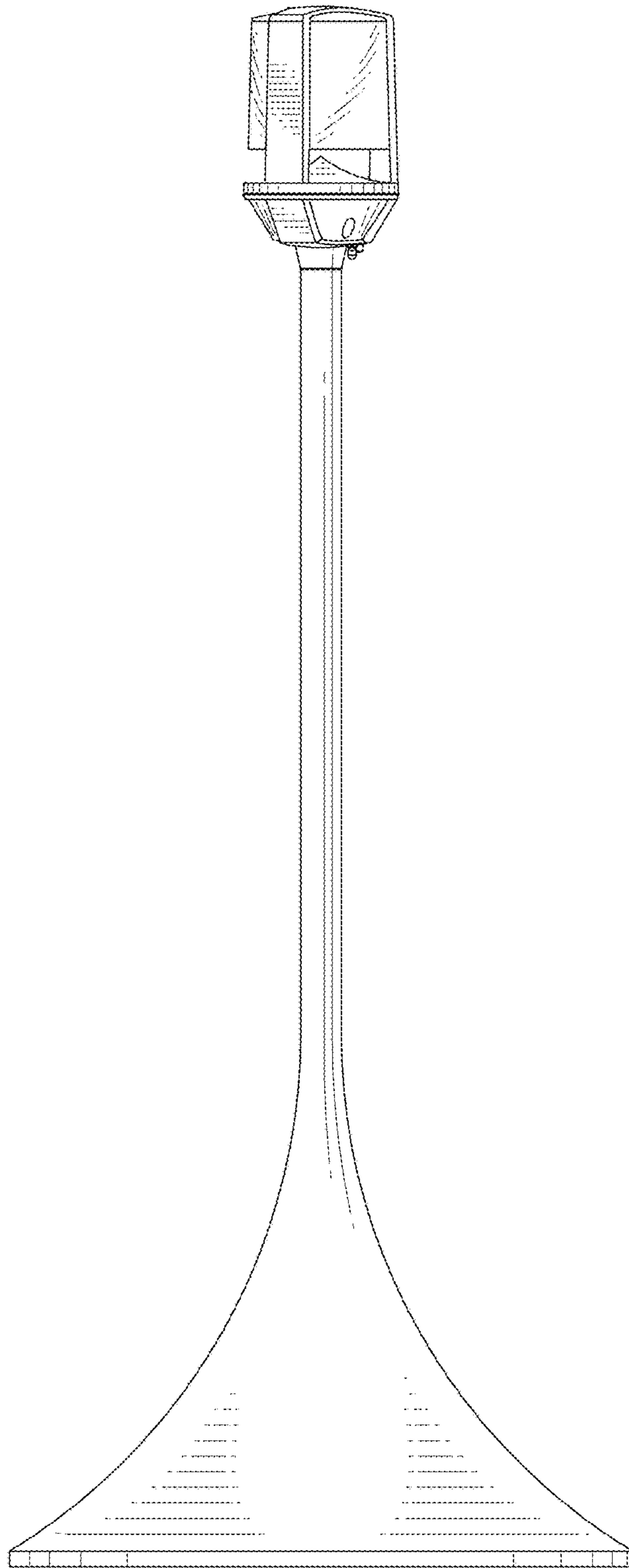


FIG. 5

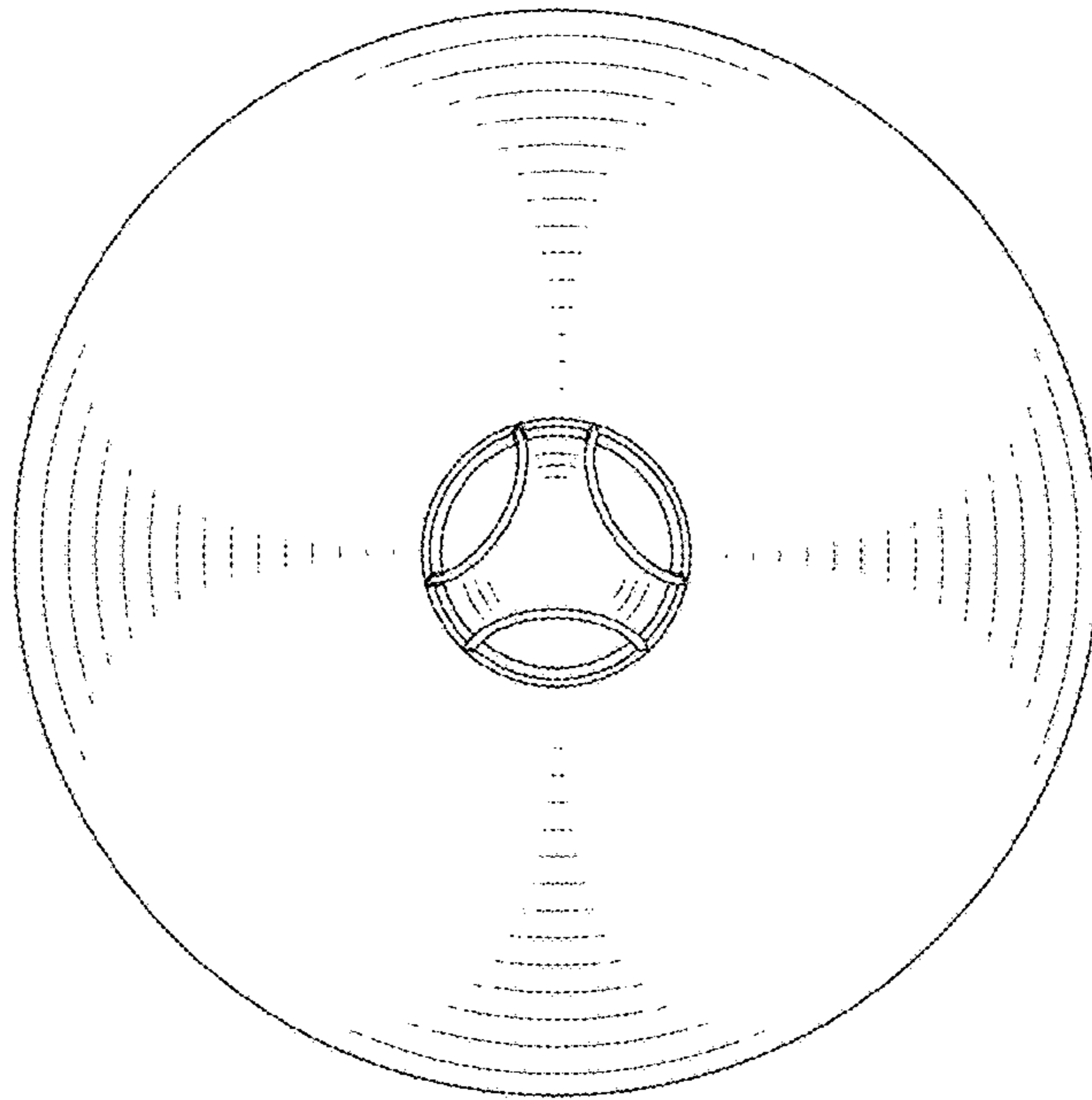


FIG. 6

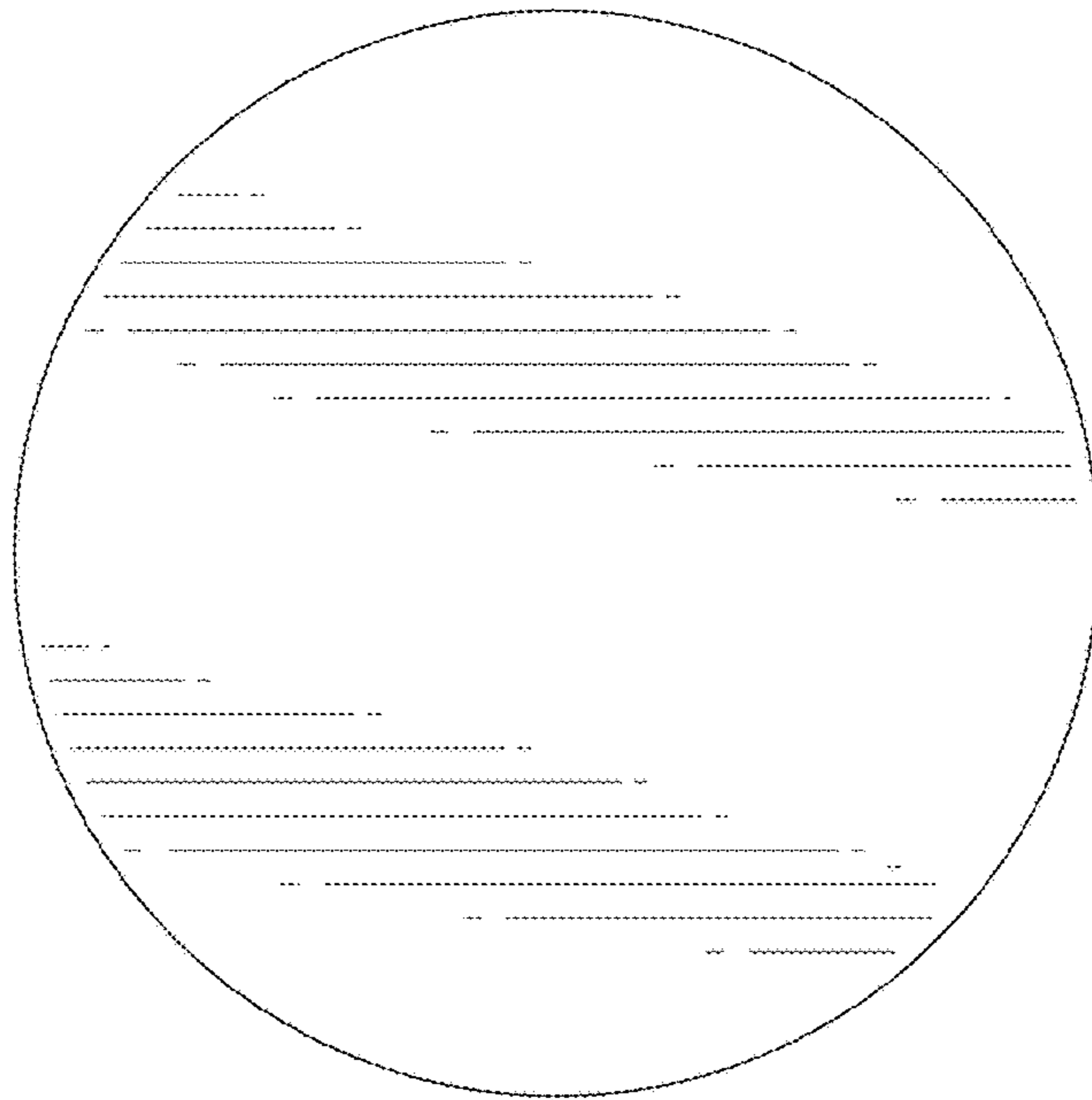


FIG. 7