



US00D851065S

(12) **United States Design Patent**  
**Yan**

(10) **Patent No.:** **US D851,065 S**

(45) **Date of Patent:** **\*\* Jun. 11, 2019**

(54) **WIRELESS EARPHONE**

(71) Applicant: **Xiaohuang Yan**, Fuzhou (CN)

(72) Inventor: **Xiaohuang Yan**, Fuzhou (CN)

(\*\*) Term: **15 Years**

(21) Appl. No.: **29/635,237**

(22) Filed: **Jan. 30, 2018**

(51) **LOC (11) Cl.** ..... **14-01**

(52) **U.S. Cl.**  
USPC ..... **D14/206; D14/226**

(58) **Field of Classification Search**  
USPC ..... D14/206, 225, 226, 205; D24/174;  
128/865, 866, 867; 181/129, 130, 135;  
379/430, 431; 381/380, 381, 374, 370,  
381/379; 455/90.3, 575.1, 569.1  
CPC ..... H04R 25/00; H04R 1/10; H04R 1/1066;  
H04R 1/1016; H04R 1/105; H04R 1/083;  
H04R 5/033; H04R 5/0335  
See application file for complete search history.

(56) **References Cited**

**U.S. PATENT DOCUMENTS**

D179,150 S *	11/1956	Norris	.....	D14/192
D251,234 S *	3/1979	Hakansson	.....	D10/46
D295,403 S *	4/1988	Oleson	.....	D14/225
D354,568 S *	1/1995	Araki	.....	D24/174
D357,477 S *	4/1995	Mueller	.....	D14/206
D384,958 S *	10/1997	Shudo	.....	D14/206
D385,036 S *	10/1997	Nielsen	.....	D24/174
D439,890 S *	4/2001	Skulley	.....	D14/206
D443,603 S *	6/2001	Taylor	.....	D14/206
D447,472 S *	9/2001	McGugan	.....	D14/225
D447,473 S *	9/2001	Chuang	.....	D13/151
D447,743 S *	9/2001	Ma	.....	D14/223
D449,290 S *	10/2001	Taylor	.....	D14/206
D451,907 S *	12/2001	Amac	.....	D14/206

D452,857 S *	1/2002	Hong	.....	D14/206
D455,417 S *	4/2002	Bey	.....	D14/206
D457,635 S *	5/2002	Dittli	.....	D24/174
D458,247 S *	6/2002	Davies	.....	D14/206
D463,784 S *	10/2002	Taylor	.....	D14/206
D464,943 S *	10/2002	Lai	.....	D14/206
D464,951 S *	10/2002	Skulley	.....	D14/142
D468,721 S *	1/2003	Nguyen	.....	D14/205
D469,081 S *	1/2003	Perszyk	.....	D14/205
D470,121 S *	2/2003	Nguyen	.....	D14/205
D470,478 S *	2/2003	Kohli	.....	D14/223
D474,171 S *	5/2003	Suzuki	.....	D14/206
D474,178 S *	5/2003	Eroma	.....	D14/205
D476,645 S *	7/2003	Padala	.....	D14/223
D477,821 S *	7/2003	Bieltvedt	.....	D14/206
D480,072 S *	9/2003	Ham	.....	D14/223
D490,398 S *	5/2004	Gwee	.....	D14/205
D498,227 S *	11/2004	Dyer	.....	D14/205
D504,419 S *	4/2005	Bey	.....	D14/223
D504,673 S *	5/2005	Dyer	.....	D14/205
D504,887 S *	5/2005	Skulley	.....	D14/223
D505,413 S *	5/2005	Skulley	.....	D14/223

(Continued)

*Primary Examiner* — Paula Allen Greene  
(74) *Attorney, Agent, or Firm* — WPAT, PC

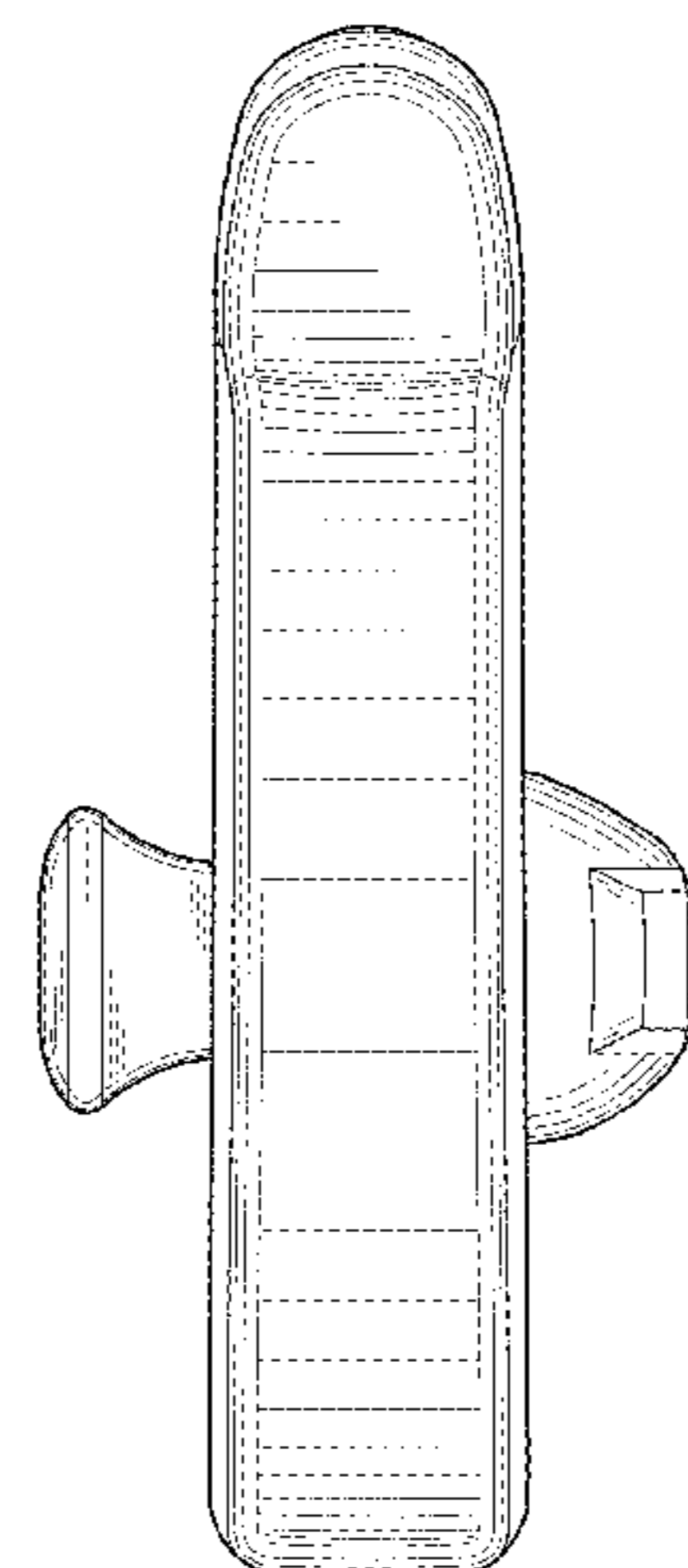
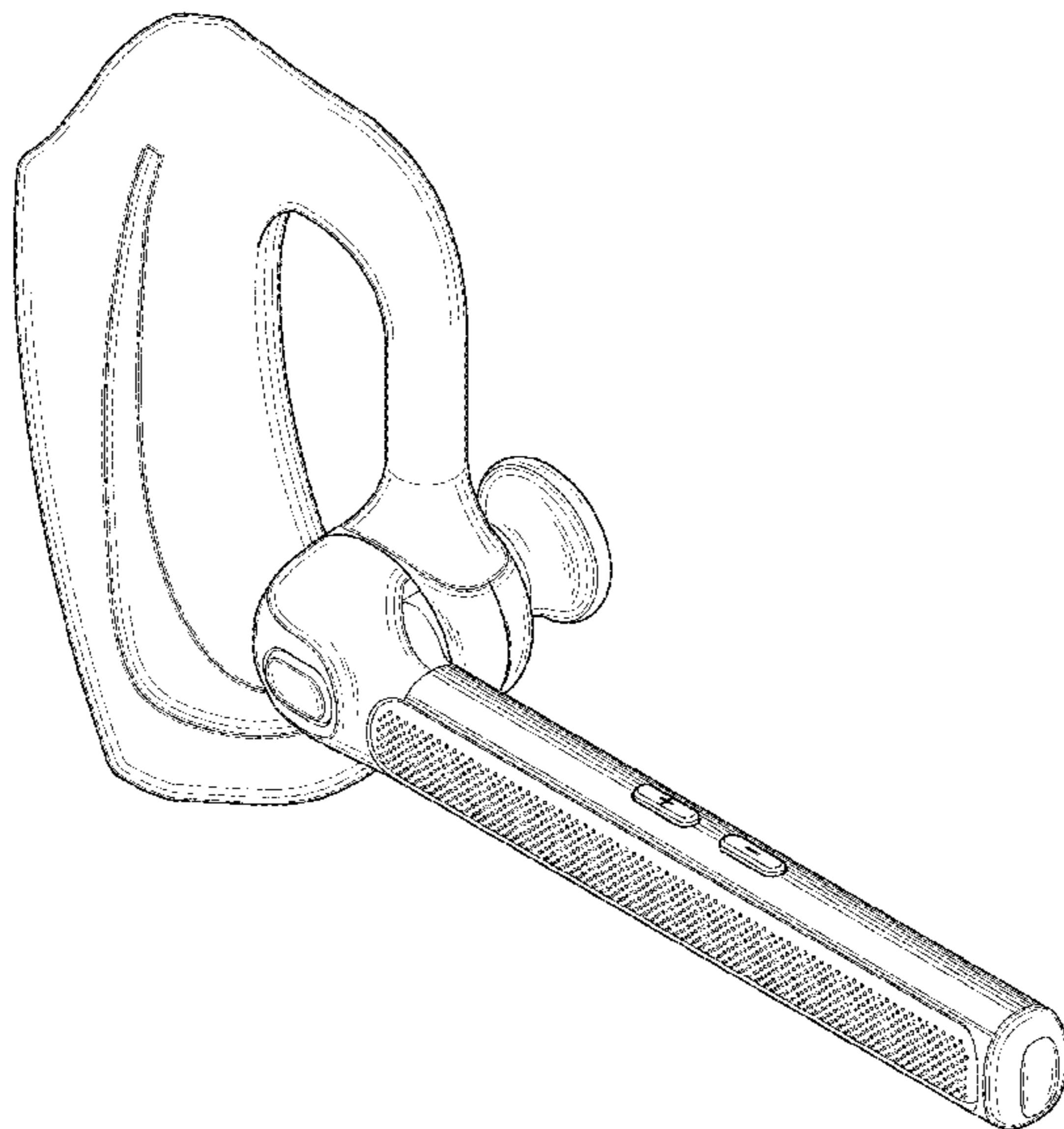
(57) **CLAIM**

The ornamental design for a “wireless earphone”, as shown and described.

**DESCRIPTION**

FIG. 1 is a front, left and top perspective view of a wireless earphone showing my new design;  
FIG. 2 is a front elevational view thereof;  
FIG. 3 is a rear elevational view thereof;  
FIG. 4 is a left side elevational view thereof;  
FIG. 5 is a right side elevational view thereof;  
FIG. 6 is a top plan view thereof;  
FIG. 7 is a bottom plan view thereof; and,  
FIG. 8 is a rear, right and bottom perspective view thereof.

**1 Claim, 7 Drawing Sheets**



(56)

References Cited

U.S. PATENT DOCUMENTS

D506,258 S \* 6/2005 Nielsen ..... D24/174  
 D506,472 S \* 6/2005 Tyner, Jr. .... D14/486  
 D511,156 S \* 11/2005 Eroma ..... D14/205  
 D512,984 S \* 12/2005 Ham ..... D14/205  
 D515,074 S \* 2/2006 Jacobson ..... D14/225  
 D517,528 S \* 3/2006 Skulley ..... D14/206  
 D518,473 S \* 4/2006 Gwee ..... D14/205  
 D518,479 S \* 4/2006 Skulley ..... D14/225  
 D519,498 S \* 4/2006 Ham ..... D14/225  
 D520,496 S \* 5/2006 Gwee ..... D14/205  
 D521,492 S \* 5/2006 Ham ..... D14/205  
 D530,819 S \* 10/2006 Jurkiewicz ..... D24/174  
 D535,980 S \* 1/2007 Bentley ..... D14/225  
 D537,815 S \* 3/2007 Bentley ..... D14/206  
 D539,266 S \* 3/2007 Bentley ..... D14/205  
 D539,789 S \* 4/2007 Rausch ..... D14/225  
 D541,787 S \* 5/2007 Ma ..... D14/205  
 D581,900 S \* 12/2008 Caddes ..... D14/206  
 D584,719 S \* 1/2009 Brennwald ..... D14/205  
 D603,372 S \* 11/2009 Bentley ..... D14/206  
 D612,834 S \* 3/2010 Yang ..... D14/206  
 D612,835 S \* 3/2010 Yang ..... D14/206  
 D612,840 S \* 3/2010 Yang ..... D14/206  
 D647,877 S \* 11/2011 Son ..... D14/206  
 D653,649 S \* 2/2012 Yang ..... D14/206  
 D657,347 S \* 4/2012 Chung ..... D14/206  
 D667,121 S \* 9/2012 Mori ..... D24/174  
 D670,267 S \* 11/2012 Maddern ..... D14/206  
 D671,915 S \* 12/2012 Birger ..... D14/206  
 8,374,370 B2 \* 2/2013 Zhang ..... A61B 5/121  
 381/322

D681,002 S \* 4/2013 Ham ..... D14/205  
 D681,003 S \* 4/2013 Ham ..... D14/206  
 D681,014 S \* 4/2013 Ham ..... D14/206  
 D705,936 S \* 5/2014 Lockenwitz ..... D24/174  
 D717,771 S \* 11/2014 Harper ..... D14/223  
 D726,147 S \* 4/2015 Tran ..... D14/206  
 D746,260 S \* 12/2015 Goransson ..... D14/206  
 D750,043 S \* 2/2016 Birger ..... D14/206  
 D784,290 S \* 4/2017 Paterson ..... D14/205  
 D784,291 S \* 4/2017 Paterson ..... D14/206  
 D789,331 S \* 6/2017 Paterson ..... D14/225  
 D797,076 S \* 9/2017 Zhang ..... D14/206  
 D800,692 S \* 10/2017 Tan ..... D14/206  
 D804,035 S \* 11/2017 Gabathuler ..... D24/174  
 D812,040 S \* 3/2018 Yan ..... D14/206  
 D828,327 S \* 9/2018 Birger ..... D14/206  
 D830,337 S \* 10/2018 Yan ..... D14/206  
 D830,338 S \* 10/2018 Yan ..... D14/206  
 D838,688 S \* 1/2019 Liu ..... D14/206  
 2004/0062410 A1 \* 4/2004 Wagner ..... H04R 25/65  
 381/330  
 2005/0129259 A1 \* 6/2005 Garner ..... H04R 1/083  
 381/172  
 2005/0259812 A1 \* 11/2005 Chen ..... H04M 1/05  
 379/431  
 2010/0290655 A1 \* 11/2010 Takeda ..... H04R 25/602  
 381/323  
 2013/0322646 A1 \* 12/2013 Davie ..... H04R 1/1041  
 381/74  
 2015/0237434 A1 \* 8/2015 Tran ..... H04R 1/1008  
 381/380  
 2017/0339489 A1 \* 11/2017 Sheen ..... H03G 5/005

\* cited by examiner

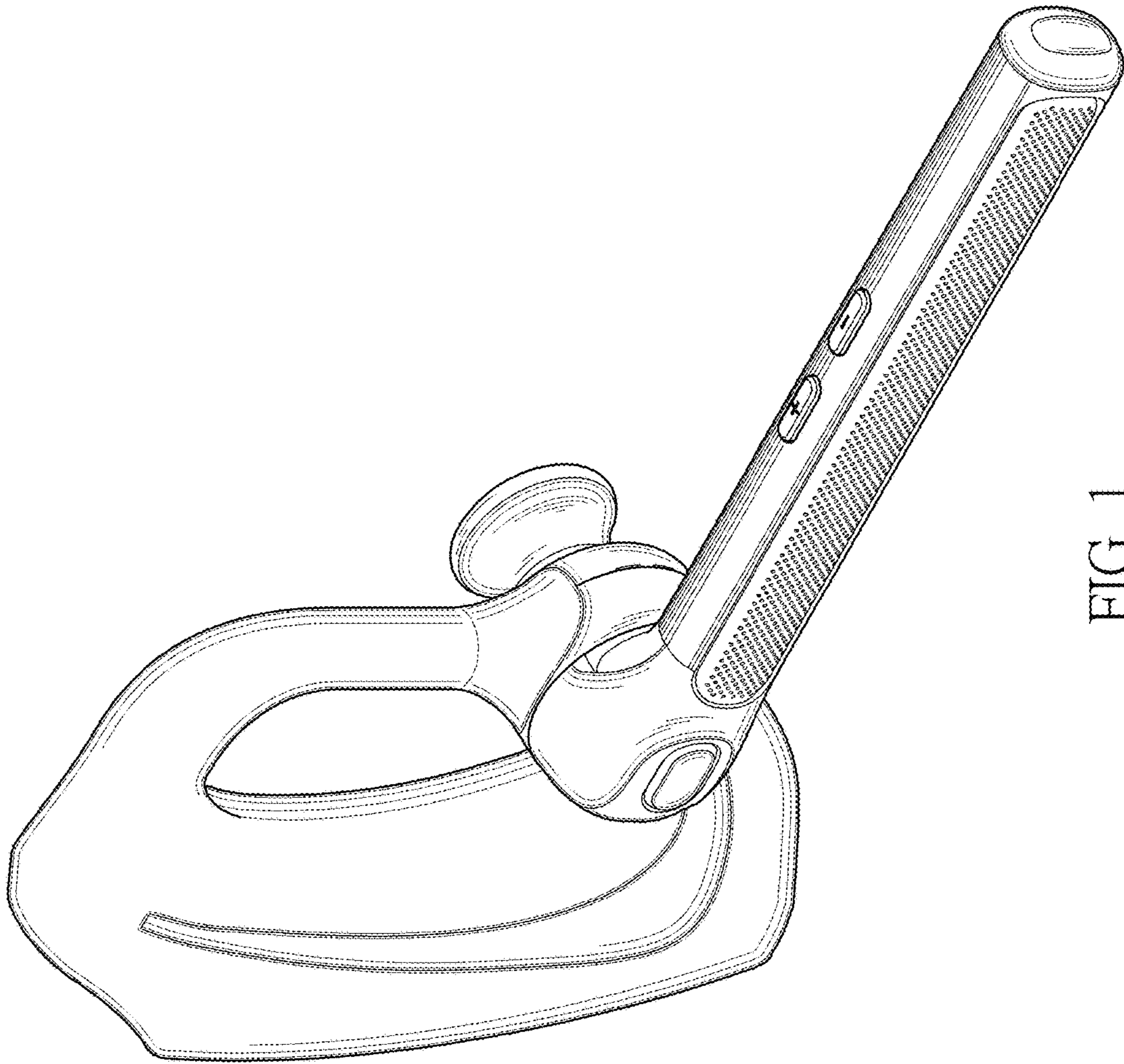


FIG. 1

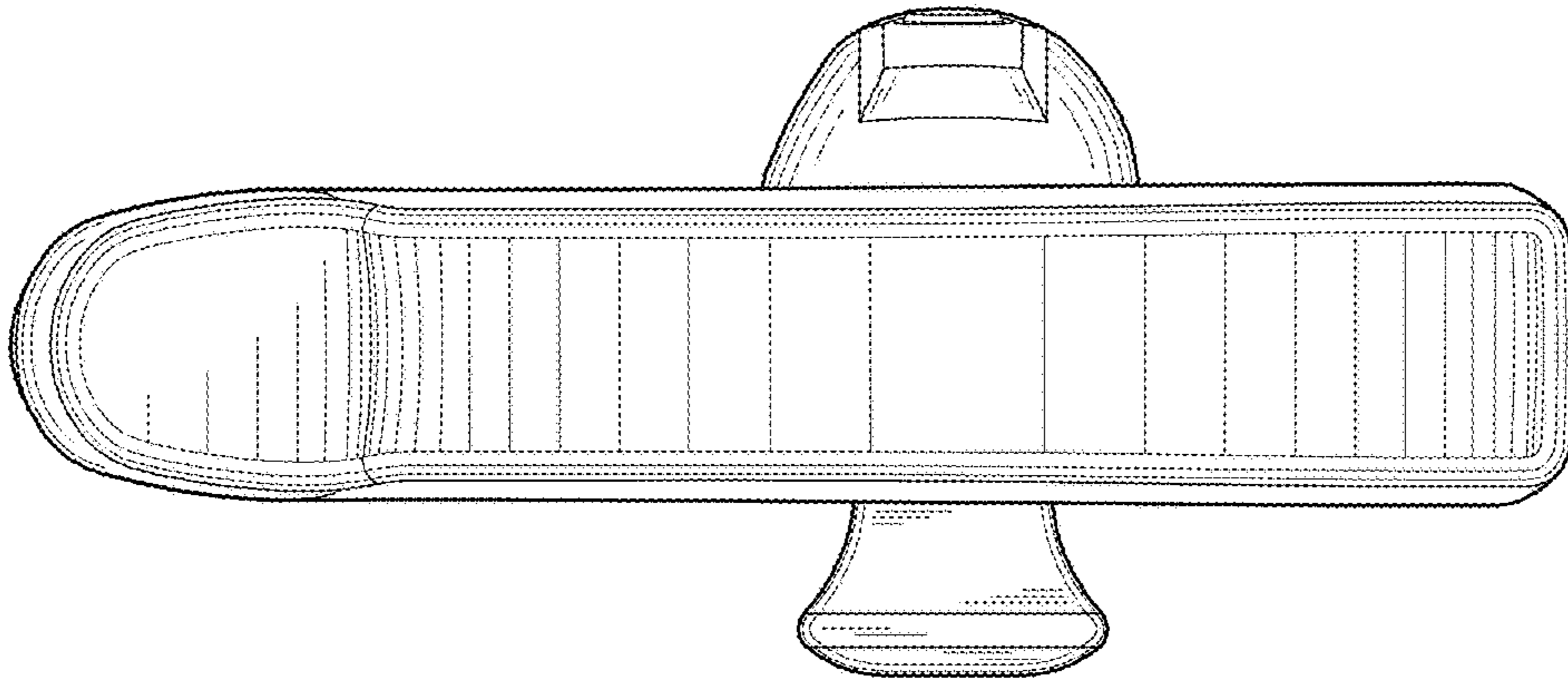


FIG. 3

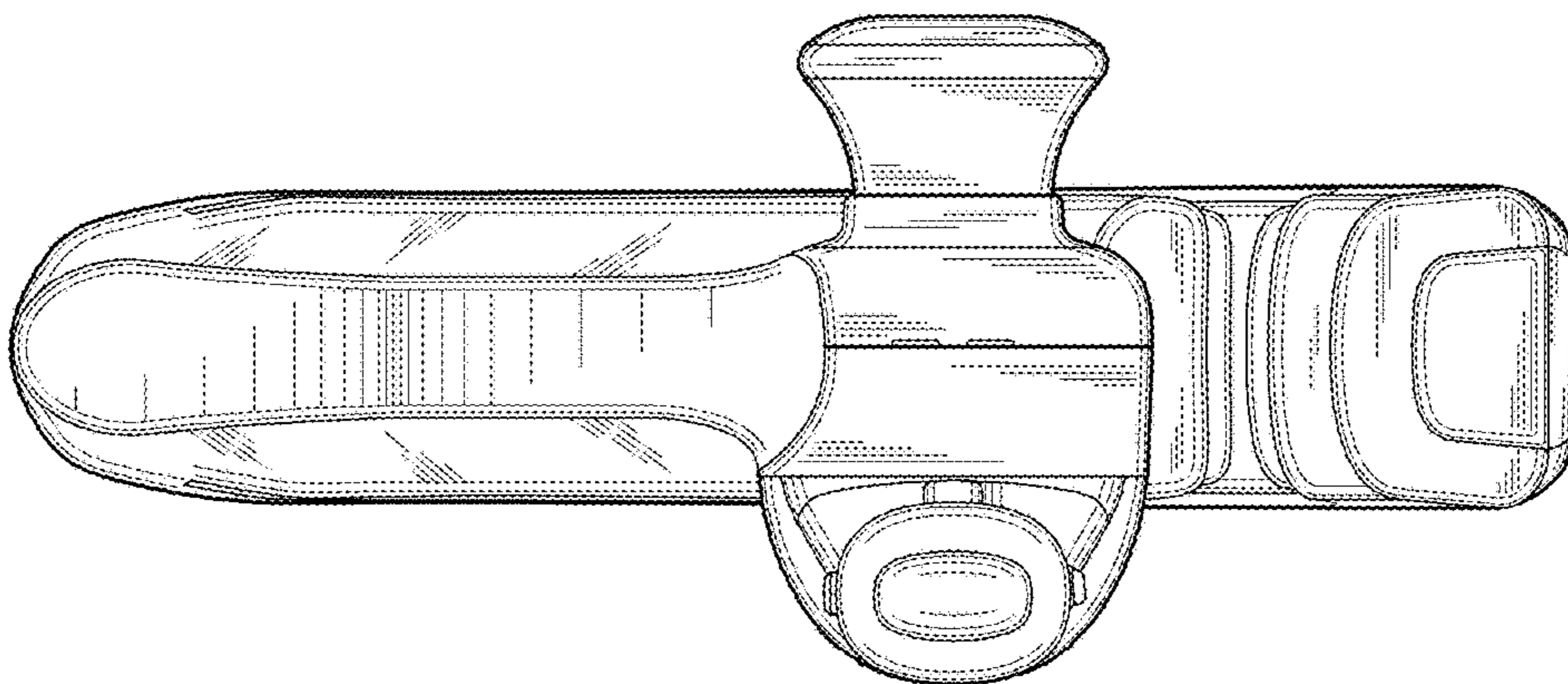


FIG. 2

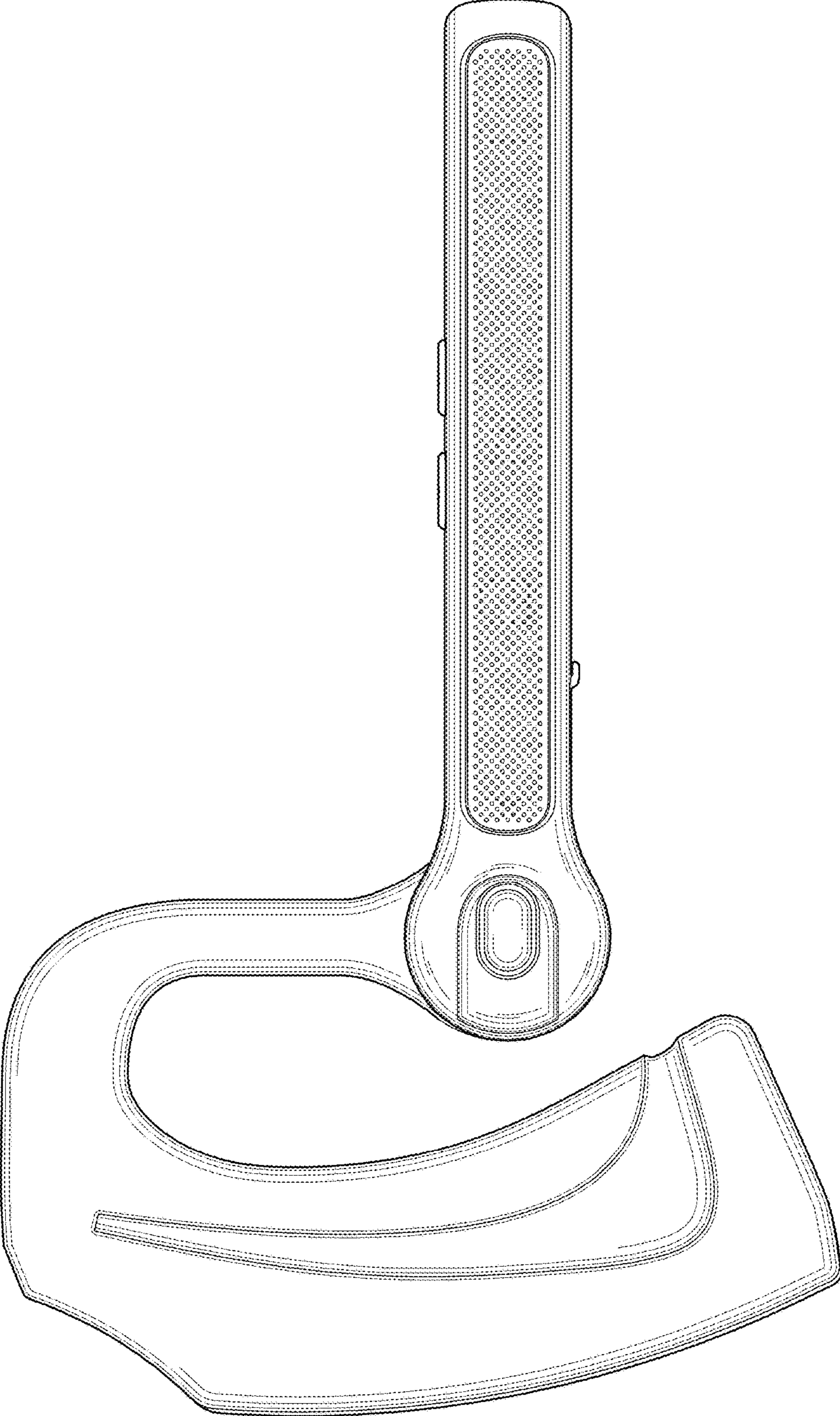


FIG. 4

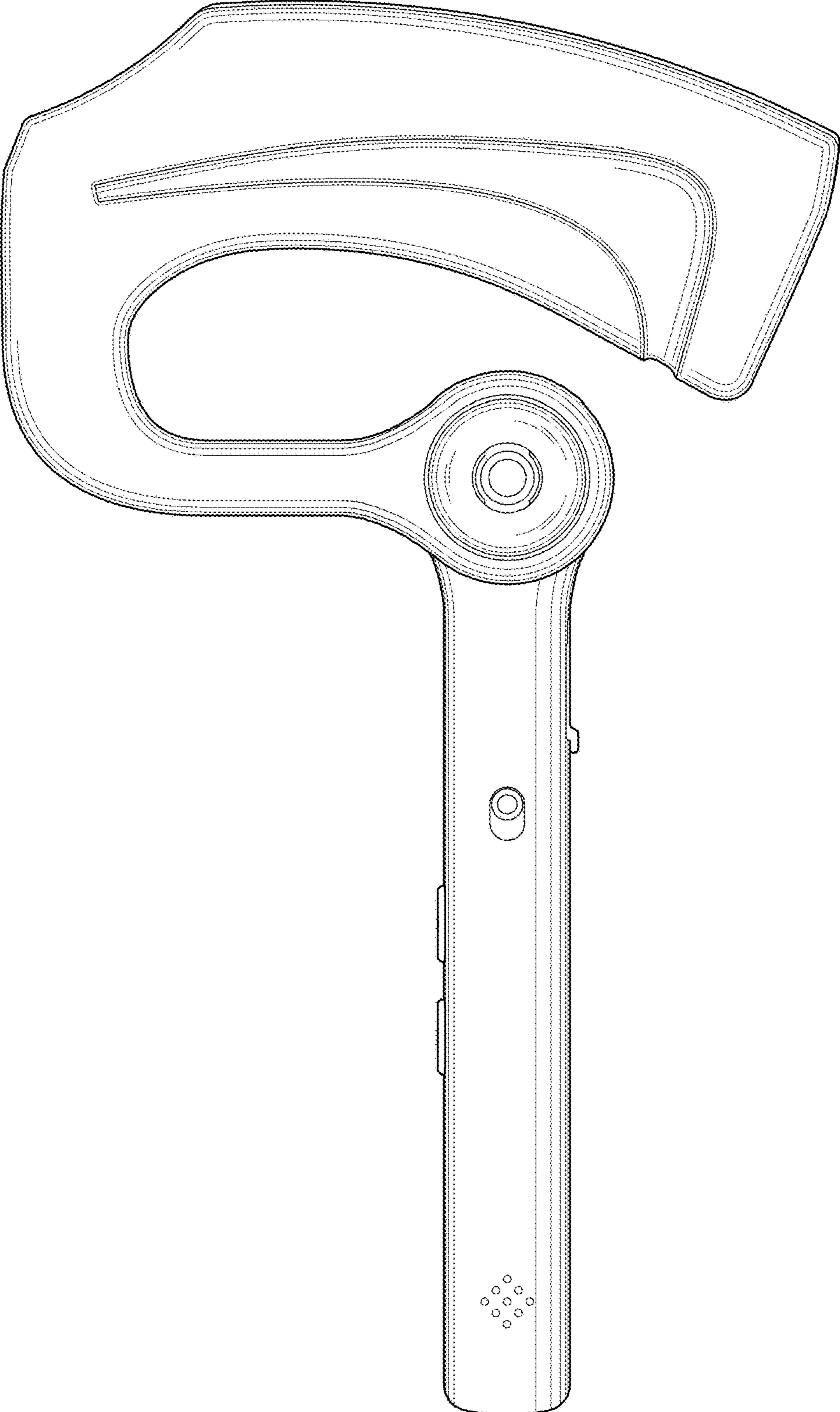


FIG. 5

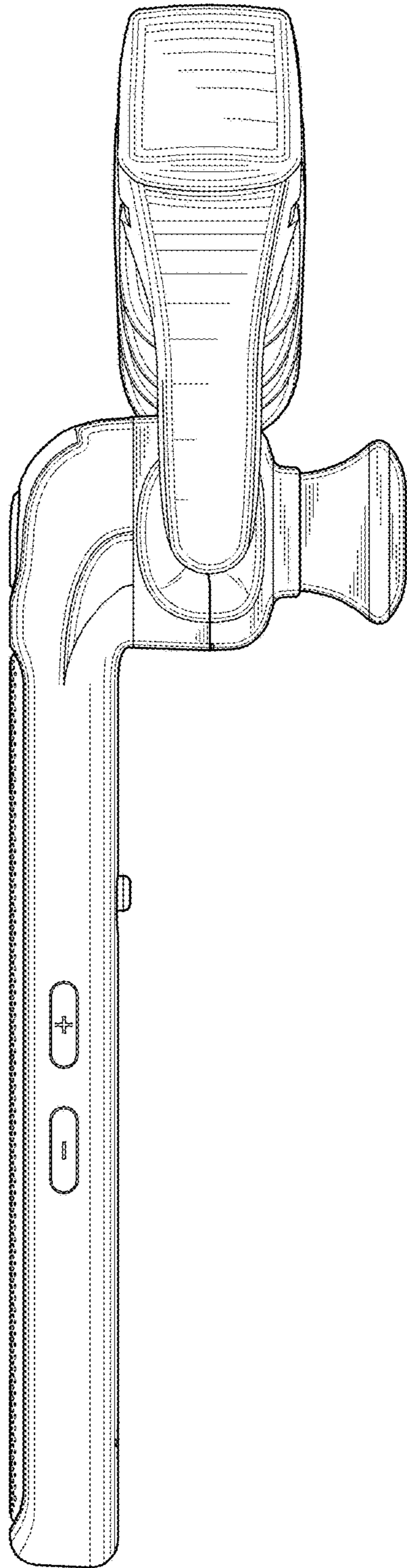


FIG. 6

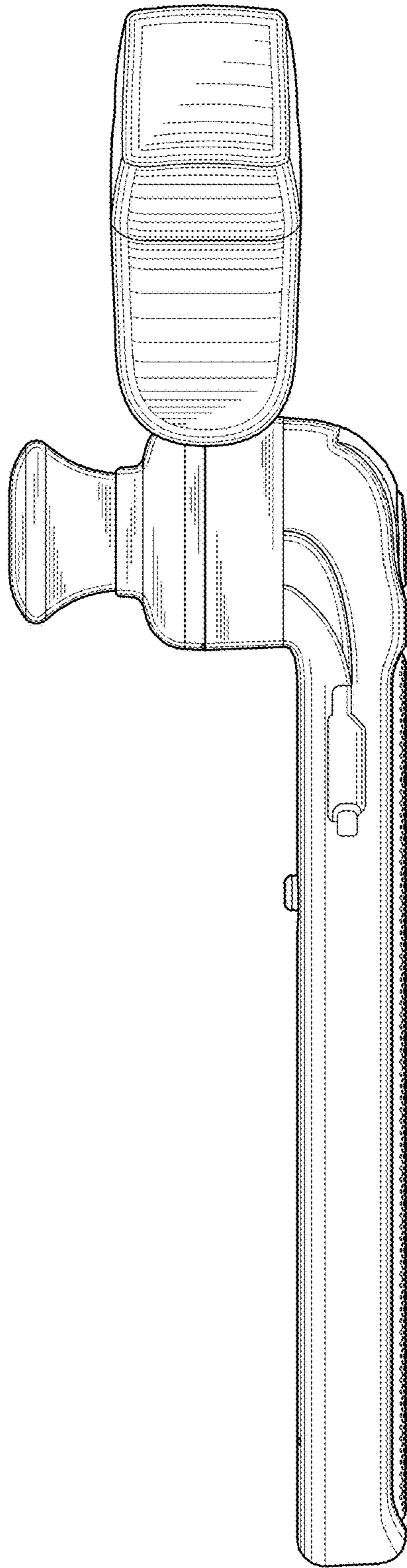


FIG. 7



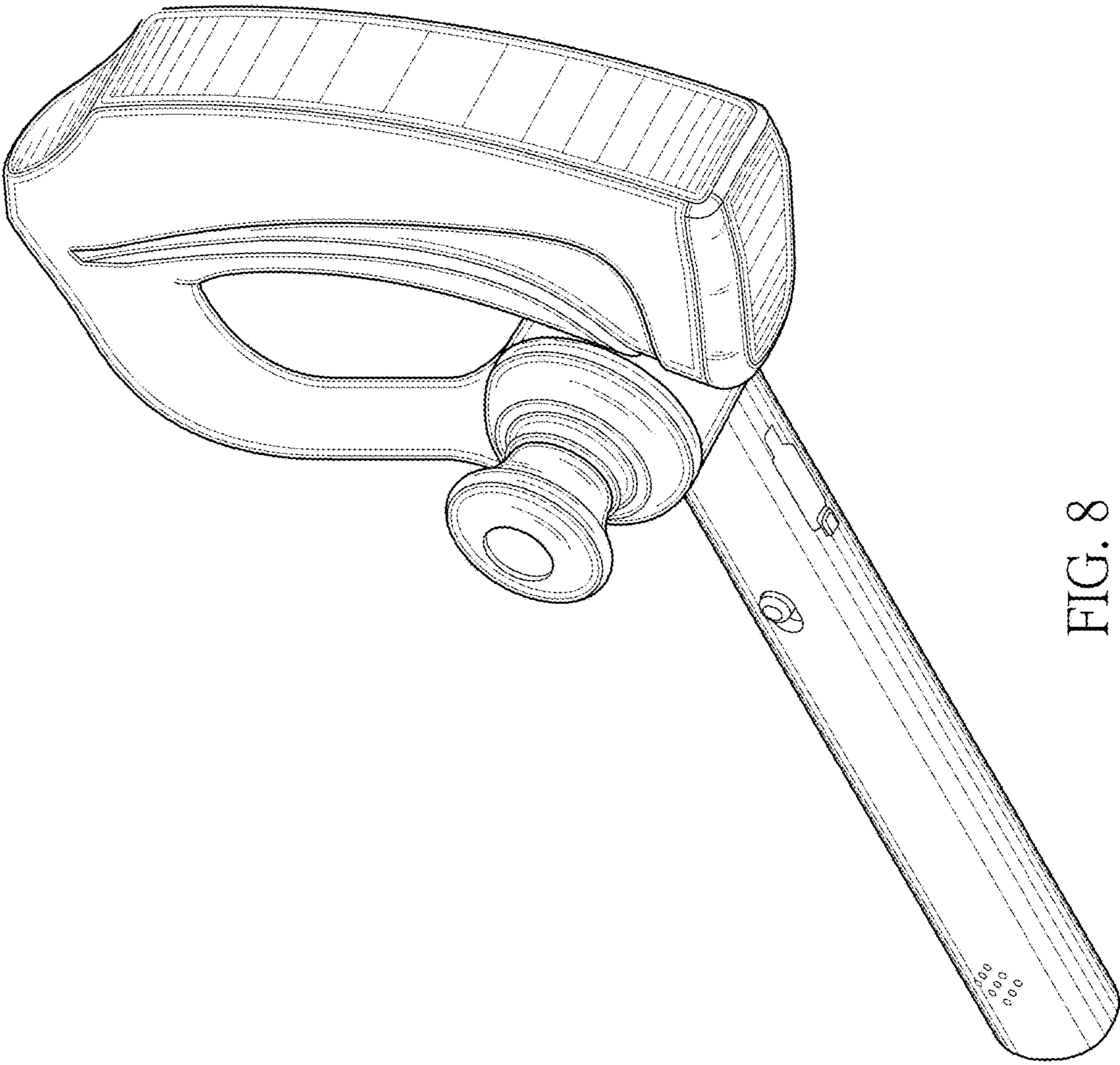


FIG. 8