



US00D851064S

(12) **United States Design Patent**
Wang

(10) **Patent No.:** **US D851,064 S**

(45) **Date of Patent:** **** Jun. 11, 2019**

(54) **GAMING HEADSET**

(71) Applicant: **Zhaoxia Wang**, Henan (CN)

(72) Inventor: **Zhaoxia Wang**, Henan (CN)

(**) Term: **15 Years**

(21) Appl. No.: **29/612,548**

(22) Filed: **Aug. 2, 2017**

(51) **LOC (11) Cl.** **14-01**

(52) **U.S. Cl.**
USPC **D14/206**; D14/226

(58) **Field of Classification Search**
USPC D14/206, 205, 225, 226, 188, 192, 372;
D29/112; 2/209; 345/7, 8; 181/129,
181/130, 135; 379/430, 431; 381/380,
381/381, 370, 375, 374, 382, 183;
455/90.3, 575.1, 569.1
CPC H04R 1/1066; H04R 1/1016; H04R 25/00;
H04R 1/105; H04R 5/033; H04R 5/0335;
H04R 1/1091; H04R 1/1058
See application file for complete search history.

5,841,858 A * 11/1998 Frierson H04M 1/0202
379/430
D404,035 S * 1/1999 Delazzer D14/205
5,960,094 A * 9/1999 Jensen H04M 1/05
381/374
D447,472 S * 9/2001 McGugan D14/225
6,295,366 B1 * 9/2001 Haller H04R 5/0335
379/430
D449,040 S * 10/2001 Weikel D14/227
D457,155 S * 5/2002 Skulley D14/206
D497,357 S * 10/2004 Allum D14/206
D505,413 S * 5/2005 Skulley D14/223
D508,483 S * 8/2005 Suzuki D14/205
D514,087 S * 1/2006 Wilson D14/206
D517,527 S * 3/2006 Suzuki D14/205
D517,528 S * 3/2006 Skulley D14/206
D518,479 S * 4/2006 Skulley D14/225
D531,165 S * 10/2006 Rath D14/206
D540,303 S * 4/2007 Rausch D14/205
D549,688 S * 8/2007 Suzuki D14/205
D589,492 S * 3/2009 Mistry D14/205
D600,674 S * 9/2009 Brennwald D14/205

(Continued)

Primary Examiner — Paula Allen Greene

(57) **CLAIM**

The ornamental design for a gaming headset, as shown and described.

DESCRIPTION

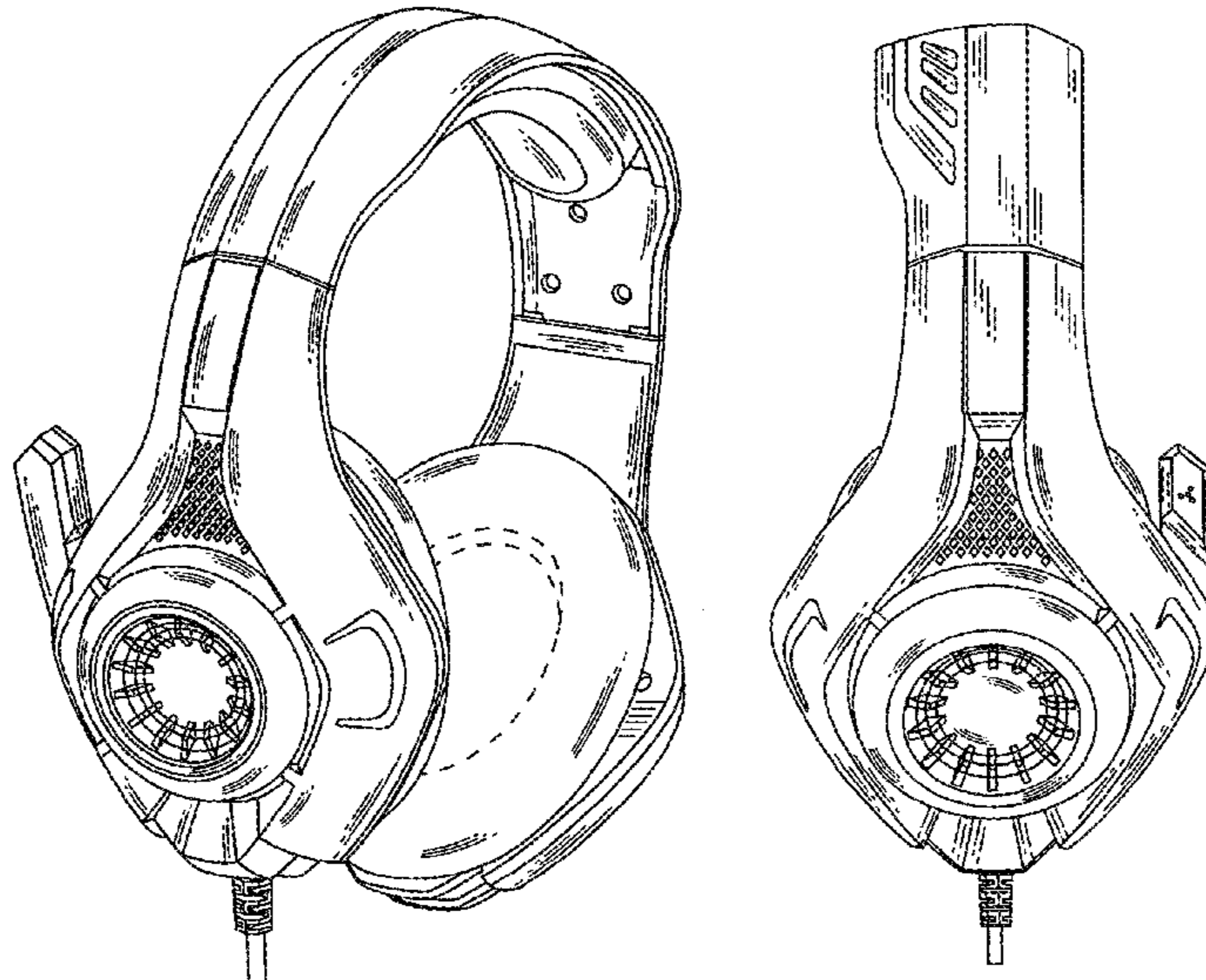
FIG. 1 is a perspective view of a gaming headset showing my new design, the opposite front face of the gaming headset ear cup is a mirror image;
FIG. 2 is a front elevational view thereof;
FIG. 3 is a rear elevational view thereof;
FIG. 4 is a left side elevational view thereof;
FIG. 5 is a right side elevational view thereof;
FIG. 6 is a top plan view thereof; and,
FIG. 7 is a bottom plan view thereof.
The broken lines depict environment that forms no part of the claimed design.

1 Claim, 7 Drawing Sheets

(56) **References Cited**

U.S. PATENT DOCUMENTS

3,488,457 A * 1/1970 Lahti H04R 1/1008
381/371
D233,444 S * 10/1974 Christian D14/206
D254,183 S * 2/1980 Doodson D14/205
4,754,484 A * 6/1988 Larkin H04M 1/05
379/419
D299,337 S * 1/1989 Wiegel D14/206
D302,429 S * 7/1989 Leer D14/137
5,708,725 A * 1/1998 Ito H04R 1/1041
381/370
D395,894 S * 7/1998 Hern D14/227
5,793,878 A * 8/1998 Chang H04R 5/0335
381/370



(56)

References Cited

U.S. PATENT DOCUMENTS

D604,266	S *	11/2009	Milde	D14/205
D641,727	S *	7/2011	Krauss	D14/206
D662,490	S *	6/2012	McSweyn	D14/205
D666,993	S *	9/2012	Kelley	D14/205
D672,745	S *	12/2012	Abed	D14/205
D673,522	S *	1/2013	Iijima	D14/205
D690,284	S *	9/2013	Brennwald	D14/205
D723,508	S *	3/2015	Garland	D14/205
D724,561	S *	3/2015	Ko	D14/205
9,036,849	B2 *	5/2015	Thompson	H04R 1/083 381/122
D741,286	S *	10/2015	Brennwald	D14/205
D745,859	S *	12/2015	Kiuchi	D14/205
D769,219	S *	10/2016	Ohmachi	D14/205
D788,071	S *	5/2017	Logan	D14/205
D808,359	S *	1/2018	Meyer	D14/205
D815,614	S *	4/2018	Tzeng	D14/205
D824,360	S *	7/2018	Hsieh	D14/205
2010/0040252	A1 *	2/2010	Thompson	H04R 1/083 381/375
2011/0194721	A1 *	8/2011	Schmidt	H04R 1/1066 381/370

* cited by examiner

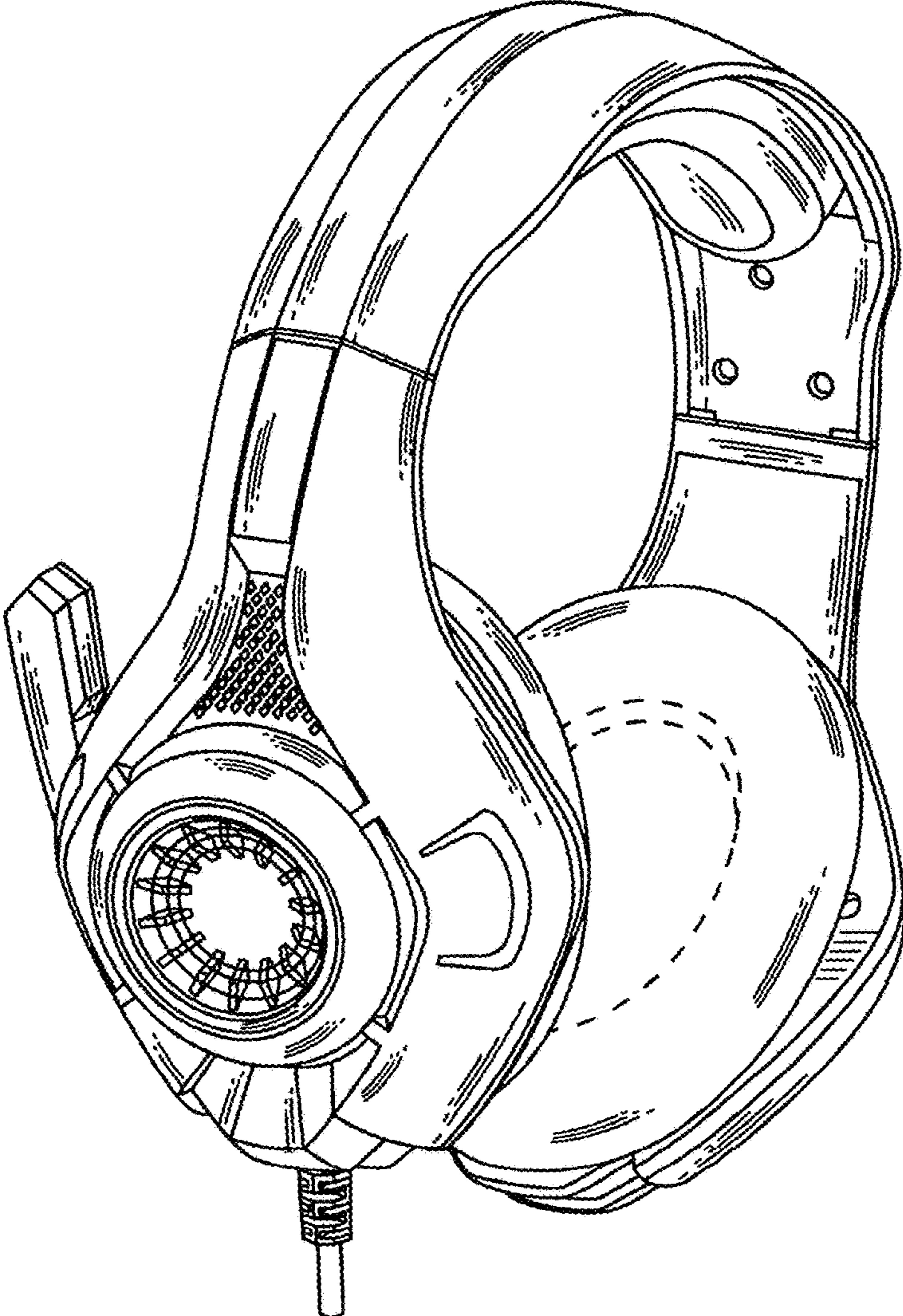


FIG. 1



FIG. 2



FIG. 3

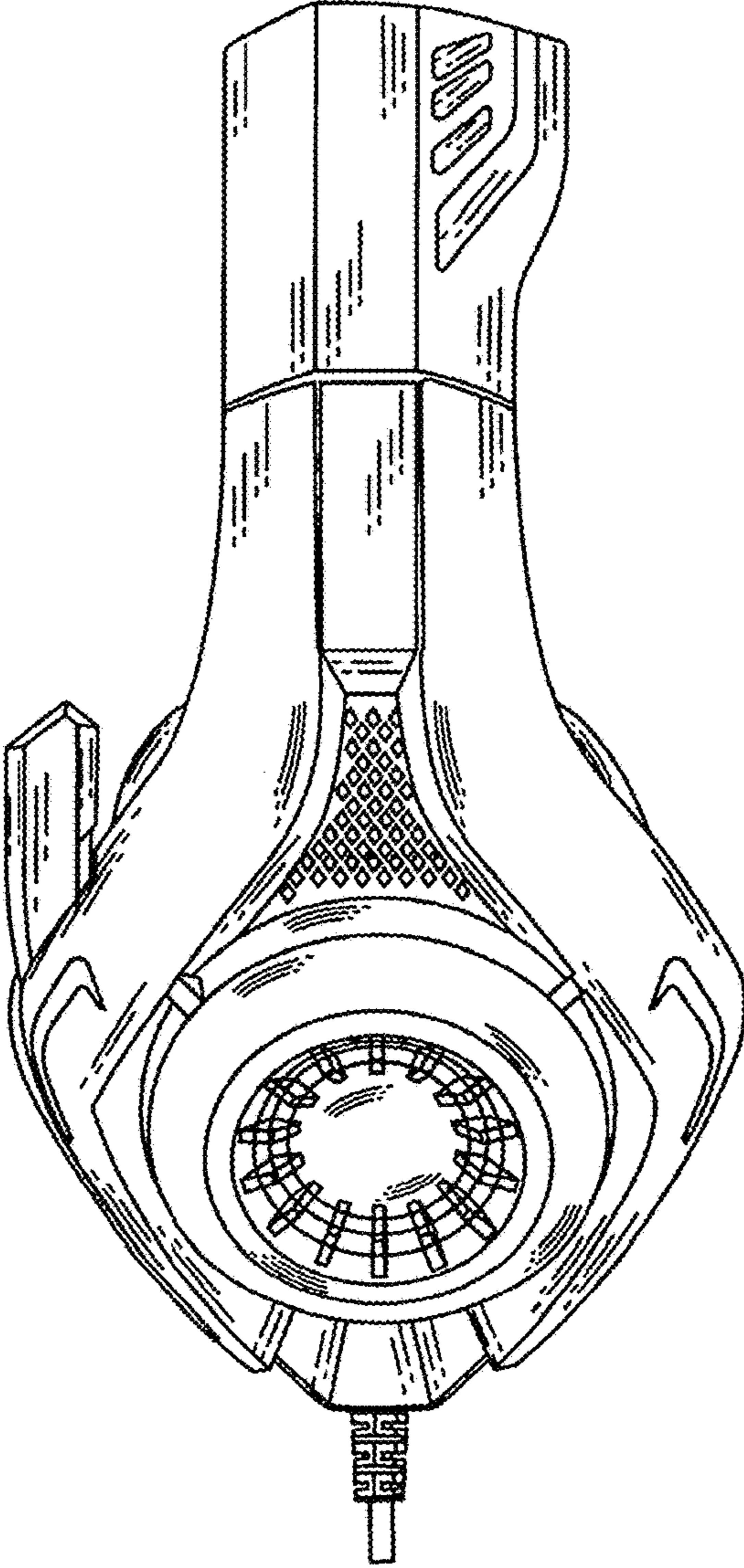


FIG. 4

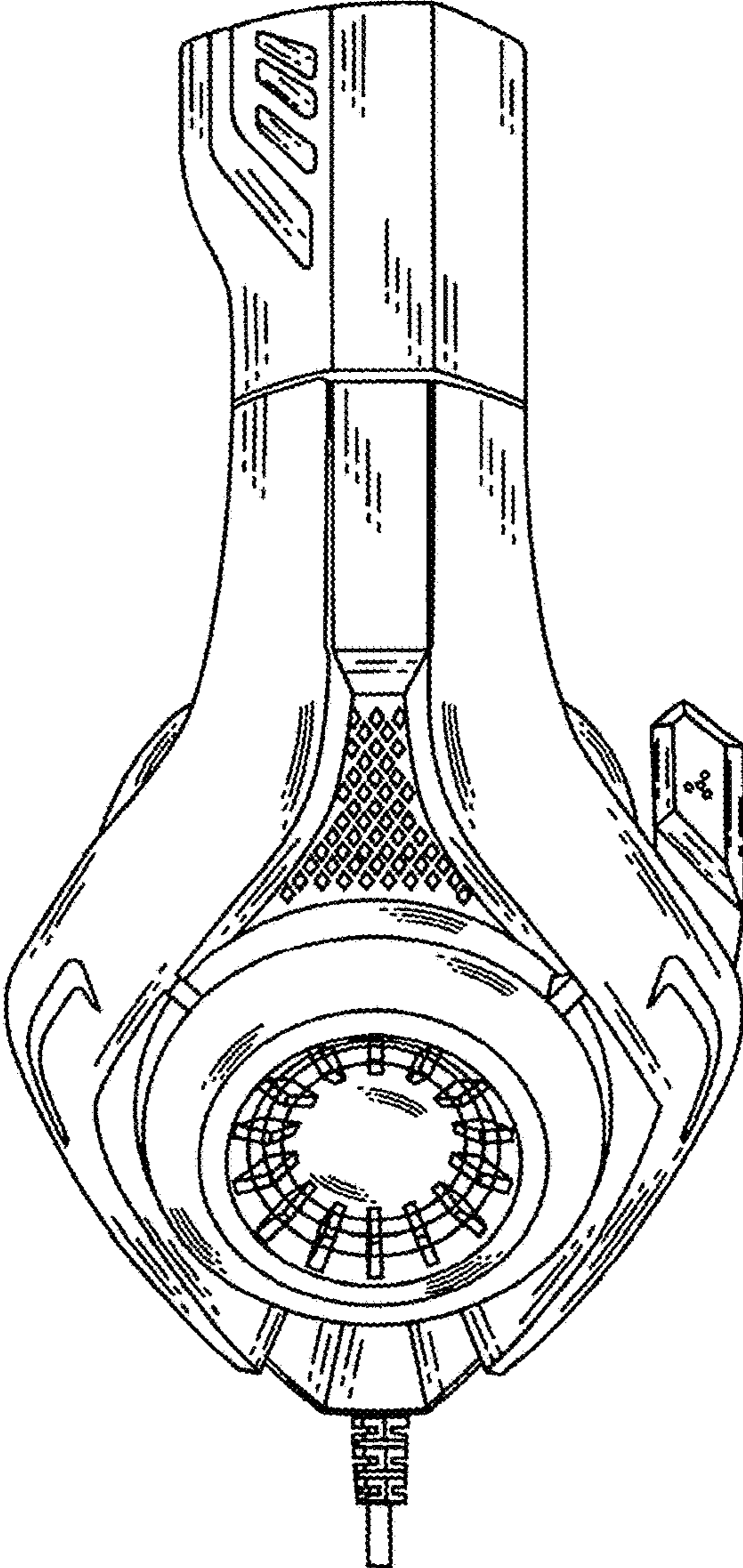


FIG. 5

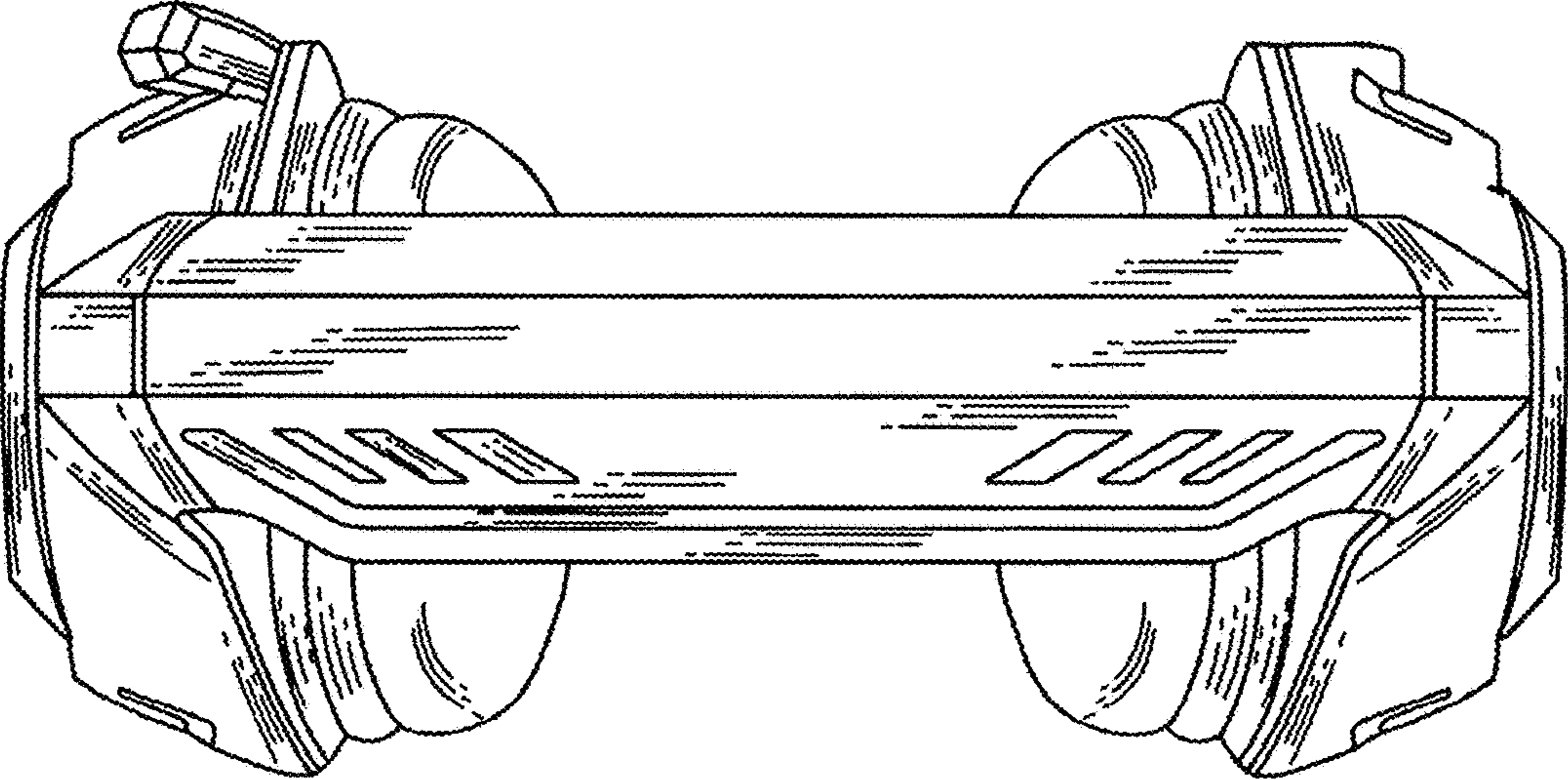


FIG. 6

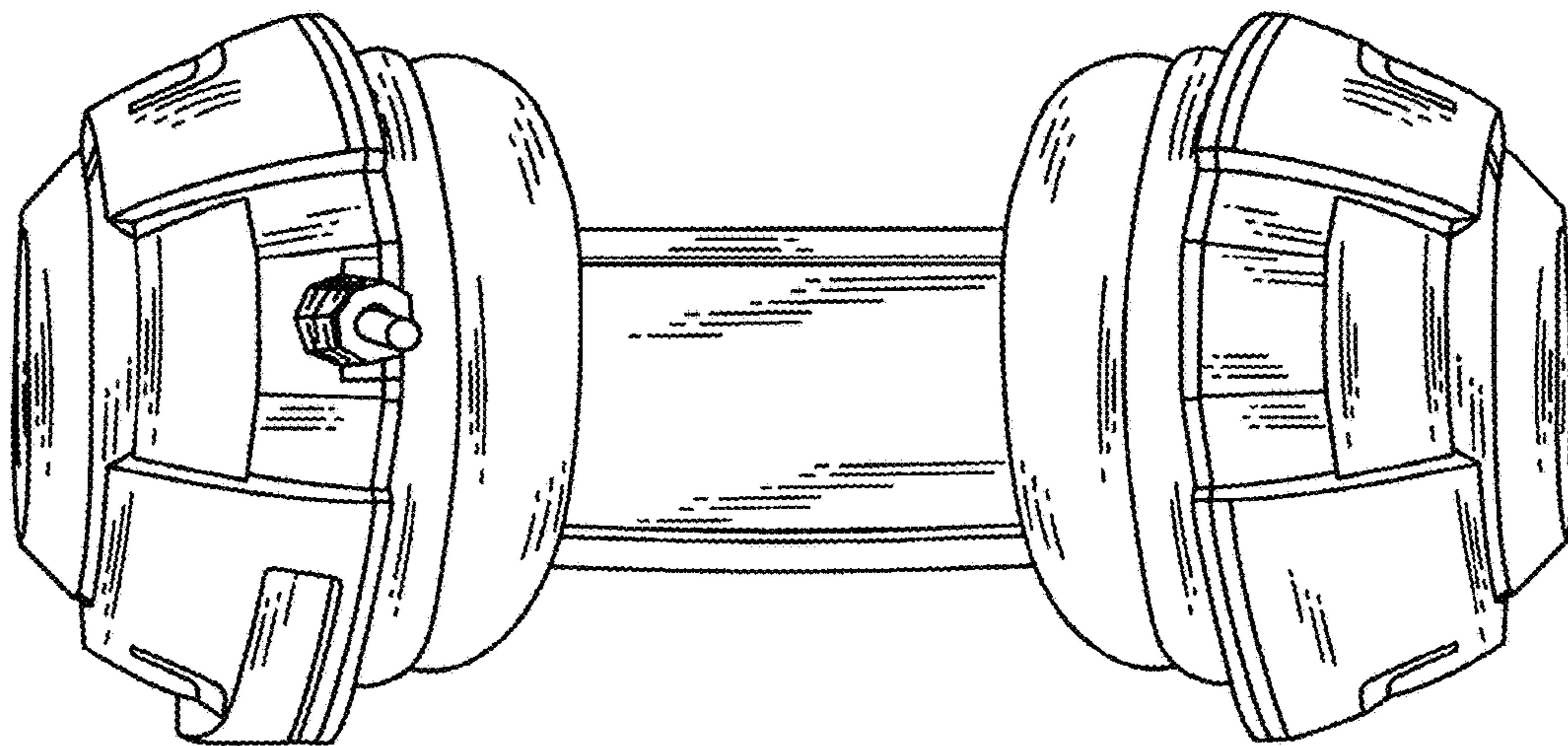


FIG. 7