



US00D851063S

(12) **United States Design Patent**
Deng

(10) **Patent No.:** **US D851,063 S**
(45) **Date of Patent:** **** Jun. 11, 2019**

- (54) **GAMING HEADSET**
- (71) Applicant: **Minghua Deng**, Jiangxi (CN)
- (72) Inventor: **Minghua Deng**, Jiangxi (CN)
- (**) Term: **15 Years**
- (21) Appl. No.: **29/612,544**
- (22) Filed: **Aug. 1, 2017**
- (51) **LOC (11) Cl.** **14-01**
- (52) **U.S. Cl.**
USPC **D14/206**; D14/226
- (58) **Field of Classification Search**
USPC D14/206, 205, 225, 226, 188, 192, 372;
D29/112; 2/209; 345/7, 8; 181/129,
181/130, 135; 379/430, 431; 381/380,
381/381, 370, 375, 374, 382, 183;
455/90.3, 575.1, 569.1
CPC H04R 1/1066; H04R 1/1016; H04R 25/00;
H04R 1/105; H04R 5/033; H04R 5/0335;
H04R 1/1091; H04R 1/1058
See application file for complete search history.

| | | | | | | |
|-----------|----|---|---------|----------|-------|------------------------|
| D404,035 | S | * | 1/1999 | Delazzer | | D14/205 |
| 5,960,094 | A | * | 9/1999 | Jensen | | H04M 1/05 381/374 |
| D447,472 | S | * | 9/2001 | McGugan | | D14/225 |
| 6,295,366 | B1 | * | 9/2001 | Haller | | H04R 5/0335 379/430 |
| D449,040 | S | * | 10/2001 | Weikel | | D14/227 |
| D457,155 | S | * | 5/2002 | Skulley | | D14/206 |
| D497,357 | S | * | 10/2004 | Allum | | D14/206 |
| D505,413 | S | * | 5/2005 | Skulley | | D14/223 |
| D508,483 | S | * | 8/2005 | Suzuki | | D14/205 |
| D514,087 | S | * | 1/2006 | Wilson | | D14/206 |
| D517,527 | S | * | 3/2006 | Suzuki | | D14/205 |
| D517,528 | S | * | 3/2006 | Skulley | | D14/206 |
| D518,479 | S | * | 4/2006 | Skulley | | D14/225 |
| D531,165 | S | * | 10/2006 | Rath | | D14/206 |
| D540,303 | S | * | 4/2007 | Rausch | | D14/205 |
| D549,688 | S | * | 8/2007 | Suzuki | | D14/205 |
| D589,492 | S | * | 3/2009 | Mistry | | D14/205 |

(Continued)

Primary Examiner — Paula Allen Greene

(57) **CLAIM**

The ornamental design for a gaming headset, as shown and described.

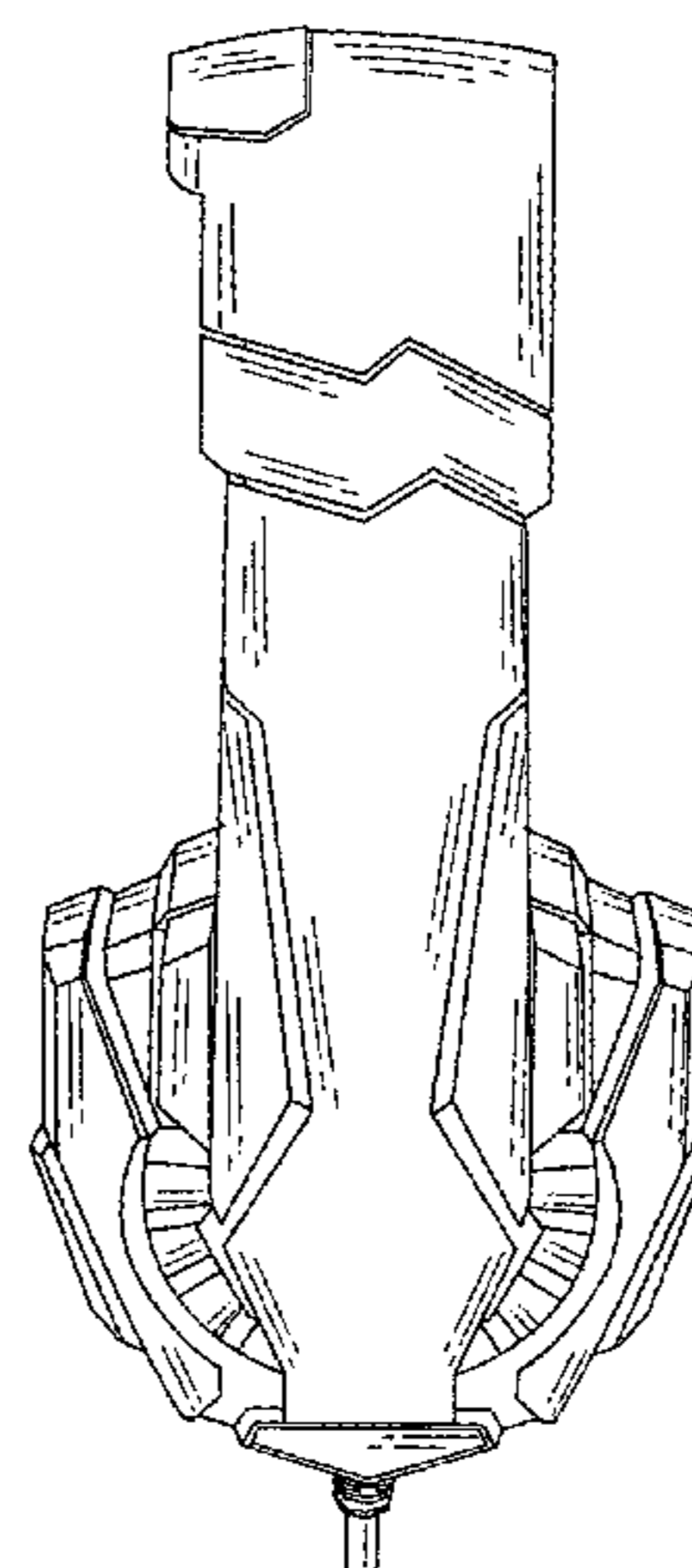
DESCRIPTION

FIG. 1 is a front elevational view of a gaming headset showing my new design;
 FIG. 2 is a rear elevational view thereof;
 FIG. 3 is a left side elevational view thereof;
 FIG. 4 is a right side elevational view thereof;
 FIG. 5 is a top plan view thereof; and,
 FIG. 6 is a bottom plan view thereof.
 The broken lines depict environment that forms no part of the claimed design.
 The appearance of any part of the article not shown in the drawing or described in the specification forms no part of the claimed design.

1 Claim, 6 Drawing Sheets

(56) **References Cited**
U.S. PATENT DOCUMENTS

| | | | | | | |
|-----------|---|---|---------|-----------|-------|------------------------|
| 3,488,457 | A | * | 1/1970 | Lahti | | H04R 1/1008 381/371 |
| D233,444 | S | * | 10/1974 | Christian | | D14/206 |
| D254,183 | S | * | 2/1980 | Doodson | | D14/205 |
| 4,754,484 | A | * | 6/1988 | Larkin | | H04M 1/05 379/419 |
| D299,337 | S | * | 1/1989 | Wiegel | | D14/206 |
| D302,429 | S | * | 7/1989 | Leer | | D14/137 |
| 5,708,725 | A | * | 1/1998 | Ito | | H04R 1/1041 381/370 |
| D395,894 | S | * | 7/1998 | Hem | | D14/227 |
| 5,793,878 | A | * | 8/1998 | Chang | | H04R 5/0335 381/370 |
| 5,841,858 | A | * | 11/1998 | Frierson | | H04M 1/0202 379/430 |



(56)

References Cited

U.S. PATENT DOCUMENTS

| | | | | |
|--------------|------|---------|-----------------|------------------------|
| D600,674 | S * | 9/2009 | Brennwald | D14/205 |
| D604,266 | S * | 11/2009 | Milde | D14/205 |
| D641,727 | S * | 7/2011 | Krauss | D14/206 |
| D662,490 | S * | 6/2012 | McSweyn | D14/205 |
| D666,993 | S * | 9/2012 | Kelley | D14/205 |
| D672,745 | S * | 12/2012 | Abed | D14/205 |
| D673,522 | S * | 1/2013 | Iijima | D14/205 |
| D690,284 | S * | 9/2013 | Brennwald | D14/205 |
| D723,508 | S * | 3/2015 | Garland | D14/205 |
| D724,561 | S * | 3/2015 | Ko | D14/205 |
| 9,036,849 | B2 * | 5/2015 | Thompson | H04R 1/083 381/122 |
| D741,286 | S * | 10/2015 | Brennwald | D14/205 |
| D745,859 | S * | 12/2015 | Kiuchi | D14/205 |
| D769,219 | S * | 10/2016 | Ohmachi | D14/205 |
| D788,071 | S * | 5/2017 | Logan | D14/205 |
| D808,359 | S * | 1/2018 | Meyer | D14/205 |
| D815,614 | S * | 4/2018 | Tzeng | D14/205 |
| D824,360 | S * | 7/2018 | Hsieh | D14/205 |
| 2010/0040252 | A1 * | 2/2010 | Thompson | H04R 1/083 381/375 |
| 2011/0194721 | A1 * | 8/2011 | Schmidt | H04R 1/1066 381/370 |

* cited by examiner



FIG. 1



FIG. 2

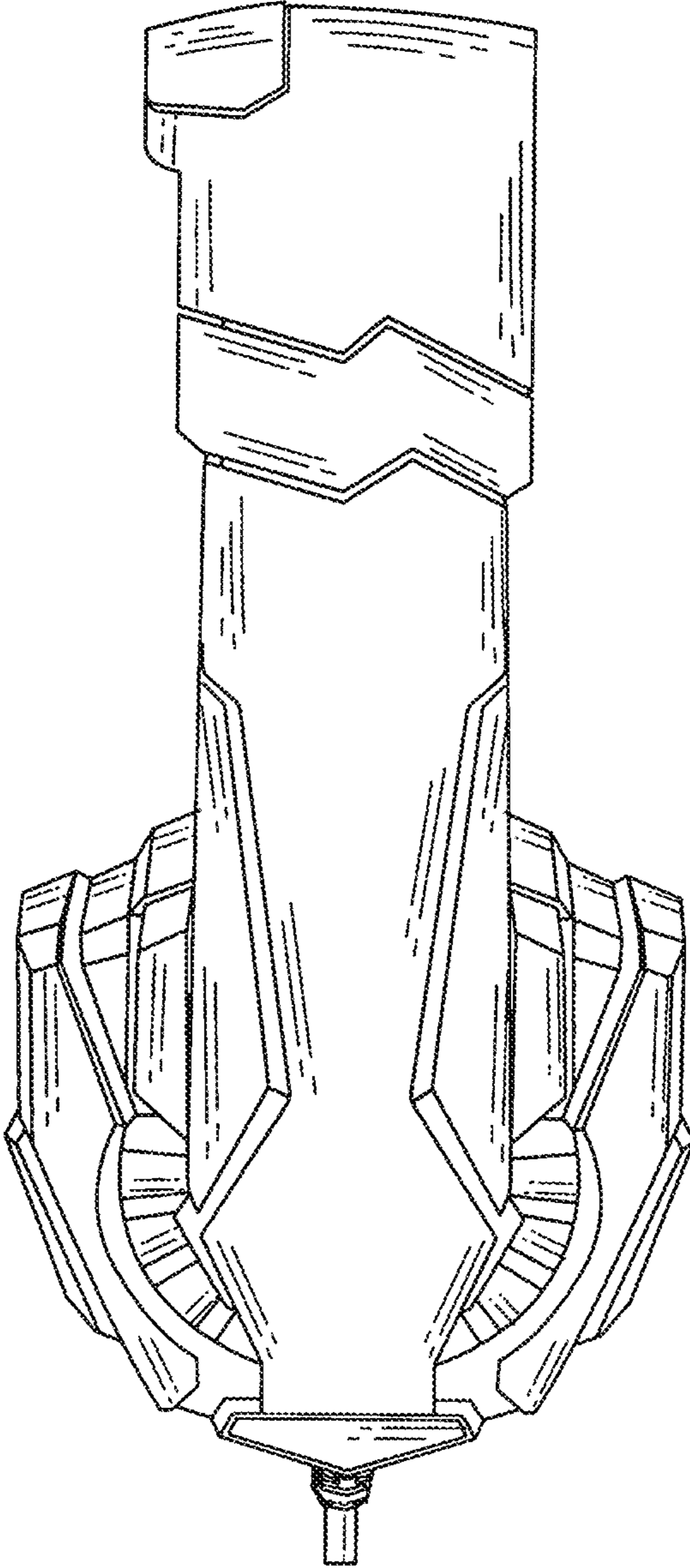


FIG. 3

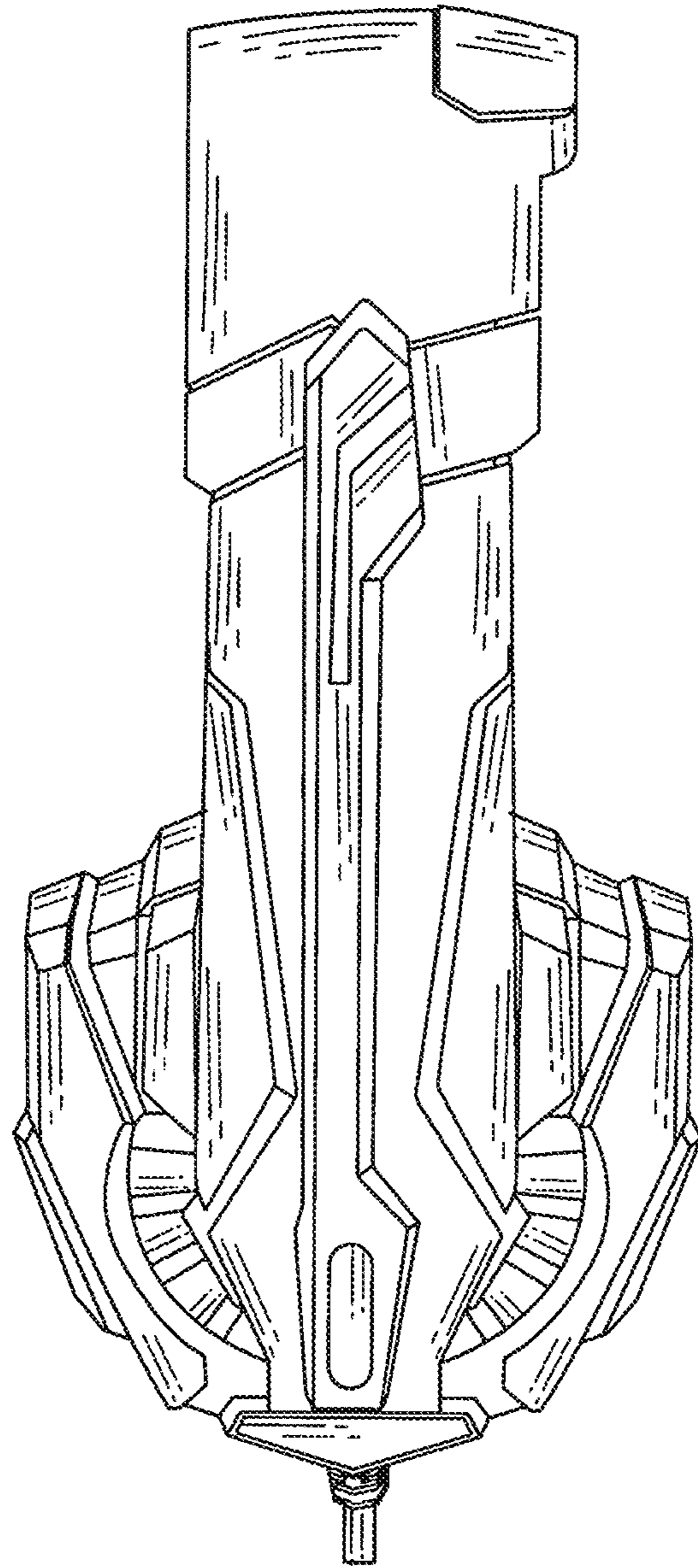


FIG. 4

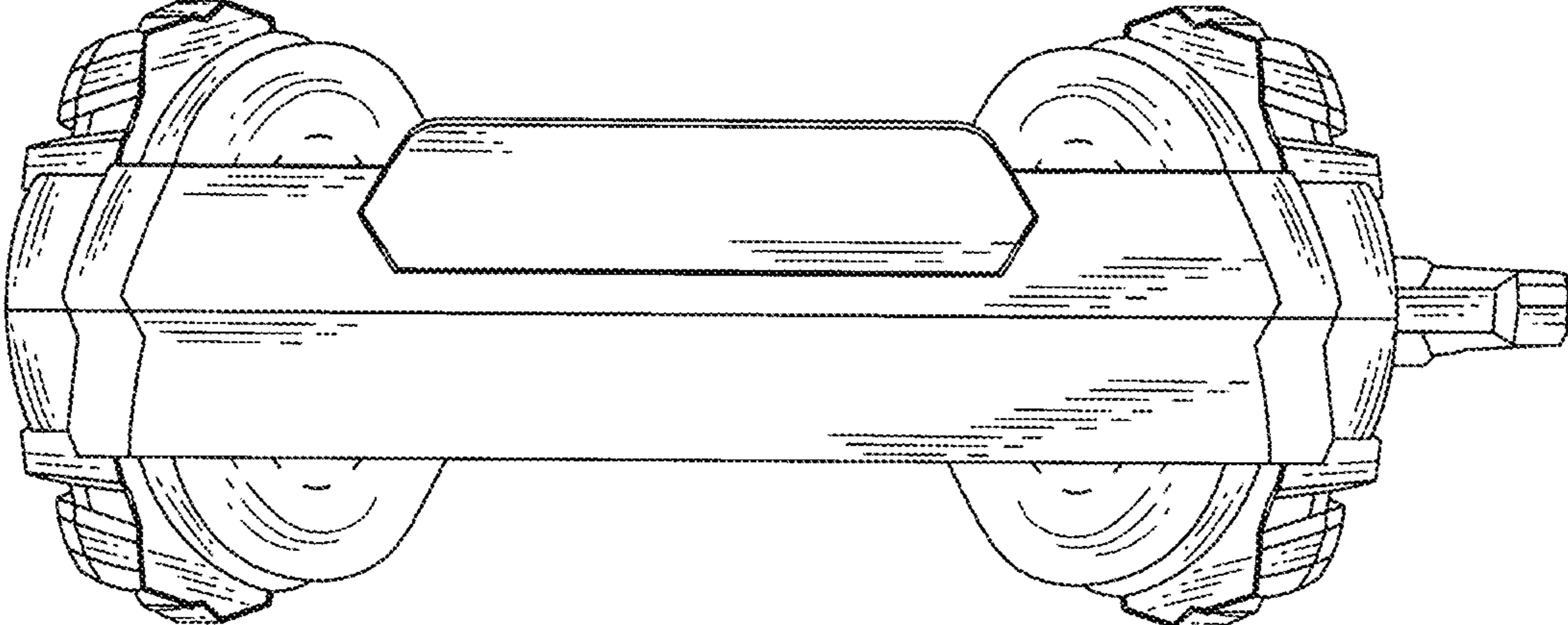


FIG. 5

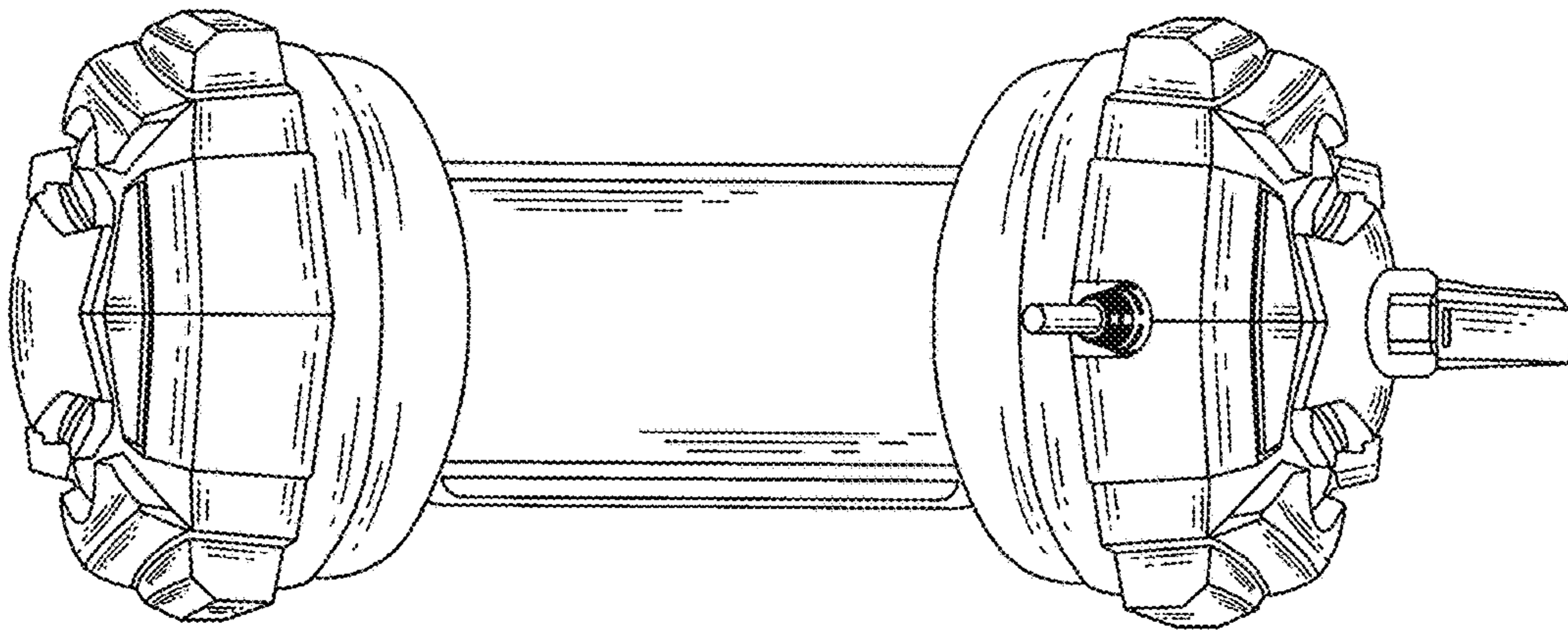


FIG. 6