



US00D851059S

(12) **United States Design Patent**
Ando et al.

(10) **Patent No.:** **US D851,059 S**
(45) **Date of Patent:** **** Jun. 11, 2019**

(54) **HEADPHONE**
(71) Applicant: **AUDIO-TECHNICA CORPORATION**, Tokyo (JP)
(72) Inventors: **Kozo Ando**, Kanagawa (JP); **Shohei Araki**, Kanagawa (JP)
(73) Assignee: **AUDIO-TECHNICA CORPORATION**, Tokyo (JP)
(**) Term: **15 Years**

3,483,718 A * 12/1969 Lodrini A44C 9/02
63/15.6
3,568,271 A * 3/1971 Saccoccio A44C 7/006
24/499
3,634,915 A * 1/1972 Alberts A44B 19/06
24/402
3,897,161 A * 7/1975 Reinwall, Jr. F16G 11/103
24/115 R
3,979,782 A * 9/1976 Lamb E04H 4/10
4/502
D253,094 S * 10/1979 Gudell D11/87
4,480,447 A * 11/1984 Lodrini A44C 9/02
63/15.6

(Continued)

(21) Appl. No.: **29/598,650**

Primary Examiner — Paula Allen Greene

(22) Filed: **Mar. 28, 2017**

(74) *Attorney, Agent, or Firm* — W & C IP

(30) **Foreign Application Priority Data**

(57) **CLAIM**

Sep. 28, 2016 (JP) 2016-020823

We claim the ornamental design for a headphone, as shown and described.

(51) **LOC (11) Cl.** **14-01**

(52) **U.S. Cl.**
USPC **D14/205**

DESCRIPTION

(58) **Field of Classification Search**
USPC D14/205, 223; D8/356, 383; D11/184, D11/87, 78.1; D24/128; 181/129, 130, 181/135; 379/430, 431; 381/380, 381; 455/90.3, 575.1, 569.1; 24/601.2, 16 PB
CPC H04R 25/00; H04R 1/10; H04R 1/1066; H04R 1/1016; H04R 5/033; H04R 5/0335; H04R 5/02

FIG. 1 is a front side perspective view of a headphone;
FIG. 2 is a front elevational view of the headphone;
FIG. 3 is a right side elevational view of the headphone;
FIG. 4 is an enlarged partial view of the headphone taken from FIG. 1;
FIG. 5 is an enlarged partial view of the headphone;
FIG. 6 is an enlarged partial view of the headphone taken from FIG. 2;
FIG. 7 is an enlarged partial view of the headphone taken from FIG. 3;
FIG. 8 is an enlarged partial end view of the headphone taken along line 8-8 of FIG. 7; and,
FIG. 9 is a reference enlarged partial end view of the headphone taken along line 8-8 of FIG. 7, wherein an earphone cord is omitted.
Portions of the drawings shown in broken lines form no part of the claimed design.

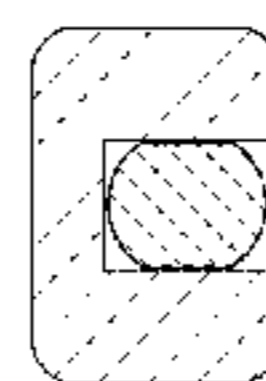
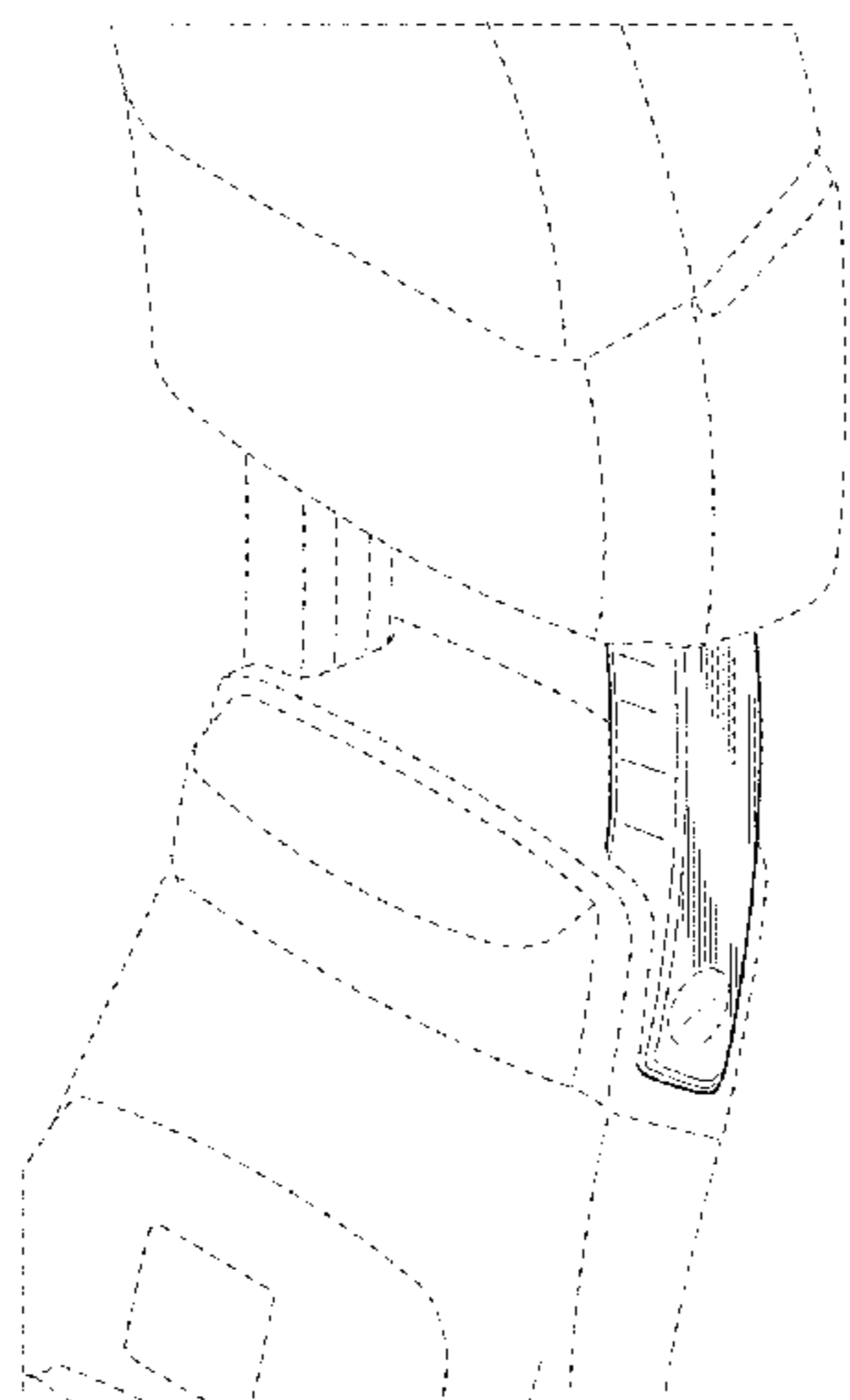
See application file for complete search history.

(56) **References Cited**

U.S. PATENT DOCUMENTS

268,407 A * 12/1882 Hughes 606/203
1,894,605 A * 1/1933 Wright A63H 33/04
446/122
D165,080 S * 11/1951 Lenneberg D11/87
D178,743 S * 9/1956 Walley 63/15.2
3,483,717 A * 12/1969 Mayer A44C 9/02
63/15.2

1 Claim, 9 Drawing Sheets



(56)

References Cited

U.S. PATENT DOCUMENTS

D278,805 S * 5/1985 Bulgari D11/40
 4,571,746 A * 2/1986 Gorike H04R 5/0335
 2/209
 4,747,145 A * 5/1988 Wiegel H04M 1/05
 381/378
 4,888,805 A * 12/1989 Karppala, Jr. H04R 1/1066
 381/309
 4,910,362 A * 3/1990 Kinner D06F 75/28
 174/135
 5,033,094 A * 7/1991 Hung H04M 1/05
 381/379
 D319,174 S * 8/1991 Flanigan D8/383
 5,640,453 A * 6/1997 Schuchman H04N 5/765
 348/E7.072
 D397,270 S * 8/1998 Maalouf 5/636
 5,809,159 A * 9/1998 Lee H04M 1/05
 381/174
 D436,518 S * 1/2001 Matsubara D8/356

D490,692 S * 6/2004 Williams D8/356
 7,348,490 B2 * 3/2008 Sakai H01B 7/40
 174/113 R
 D592,303 S * 5/2009 Chesnin D24/128
 D633,895 S * 3/2011 Morimoto D14/205
 D653,163 S * 1/2012 Dunn D11/184
 D658,094 S * 4/2012 Dunn D11/184
 8,270,655 B2 * 9/2012 Ito H04R 1/1066
 381/309
 D669,392 S * 10/2012 Dunn D11/184
 D676,833 S * 2/2013 Garcia D14/223
 8,638,965 B2 * 1/2014 Higgins H01R 13/22
 381/330
 8,774,442 B2 * 7/2014 Huang H04R 1/1066
 381/367
 D763,068 S * 8/2016 Symons D8/383
 D805,056 S * 12/2017 Levine D14/205
 2011/0188693 A1 * 8/2011 Kim H04R 5/0335
 381/334
 2012/0260543 A1 * 10/2012 Dunn G09F 3/0295
 40/316

* cited by examiner

FIG. 1

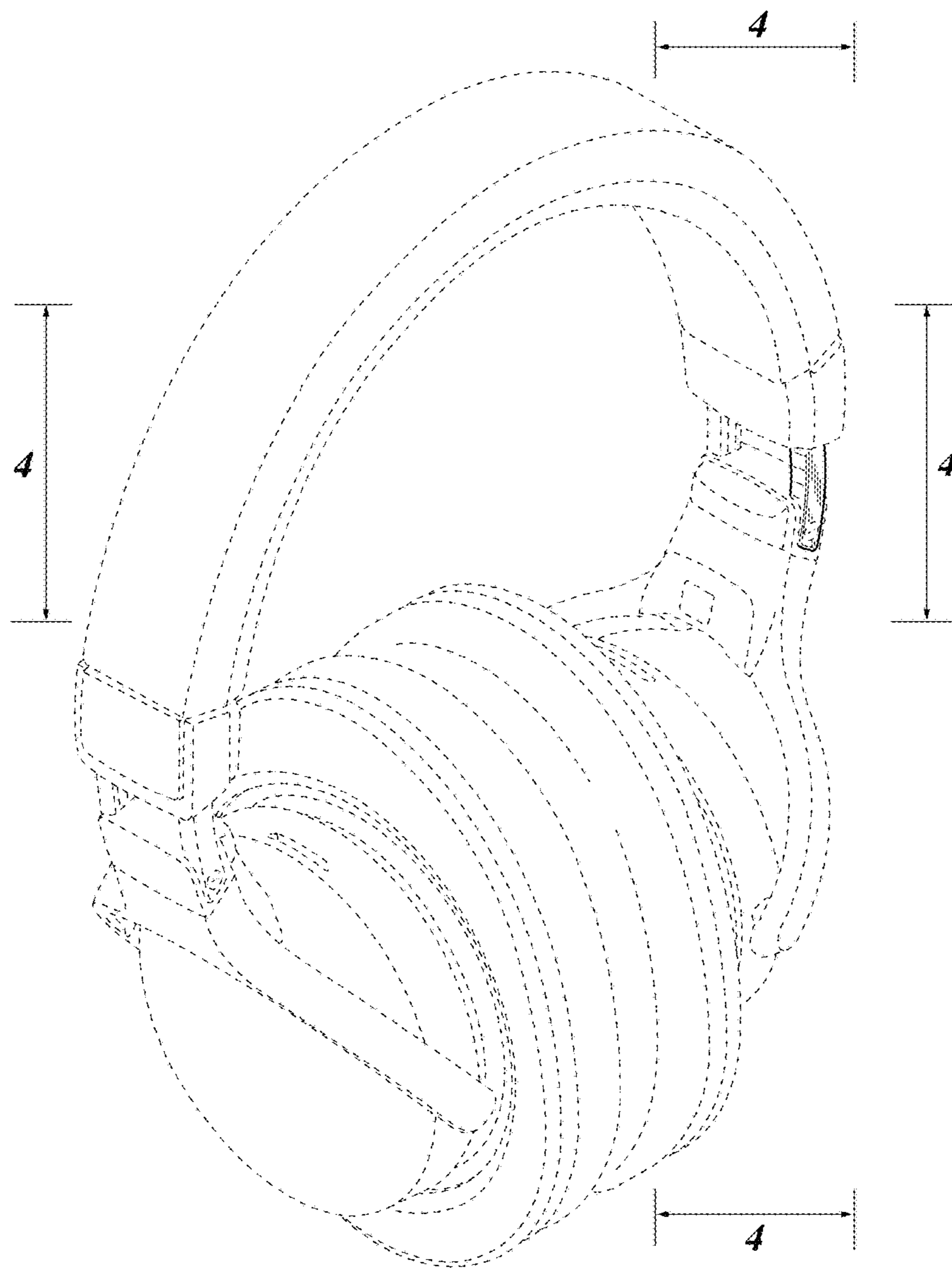


FIG. 2

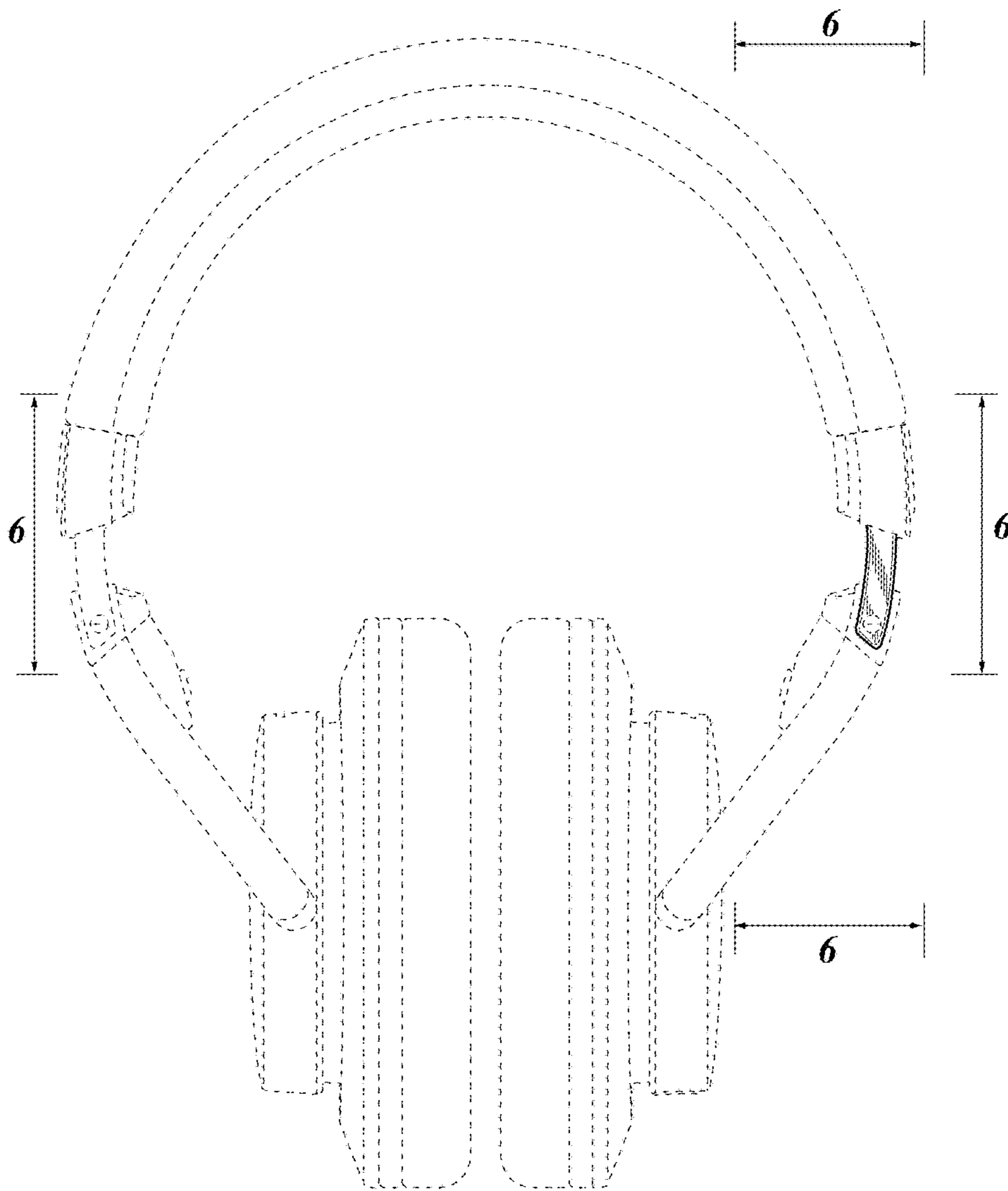


FIG. 3

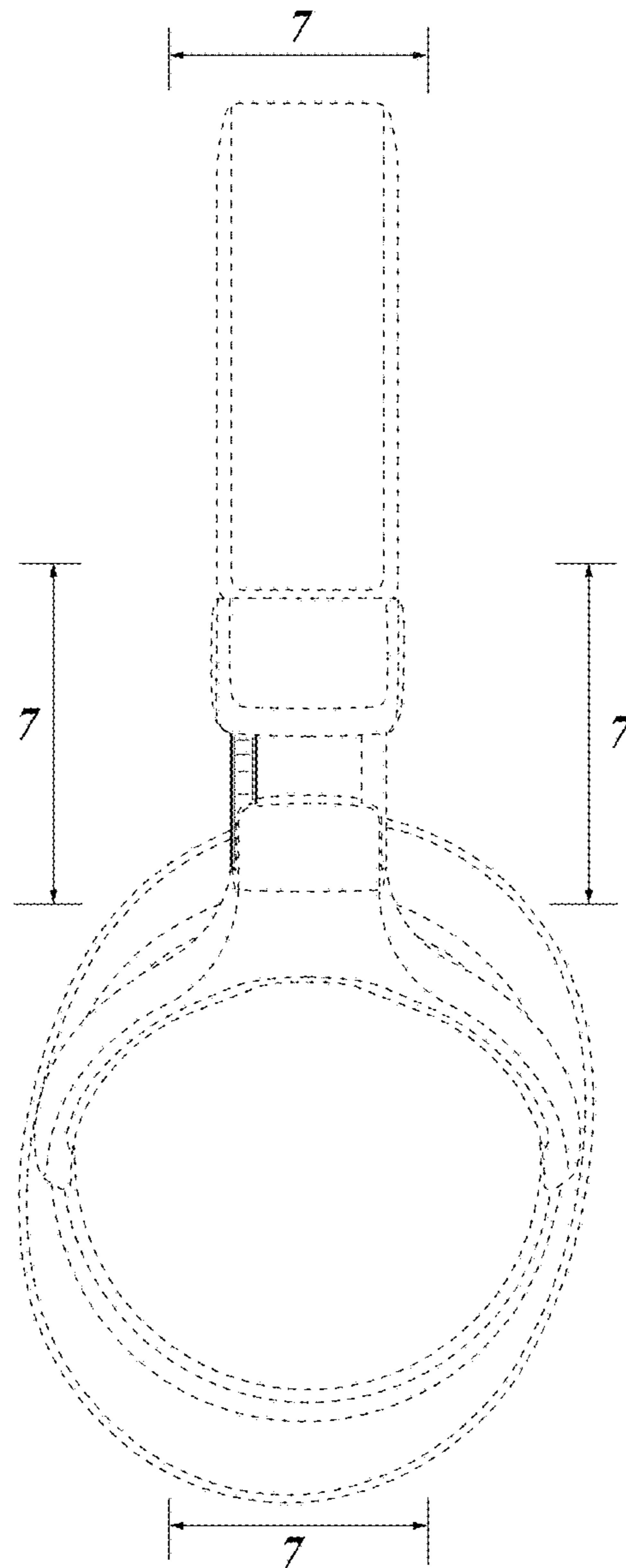


FIG. 4

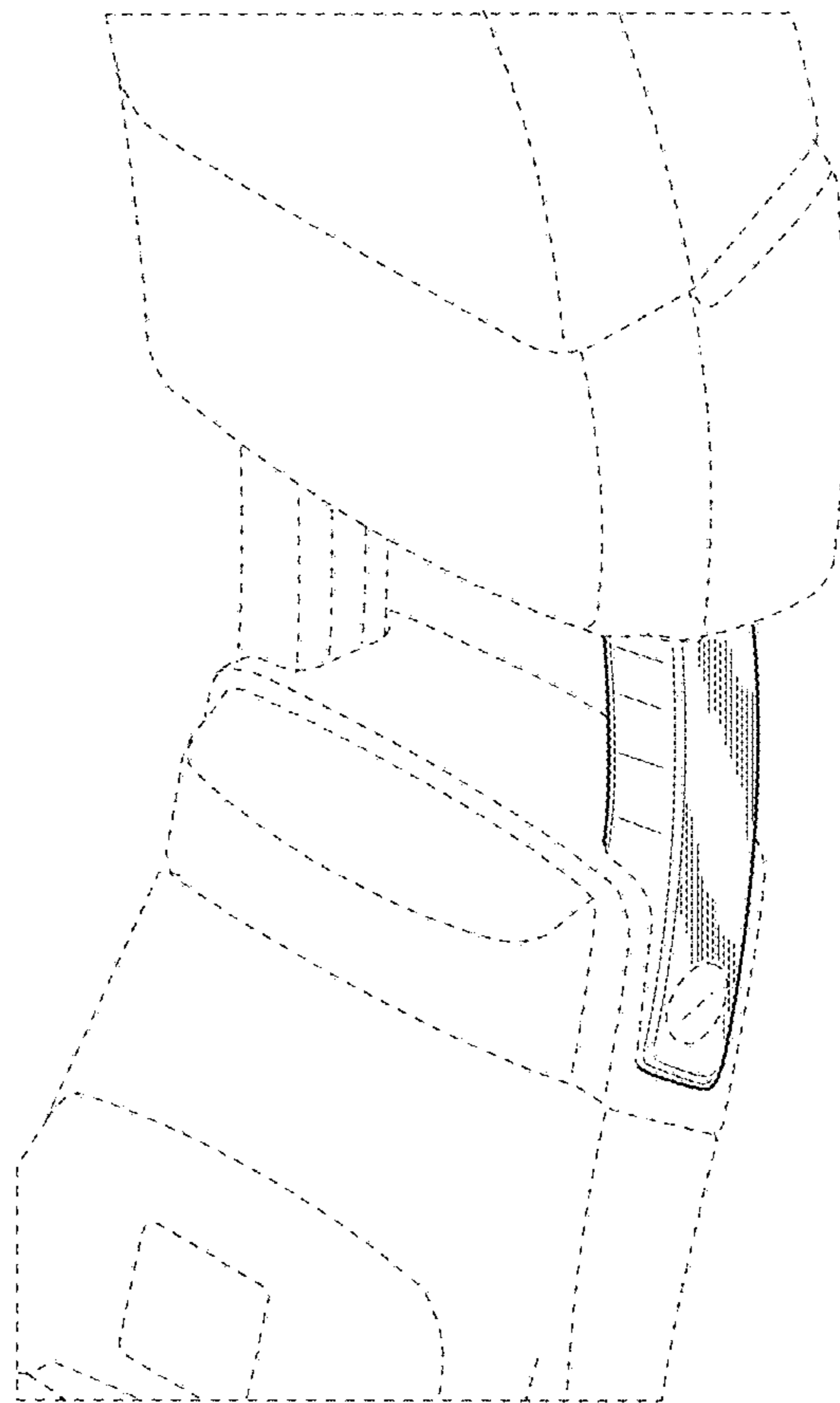


FIG. 5

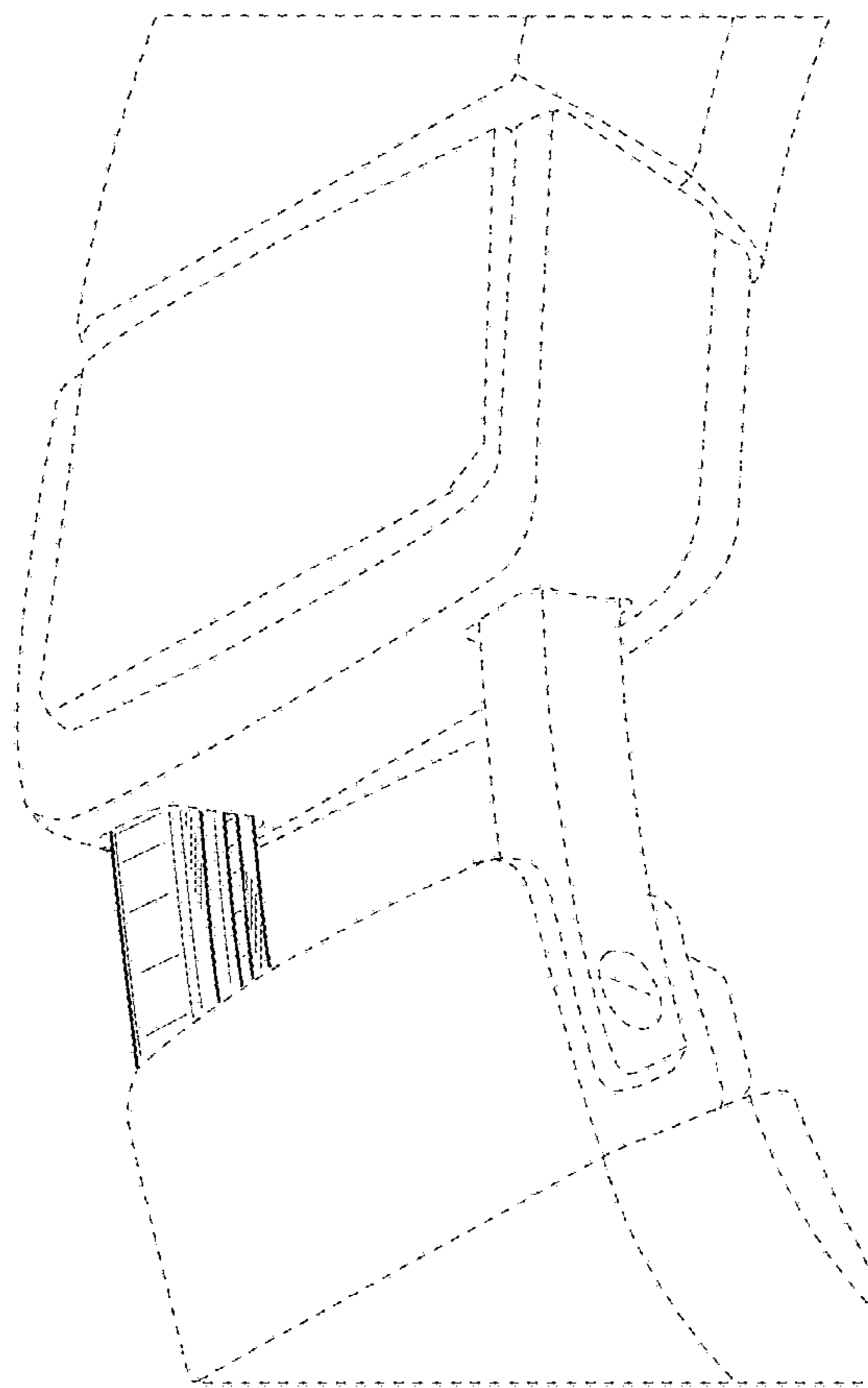


FIG. 6

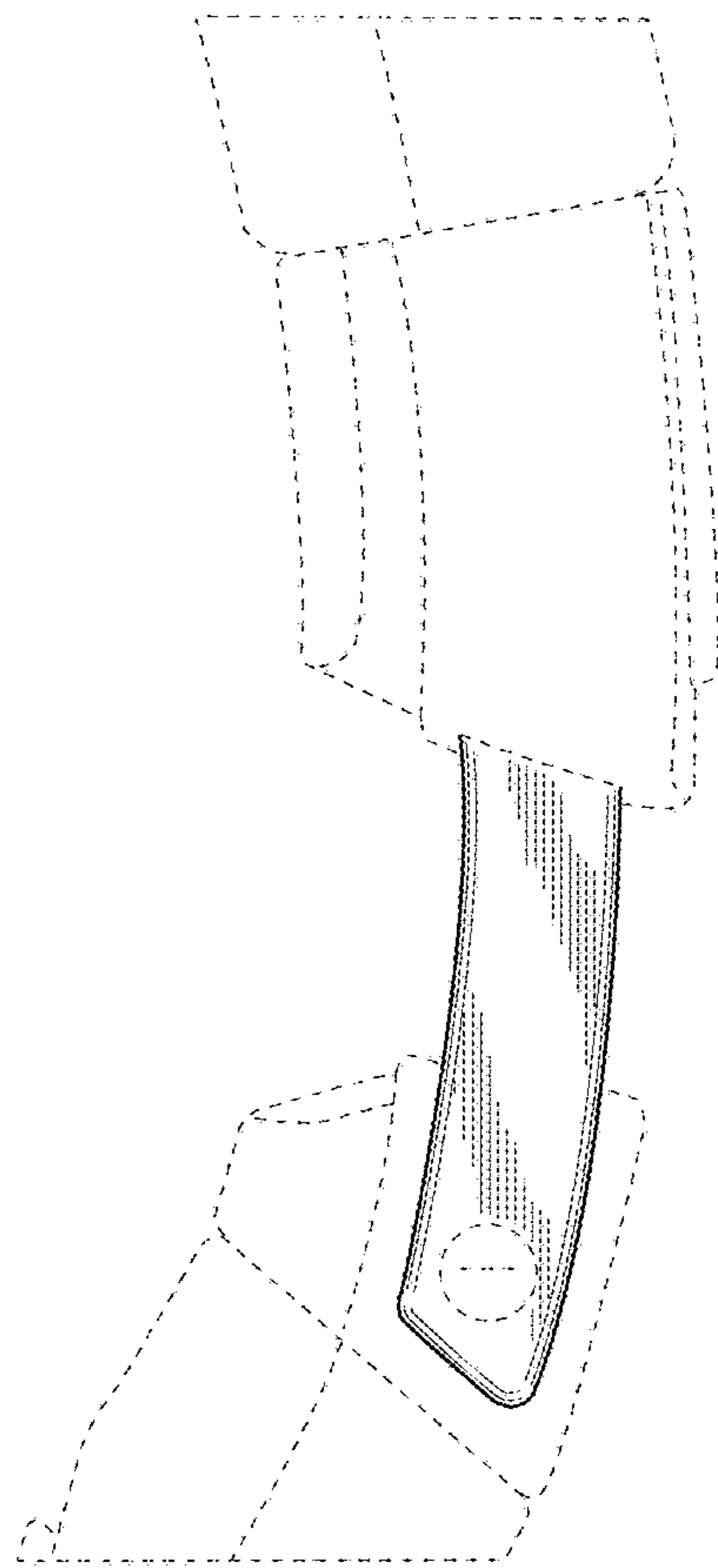


FIG. 7

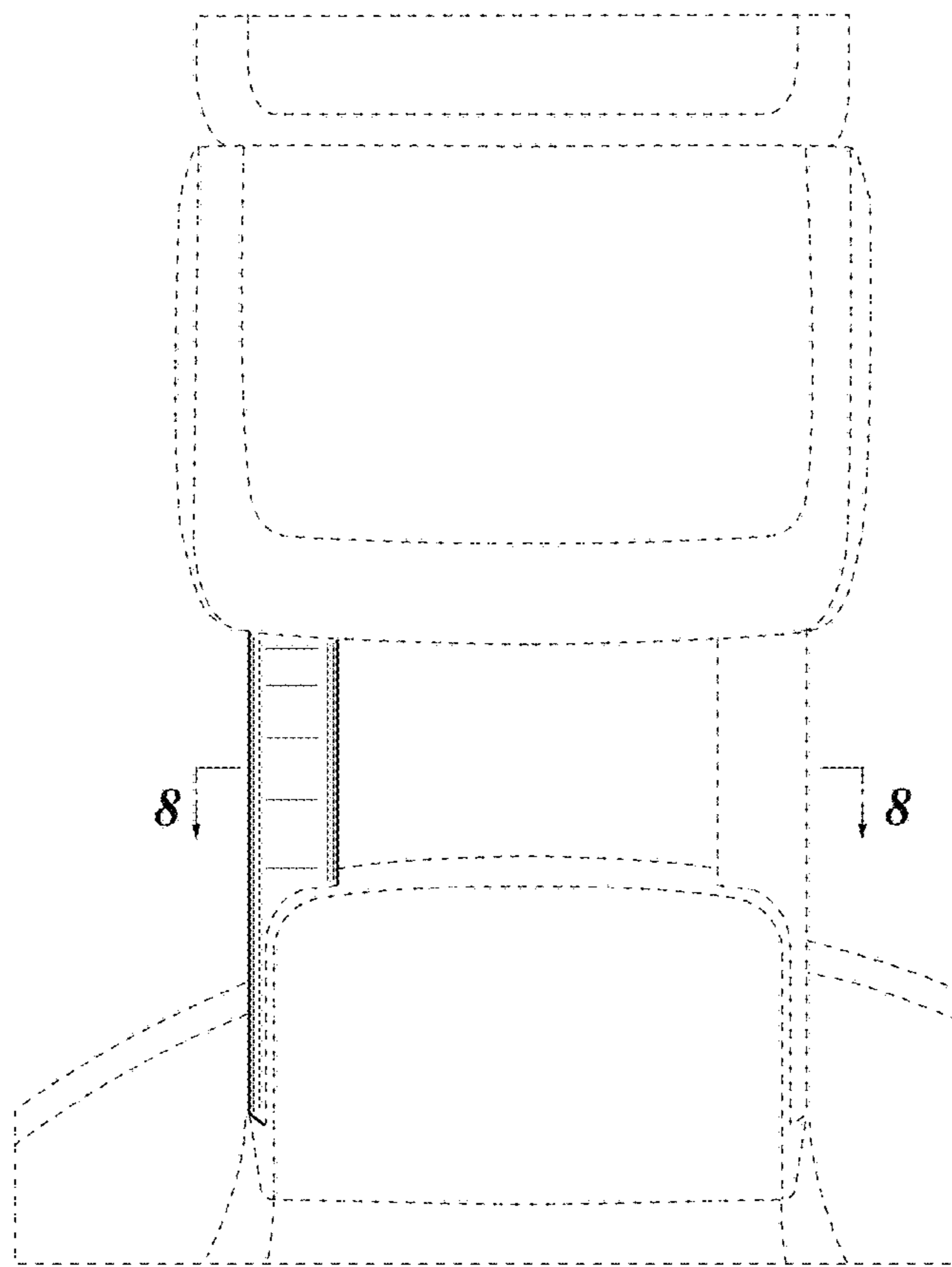


FIG. 8

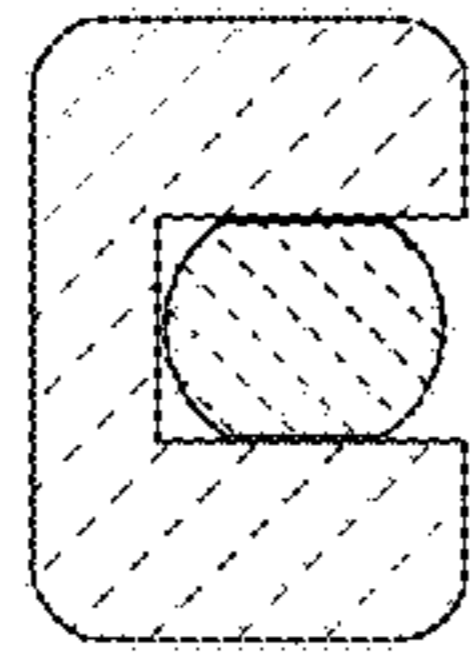


FIG. 9

