



US00D851058S

(12) **United States Design Patent** (10) **Patent No.:** **US D851,058 S**  
**Pupecki et al.** (45) **Date of Patent:** **\*\* Jun. 11, 2019**

(54) **LOUDSPEAKER** D542,784 S \* 5/2007 Franck ..... D14/240  
D594,002 S \* 6/2009 Kettula ..... D14/240  
(71) Applicant: **Bose Corporation**, Framingham, MA D641,007 S \* 7/2011 Skurdal ..... D14/214  
(US) D675,190 S \* 1/2013 Nylen ..... D14/215

(72) Inventors: **Jay Pupecki**, Worcester, MA (US);  
**Mitchell Joseph Silva**, Groton, MA  
(US)

FOREIGN PATENT DOCUMENTS

TW D162724 9/2014

(73) Assignee: **Bose Corporation**, Framingham, MA  
(US)

OTHER PUBLICATIONS

Taiwanese Notice of Allowance and Search Report dated Sep. 3, 2018 for Taiwanese Design Patent Application No. 107301658.  
Taiwanese Notice of Allowance and Search Report dated Sep. 3, 2018 for Taiwanese Design Patent Application No. 107301659.

(\*\*) Term: **15 Years**

\* cited by examiner

(21) Appl. No.: **29/618,965**

(22) Filed: **Sep. 26, 2017**

*Primary Examiner* — Derrick E Holland

(51) **LOC (11) Cl.** ..... **14-01**

*Assistant Examiner* — Janice Patyk

(52) **U.S. Cl.**

USPC ..... **D14/204**

(58) **Field of Classification Search**

(57) **CLAIM**

USPC ..... D14/167, 168, 170–172, 188, 204, 210,  
D14/214; 181/143, 144, 148, 153, 157,  
181/198, 199; 369/6–12; 381/300–303,  
381/361–364, 366, 386–388

The ornamental design for a loudspeaker, substantially as shown and described.

CPC ..... H04R 1/02; H04R 1/021; H04R 1/025;  
H04R 1/026; H04R 1/028; H04R 1/403;  
H04R 1/2803; H04R 1/2834; H04R 5/02;  
H04R 9/06; H04R 19/013; H04R  
2400/00; G06F 1/1688

**DESCRIPTION**

See application file for complete search history.

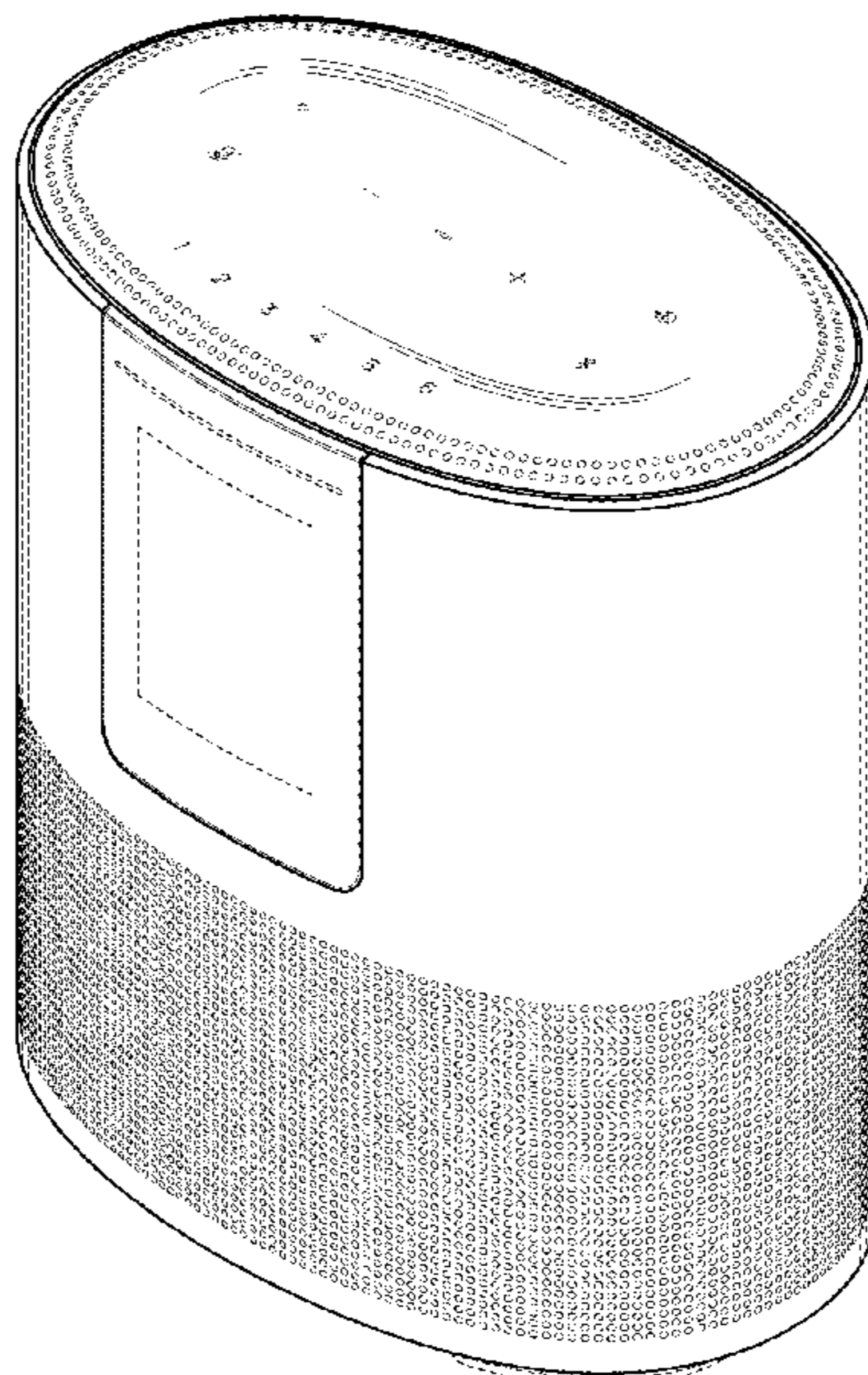
FIG. 1 is a top, front, side perspective view of a loudspeaker showing the claimed design;  
FIG. 2 is a front view thereof;  
FIG. 3 is a back view thereof;  
FIG. 4 is a top view thereof;  
FIG. 5 is a bottom view thereof;  
FIG. 6 is a side view thereof; and,  
FIG. 7 is an opposite side view thereof.  
The broken lines in the figures illustrate the portions of the design that form no part of the claimed design.

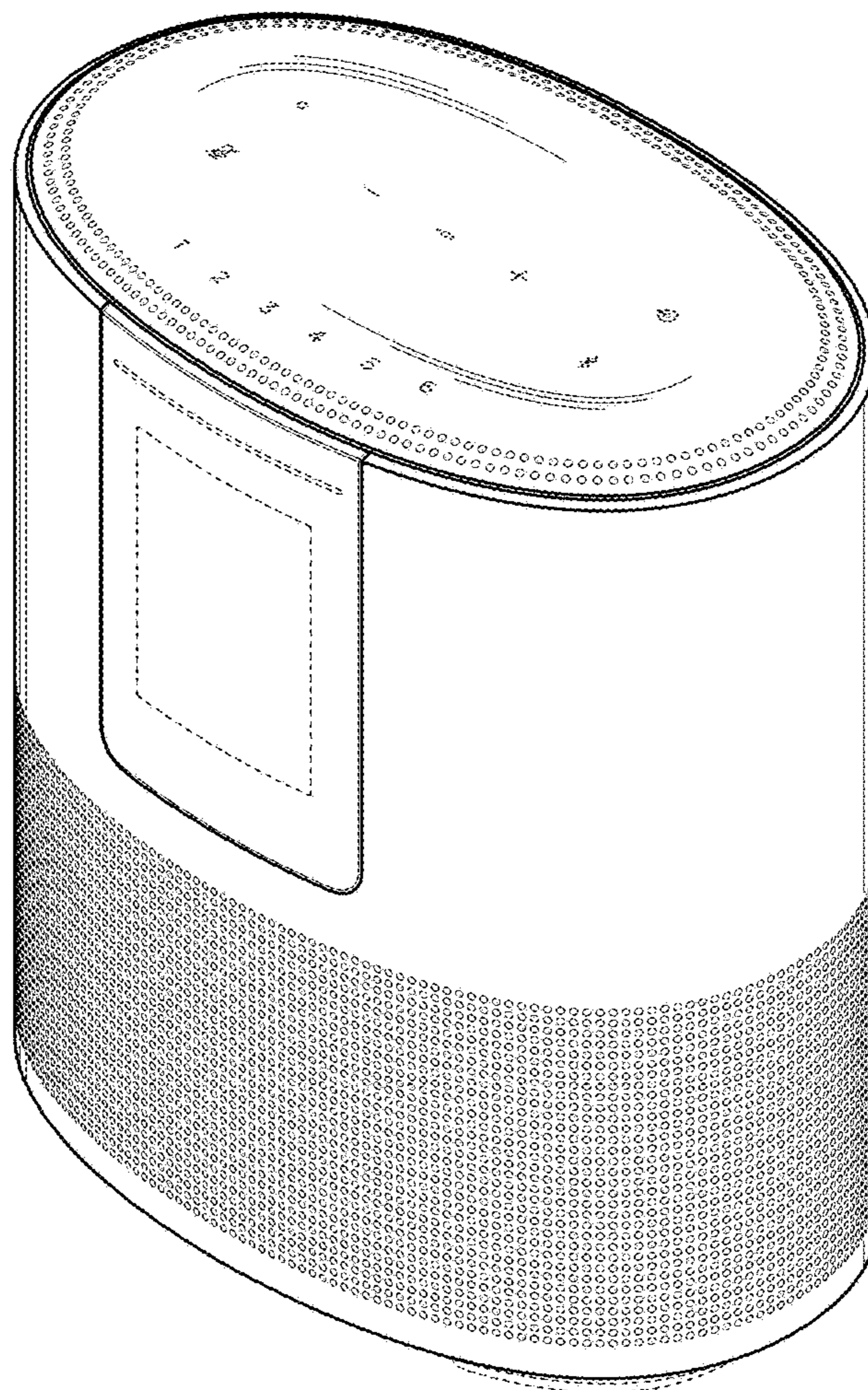
(56) **References Cited**

U.S. PATENT DOCUMENTS

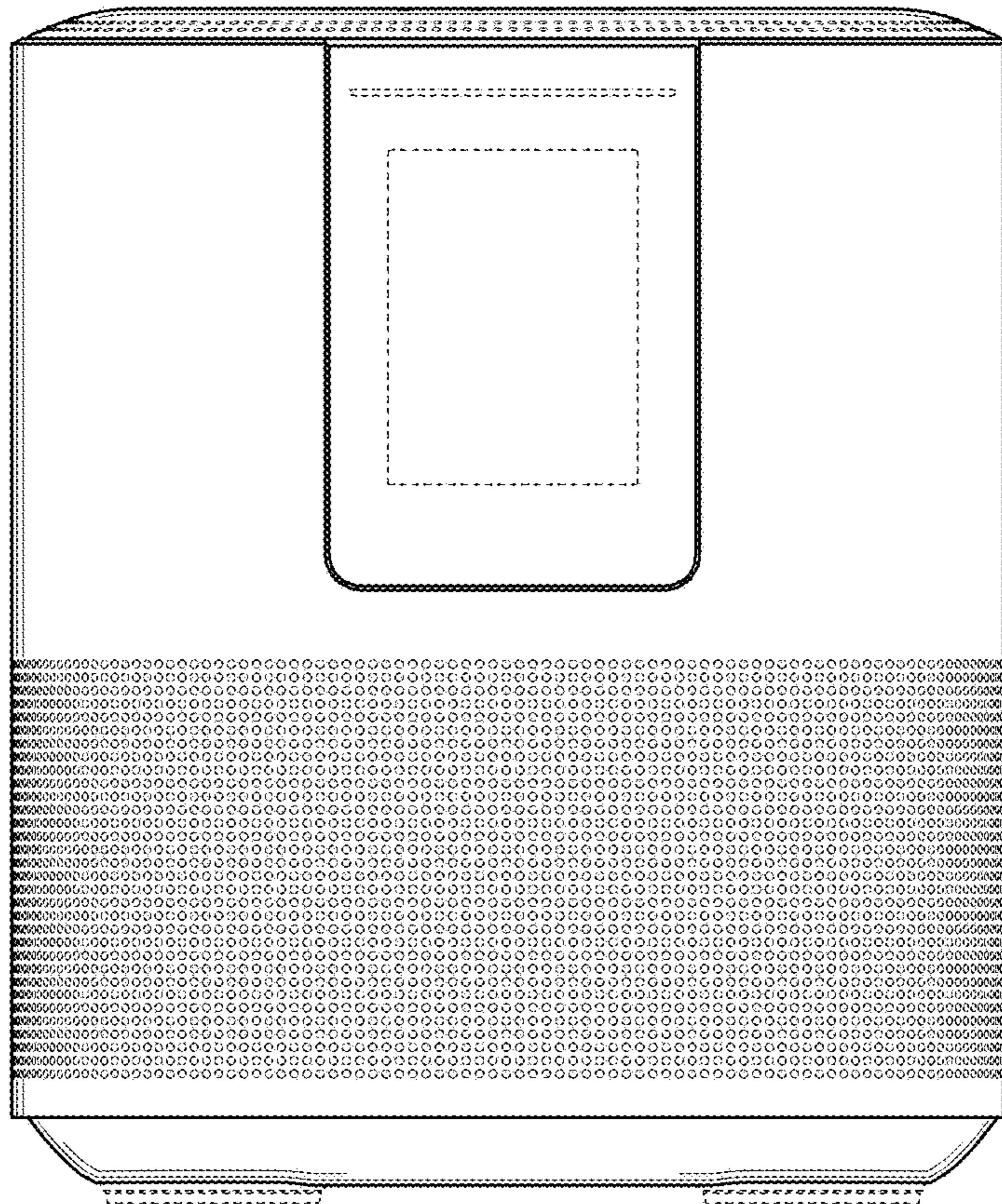
D394,064 S \* 5/1998 Freadman ..... D14/214  
D454,110 S \* 3/2002 Andre ..... D13/110  
D491,166 S \* 6/2004 Hakoda ..... D14/214  
D509,825 S \* 9/2005 Chen ..... D14/300

**1 Claim, 7 Drawing Sheets**

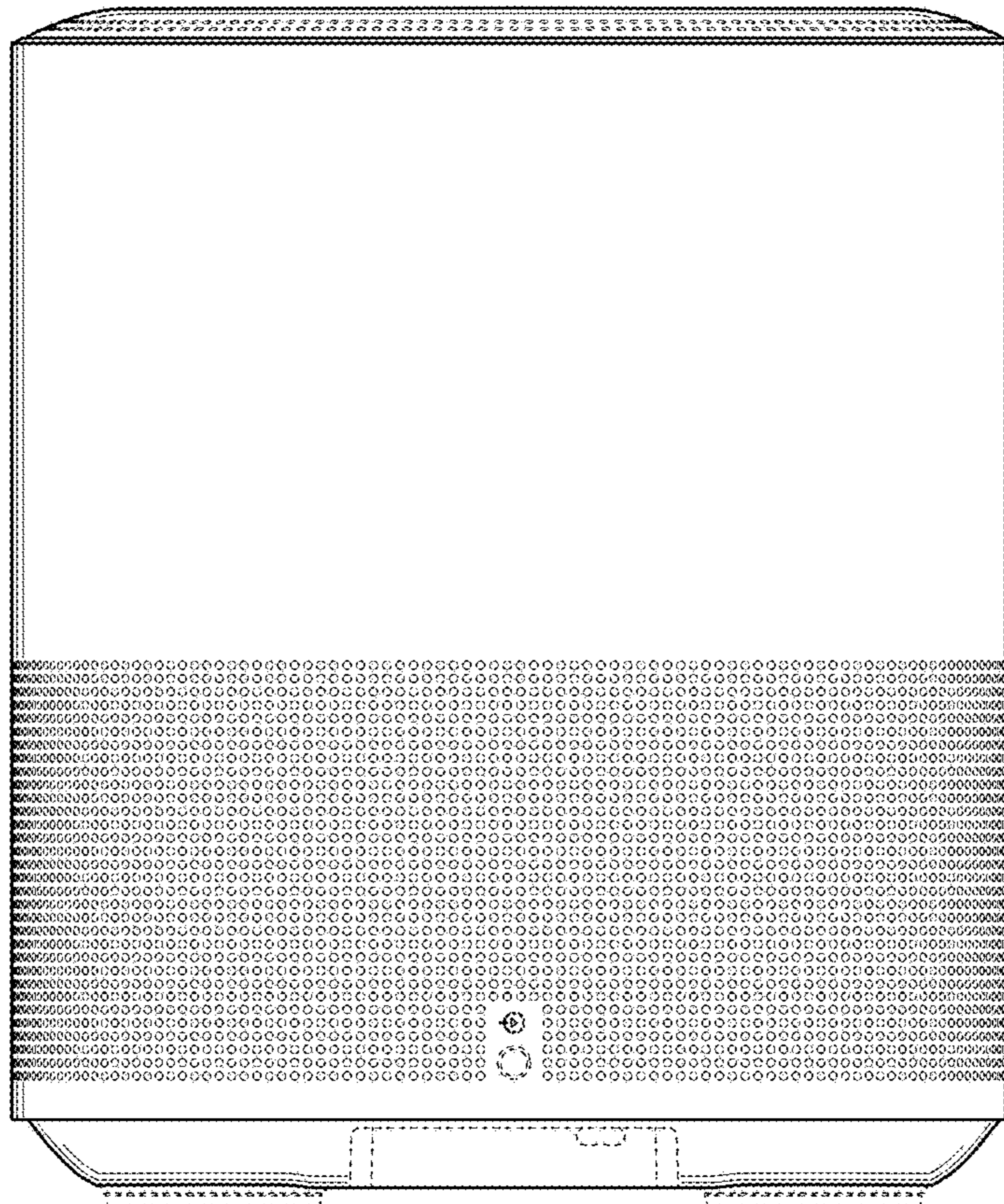




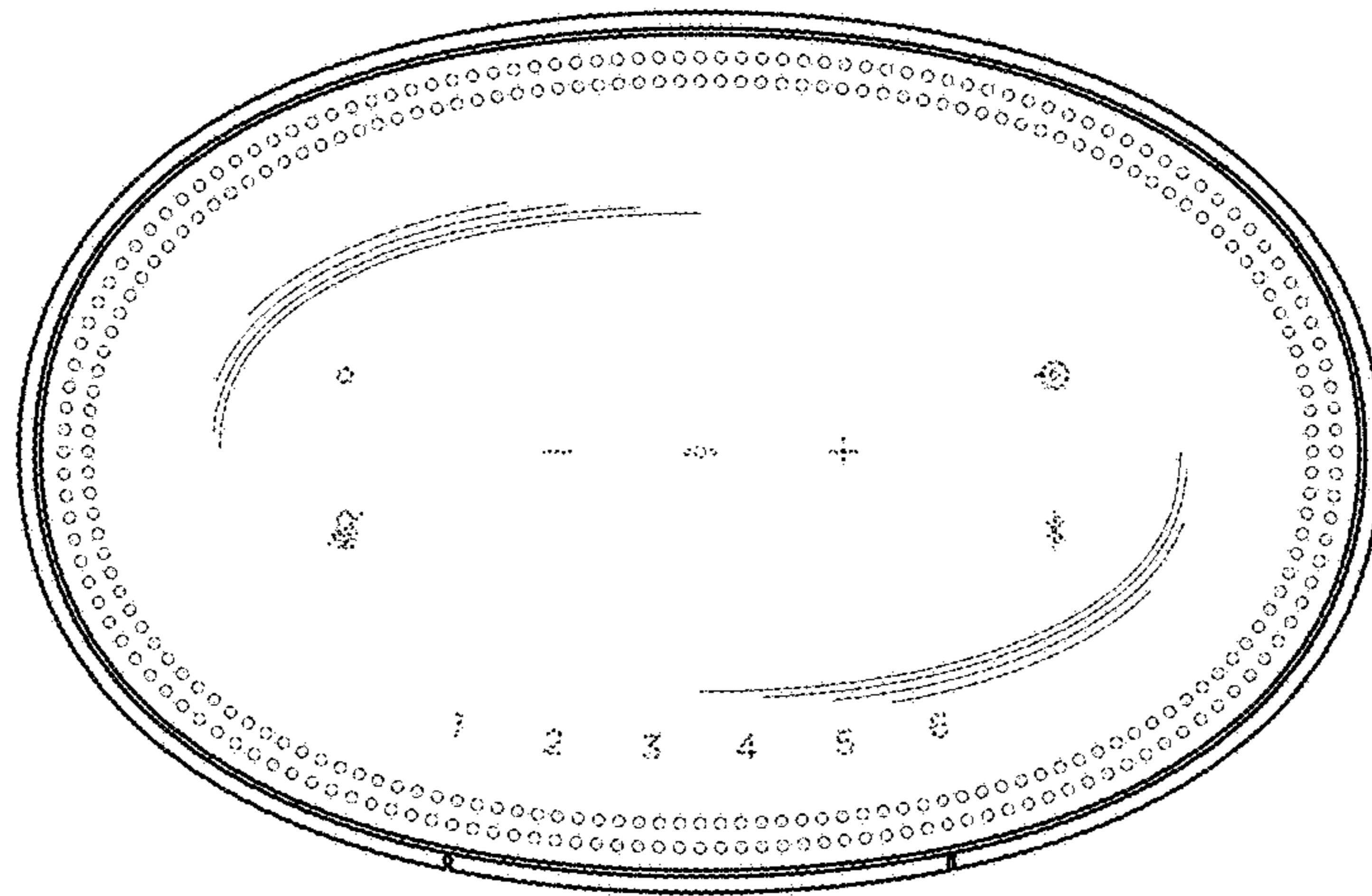
**FIG. 1**



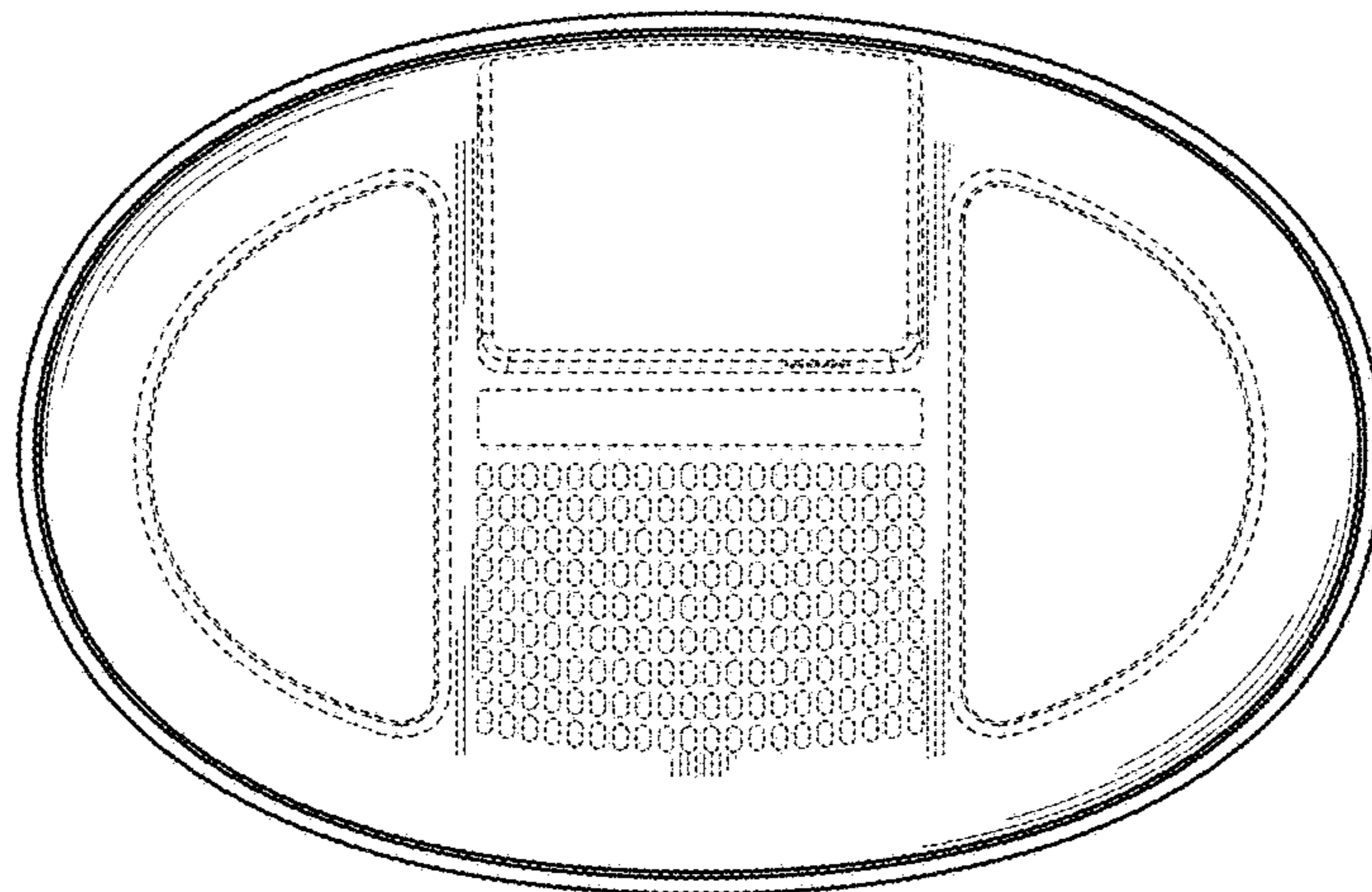
**FIG. 2**



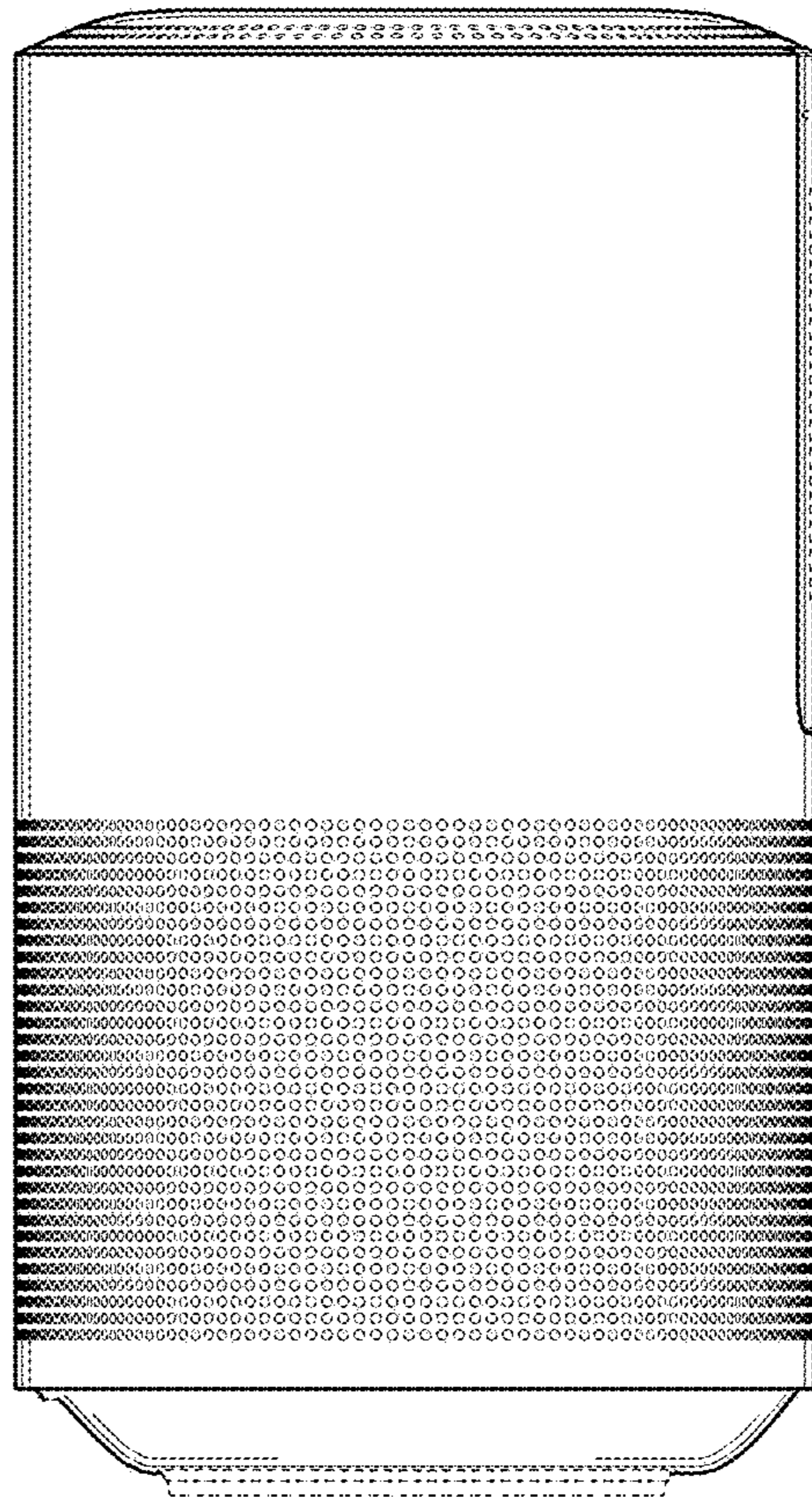
**FIG. 3**



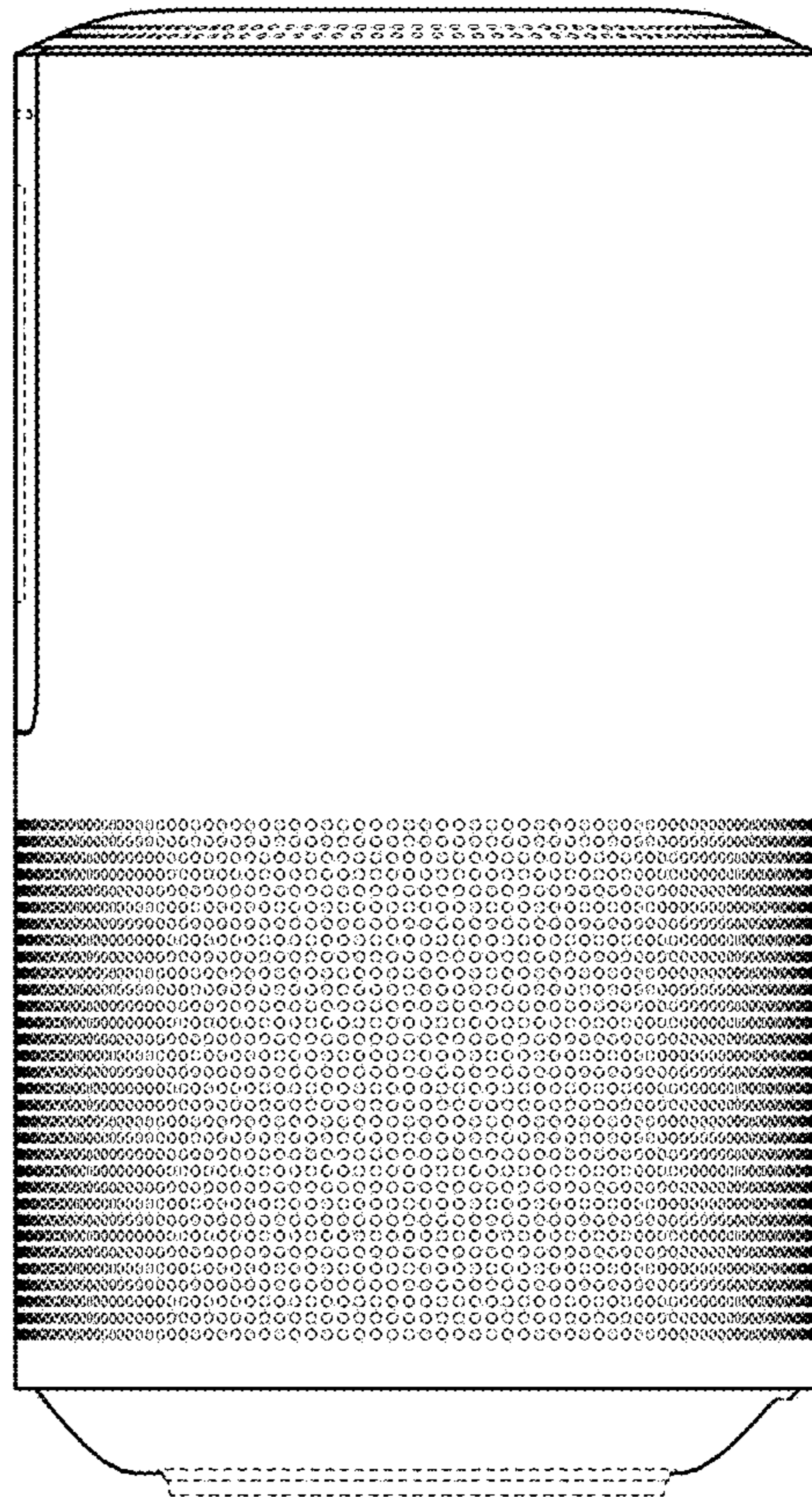
**FIG. 4**



**FIG. 5**



**FIG. 6**



**FIG. 7**