



US00D851056S

(12) **United States Design Patent**
Zeng

(10) **Patent No.:** **US D851,056 S**

(45) **Date of Patent:** **** Jun. 11, 2019**

(54) **PORTABLE FM RADIO AND WIRELESS SPEAKER**

(71) Applicant: **Shenzhen Airmart Technology Co., Ltd.**, Shenzhen, Guangdong (CN)

(72) Inventor: **Dejun Zeng**, Guangdong (CN)

(73) Assignee: **Shenzhen Airmart Technology Co., Ltd.**, Shenzhen (CN)

(**) Term: **15 Years**

(21) Appl. No.: **29/608,290**

(22) Filed: **Jun. 20, 2017**

(51) **LOC (11) Cl.** **14-03**

(52) **U.S. Cl.**
USPC **D14/188**

(58) **Field of Classification Search**
USPC D14/167, 168, 170–172, 188, 194–196, D14/204, 209.1, 210–216, 219, 221, 222, D14/224, 239, 496
CPC B60R 11/0217; G06F 1/1688; G10K 9/22; G10K 11/004; H03F 1/327; H04M 1/03; H04M 1/035; H04N 5/642; H04N 21/4852; H04R 1/02; H04R 1/06; H04R 1/021; H04R 1/025; H04R 1/026; H04R 1/028; H04R 1/105; H04R 1/323; H04R 1/403; H04R 1/2803; H04R 1/2834; H04R 5/02; H04R 7/20; H04R 9/06; H04R 9/025; H04R 2201/021; H04R 2400/00; H04R 2400/07; H04R 2499/11; H04R 2499/13; H04R 2499/15; H04S 3/00; H04S 7/30

See application file for complete search history.

(56) **References Cited**

U.S. PATENT DOCUMENTS

D211,541 S	*	6/1968	Sprik	D14/196
D253,412 S	*	11/1979	Takenaka	D14/196
D256,359 S	*	8/1980	Taguchi	D14/196
D540,300 S	*	4/2007	Amid-Hozour	D14/188
D552,594 S	*	10/2007	Bhavnani	D14/196
D658,628 S	*	5/2012	Hahner	D14/196
D728,515 S	*	5/2015	Lee	D14/209.1
D756,966 S	*	5/2016	Feng	D14/214
D771,017 S	*	11/2016	Sasaki	D14/214
D816,058 S	*	4/2018	Zeng	D14/155
D828,329 S	*	9/2018	Zeng	D14/214

* cited by examiner

Primary Examiner — Keli L Hill

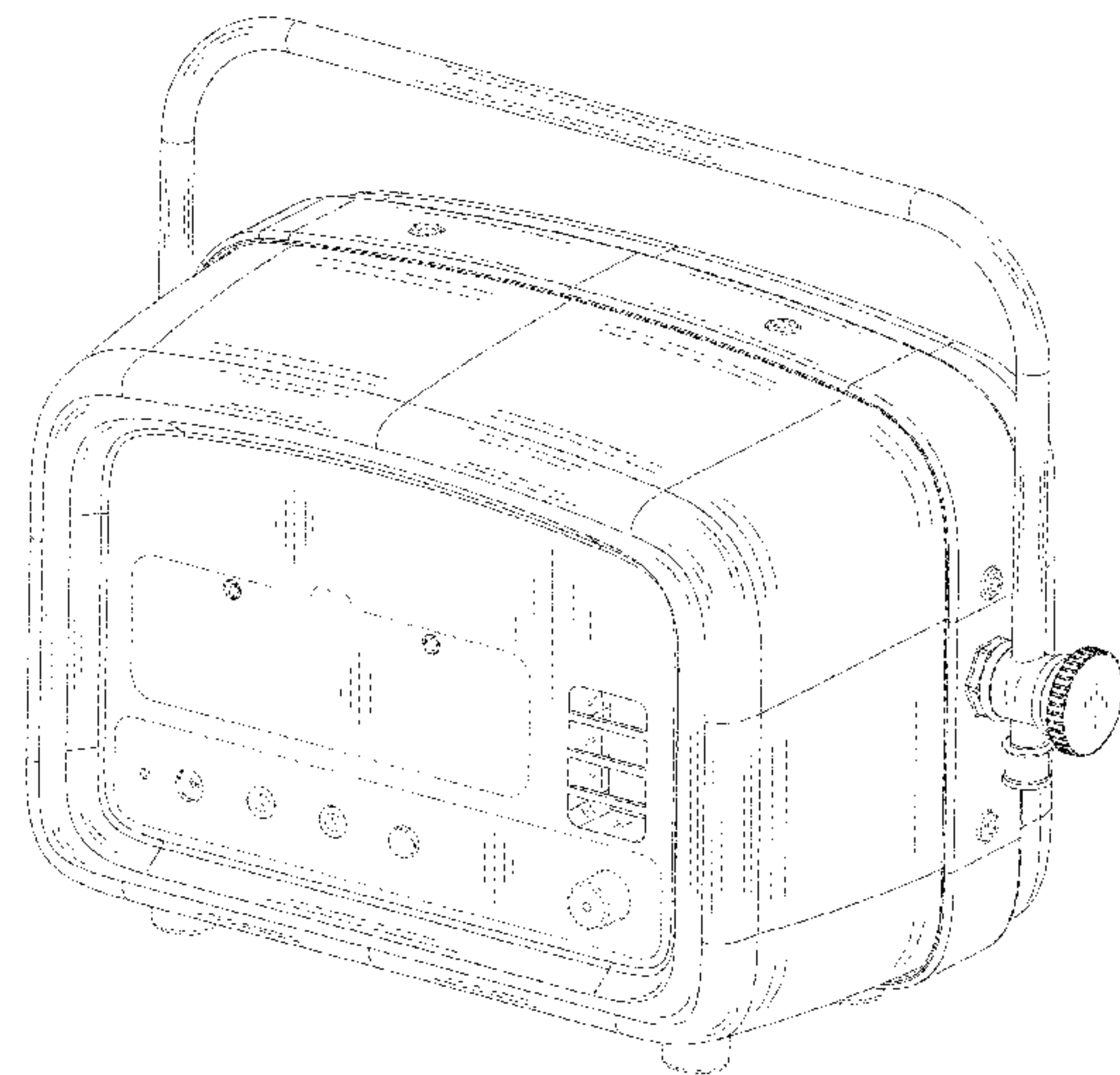
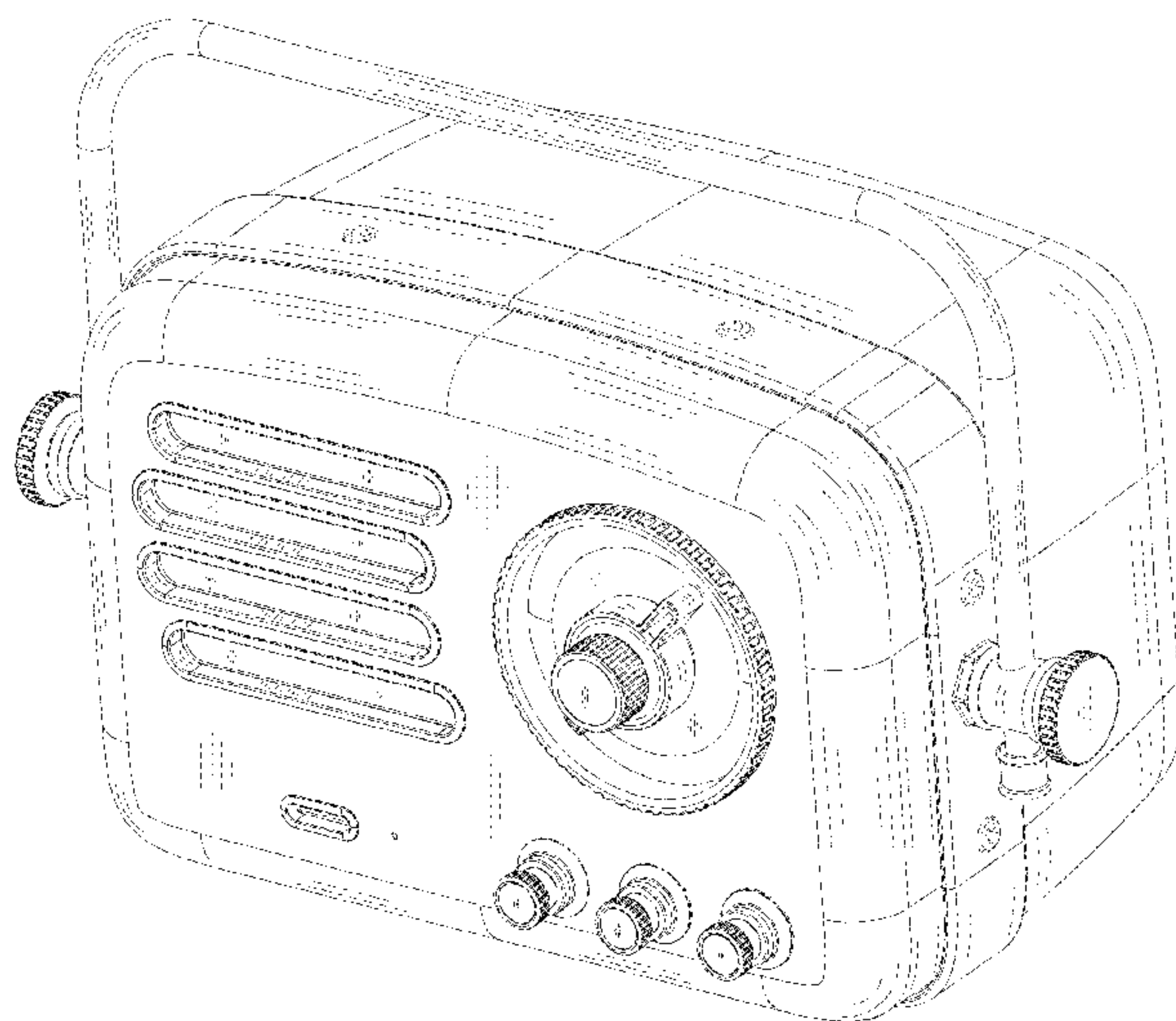
(57) **CLAIM**

The ornamental design for a portable FM radio and wireless speaker, as shown and described.

DESCRIPTION

FIG. 1 is a front, top and right side perspective view of a portable FM radio and wireless speaker showing my new design; FIG. 2 is a front, top and left side perspective view thereof; FIG. 3 is a rear, top and right side perspective view thereof; and, FIG. 4 is a rear, top and left side perspective view thereof. The broken lines in the drawings illustrate portions of the portable FM radio and wireless speaker which form no part of the claimed design.

1 Claim, 4 Drawing Sheets



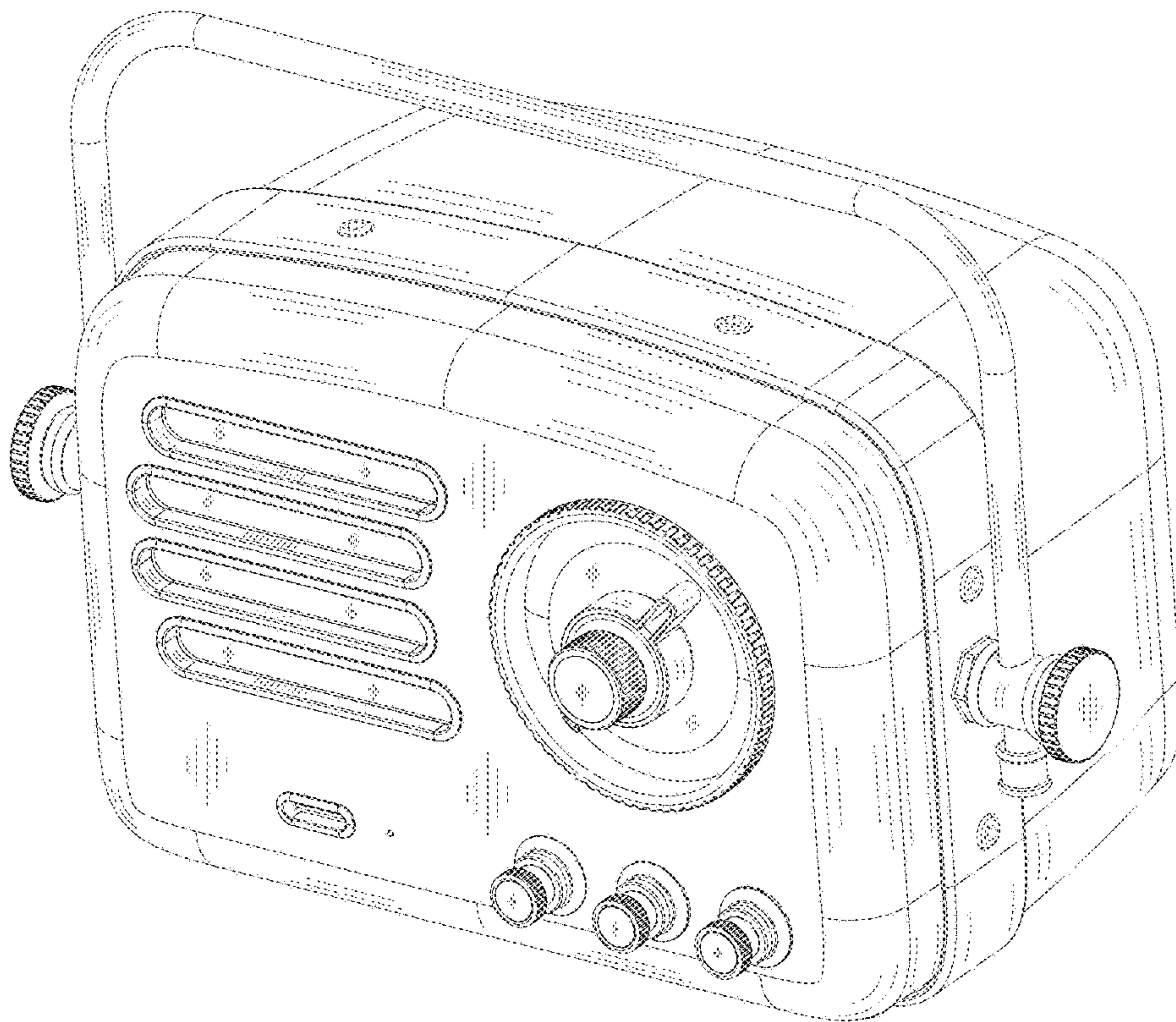


Fig.1

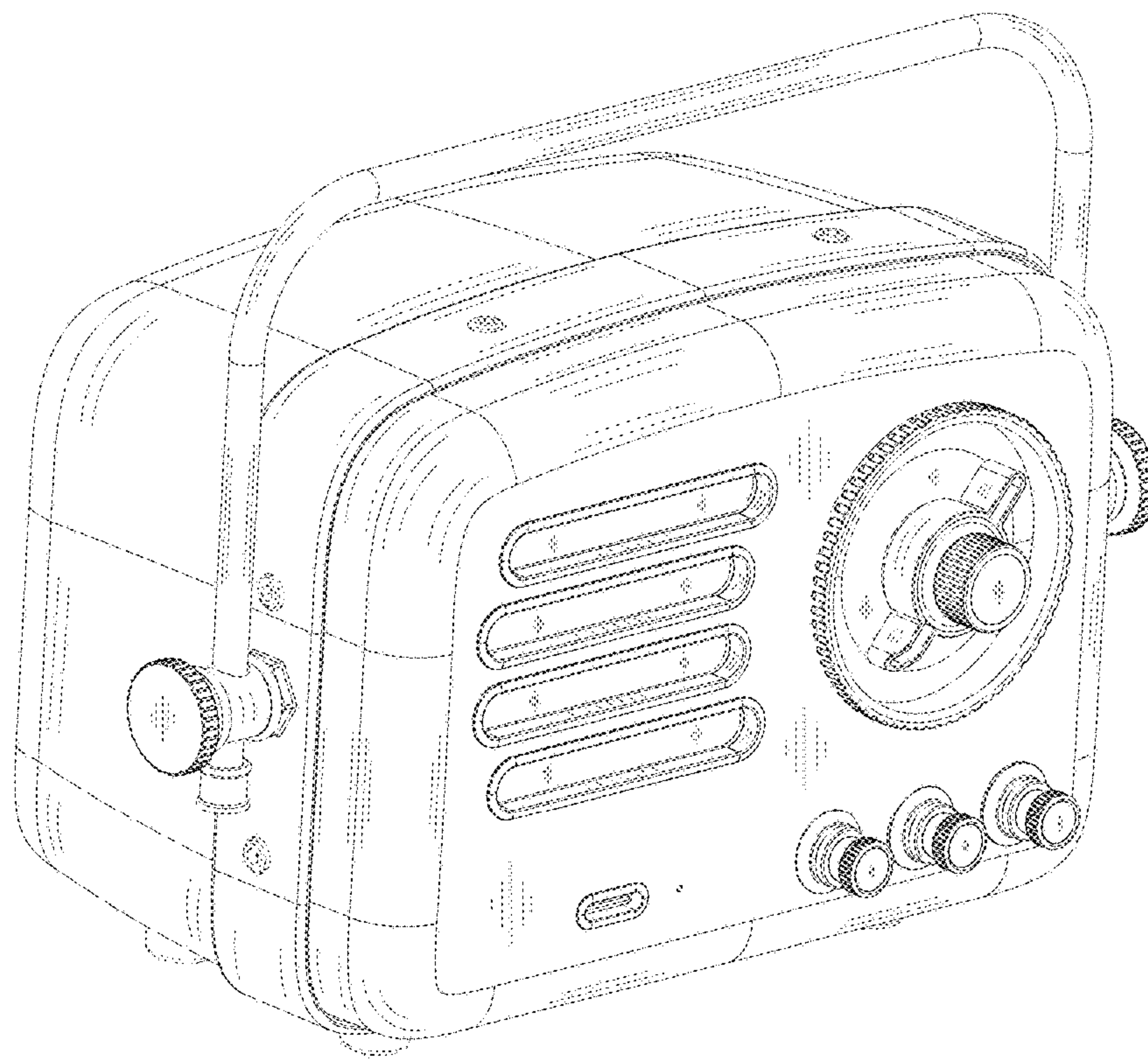


Fig.2

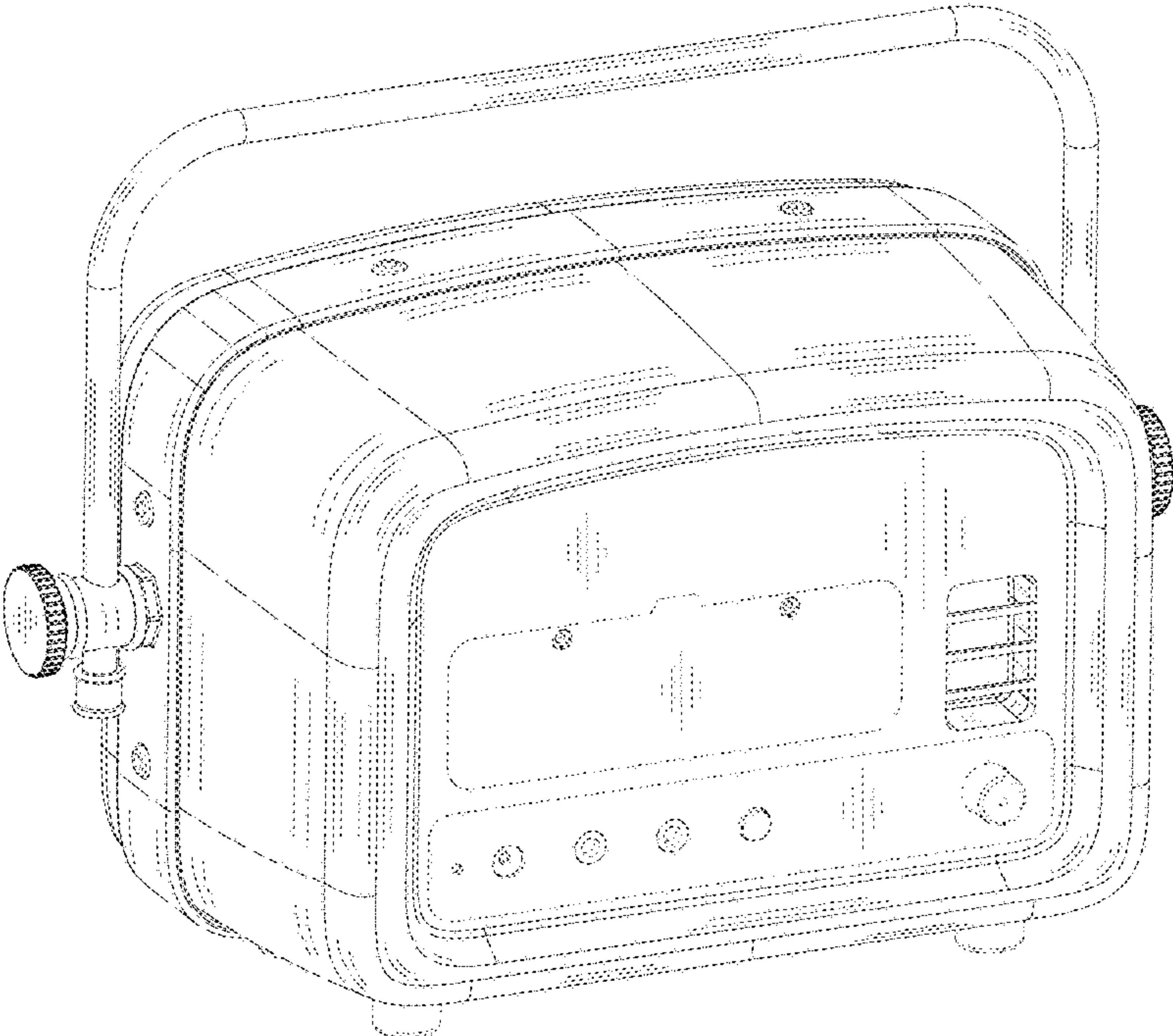


Fig.3

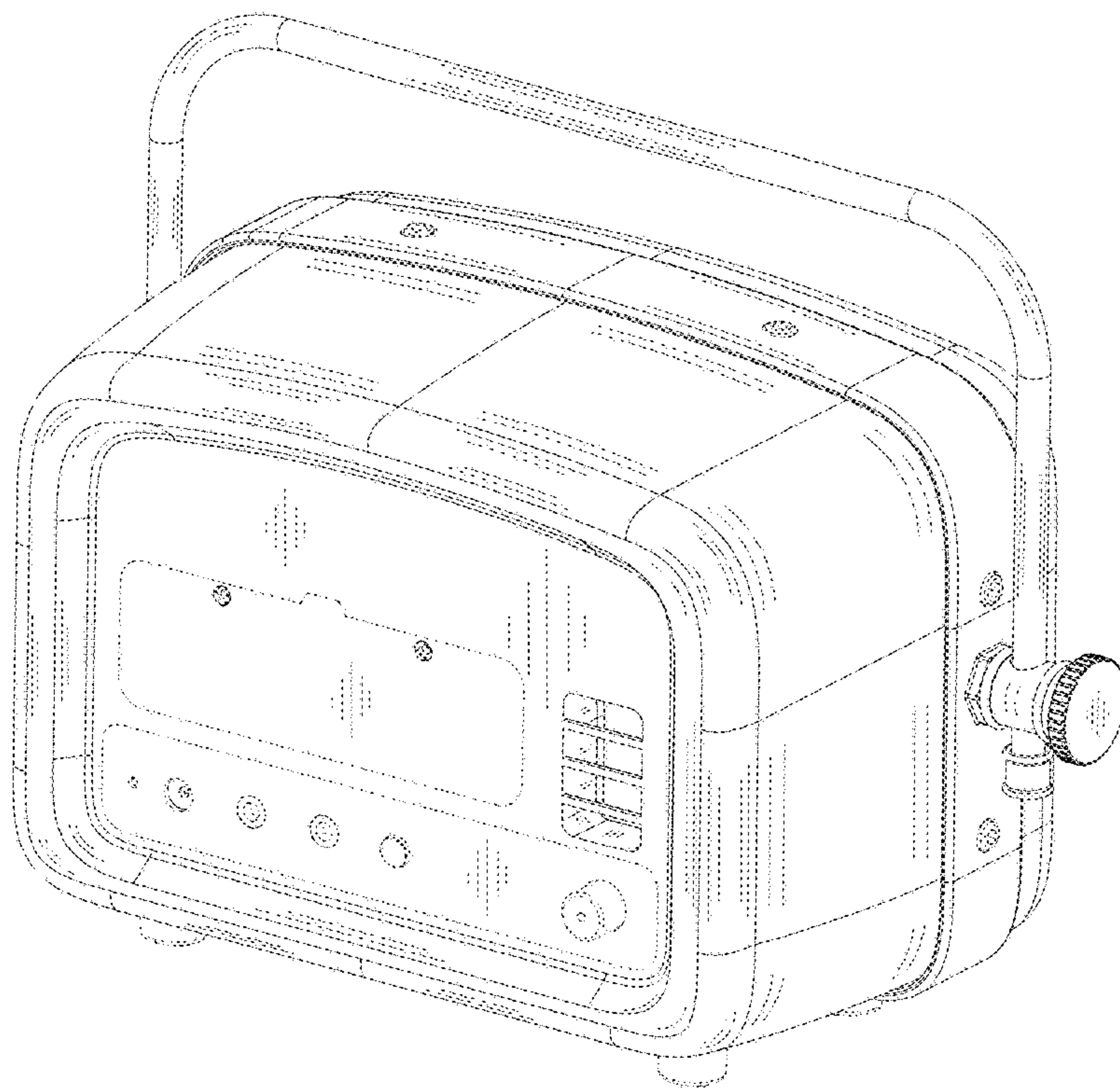


Fig.4